



US00D632565S

(12) **United States Design Patent**  
**Caldwell et al.**

(10) **Patent No.:** **US D632,565 S**  
(45) **Date of Patent:** **\*\* Feb. 15, 2011**

(54) **CONTAINER**

(75) Inventors: **Craig Caldwell**, Slippery Rock, PA  
(US); **John Marshall**, Pittsburgh, PA  
(US); **William Rasile**, Allison Park, PA  
(US)

(73) Assignee: **H.J. Heinz Company**, Pittsburgh, PA  
(US)

(\*\*) Term: **14 Years**

(21) Appl. No.: **29/364,530**

(22) Filed: **Jun. 24, 2010**

(51) **LOC (9) Cl.** ..... **09-07**

(52) **U.S. Cl.** ..... **D9/435**

(58) **Field of Classification Search** ..... D9/710,  
D9/701, 702, 707, 499, 457, 456, 455, 454,  
D9/438, 435, 434, 432, 431; 229/123.1;  
220/359.3, 359.1, 265, 259.2-259.4; 215/232;  
206/530

See application file for complete search history.

(56) **References Cited**

**U.S. PATENT DOCUMENTS**

2,705,579 A	4/1955	Mason
2,898,003 A	8/1959	Wilson et al.
3,315,801 A	4/1967	Lowry
3,370,757 A	2/1968	Foster
3,407,969 A	10/1968	Klein et al.
3,453,661 A	7/1969	Repko
3,660,960 A	5/1972	Inman
3,722,754 A	3/1973	Struble
3,873,735 A	3/1975	Chalin et al.
4,090,660 A	5/1978	Schram et al.
4,301,926 A	11/1981	Chung
4,463,869 A	8/1984	Lewis
4,566,613 A	1/1986	Anscomb
4,648,506 A	3/1987	Campbell

4,673,085 A	6/1987	Badouard et al.
4,717,046 A	1/1988	Brogli
4,762,124 A	8/1988	Kerch et al.
4,765,463 A	8/1988	Chanel
4,863,036 A	9/1989	Heijenga
4,871,091 A	10/1989	Preziosi
4,872,597 A	10/1989	Hanafusa
4,921,137 A	5/1990	Heijenga
4,963,045 A	10/1990	Willcox
4,989,419 A	2/1991	Brando et al.
D317,690 S	6/1991	Thomsen

(Continued)

**FOREIGN PATENT DOCUMENTS**

FR 2801570 6/2001

(Continued)

*Primary Examiner*—Susan Bennett Hattan

(74) *Attorney, Agent, or Firm*—Duane Morris LLP

(57) **CLAIM**

The ornamental design for a container, as shown and described.

**DESCRIPTION**

FIG. 1 is a perspective view of the container;

FIG. 2 is a top view of the container;

FIG. 3 a bottom view of the container;

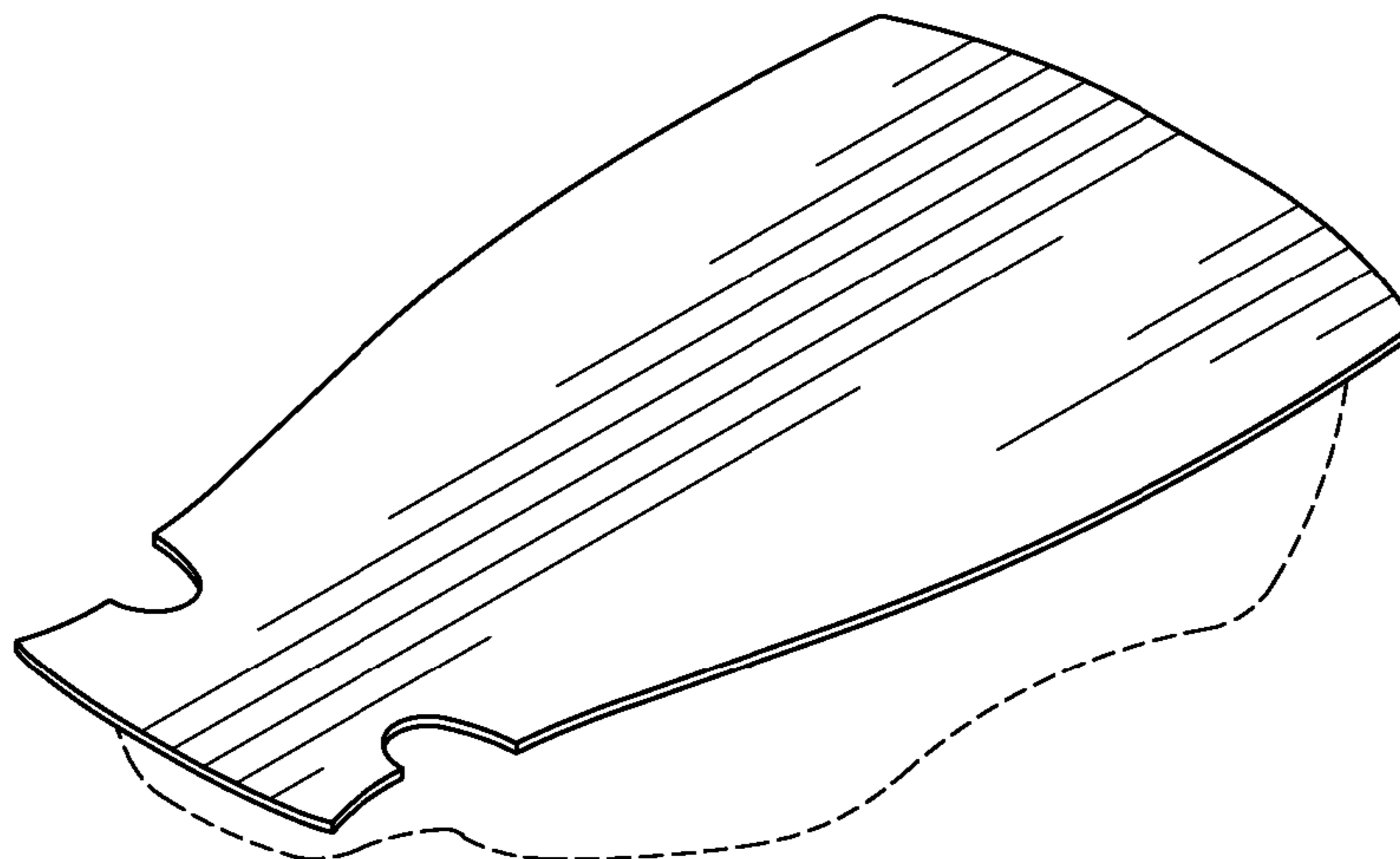
FIG. 4 is a right-side view of the container, the left-side view being a mirror image thereof;

FIG. 5 is a front view of the container; and,

FIG. 6 is a rear view of the container.

The broken lines in the figures depict environment only, and form no part of the claimed design. Additionally, in FIG. 3, the broken lines depict the bounds of the claim and form no part of the claim.

**1 Claim, 2 Drawing Sheets**



# US D632,565 S

## U.S. PATENT DOCUMENTS

D318,795 S 8/1991 Christine  
 5,038,974 A 8/1991 DaCosta  
 5,111,932 A 5/1992 Campbell  
 5,141,136 A 8/1992 Tignor  
 5,156,329 A 10/1992 Farrell  
 D336,034 S \* 6/1993 Rebilas ..... D9/709  
 5,235,149 A 8/1993 Boehrer  
 5,277,920 A 1/1994 Weaver, Jr.  
 D354,906 S 1/1995 Lane, Jr. et al.  
 5,411,178 A 5/1995 Roders et al.  
 D362,595 S 9/1995 Schneider  
 5,482,172 A 1/1996 Braddock  
 5,529,224 A 6/1996 Chan et al.  
 5,546,728 A 8/1996 Dekeyser  
 5,613,517 A 3/1997 Handler  
 5,662,245 A 9/1997 Grant  
 5,706,961 A 1/1998 Morano  
 5,799,838 A 9/1998 Miller  
 5,806,726 A 9/1998 Ho  
 5,839,609 A 11/1998 Zakensberg  
 5,996,845 A 12/1999 Chan  
 6,007,264 A 12/1999 Koptis  
 6,051,263 A 4/2000 Gorlich et al.  
 6,062,413 A 5/2000 Redmond  
 6,085,942 A 7/2000 Redmond  
 6,089,375 A 7/2000 Johnson et al.  
 D435,440 S 12/2000 Croft et al.  
 6,220,311 B1 4/2001 Litto  
 D442,078 S 5/2001 Fuquen  
 D447,054 S \* 8/2001 Hill ..... D9/434  
 D448,661 S 10/2001 Kerr et al.  
 6,357,631 B1 3/2002 Zaksenberg  
 6,419,118 B1 7/2002 Rees et al.  
 6,435,374 B1 8/2002 Tabaroni  
 6,460,781 B1 10/2002 Garcia et al.  
 D468,630 S \* 1/2003 Ambrose ..... D9/710  
 6,557,731 B1 5/2003 Lyon et al.  
 6,601,737 B1 8/2003 Sandler  
 6,648,140 B2 11/2003 Petricca  
 6,663,019 B2 12/2003 Garcia et al.  
 D484,972 S 1/2004 Steele, IV et al.  
 6,702,462 B2 3/2004 Richardson  
 6,811,057 B2 11/2004 Duquet et al.  
 6,854,888 B1 2/2005 Brown et al.  
 D503,093 S \* 3/2005 Burr et al. .... D9/455  
 D503,094 S \* 3/2005 Burr et al. .... D9/455  
 D503,095 S \* 3/2005 Burr et al. .... D9/455  
 D503,096 S \* 3/2005 Burr et al. .... D9/455  
 D503,097 S \* 3/2005 Burr et al. .... D9/455  
 D503,098 S \* 3/2005 Burr et al. .... D9/455  
 D503,099 S \* 3/2005 Burr et al. .... D9/455  
 D503,100 S \* 3/2005 Burr et al. .... D9/455  
 D503,101 S \* 3/2005 Burr et al. .... D9/455

D503,102 S \* 3/2005 Burr et al. .... D9/455  
 D503,103 S \* 3/2005 Burr et al. .... D9/455  
 D503,104 S \* 3/2005 Burr et al. .... D9/455  
 D503,105 S \* 3/2005 Burr et al. .... D9/455  
 D503,106 S \* 3/2005 Burr et al. .... D9/455  
 D503,107 S \* 3/2005 Burr et al. .... D9/455  
 D503,108 S \* 3/2005 Burr et al. .... D9/455  
 D503,109 S \* 3/2005 Burr et al. .... D9/455  
 D503,110 S \* 3/2005 Burr et al. .... D9/455  
 D503,111 S \* 3/2005 Burr et al. .... D9/455  
 D503,338 S \* 3/2005 Burr et al. .... D9/455  
 D503,339 S \* 3/2005 Burr et al. .... D9/455  
 D503,340 S \* 3/2005 Burr et al. .... D9/455  
 6,863,178 B2 3/2005 Sokolsky et al.  
 D503,618 S \* 4/2005 Burr et al. .... D9/455  
 D504,820 S \* 5/2005 Burr et al. .... D9/455  
 D505,861 S 6/2005 Risgalla  
 6,955,028 B1 10/2005 Dunaway  
 7,004,322 B1 2/2006 Bartoli  
 D537,341 S 2/2007 Liebe et al.  
 RE39,520 E 3/2007 Hess, III et al.  
 D548,613 S \* 8/2007 Miller et al. .... D9/710  
 D573,037 S \* 7/2008 Murray ..... D9/710  
 D580,782 S 11/2008 Murray  
 D580,783 S \* 11/2008 Murray ..... D9/707  
 D584,168 S \* 1/2009 Murray ..... D9/710  
 7,506,762 B2 3/2009 Nelson et al.  
 D598,299 S 8/2009 Isogai et al.  
 D606,882 S \* 12/2009 Sharp et al. .... D9/707  
 D613,159 S \* 4/2010 Espano ..... D9/435  
 D614,491 S \* 4/2010 Rhoad ..... D9/457  
 D615,401 S \* 5/2010 Ouimette et al. .... D9/457  
 D619,018 S \* 7/2010 Karay et al. .... D9/702  
 D620,809 S \* 8/2010 Caldwell et al. .... D9/707  
 D623,072 S \* 9/2010 Caldwell et al. .... D9/707  
 D623,073 S \* 9/2010 Caldwell et al. .... D9/707  
 D623,074 S \* 9/2010 Caldwell et al. .... D9/707  
 2001/0045374 A1 11/2001 Selker  
 2002/0100760 A1 8/2002 Rinks  
 2002/0148855 A1 10/2002 Sokolsky et al.  
 2003/0015605 A1 1/2003 Garcia et al.  
 2003/0183637 A1 10/2003 Zappa et al.  
 2006/0278562 A1 12/2006 Van Puijenbroek  
 2007/0034647 A1 2/2007 Patrick  
 2007/0164045 A1 7/2007 Wydler et al.  
 2007/0228073 A1 10/2007 Mazzarino  
 2010/0008602 A1 1/2010 Risgalla

## FOREIGN PATENT DOCUMENTS

WO WO9728054 8/1997  
 WO WO02070352 9/2002  
 WO WO2004063048 7/2004  
 WO WO2007126817 11/2007

\* cited by examiner

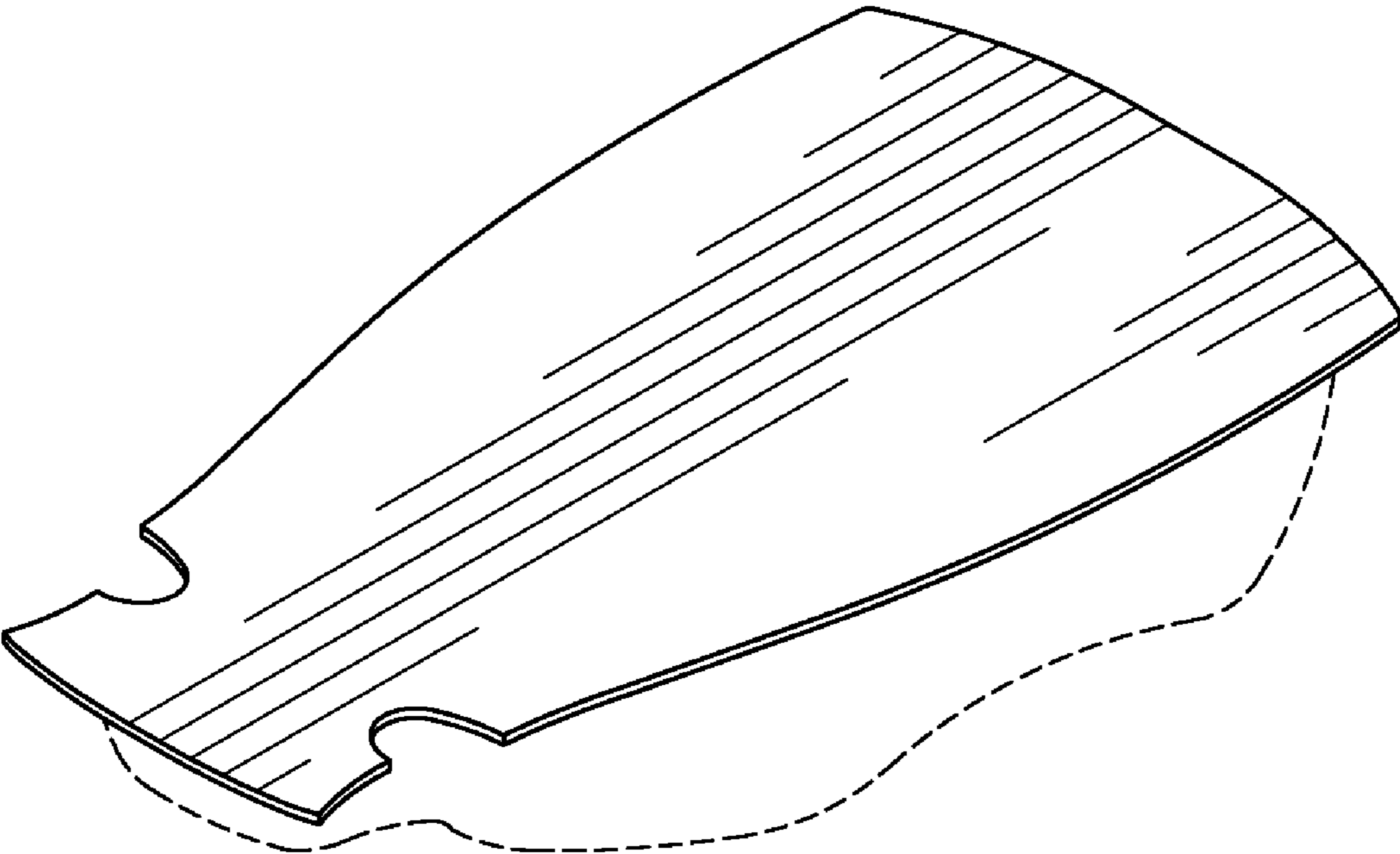


FIG. 1

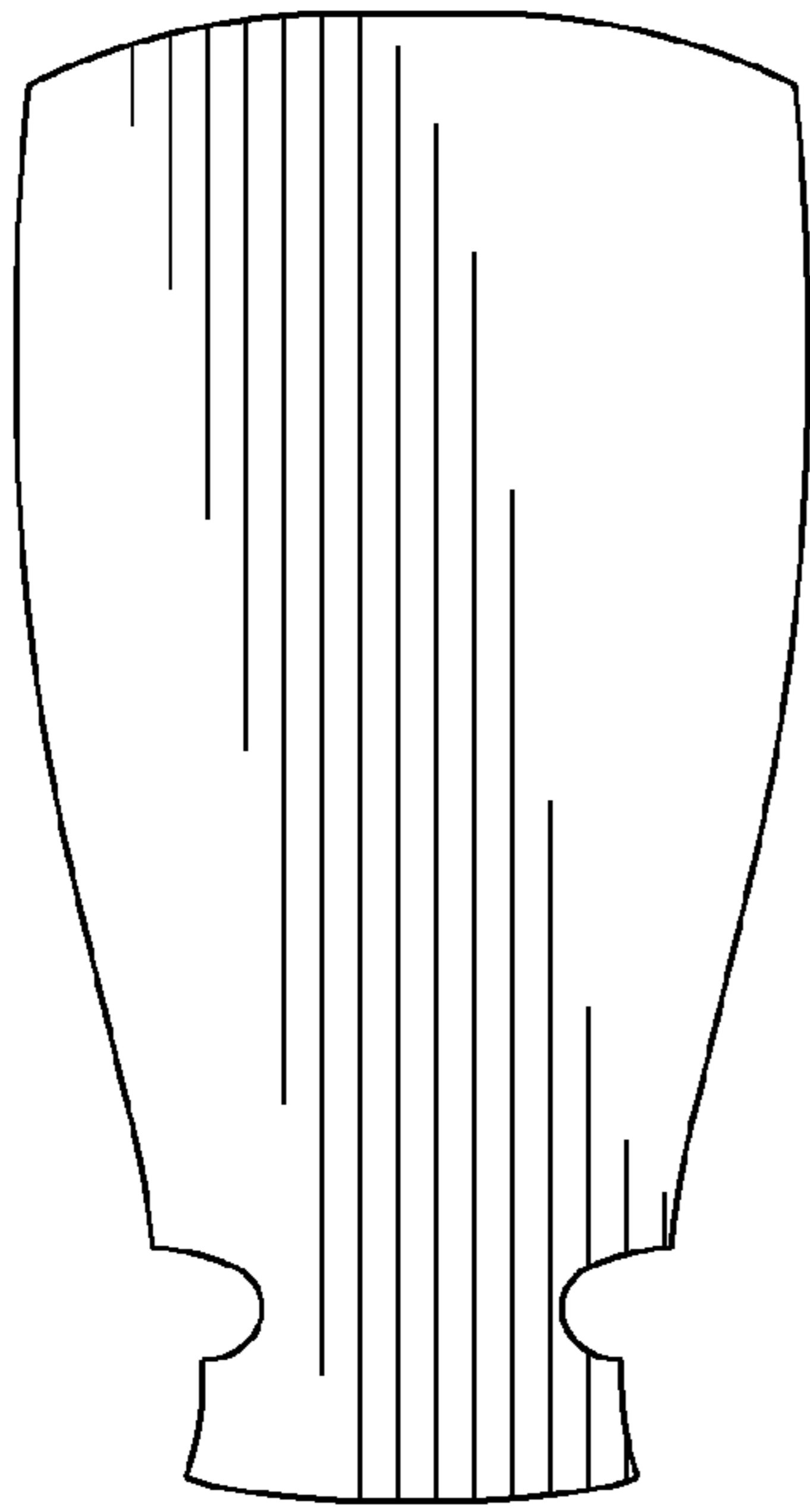


FIG. 2

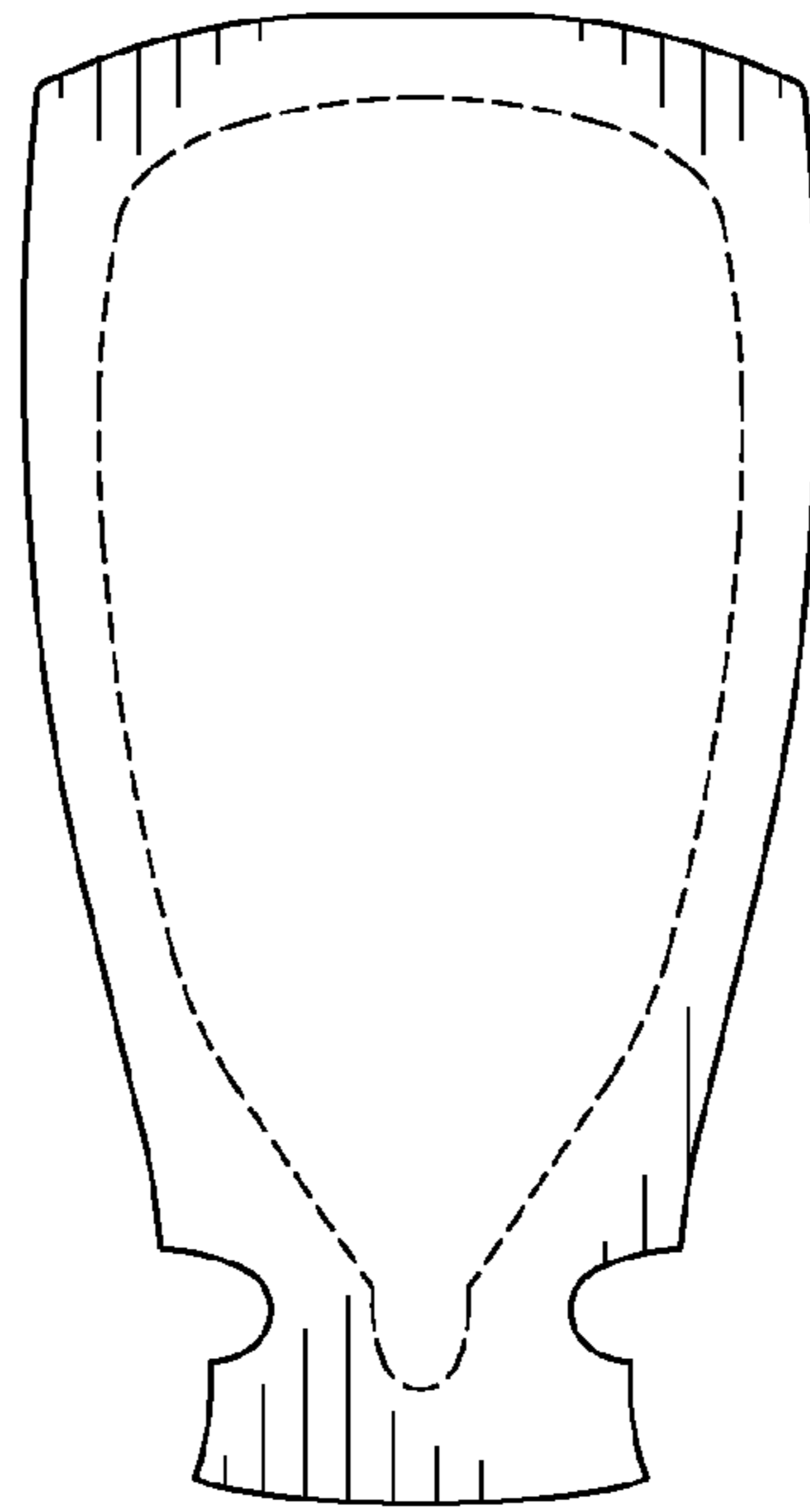


FIG. 3

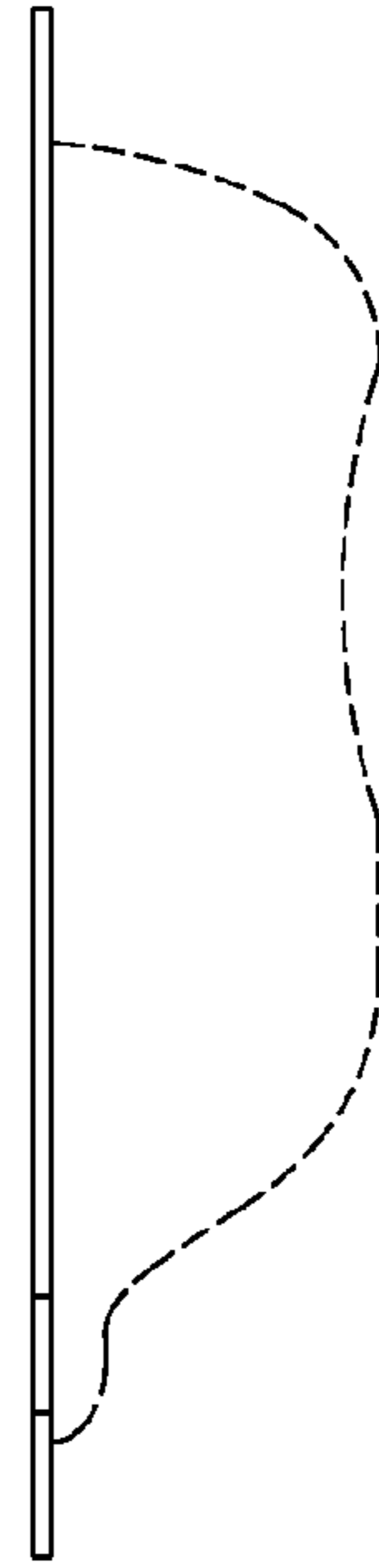


FIG. 4

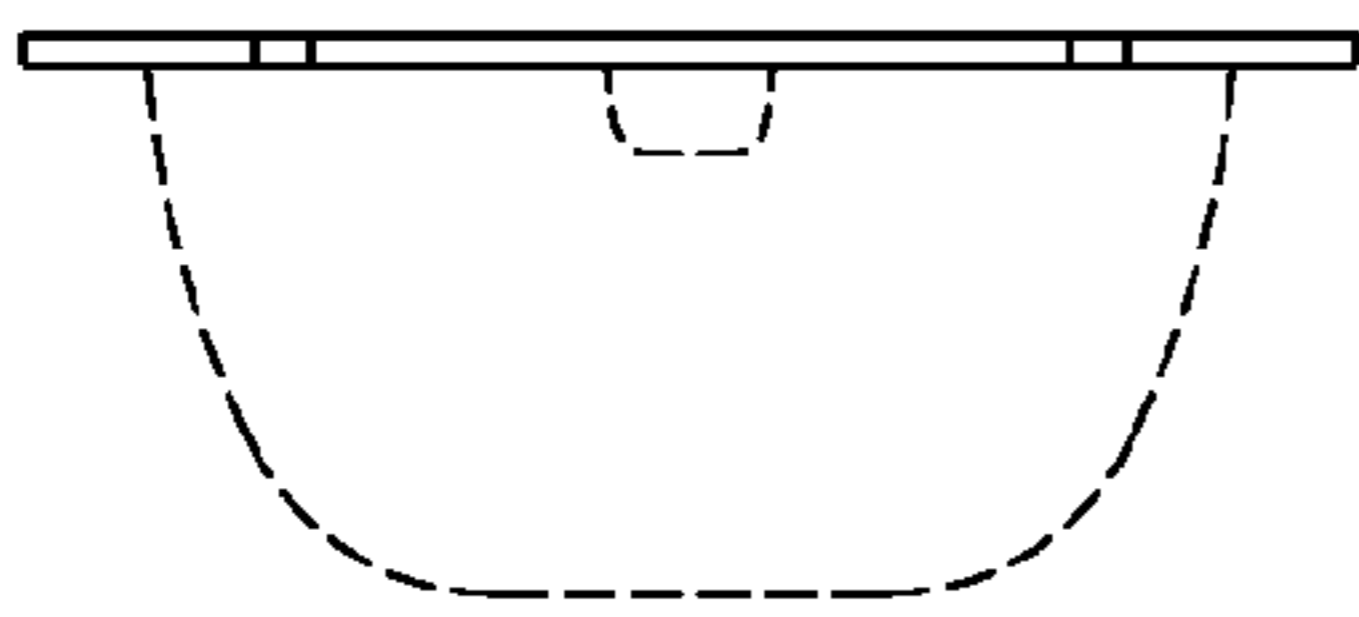


FIG. 5

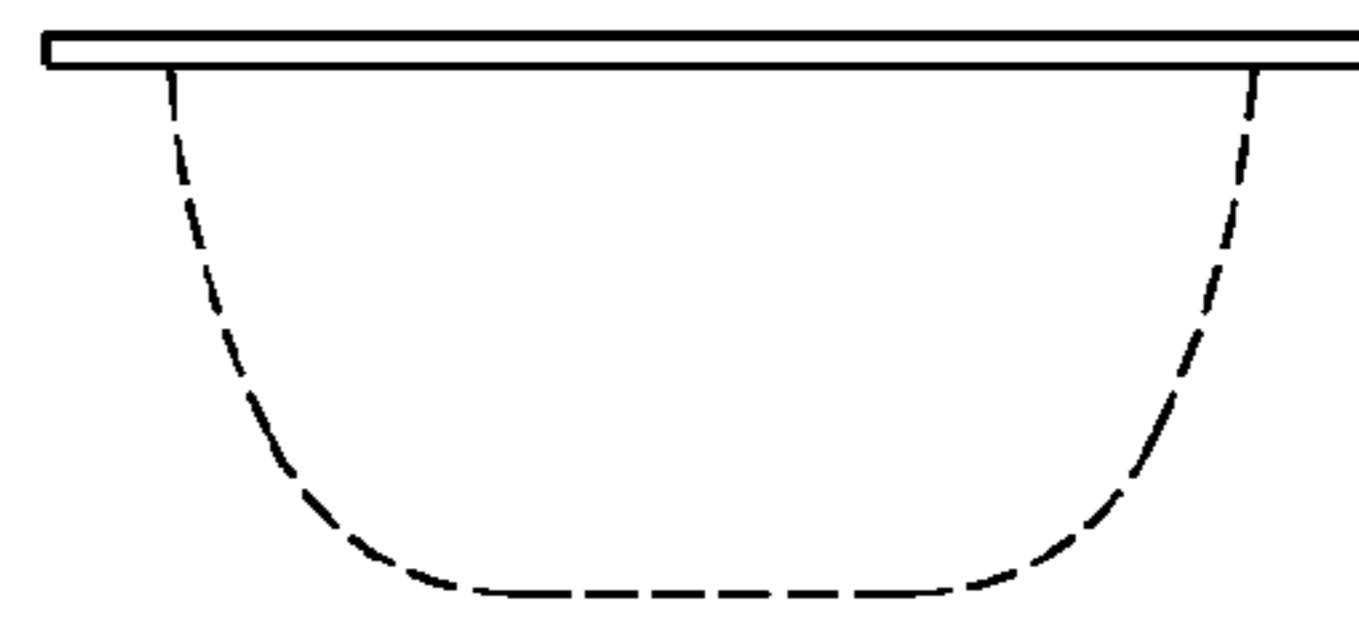


FIG. 6