



US00D632563S

(12) **United States Design Patent**  
**Sitabkhan et al.**

(10) **Patent No.:** **US D632,563 S**

(45) **Date of Patent:** **\*\* Feb. 15, 2011**

(54) **LID**

**DESCRIPTION**

(75) Inventors: **Arif Sitabkhan**, Chicago, IL (US); **Steve Grider**, West Dundee, IL (US); **Ken Lundgreen**, Algonquin, IL (US); **Tara Marie Marchionna**, New York, NY (US); **Kirsten Climer**, Brooklyn, NY (US)

(73) Assignee: **WKI Holding Company, Inc.**, Rosemont, IL (US)

(\*\*) Term: **14 Years**

(21) Appl. No.: **29/360,168**

(22) Filed: **Apr. 21, 2010**

(51) **LOC (9) Cl.** ..... **09-07**

(52) **U.S. Cl.** ..... **D9/435; D9/438**

(58) **Field of Classification Search** ..... D9/710,  
D9/701, 702, 707, 499, 457, 456, 455, 454,  
D9/438, 435, 434, 432, 431; 229/123.1;  
220/359.3, 359.1, 265, 259.2–259.4; 215/232;  
206/530

See application file for complete search history.

(56) **References Cited**

**U.S. PATENT DOCUMENTS**

771,960 A \* 10/1904 Adams ..... 215/298

(Continued)

*Primary Examiner*—Susan Bennett Hattan

(74) *Attorney, Agent, or Firm*—McDermott Will & Emery LLP

(57) **CLAIM**

We claim the ornamental design for a lid, as shown and described.

FIG. 1 is a perspective view of container with attached lid, the attached lid being a lid according to the new design shown in its environment of use;

FIG. 2 is a perspective view of the lid shown in FIG. 1;

FIG. 3 is a top view of the lid shown in FIG. 1;

FIG. 4 is a bottom view of the lid shown in FIG. 1;

FIG. 5 is a rear view of the lid shown in FIG. 1;

FIG. 6 is a front view of the lid shown in FIG. 1;

FIG. 7 is a right side elevation view of the lid shown in FIG. 1;

FIG. 8 is a left side elevation view of the lid shown in FIG. 1;

FIG. 9 is a cross-sectional view of the lid shown in FIG. 2 as taken through the line 9—9;

FIG. 10 is a perspective view of a second embodiment of a container with attached lid, the attached lid being a lid according to the new design shown in its environment of use;

FIG. 11 is a perspective view of the lid shown in FIG. 10;

FIG. 12 is a top view of the lid shown in FIG. 10;

FIG. 13 is a bottom view of the lid shown in FIG. 10;

FIG. 14 is a rear view of the lid shown in FIG. 10;

FIG. 15 is a front view of the lid shown in FIG. 10;

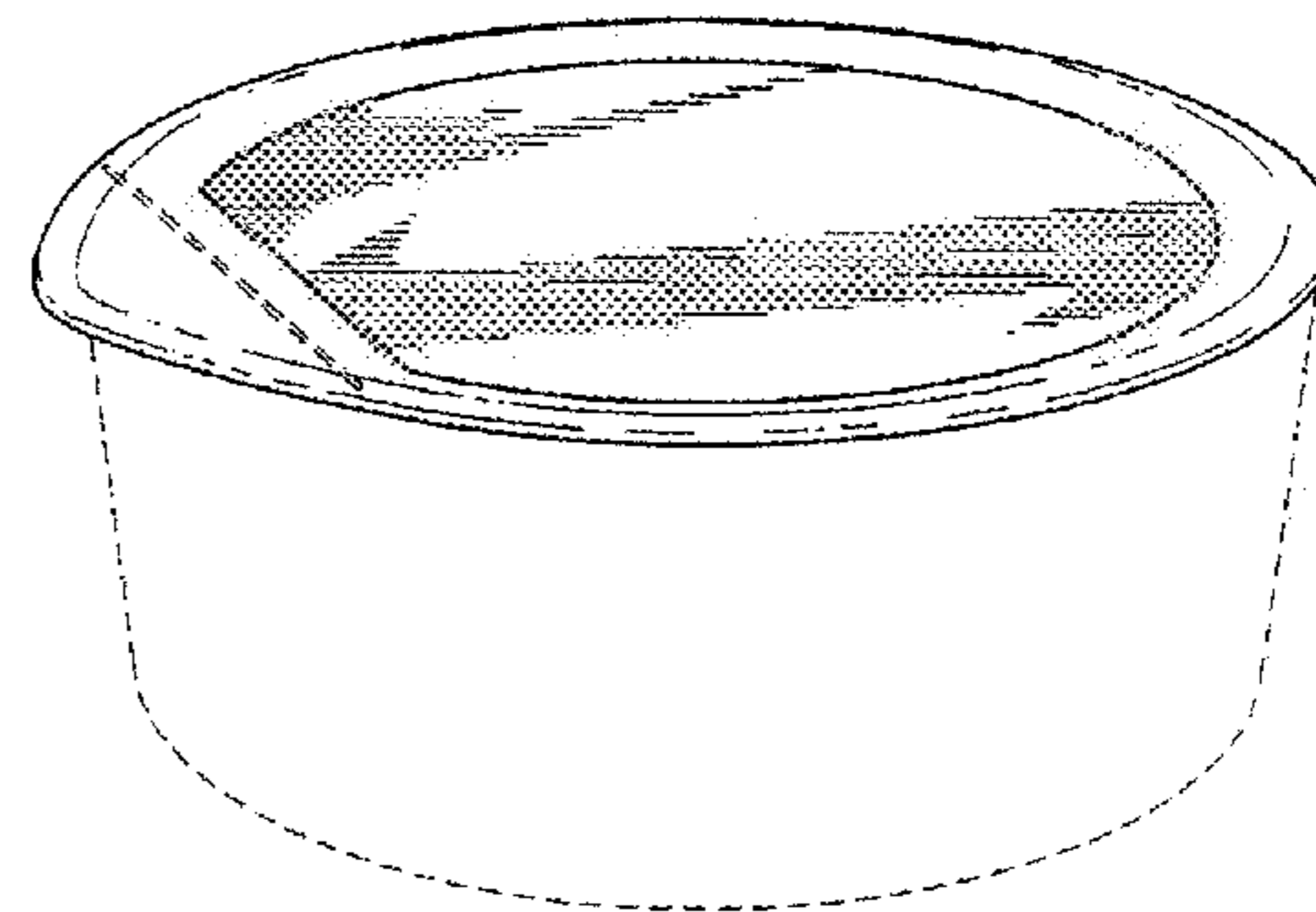
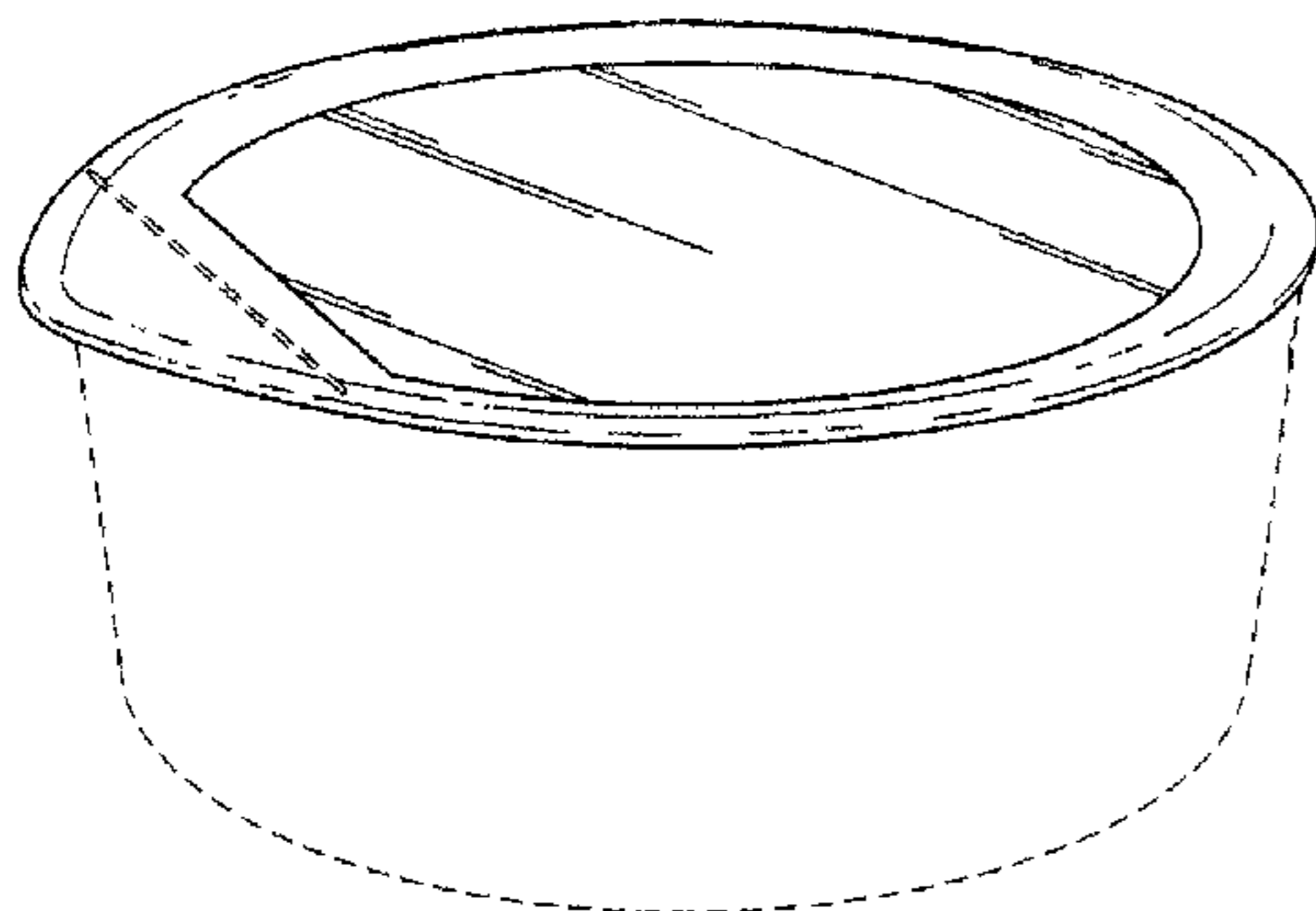
FIG. 16 is a right side elevation view of the lid shown in FIG. 10;

FIG. 17 is a left side elevation view of the lid shown in FIG. 10; and,

FIG. 18 is a cross-sectional view of the lid shown in FIG. 11 as taken through the line 18—18;

Features shown in broken lines form no part of the claimed design.

**1 Claim, 8 Drawing Sheets**



# US D632,563 S

Page 2

## U.S. PATENT DOCUMENTS

1,622,658	A *	3/1927	McBurney .....	215/298	D448,606	S	10/2001	Conti	
2,604,976	A *	7/1952	Sarg .....	206/541	D448,969	S	10/2001	Conti	
2,898,003	A *	8/1959	Wilson et al. ....	222/107	D450,537	S	11/2001	Hayes	
3,391,847	A *	7/1968	Christine et al. ....	229/123.1	D461,678	S	8/2002	Hayes	
3,391,852	A *	7/1968	Waldrop .....	229/123.2	6,460,720	B1 *	10/2002	Massey et al. ....	220/359.1
D234,026	S *	12/1974	Winter .....	D24/224	6,474,490	B1 *	11/2002	Seibel et al. ....	215/232
3,964,670	A *	6/1976	Amneus .....	229/123.1	D475,573	S	6/2003	Jalet et al.	
4,020,969	A *	5/1977	Ando .....	220/359.2	D478,469	S	8/2003	Roth et al.	
4,209,126	A *	6/1980	Elias .....	229/123.2	D498,389	S	11/2004	Tollman	
D258,350	S *	2/1981	Scott et al. ....	D9/438	D507,155	S	7/2005	Gosen et al.	
D259,103	S *	5/1981	Scott et al. ....	D9/438	7,097,067	B2	8/2006	Scarabelli et al.	
D261,620	S *	11/1981	Scott et al. ....	D9/438	D536,251	S *	2/2007	Richards .....	D9/454
D265,798	S *	8/1982	Ossola .....	D9/429	D537,300	S	2/2007	Kim	
D276,218	S *	11/1984	Baldwin et al. ....	D9/499	D539,098	S	3/2007	Tucker et al.	
D282,616	S	2/1986	Gallagher et al.		7,299,941	B2	11/2007	McMahon, III et al.	
D290,346	S *	6/1987	Siegel .....	D9/438	D566,483	S	4/2008	Tucker et al.	
D296,525	S *	7/1988	Siegel .....	D9/443	D586,179	S	2/2009	Furlong	
4,863,036	A *	9/1989	Heijenga .....	229/123.1	D591,149	S *	4/2009	Bonner et al. ....	D9/434
4,981,229	A *	1/1991	Lanham .....	215/232	D604,157	S *	11/2009	Reiterer et al. ....	D9/416
5,002,189	A *	3/1991	Sahi .....	229/123.2	D612,196	S	3/2010	Furlong	
5,688,544	A	11/1997	Bolton et al.		7,740,730	B2 *	6/2010	Schedl et al. ....	156/290
D407,640	S *	4/1999	Nelson et al. ....	D9/710	7,789,262	B2 *	9/2010	Niederer et al. ....	220/359.3
5,893,477	A	4/1999	Kaneko et al.		2001/0023870	A1 *	9/2001	Mihalov et al. ....	220/359.3
D415,652	S	10/1999	Loew et al.		2003/0019878	A1	1/2003	Scarabelli et al.	
D417,817	S	12/1999	Loew et al.		2003/0160056	A1	8/2003	Moon et al.	
D445,641	S	7/2001	Conti		2004/0013827	A1 *	1/2004	Zuser et al. ....	428/34.1
D445,673	S *	7/2001	Richardson .....	D9/710	2005/0218143	A1 *	10/2005	Niederer et al. ....	220/359.2
D445,674	S *	7/2001	Pritchett .....	D9/707	2007/0131750	A1 *	6/2007	Drummond et al. ....	229/123.1
D445,687	S *	7/2001	Gilbertson .....	D9/454	2007/0164094	A1 *	7/2007	Takahashi .....	229/123.1
D446,117	S	8/2001	Conti		2007/0164095	A1 *	7/2007	Schuetz .....	229/123.1
					2008/0203092	A1	8/2008	Stamper et al.	

\* cited by examiner

FIG. 1

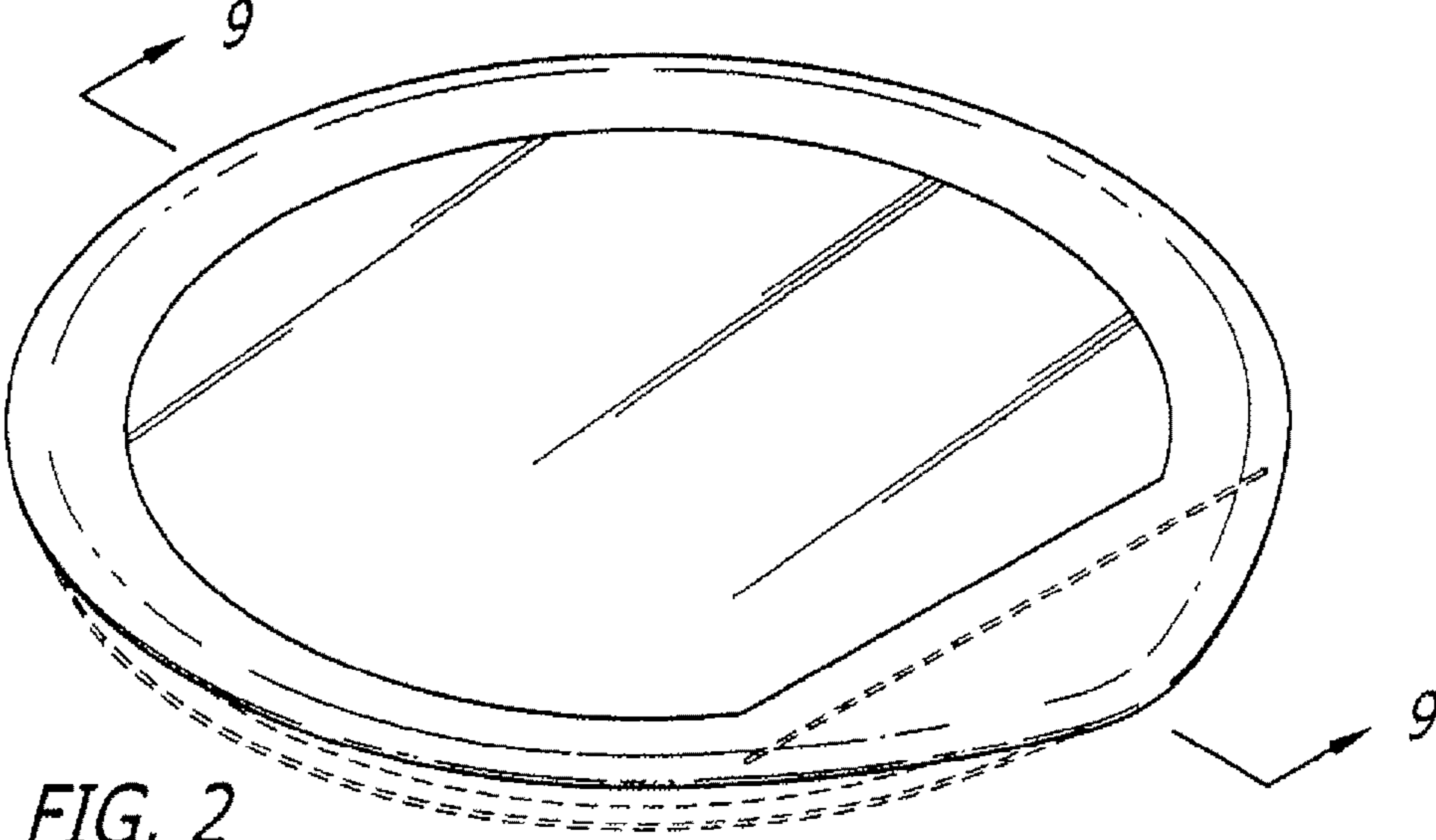
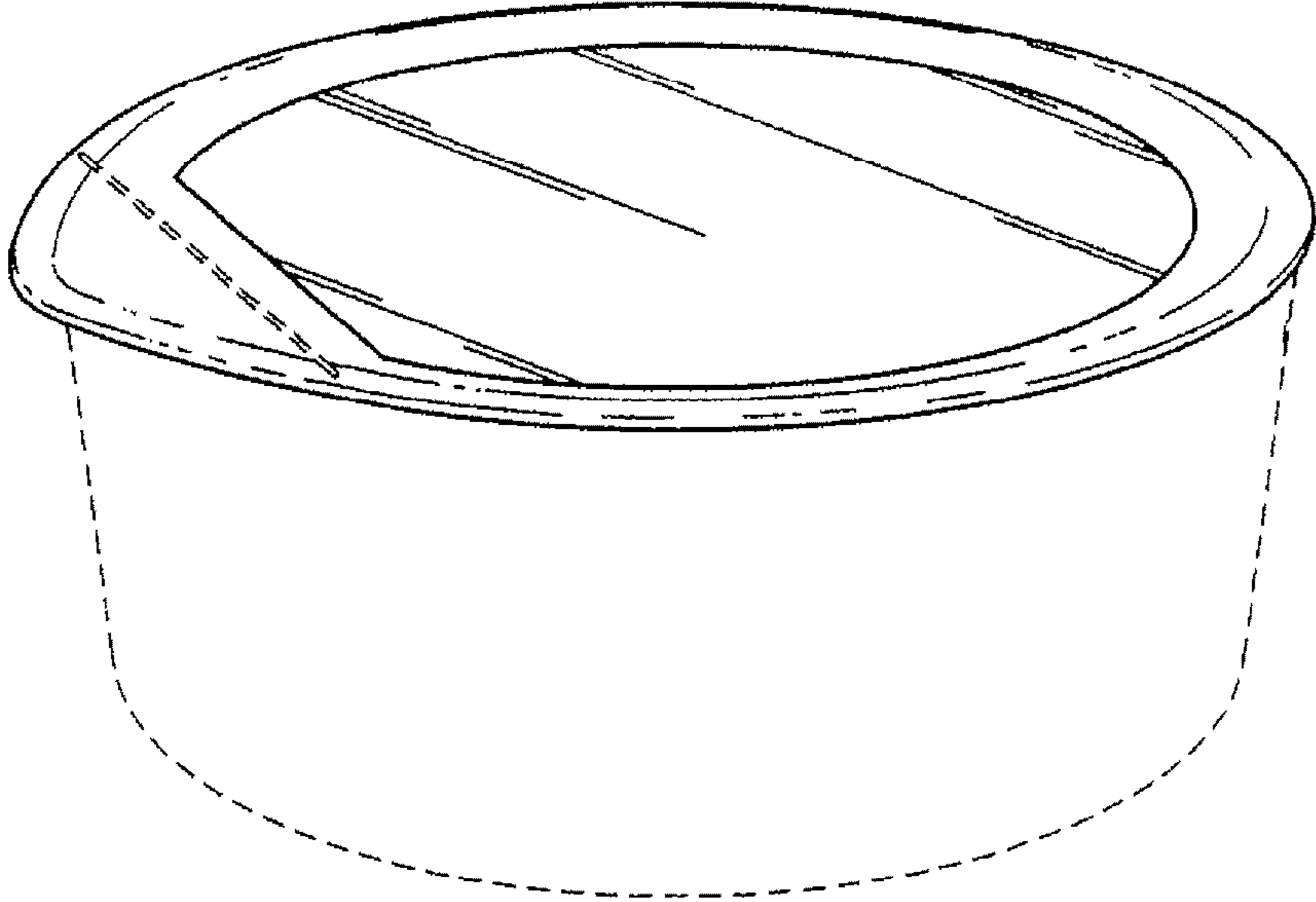


FIG. 2



FIG. 3

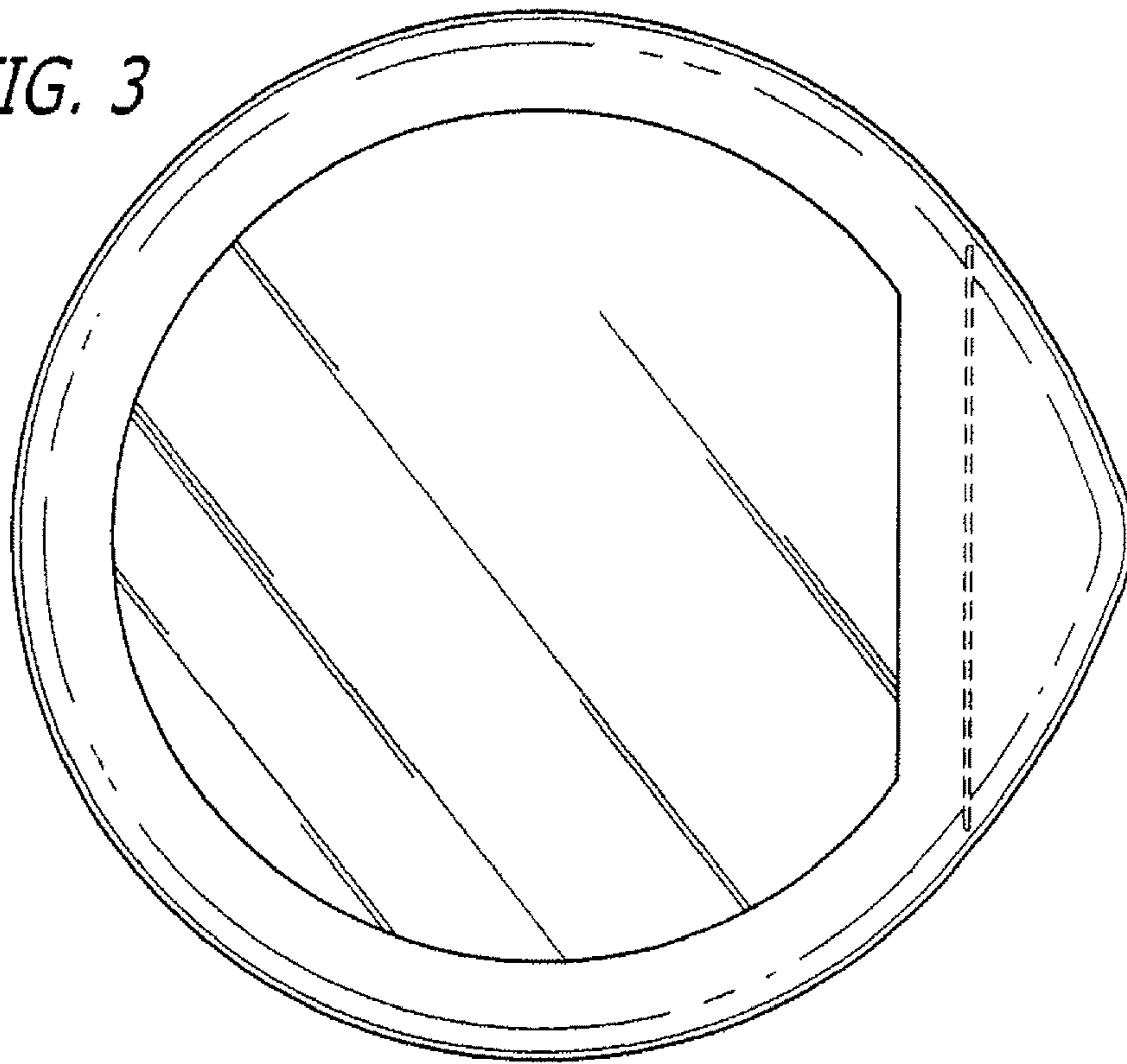
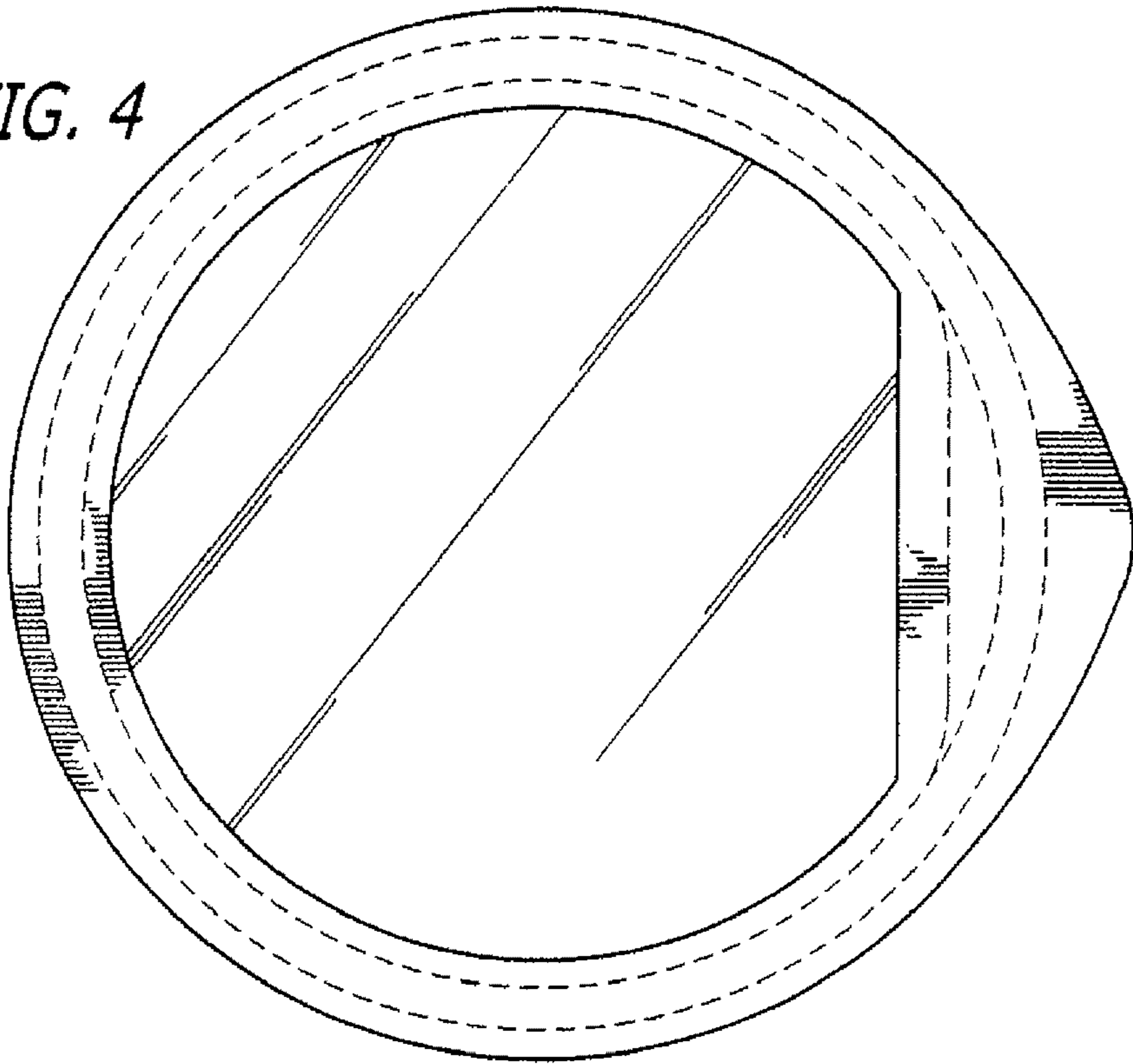
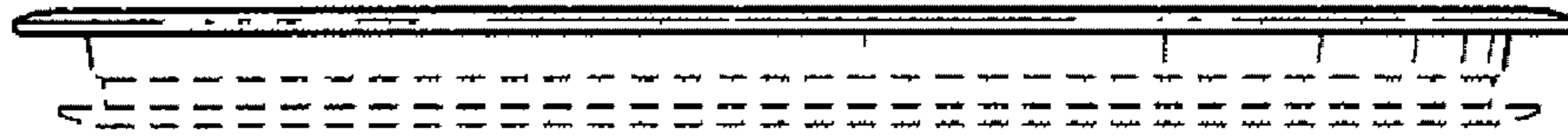


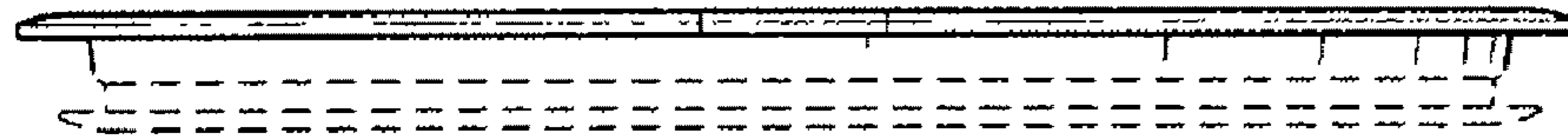
FIG. 4



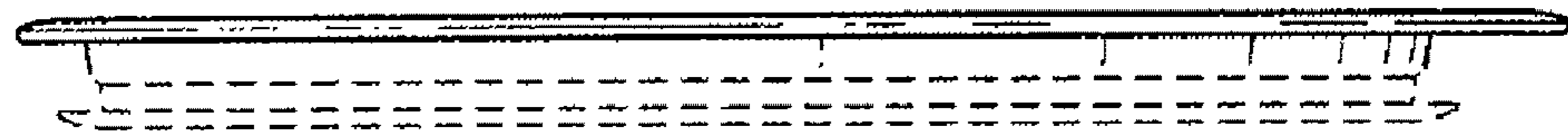
*FIG. 5*



*FIG. 6*



*FIG. 7*



*FIG. 8*

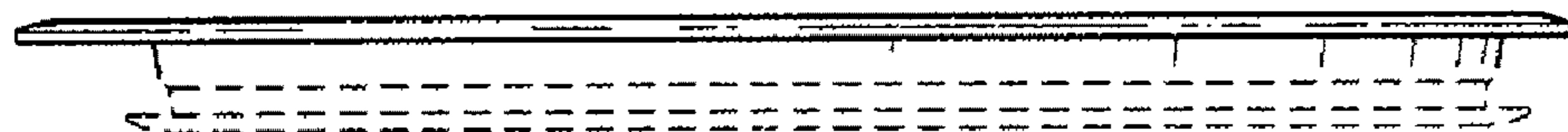


FIG. 9

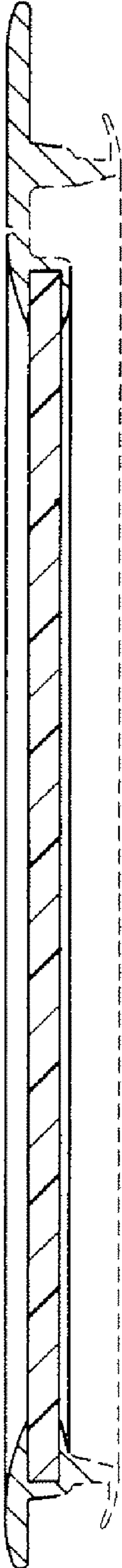


FIG. 10

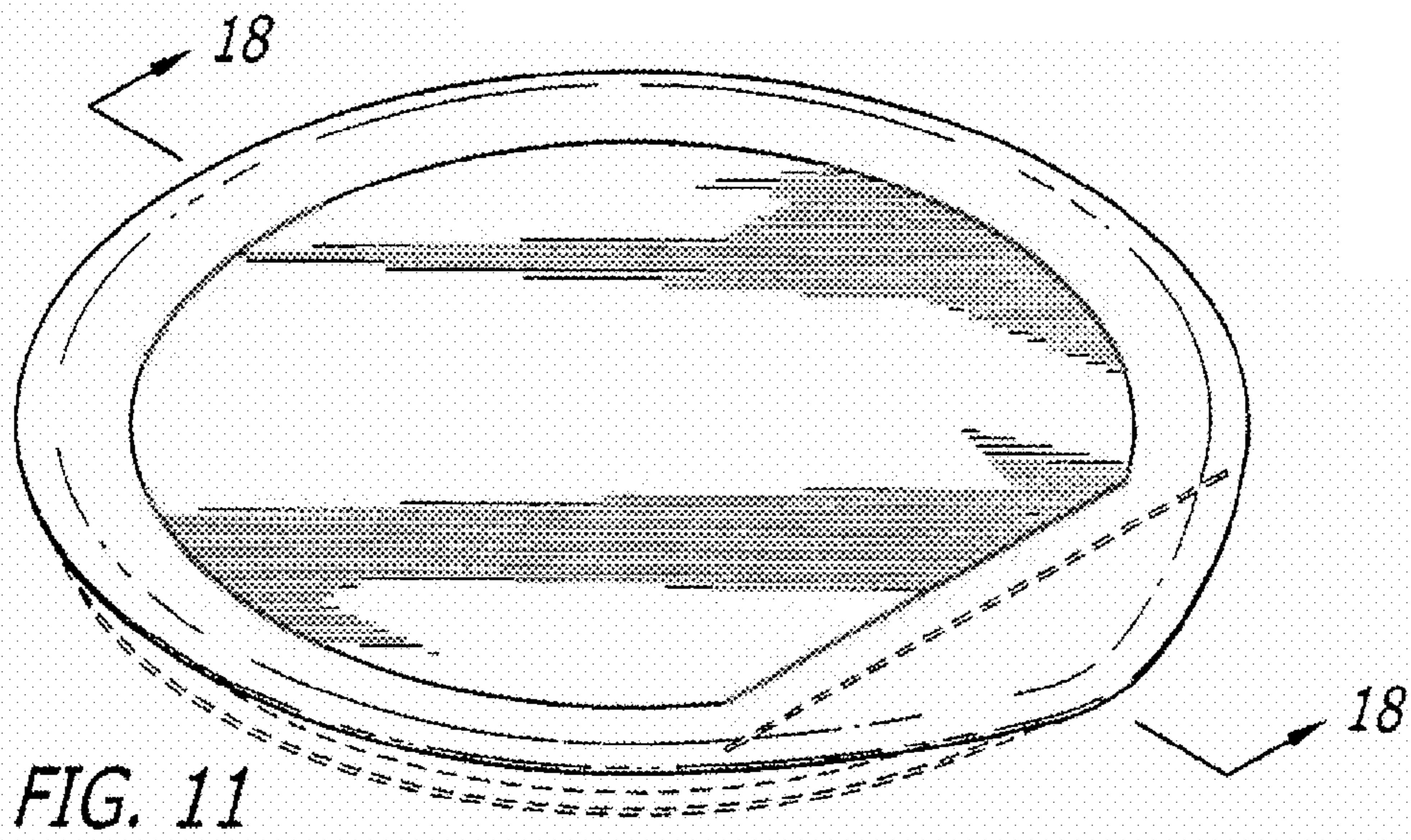
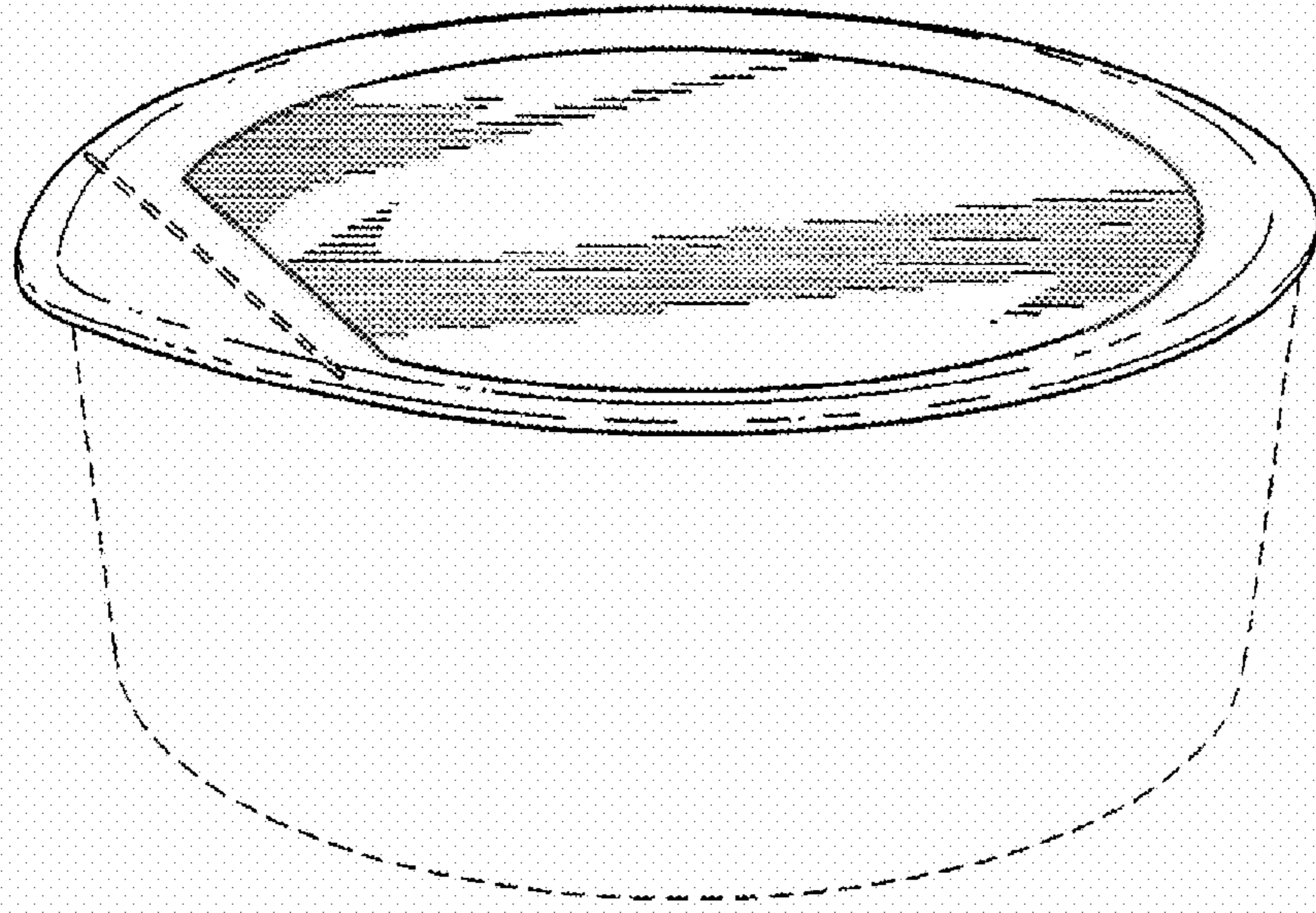


FIG. 11



FIG. 12

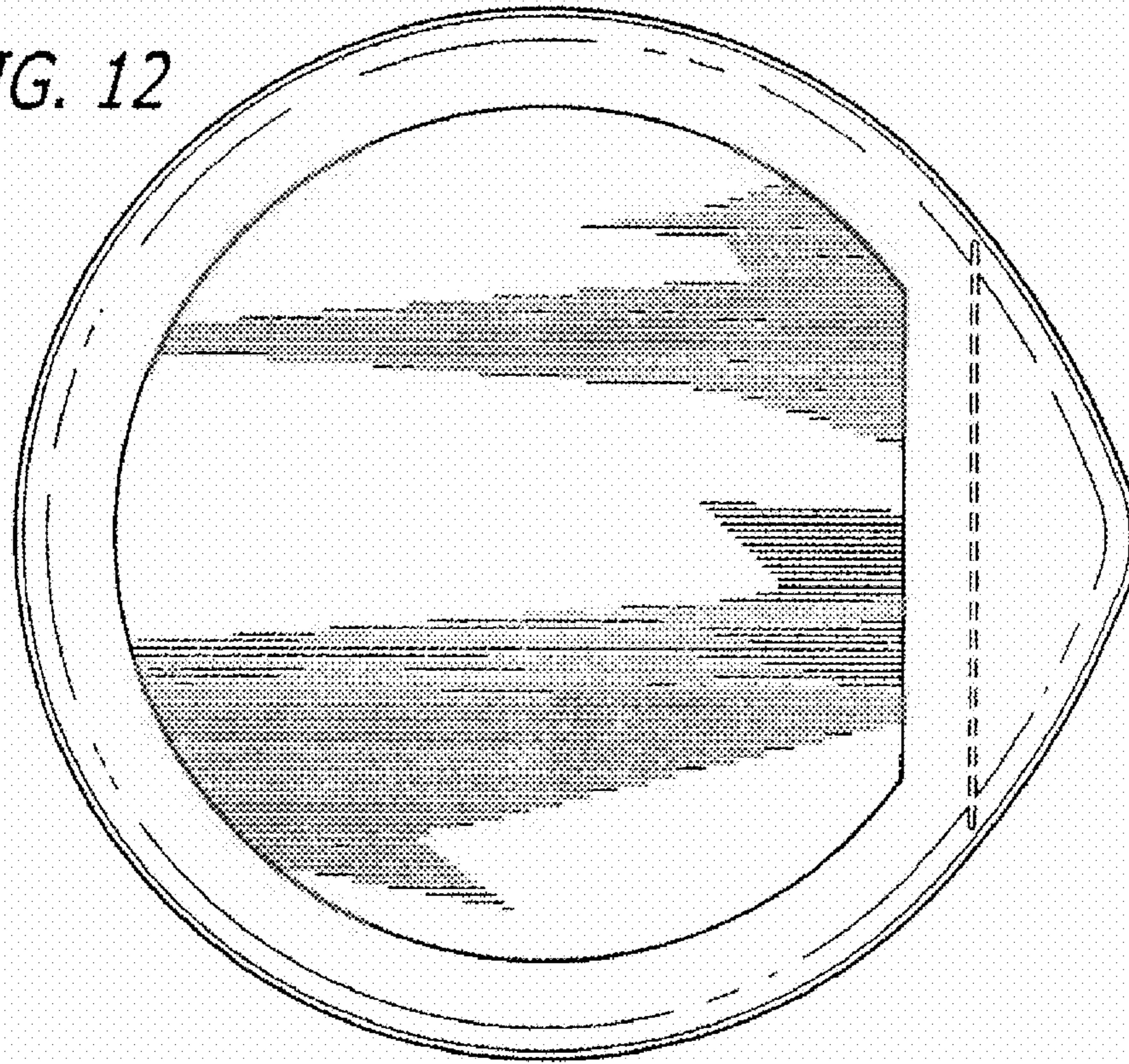
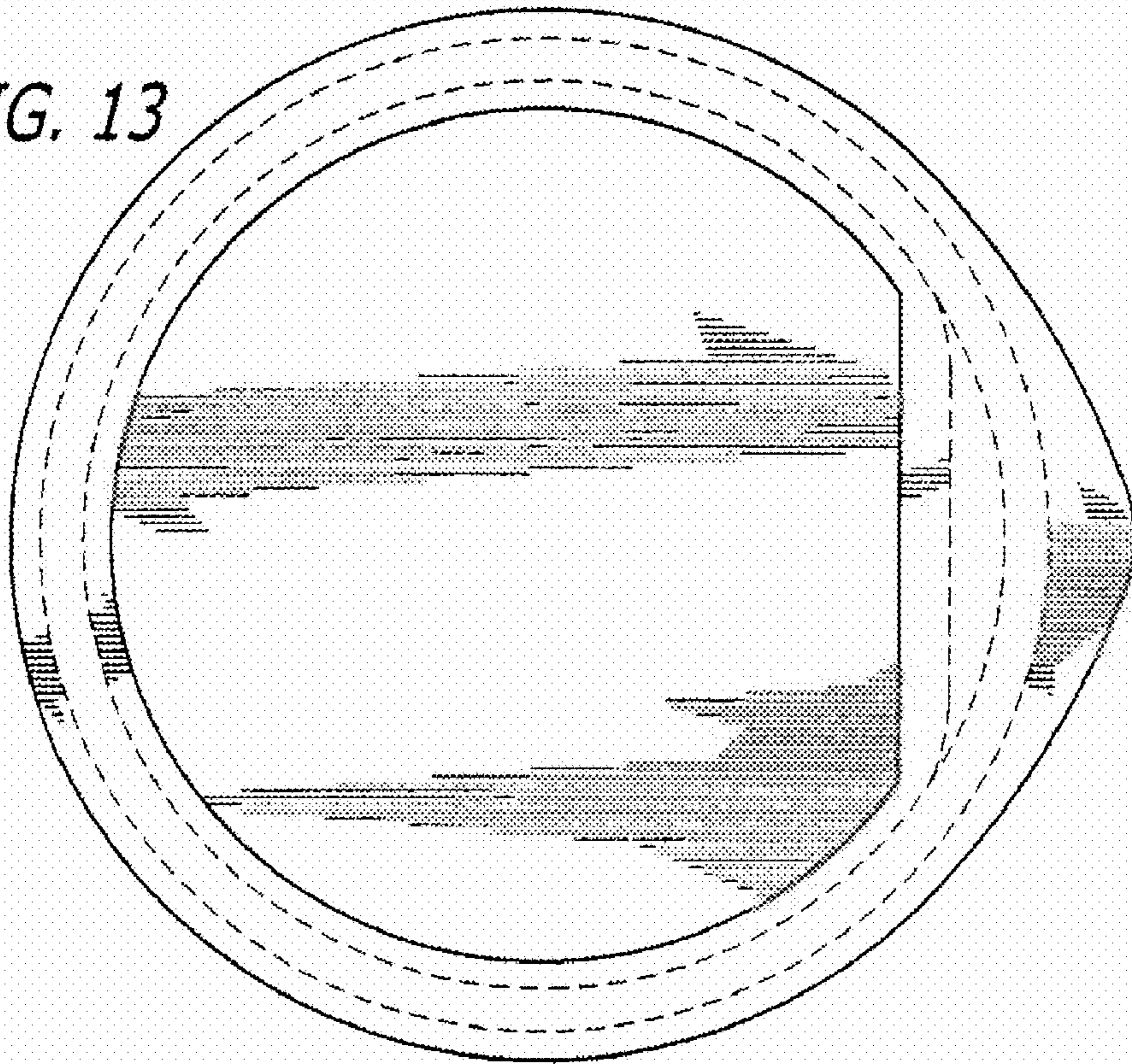
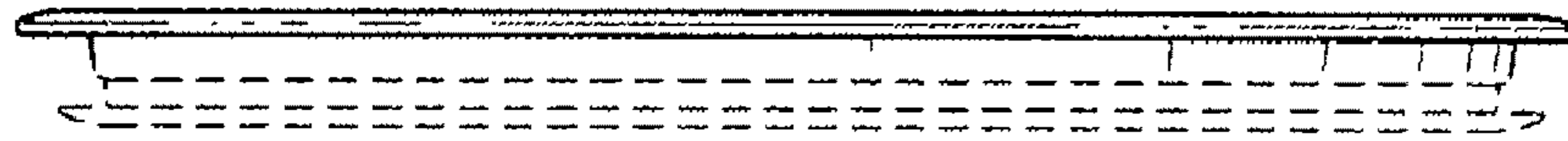


FIG. 13

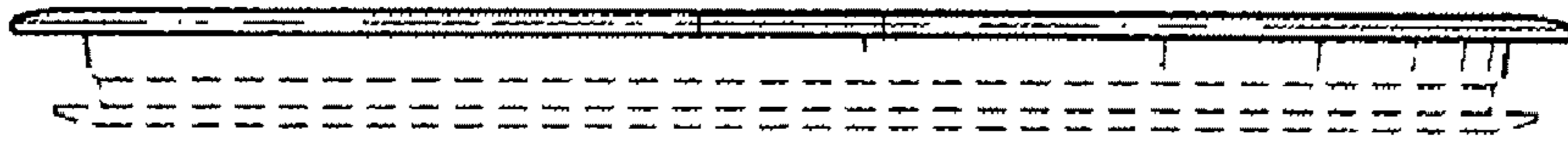




*FIG. 14*



*FIG. 15*



*FIG. 16*



*FIG. 17*

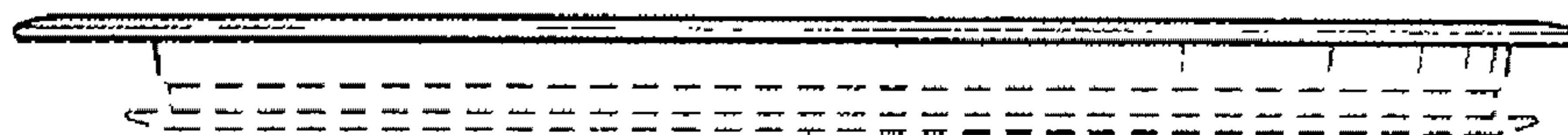


FIG. 18

