



US00D632561S

(12) **United States Design Patent**
Short et al.

(10) **Patent No.:** **US D632,561 S**
(45) **Date of Patent:** **** Feb. 15, 2011**

(54) **LID AND CONTAINER ASSEMBLY**

(75) Inventors: **Philip R. Short**, Vineland Station (CA);
Xie F. Song, Shantou (CN)

(73) Assignee: **Vortex Packaging Niagara, Inc.** (CA)

(**) Term: **14 Years**

(21) Appl. No.: **29/353,232**

(22) Filed: **Jan. 5, 2010**

Related U.S. Application Data

(63) Continuation-in-part of application No. 29/339,677,
filed on Jul. 6, 2009, now Pat. No. Des. 619,889.

(51) **LOC (9) Cl.** **09-03**

(52) **U.S. Cl.** **D9/427; D9/425; D9/429**

(58) **Field of Classification Search** D9/414–416,
D9/418–420, 423–432, 435; D7/354, 392.1,
D7/394, 396.1, 538, 543, 545, 550.1, 551,
D7/554.3, 587, 566, 575, 584, 586, 605, 629,
D7/667, 709; 220/4.21–4.24, 574, 602–608,
220/659, 675, 781–782, 793, 835, 839, DIG. 12;
229/401, 406; 206/119, 216, 351, 469, 470,
206/508, 521.1, 525–545, 562, 731–734,
206/775–778, 781, 782, 784, 806, 822, 830;
219/725, 728, 732, 735; D23/359; D3/272–273,
D3/276, 294, 302, 312, 314; 221/191
See application file for complete search history.

(56) **References Cited**

U.S. PATENT DOCUMENTS

4,235,338	A	*	11/1980	Dugan et al.	206/443
D331,361	S	*	12/1992	Langolf	D9/415
D341,461	S	*	11/1993	Davidson et al.	D3/312
D343,576	S	*	1/1994	Krupa	D9/423
D363,879	S	*	11/1995	Krupa et al.	D9/423
D382,795	S	*	8/1997	Abayhan et al.	D9/425
D399,737	S	*	10/1998	Zuhlke et al.	D9/423
6,085,930	A	*	7/2000	Curtis	220/371
D569,243	S	*	5/2008	Kidd et al.	D9/425
D573,015	S	*	7/2008	Chen	D9/427
D579,326	S	*	10/2008	Chen	D9/427
D619,889	S	*	7/2010	Short et al.	D9/425
2003/0192888	A1	*	10/2003	Chang	220/4.23

* cited by examiner

Primary Examiner—Thomas J Johannes
(74) *Attorney, Agent, or Firm*—Steven M. Greenberg, Esq.;
Carey Rodriguez Greenberg & Paul LLP

(57) **CLAIM**

The ornamental design for a lid and container assembly, as shown and described.

DESCRIPTION

FIG. 1 is an exploded top perspective view of a first embodiment of a lid and container assembly according to our new design.

FIG. 2 is a top perspective view thereof, shown in an unexploded, assembled condition.

FIG. 3 is a bottom perspective view thereof.

FIG. 4 is a left side elevation view thereof.

FIG. 5 is a rear elevation view thereof.

FIG. 6 is a right side elevation view thereof.

FIG. 7 is a front elevation view thereof.

FIG. 8 is a top plan view thereof.

FIG. 9 is a bottom plan view thereof.

FIG. 10 is an exploded top perspective view of a second embodiment of a lid and container assembly according to our new design.

FIG. 11 is a top perspective view thereof, shown in an unexploded, assembled condition.

FIG. 12 is a bottom perspective view thereof.

FIG. 13 is a left side elevation view thereof.

FIG. 14 is a rear elevation view thereof.

FIG. 15 is a right side elevation view thereof.

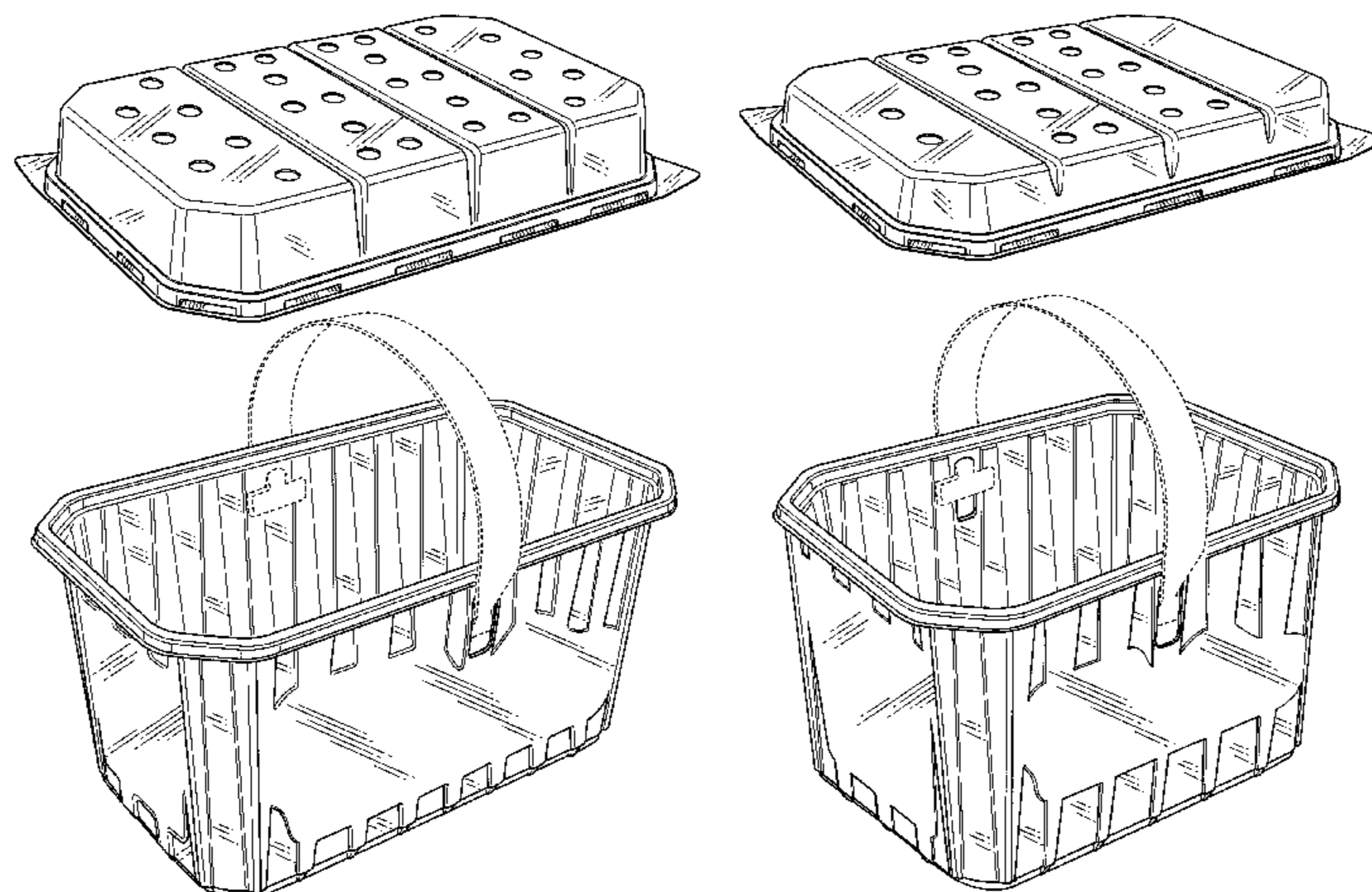
FIG. 16 is a front elevation view thereof.

FIG. 17 is a top plan view thereof; and,

FIG. 18 is a bottom plan view thereof.

The broken lines show unclaimed subject matter only and form no part of the claimed design.

1 Claim, 17 Drawing Sheets



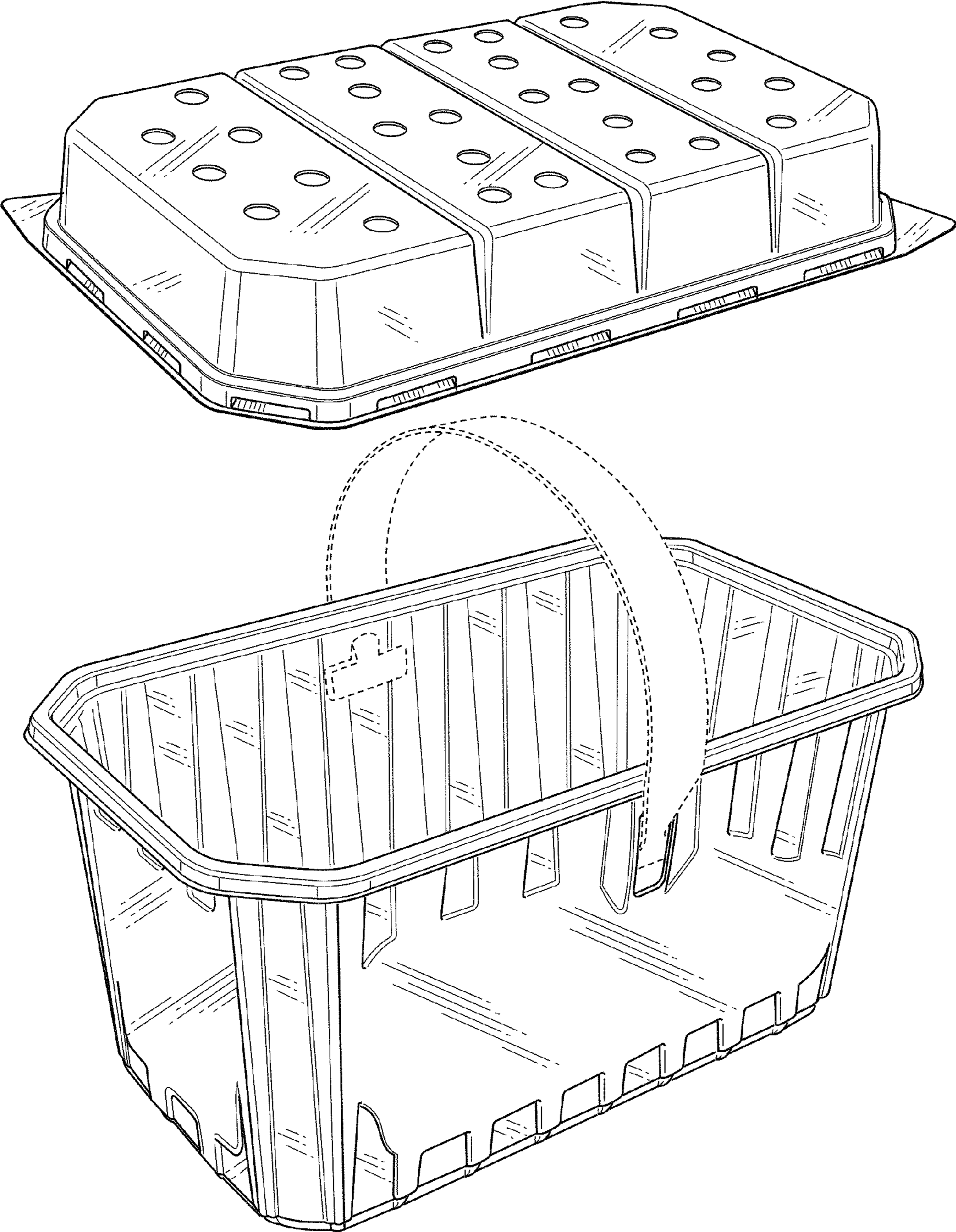


FIG. 1

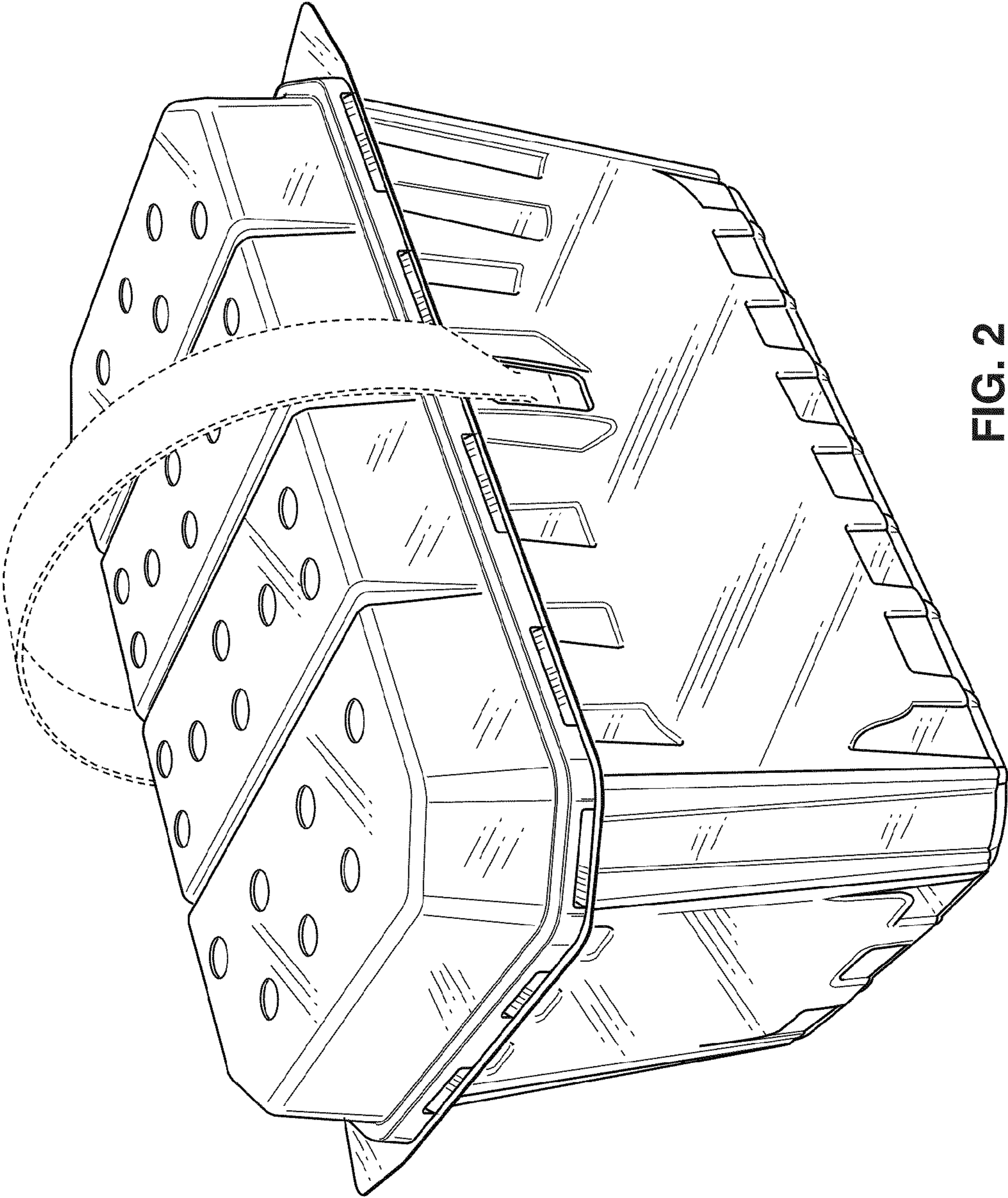


FIG. 2

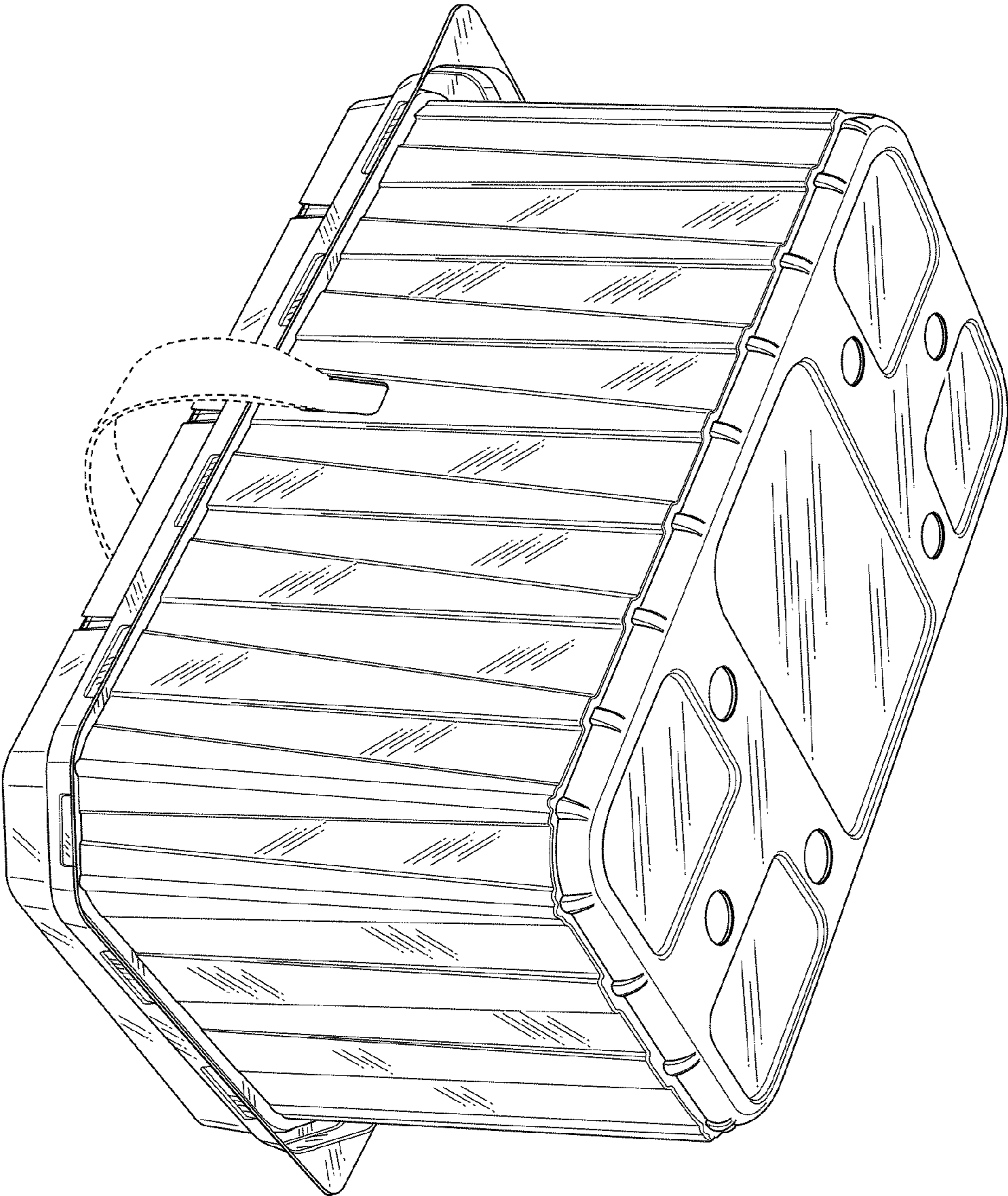


FIG. 3

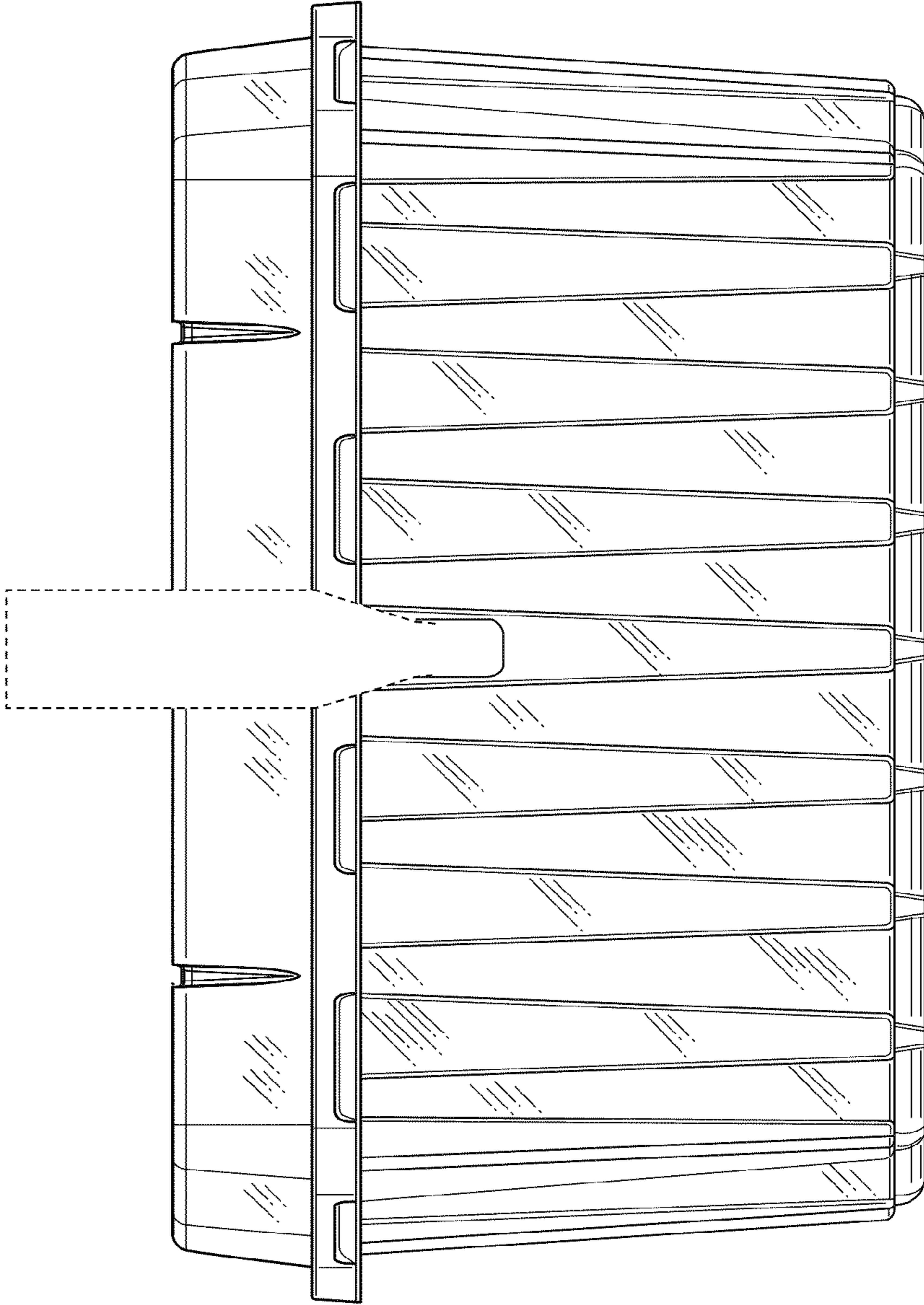


FIG. 4

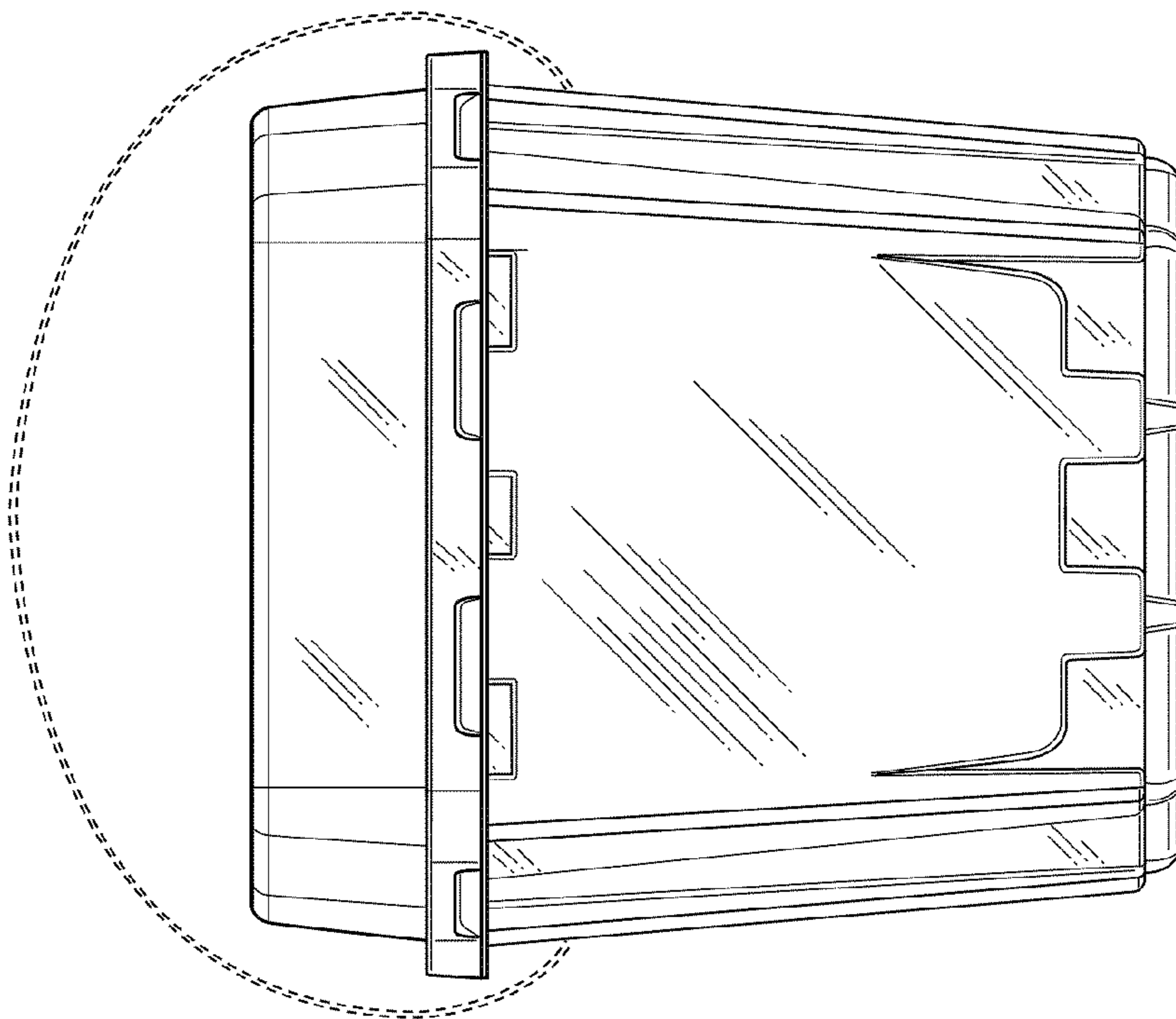


FIG. 5

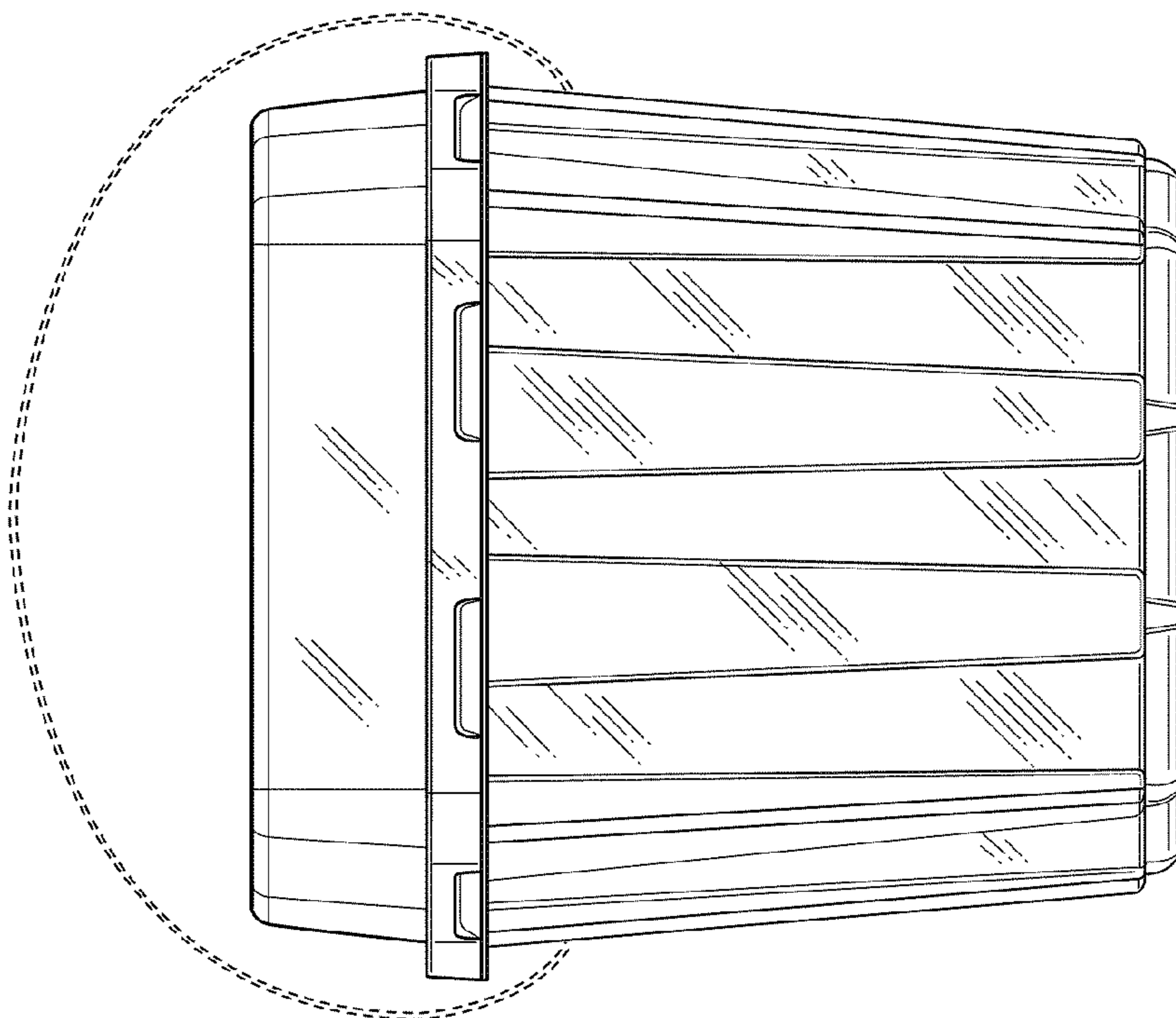


FIG. 7

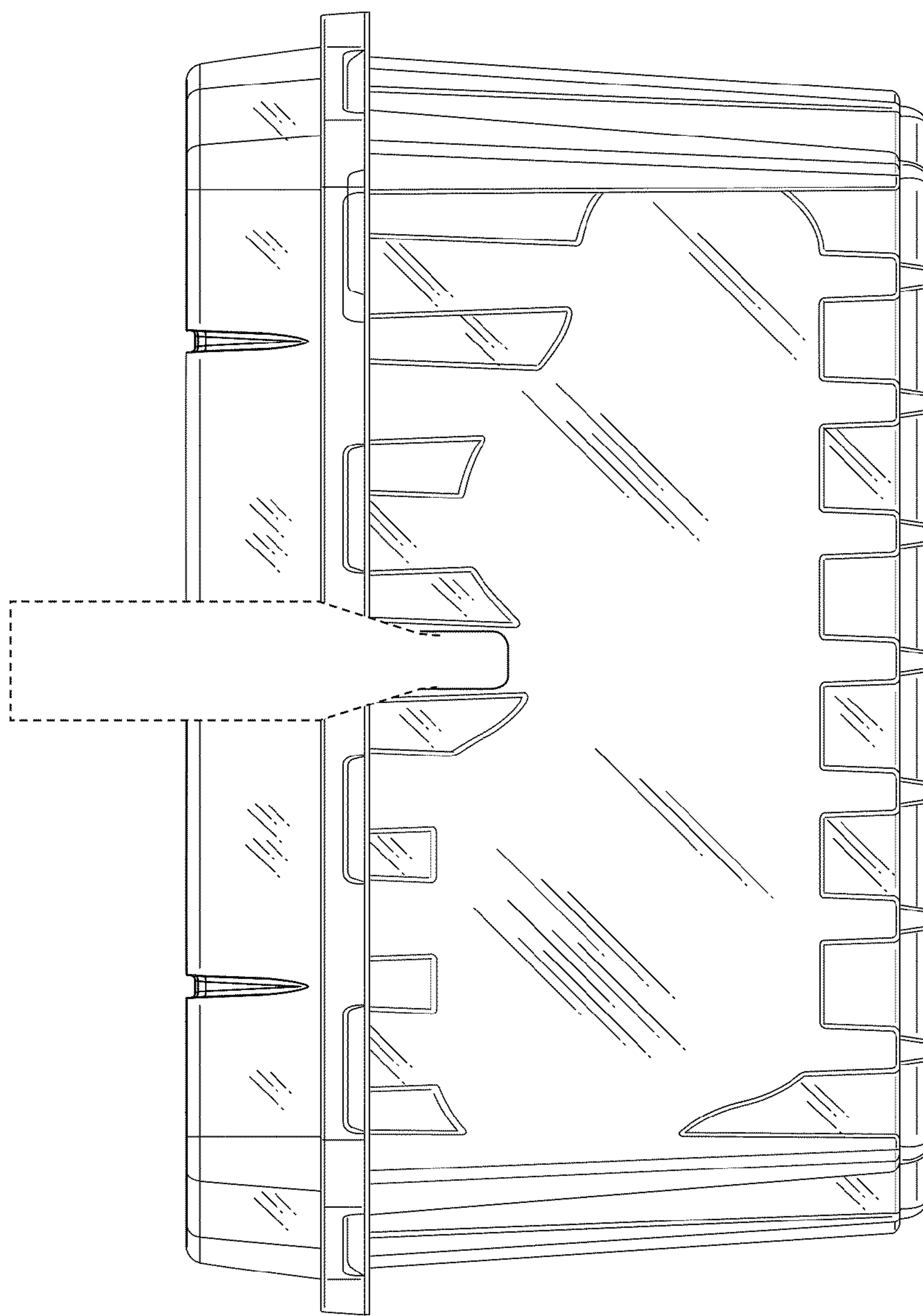


FIG. 6

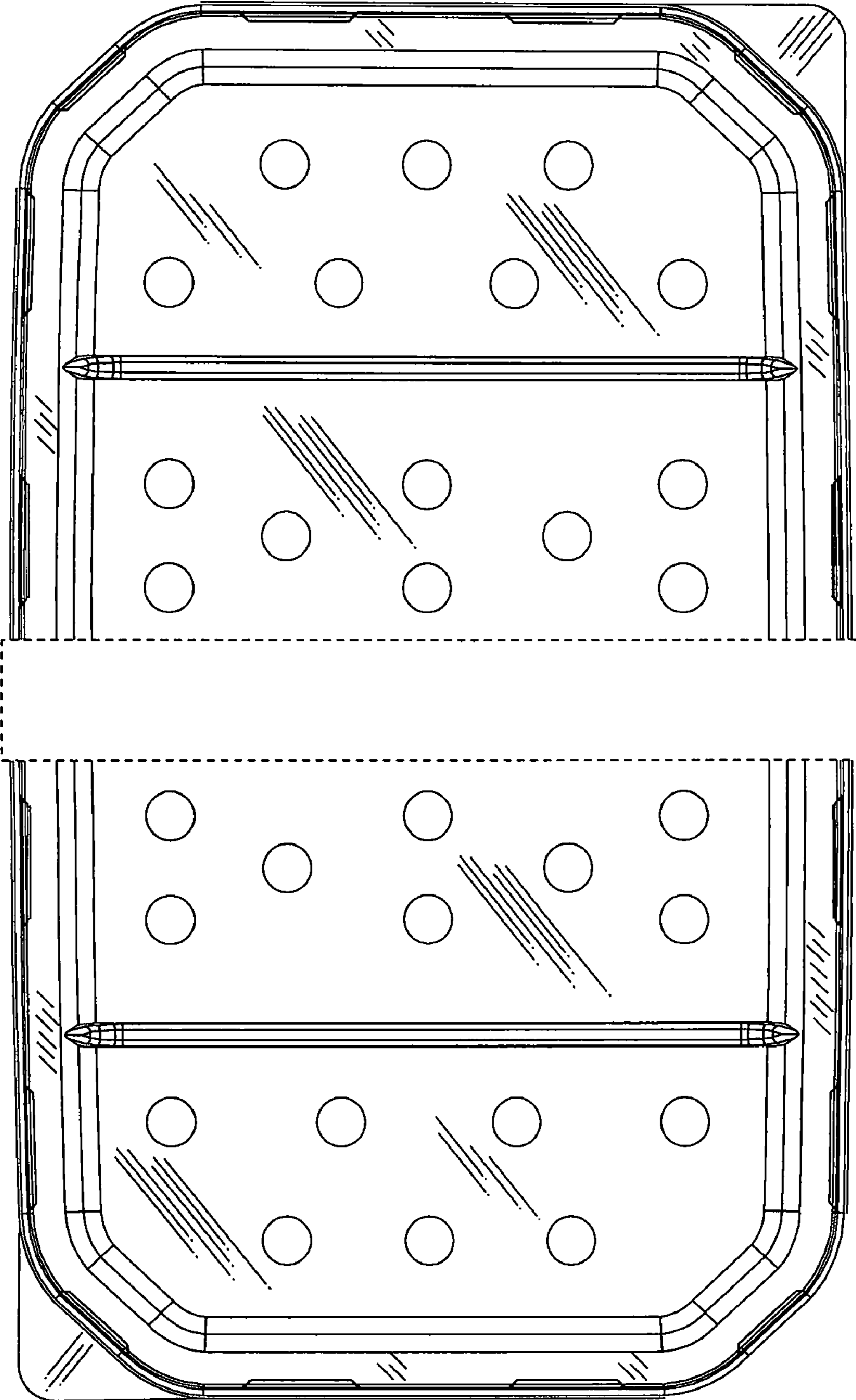


FIG. 8

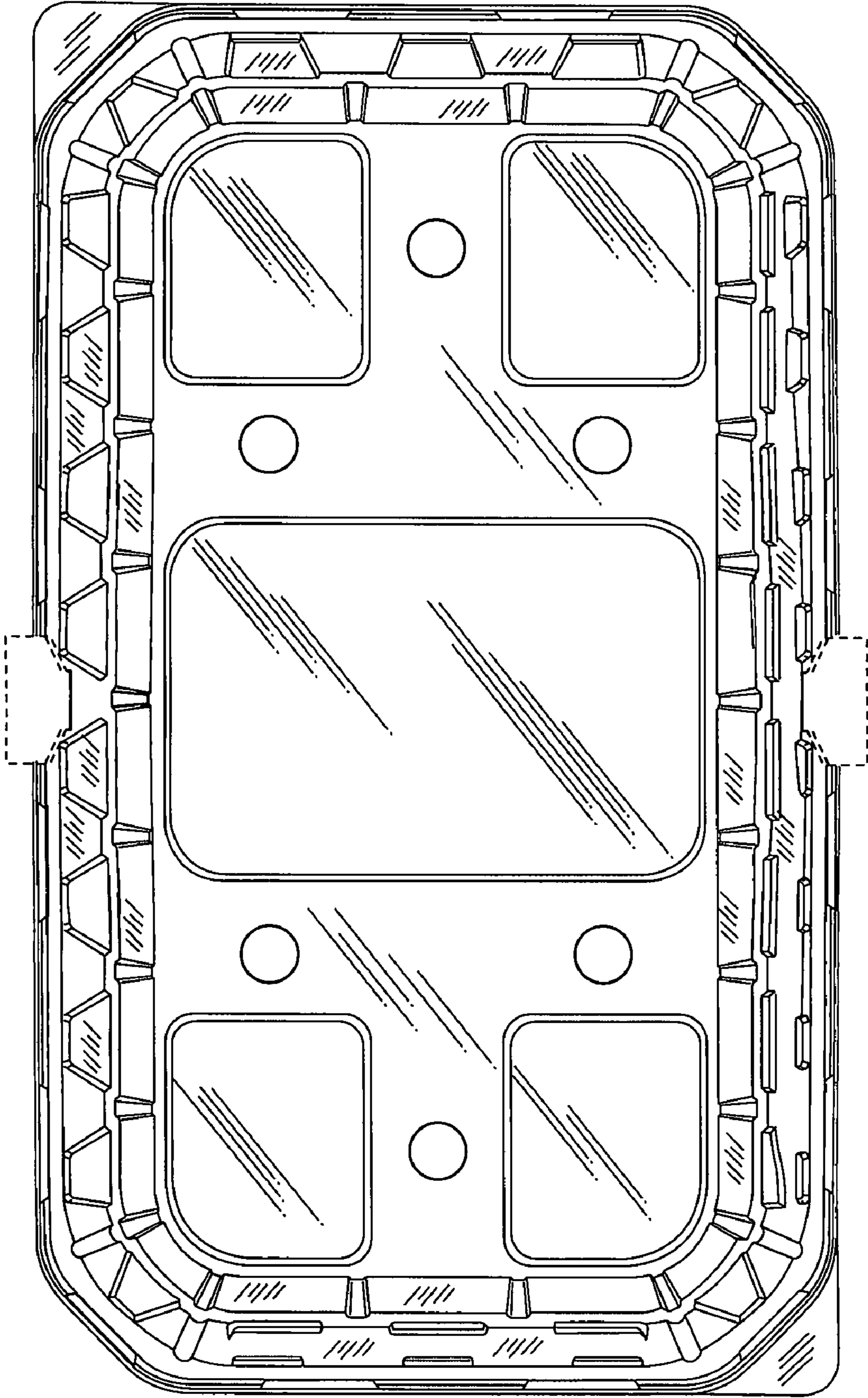


FIG. 9

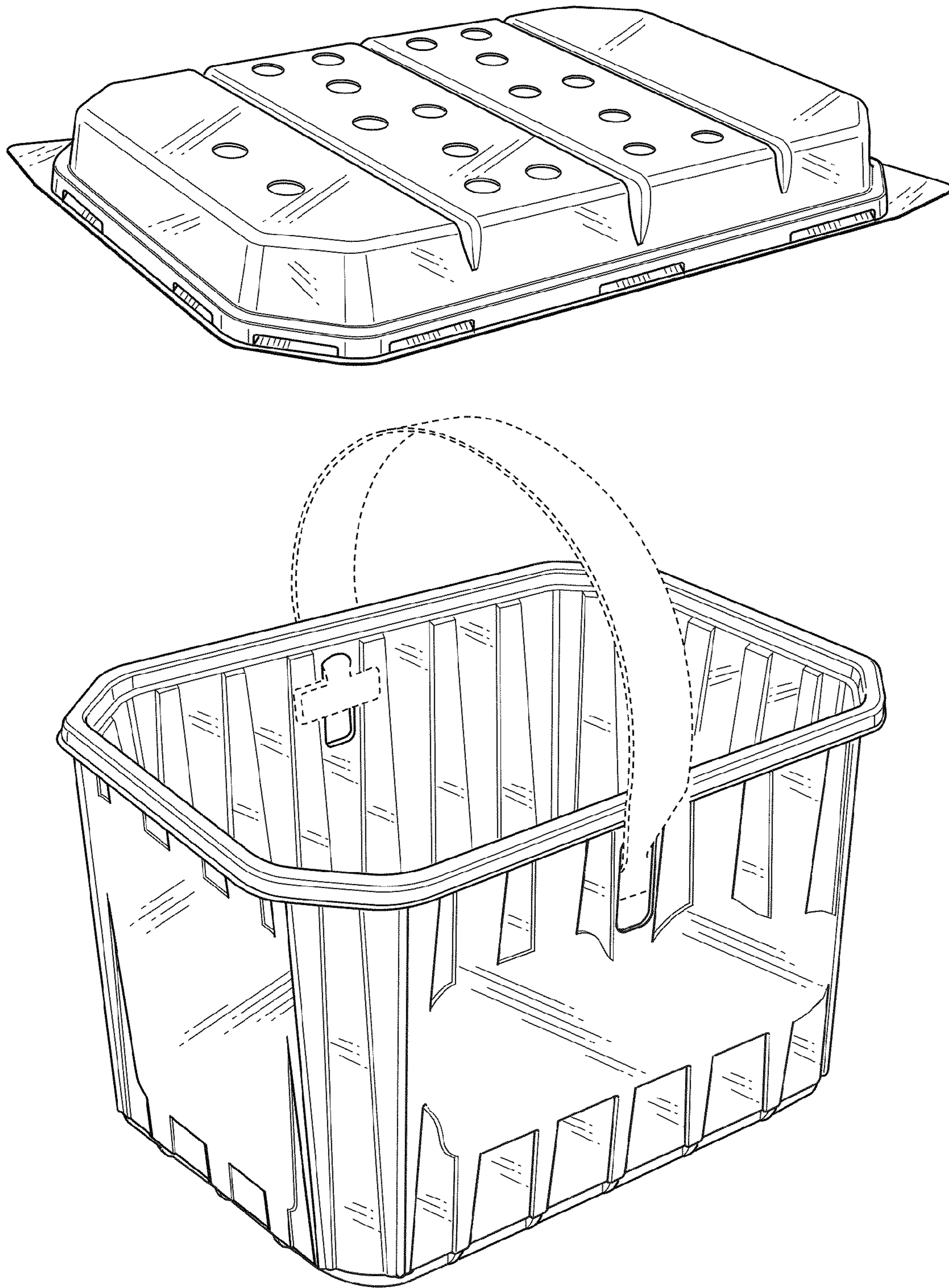


FIG. 10

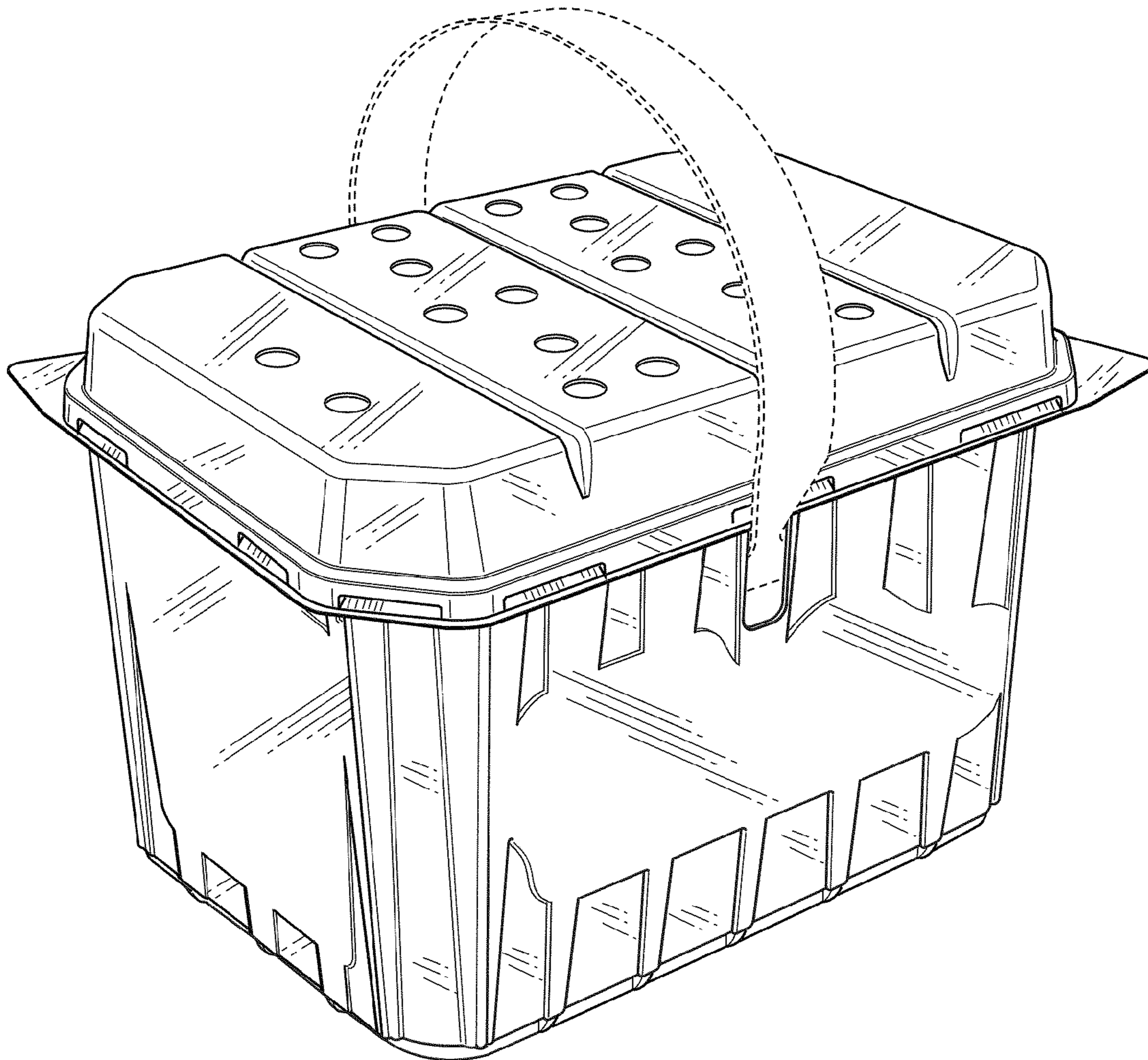


FIG. 11

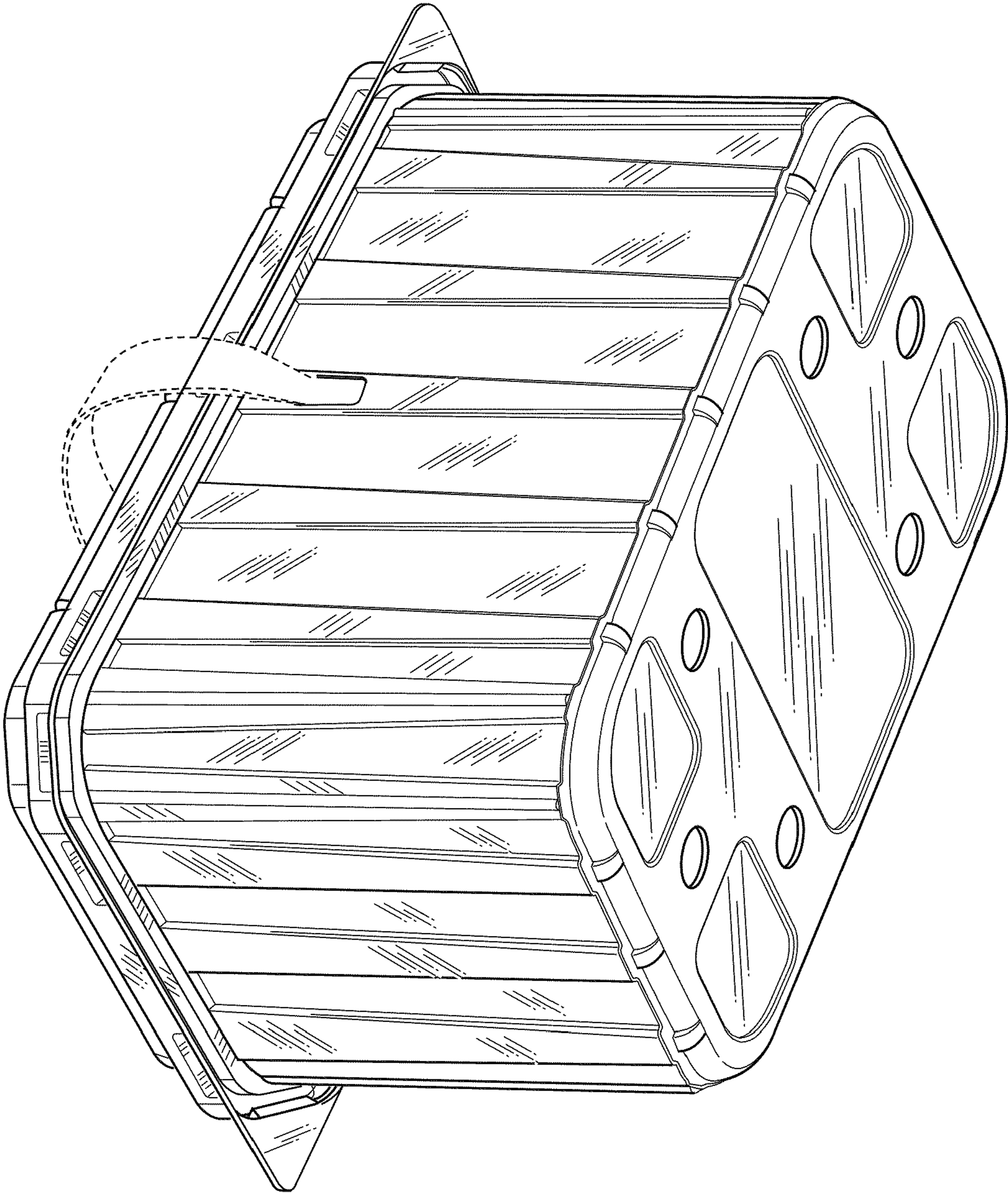


FIG. 12

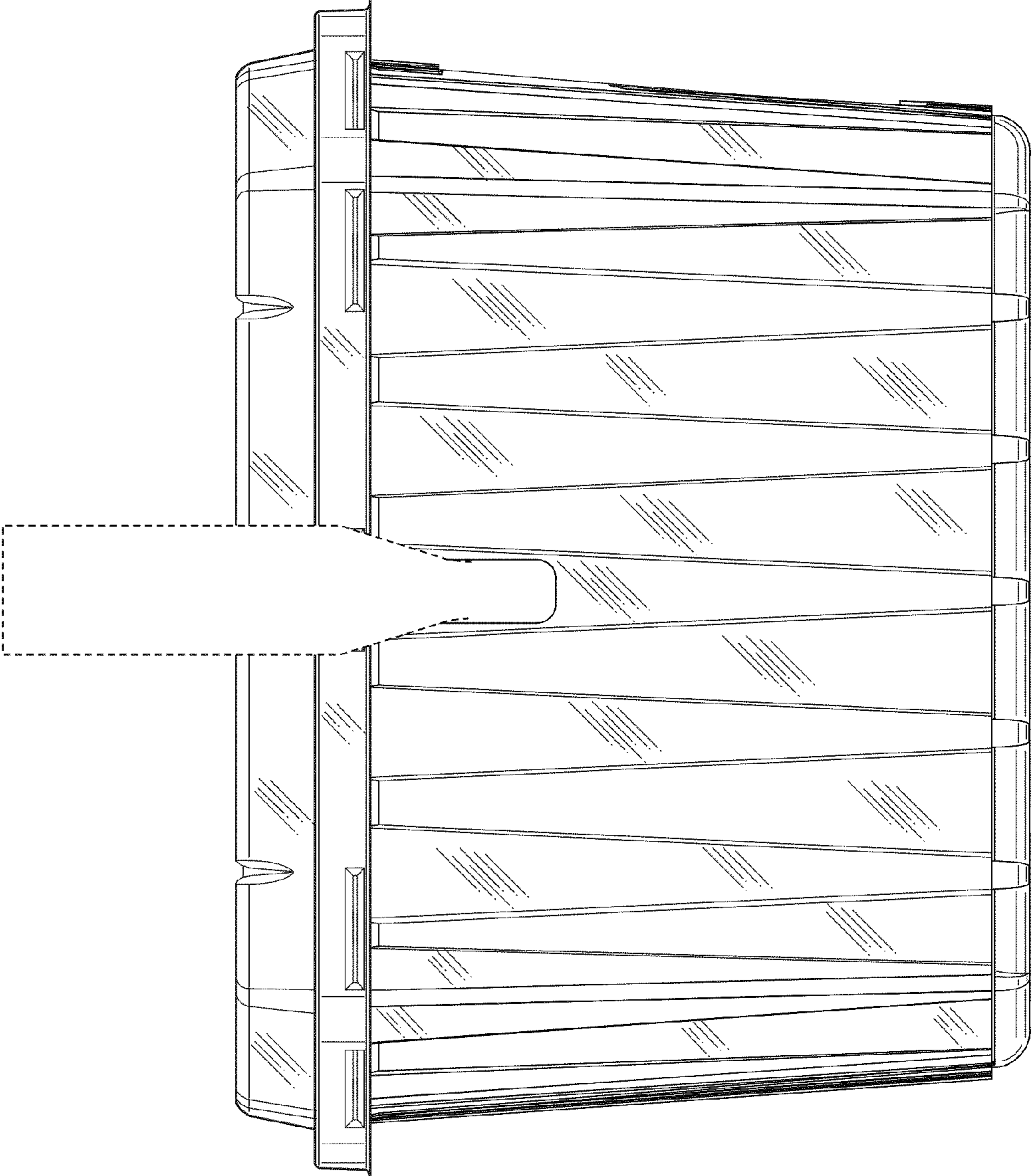


FIG. 13

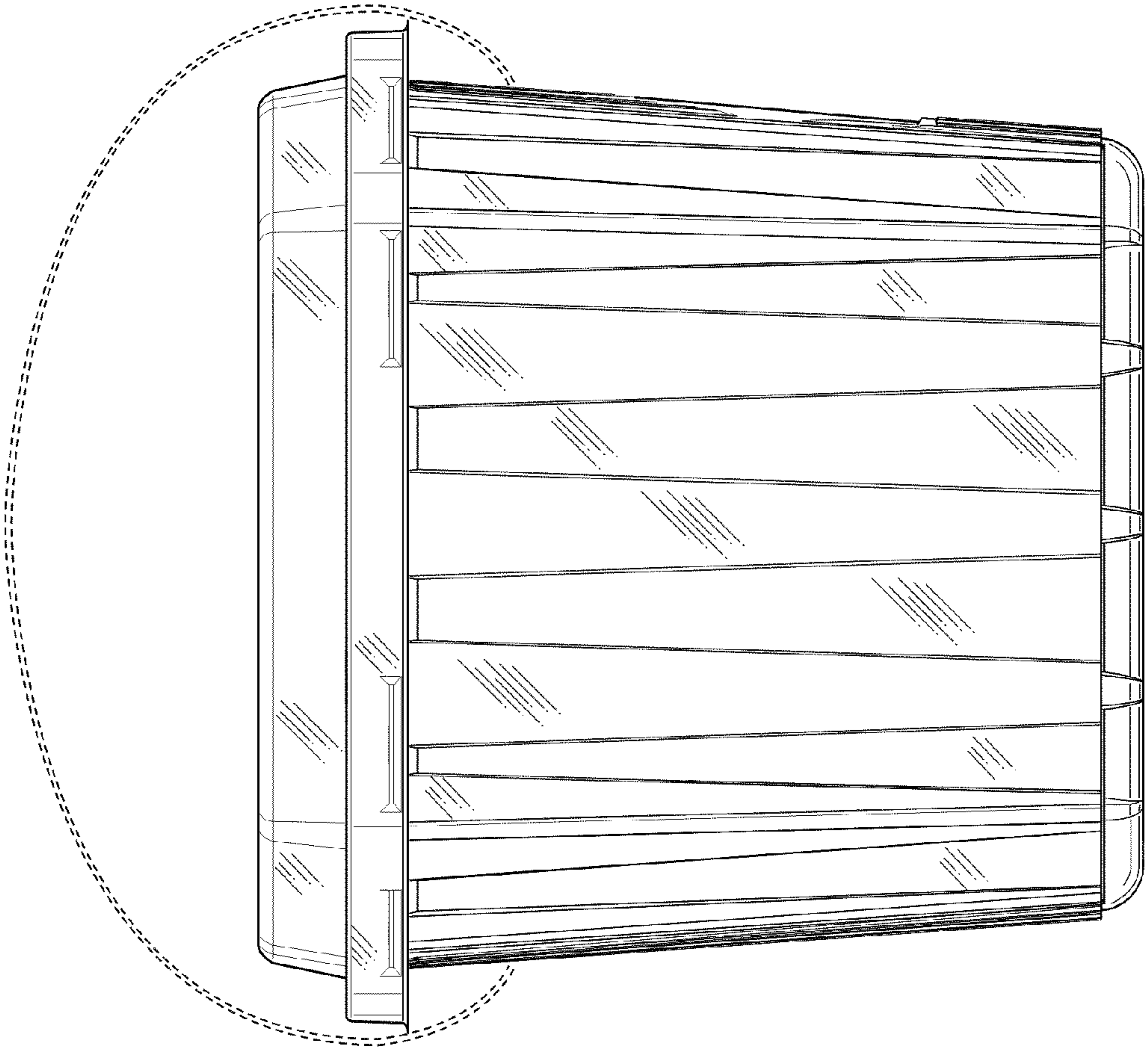


FIG. 14

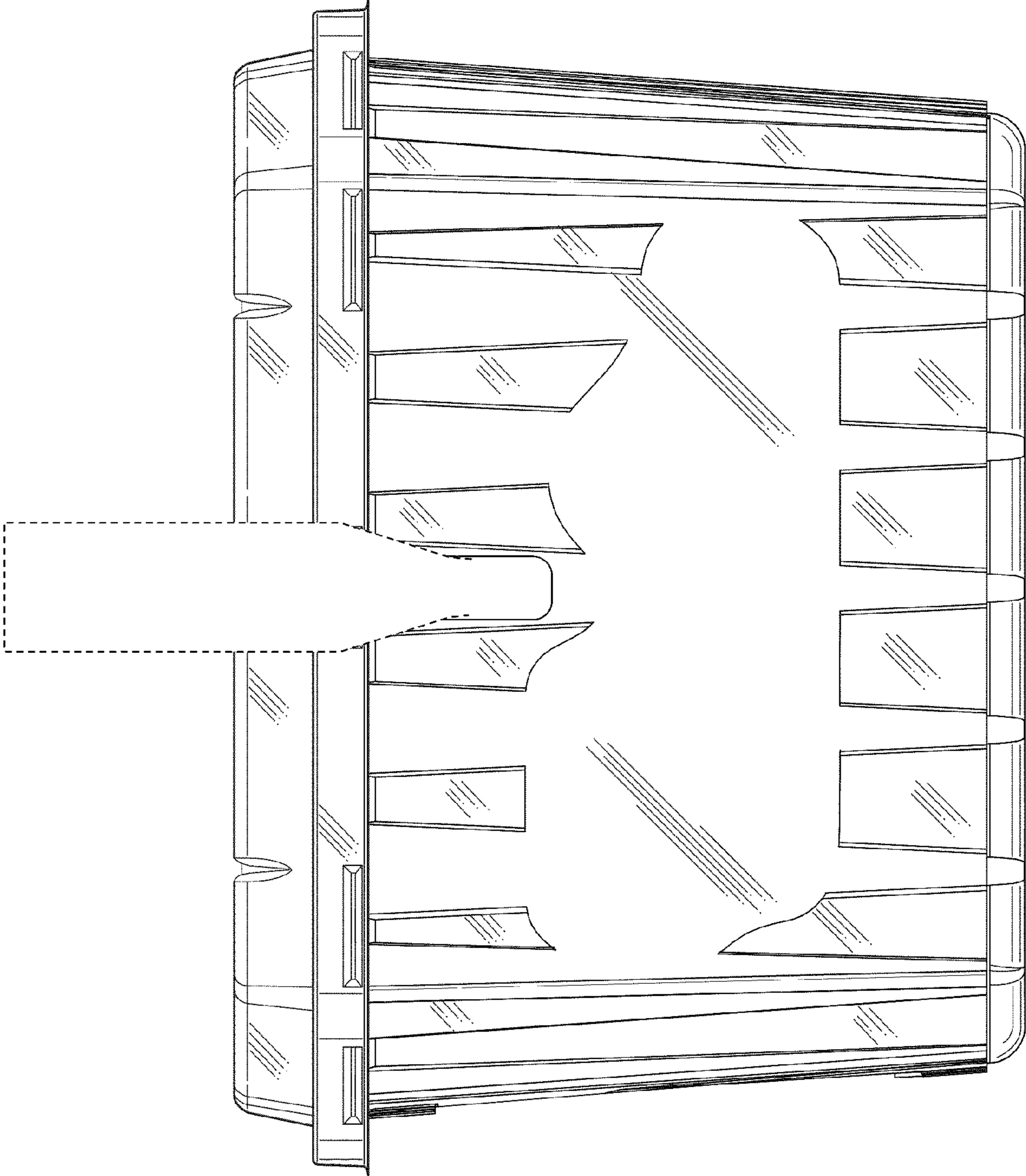


FIG. 15

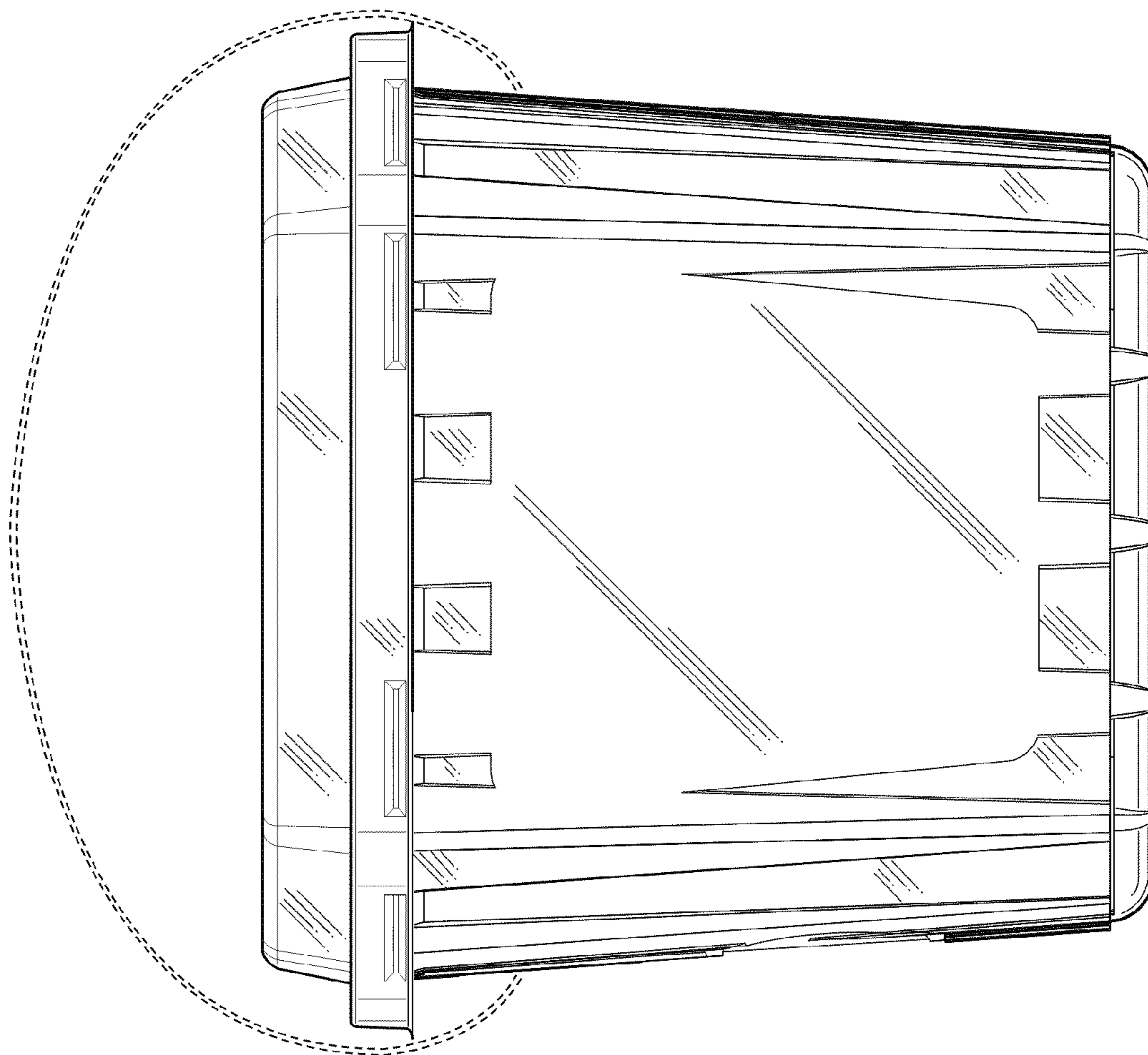


FIG. 16

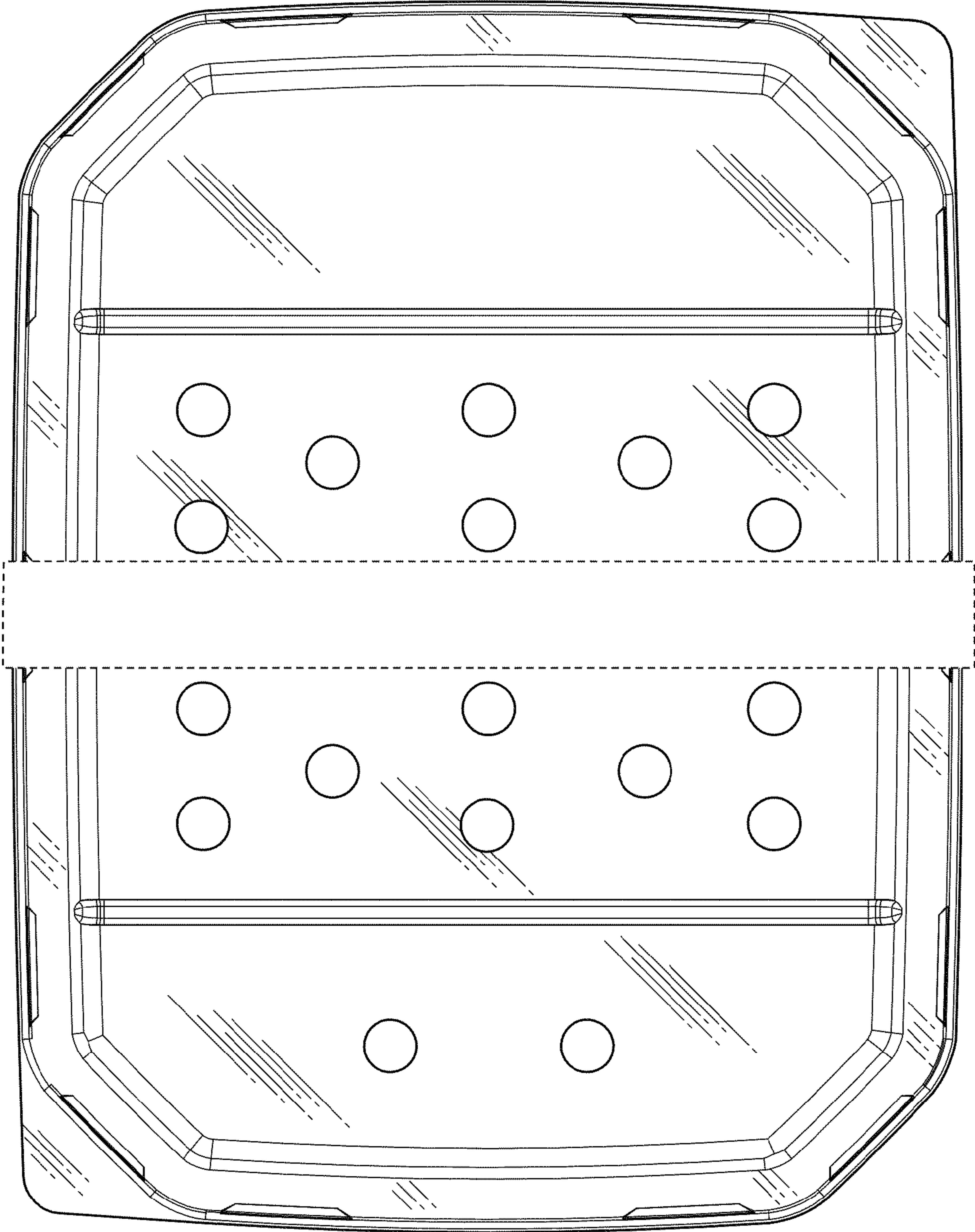


FIG. 17

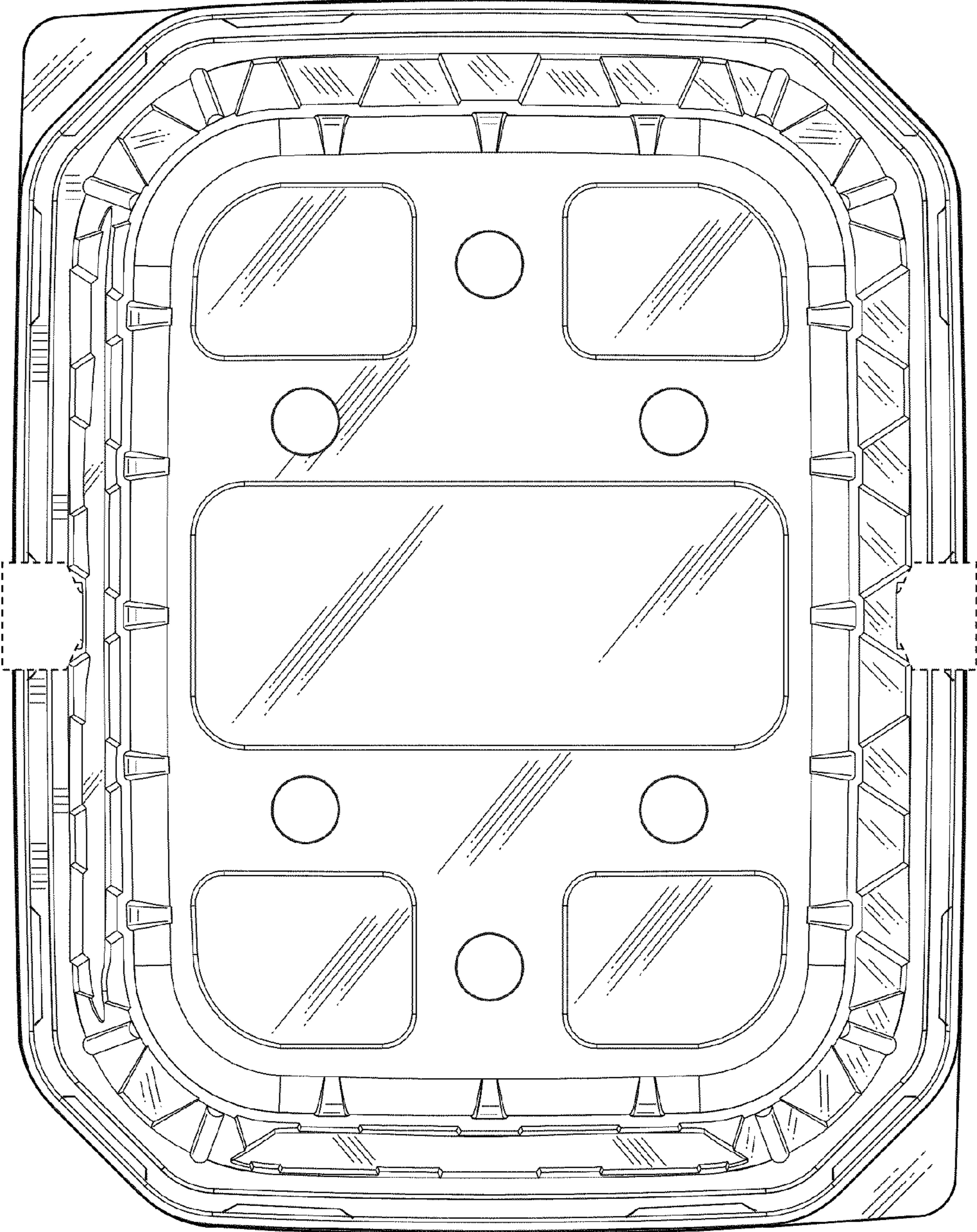


FIG. 18