



(12) **United States Design Patent**
Hutchison

(10) **Patent No.:** **US D632,558 S**
(45) **Date of Patent:** **** Feb. 15, 2011**

(54) **CONTAINER**

(75) Inventor: **Phillip Lacoï Hutchison**, Cincinnati, OH (US)

(73) Assignee: **The Procter & Gamble Company**, Cincinnati, OH (US)

(**) Term: **14 Years**

(21) Appl. No.: **29/332,679**

(22) Filed: **Feb. 23, 2009**

(51) **LOC (9) Cl.** **09-03**

(52) **U.S. Cl.** **D9/421; D9/734**

(58) **Field of Classification Search** 222/173, 222/180; 221/26, 33, 45, 63, 282-284; 206/225, 206/233, 389, 391, 409, 494, 812, 824; 211/13.1, 211/45; 224/925; 242/570, 590; 248/309.1, 248/309.2, 905; D12/17, 19; D3/273, 294, D3/318; D9/423, 421, 420, 549, 434; D6/512, D6/515-523

See application file for complete search history.

(56) **References Cited**

U.S. PATENT DOCUMENTS

4,651,895 A 3/1987 Niske et al.
D414,637 S * 10/1999 Amundson et al. D9/734

D450,960 S * 11/2001 Boyea et al. D6/515
D461,403 S * 8/2002 Chomik et al. D9/423
D468,567 S 1/2003 Trevett et al.
D479,419 S 9/2003 White et al.
D479,420 S 9/2003 White et al.
D485,461 S * 1/2004 Sams et al. D6/515
D545,097 S 6/2007 Schlaupitz et al.
D546,602 S * 7/2007 Chasid et al. D6/518

* cited by examiner

Primary Examiner—Thomas J Johannes

(74) *Attorney, Agent, or Firm*—C. Brant Cook

(57) **CLAIM**

The ornamental design for a container, as shown and described.

DESCRIPTION

FIG. 1 is a perspective view of a container showing my new ornamental design;

FIG. 2 is a front elevation view thereof;

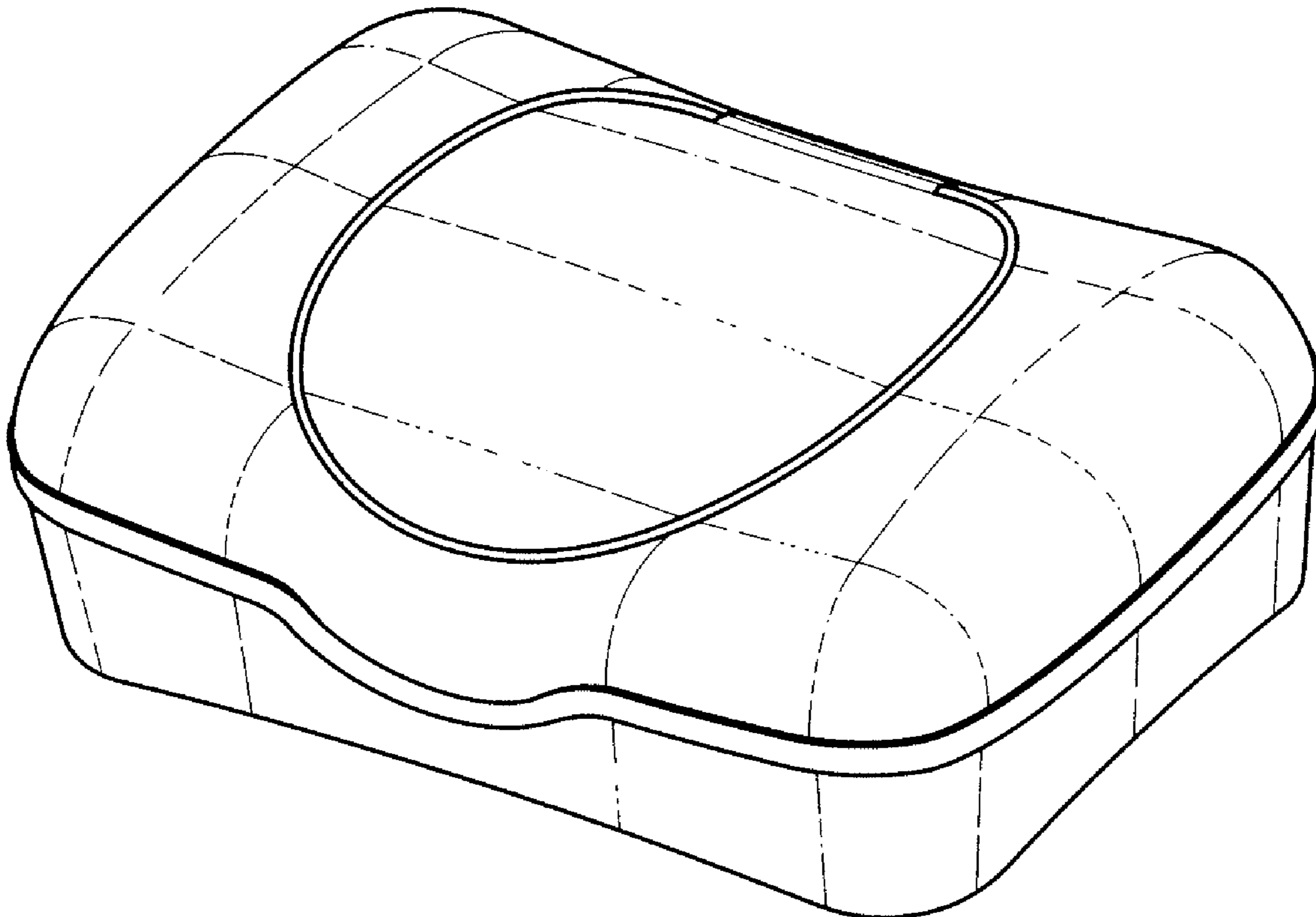
FIG. 3 is back elevation view thereof;

FIG. 4 is a right side elevation view thereof;

FIG. 5 is a left side elevation view thereof; and,

FIG. 6 is a top plan view thereof.

1 Claim, 4 Drawing Sheets



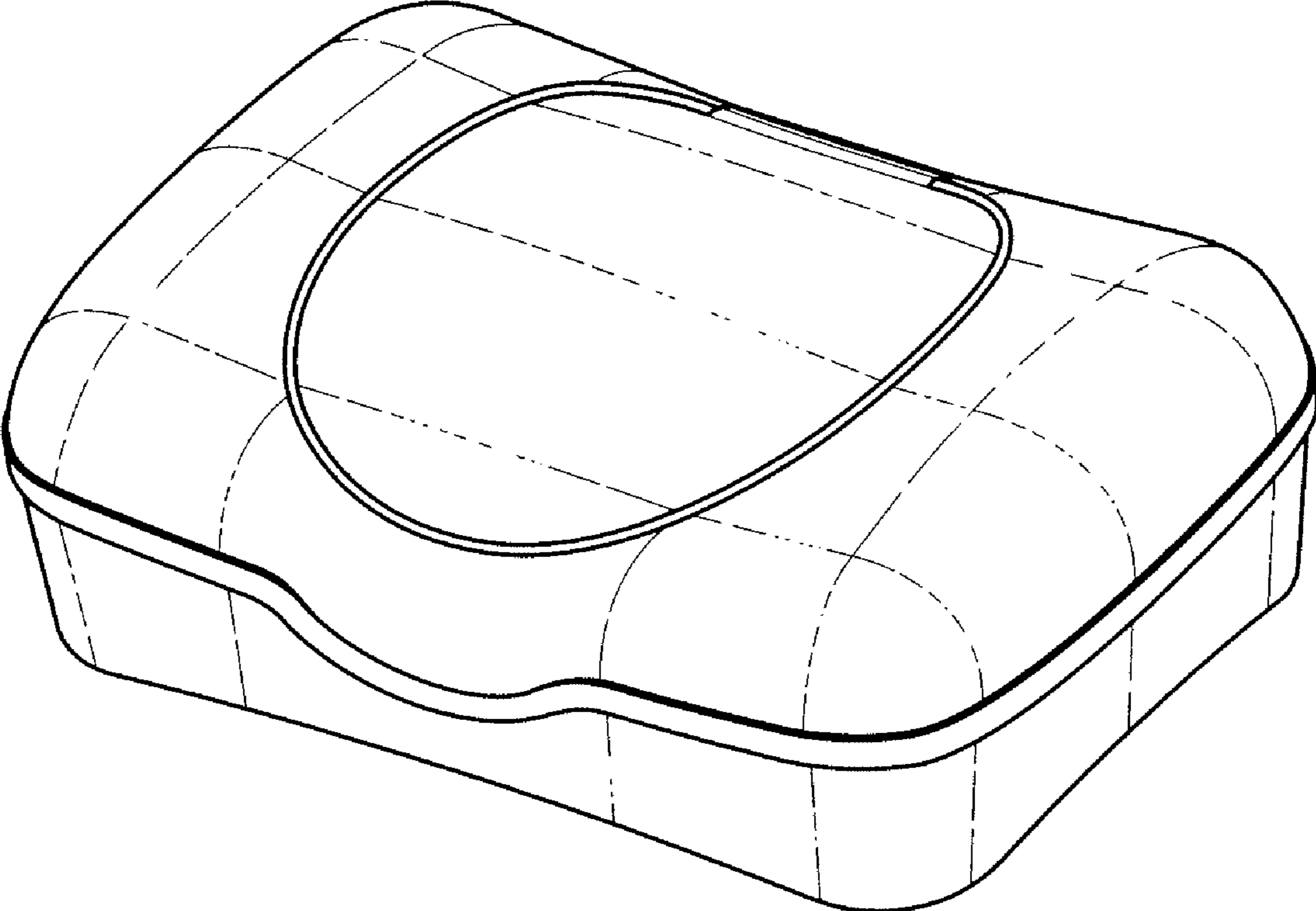


Fig. 1

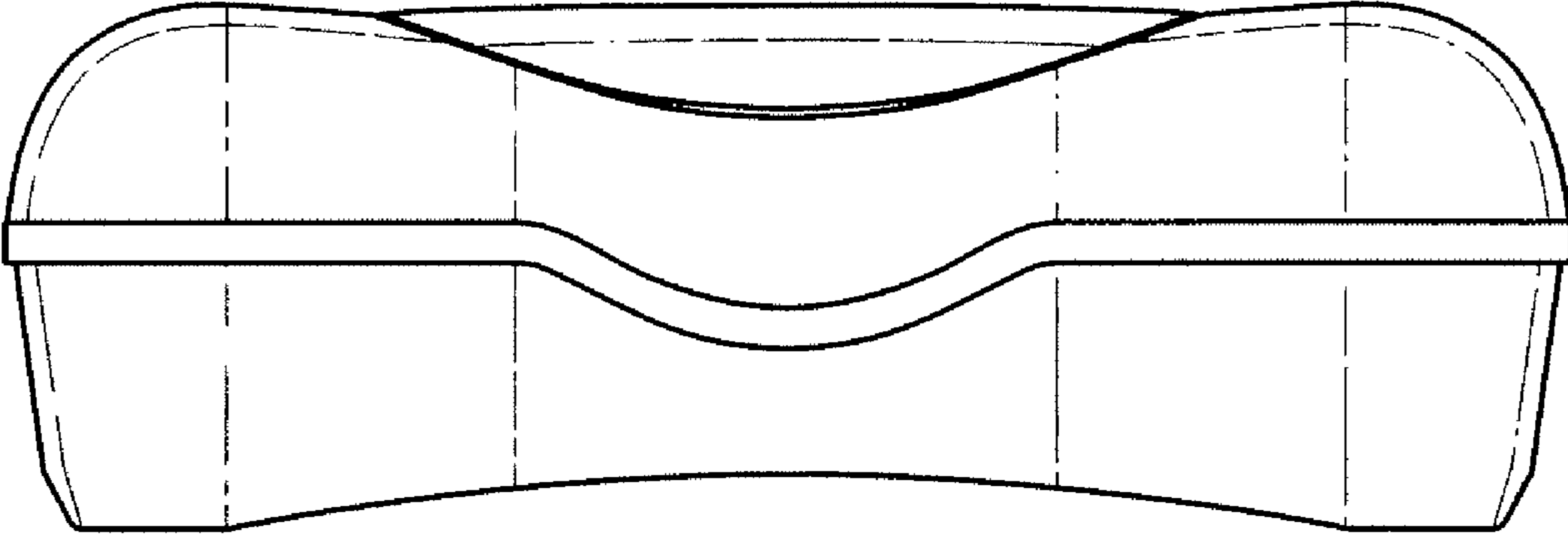


Fig. 2

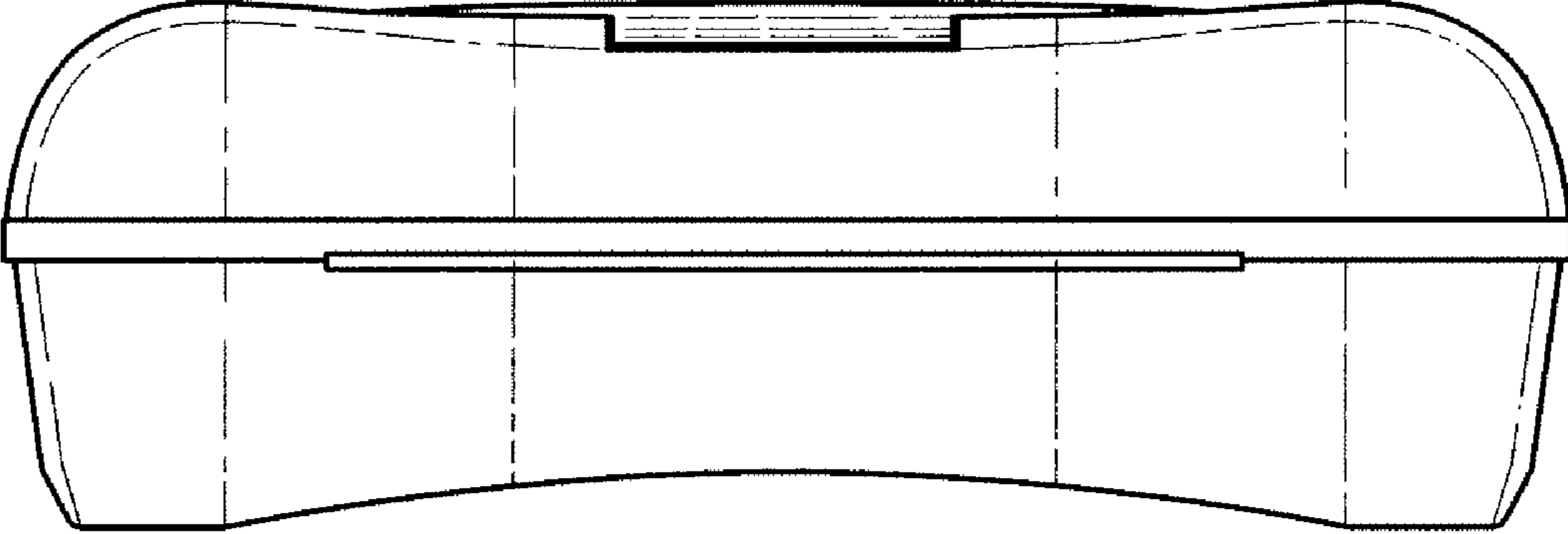


Fig. 3

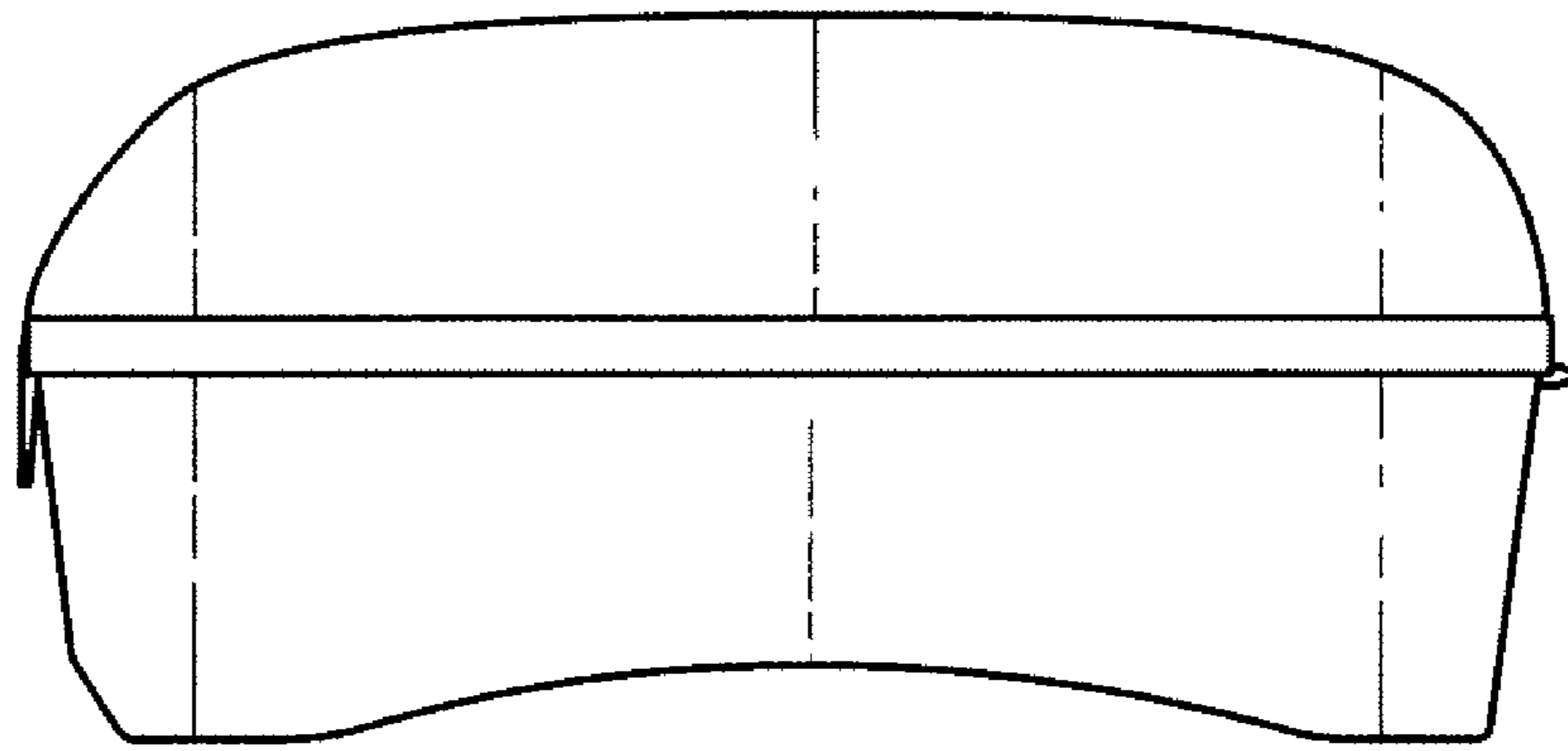


Fig. 4

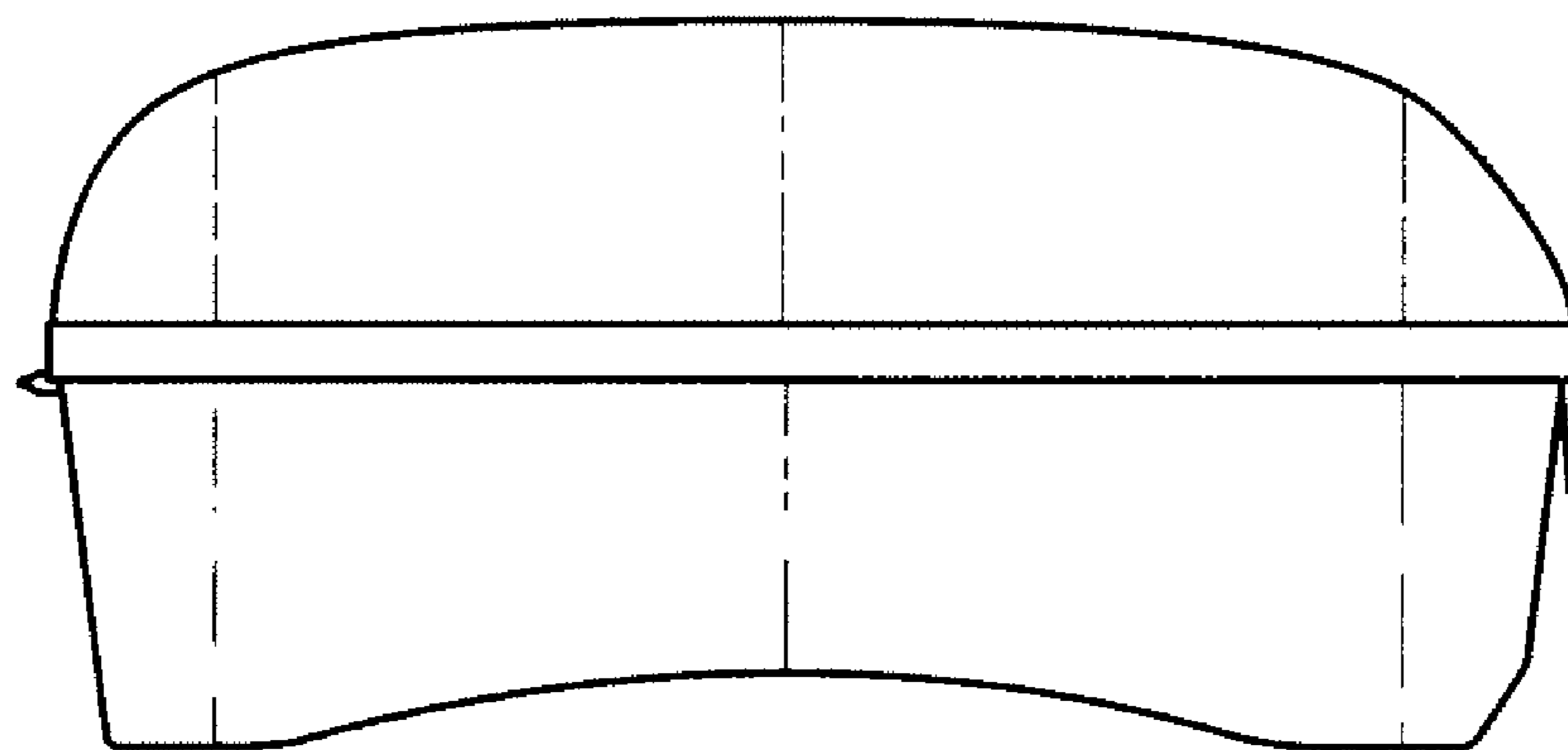


Fig. 5

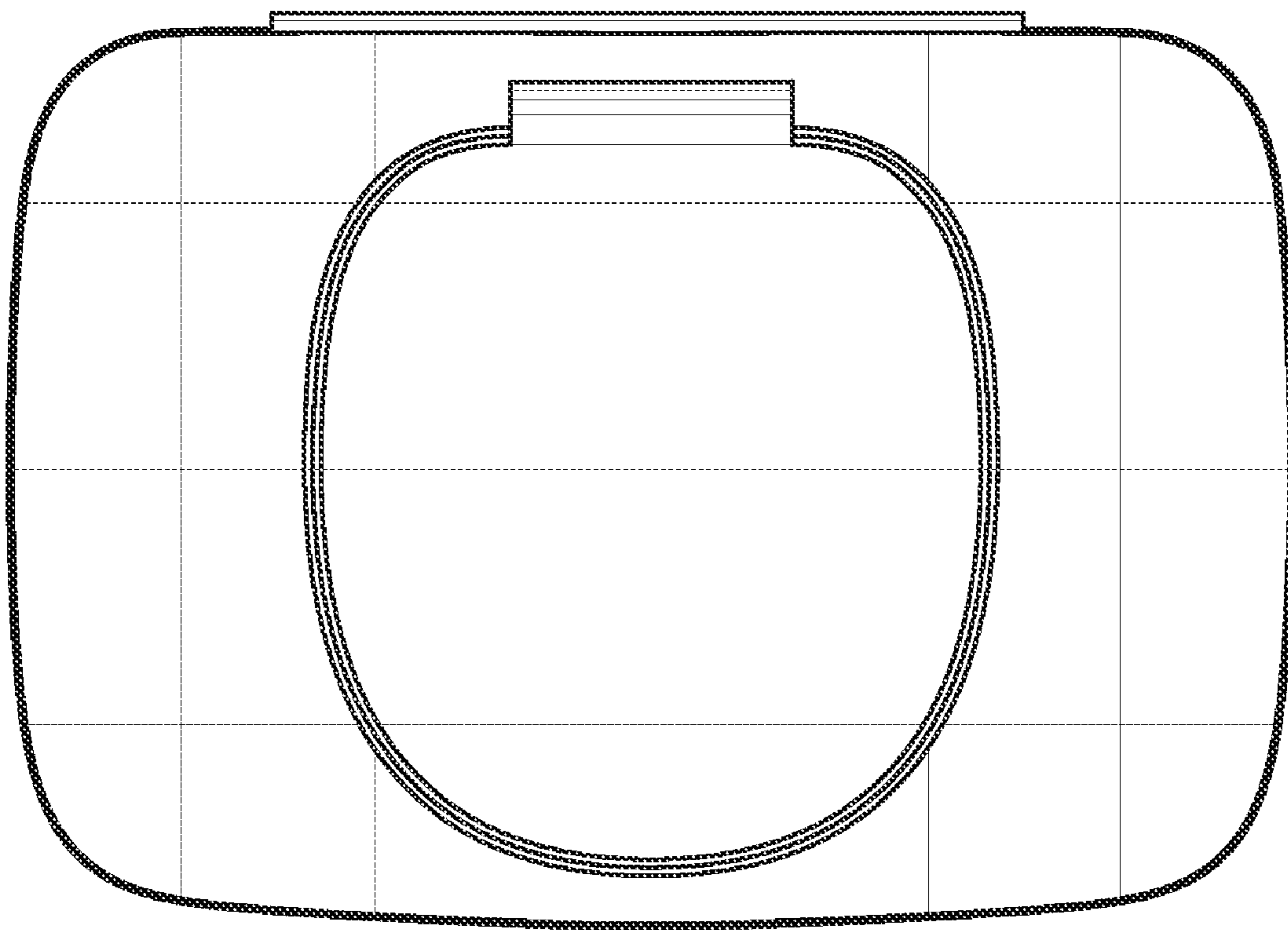


Fig. 6