



US00D632556S

(12) **United States Design Patent**
Van Camp et al.

(10) **Patent No.:** **US D632,556 S**
(45) **Date of Patent:** **** Feb. 15, 2011**

(54) **THRESHOLD SILL CAP CARRIAGE**

(75) Inventors: **Brent Van Camp**, Kernersville, NC
(US); **Andrew Krochmal**, Greensboro,
NC (US)

(73) Assignee: **Endura Products, Inc.**, Colfax, NC
(US)

(**) Term: **14 Years**

(21) Appl. No.: **29/354,063**

(22) Filed: **Jan. 19, 2010**

(51) **LOC (9) Cl.** **08-05**

(52) **U.S. Cl.** **D8/400**

(58) **Field of Classification Search** D8/330,
D8/360, 400-499; D25/199; 52/24-26,
52/545, 533, 98; 411/546; 49/468; D6/553-574,
D6/575-581

See application file for complete search history.

(56) **References Cited**

U.S. PATENT DOCUMENTS

D34,081 S *	2/1901	Crocker	D6/580
3,402,512 A	9/1968	Peterson		
3,900,967 A	8/1975	Bursk et al.		
4,052,826 A *	10/1977	Chisholm	52/98
4,352,258 A	10/1982	Bursk et al.		
4,387,535 A	6/1983	Corbo		
D270,516 S *	9/1983	Achille	D8/354
4,668,546 A *	5/1987	Hutter, III	428/41.8
5,179,804 A	1/1993	Young		
5,426,894 A	6/1995	Headrick		
5,517,788 A	5/1996	McGough et al.		
5,611,173 A	3/1997	Headrick et al.		
5,638,641 A	6/1997	Joffe et al.		
6,345,477 B1	2/2002	Kepler et al.		
6,360,489 B1	3/2002	Burge et al.		
6,367,201 B1	4/2002	Massey et al.		
6,484,446 B2	11/2002	Young		
D515,910 S *	2/2006	Gates et al.	D8/354
D518,326 S *	4/2006	Allsopp	D6/580
7,263,808 B2	9/2007	Massey et al.		
7,266,929 B1	9/2007	Allred et al.		

7,350,336 B2	4/2008	Bennett
7,389,611 B2	6/2008	Palenske
7,472,516 B2	1/2009	Pepper et al.
7,540,699 B2	6/2009	Selle
2004/0139667 A1	7/2004	Massey et al.
2005/0232724 A1	10/2005	Selle
2008/0229669 A1	9/2008	Abdollahzadeh et al.

FOREIGN PATENT DOCUMENTS

WO WO 01/73249 A1 10/2001

* cited by examiner

Primary Examiner—Cathron C Brooks

Assistant Examiner—Barbara Fox

(74) *Attorney, Agent, or Firm*—Womble Carlyle Sandridge & Rice, PLLC

(57) **CLAIM**

The ornamental design for a threshold sill cap carriage, as shown and described.

DESCRIPTION

FIG. 1 is a front perspective view of a threshold sill cap carriage showing my design;

FIG. 2 is a rear perspective view thereof;

FIG. 3 is a front view thereof;

FIG. 4 is a rear view thereof;

FIG. 5 is a right side view thereof;

FIG. 6 is a top view thereof;

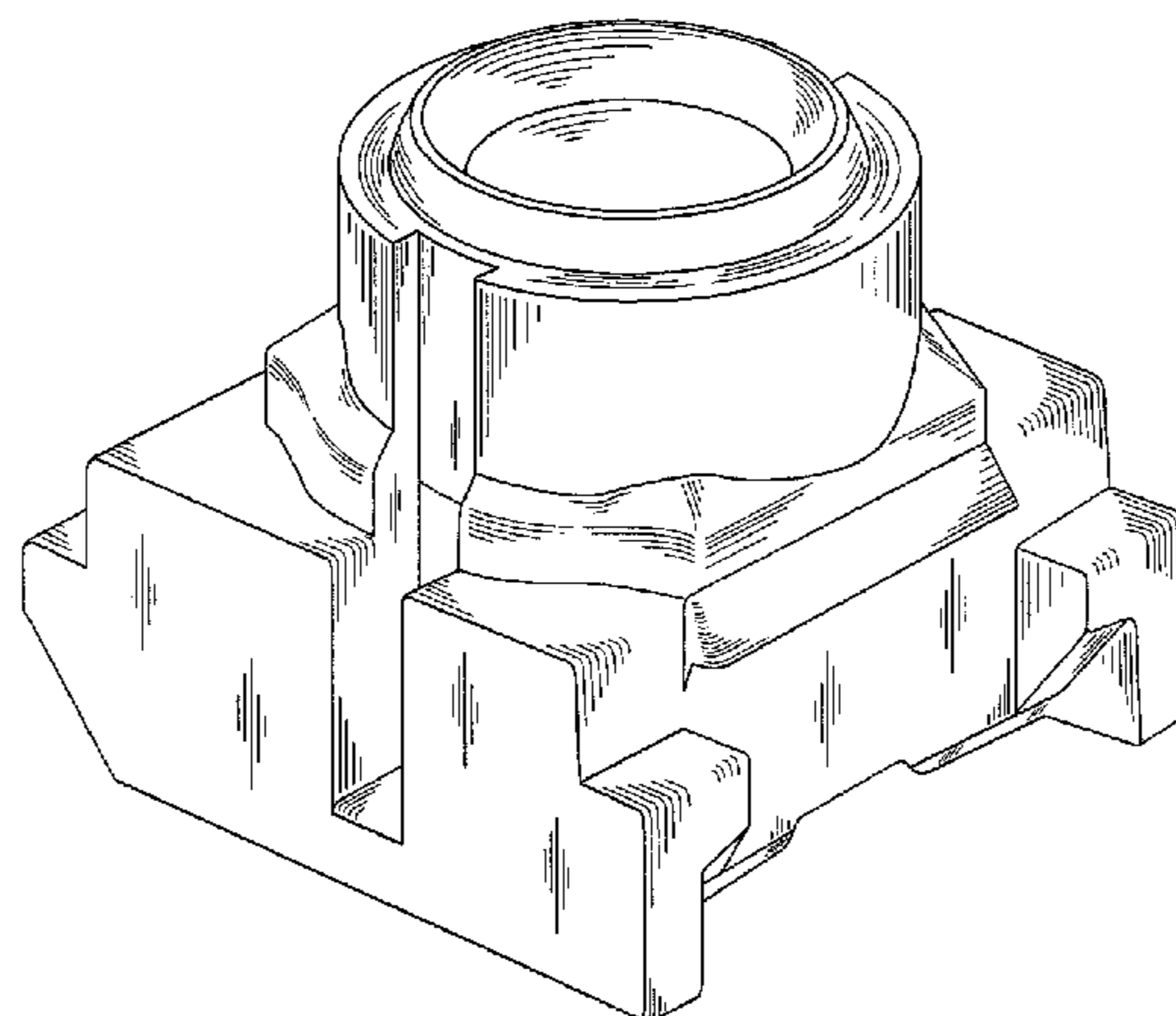
FIG. 7 is a bottom view thereof;

FIG. 8 is a partial cross section view thereof taken along lines 8—8 from FIG. 5; and,

FIG. 9 is a front perspective view thereof, showing environmental elements in an exploded view.

Any portion of the threshold sill cap carriage not shown forms no part of the claimed design. The dashed lines shown in FIG. 7 represent unclaimed portions of the design and form no part of the claimed design. The dashed lines in FIG. 9 refer to environmental elements and form no part of the claimed design.

1 Claim, 5 Drawing Sheets



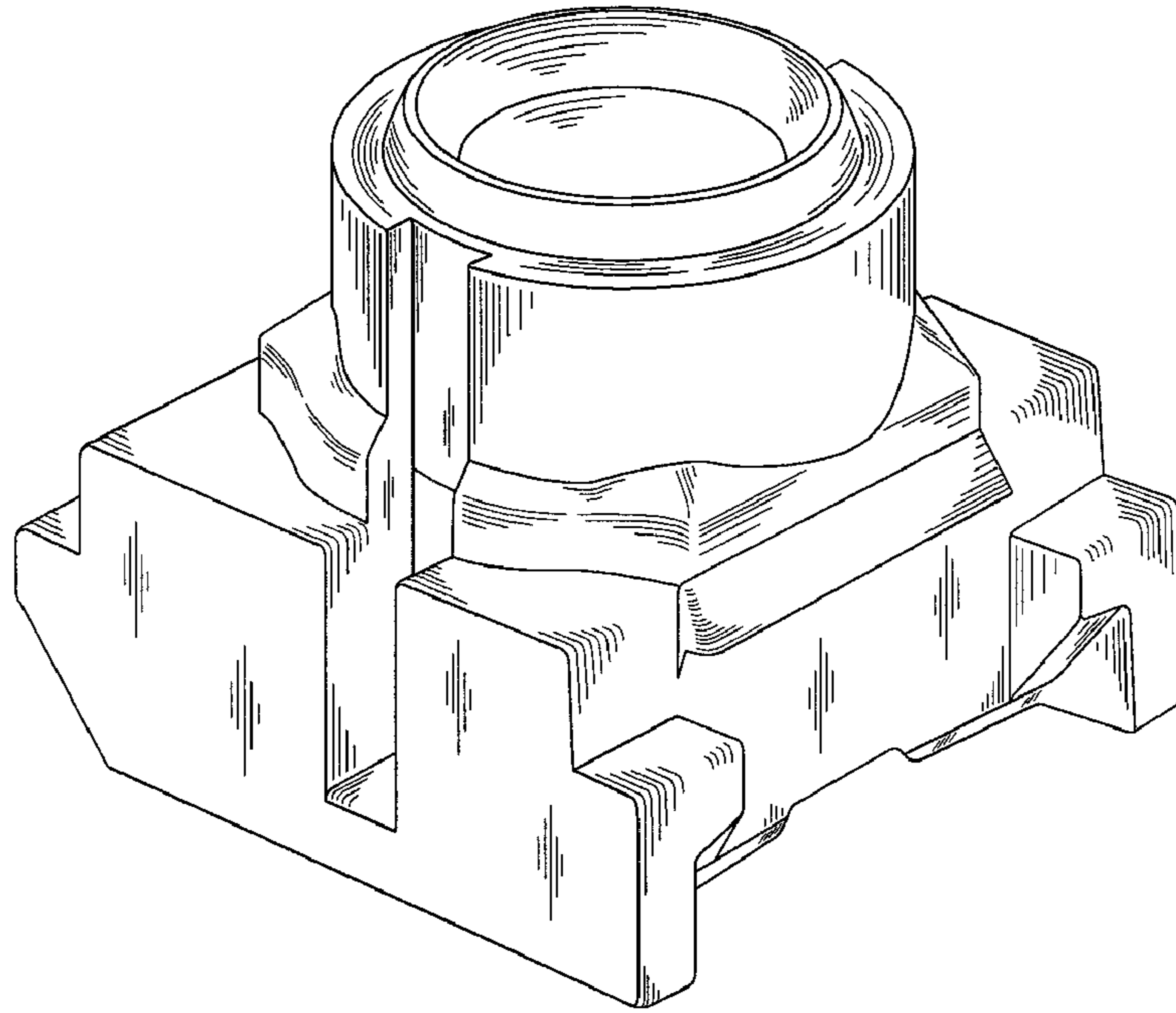


FIG. 1

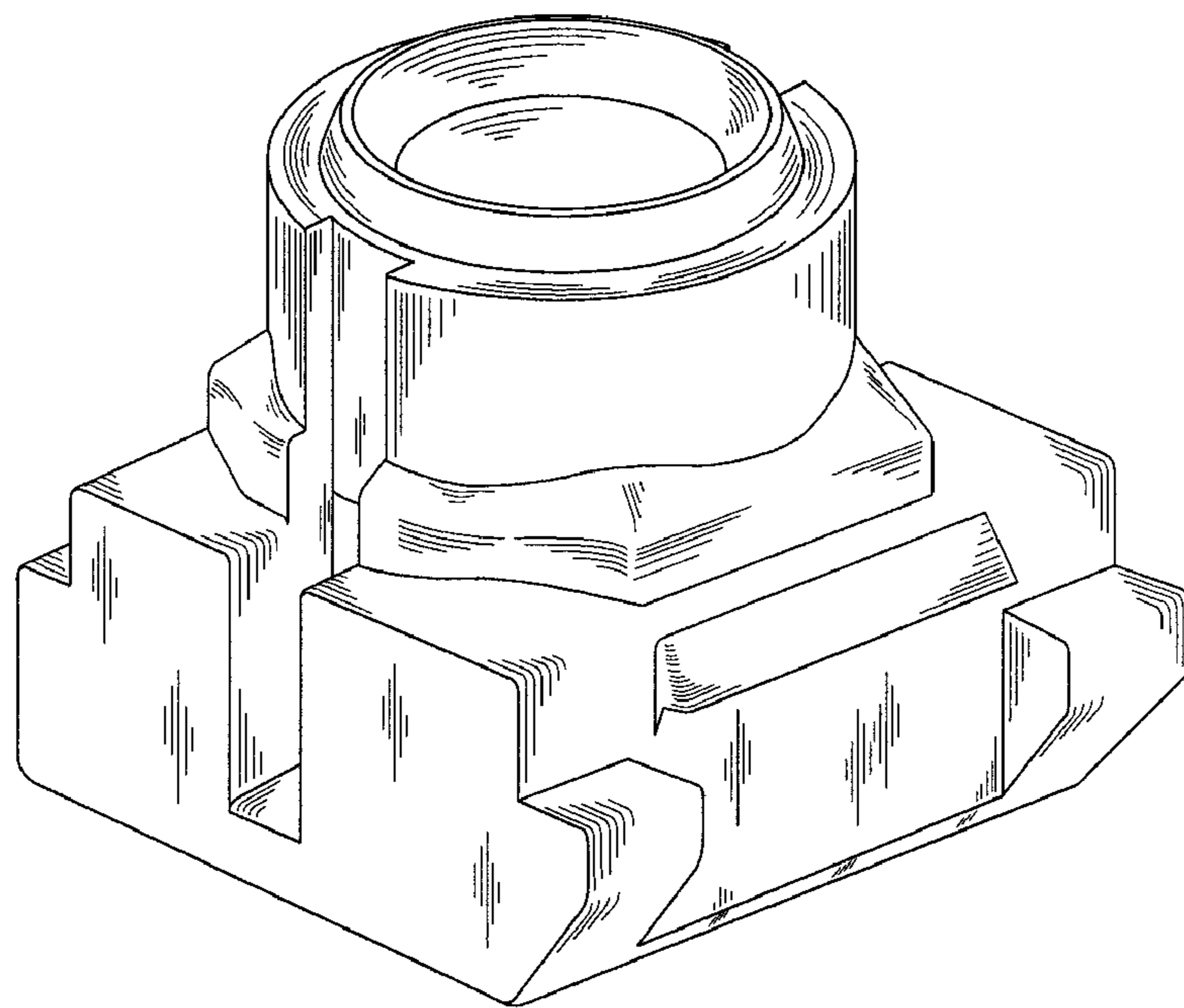


FIG. 2

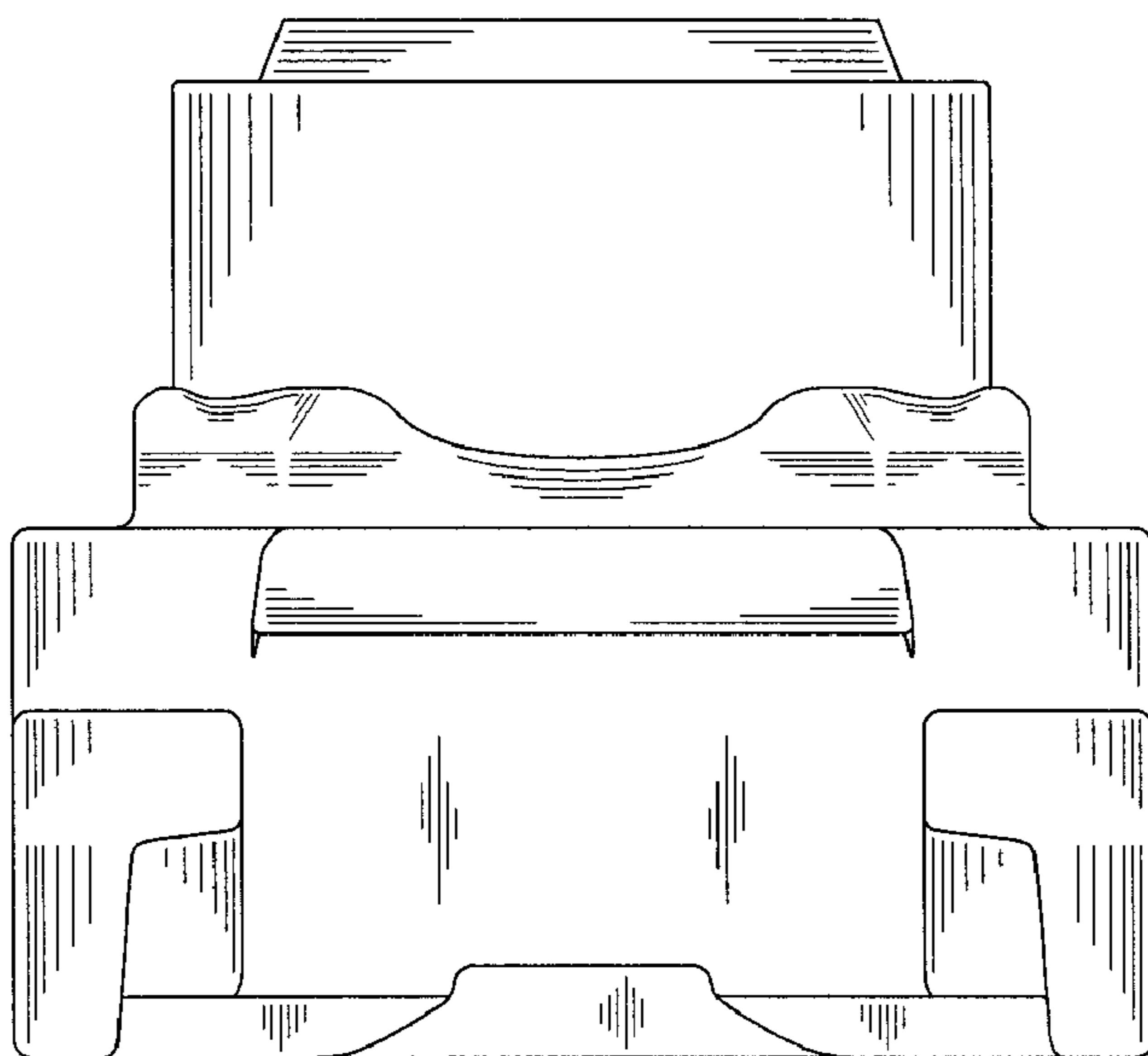


FIG. 3

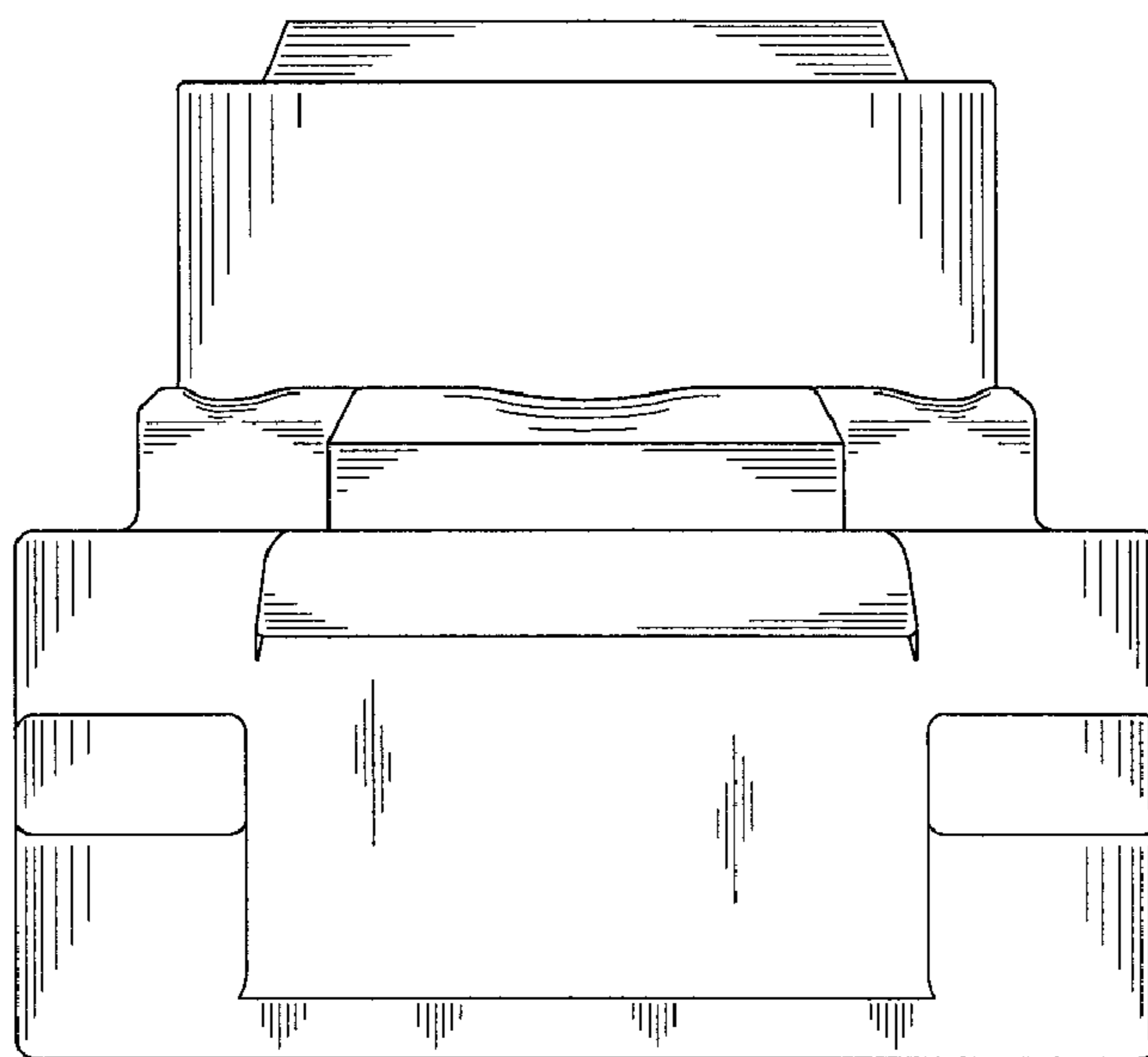


FIG. 4

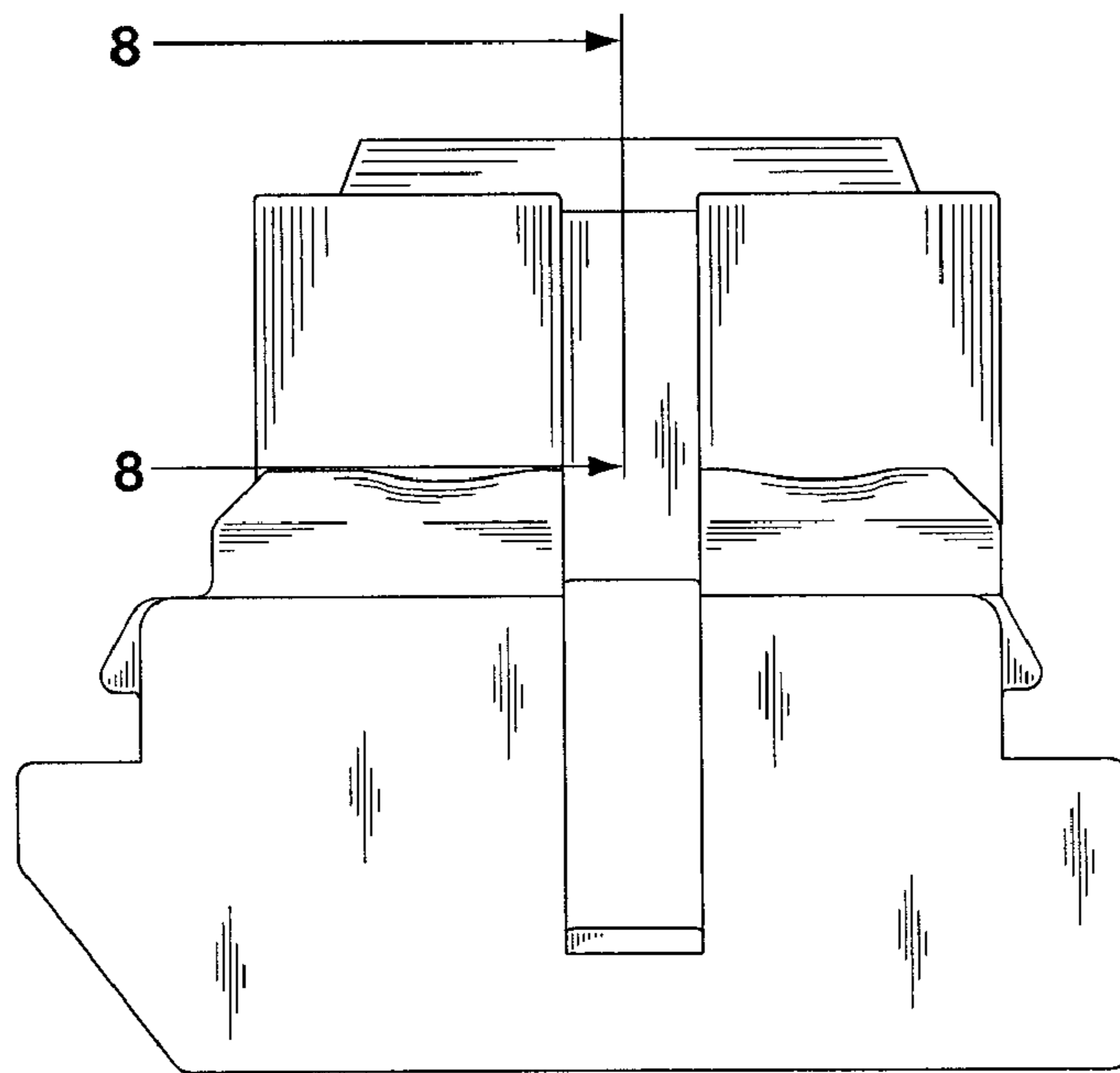


FIG. 5

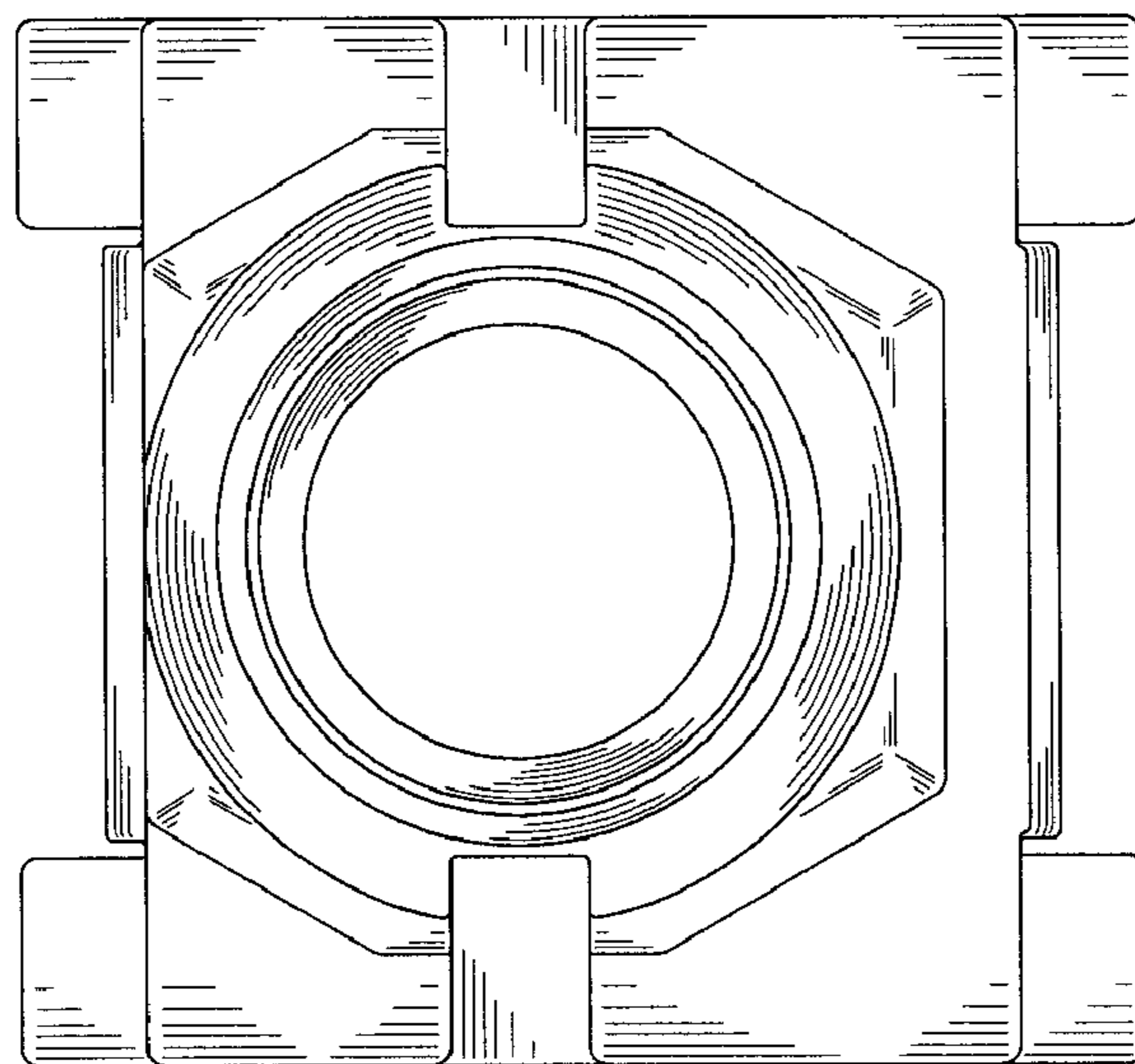


FIG. 6

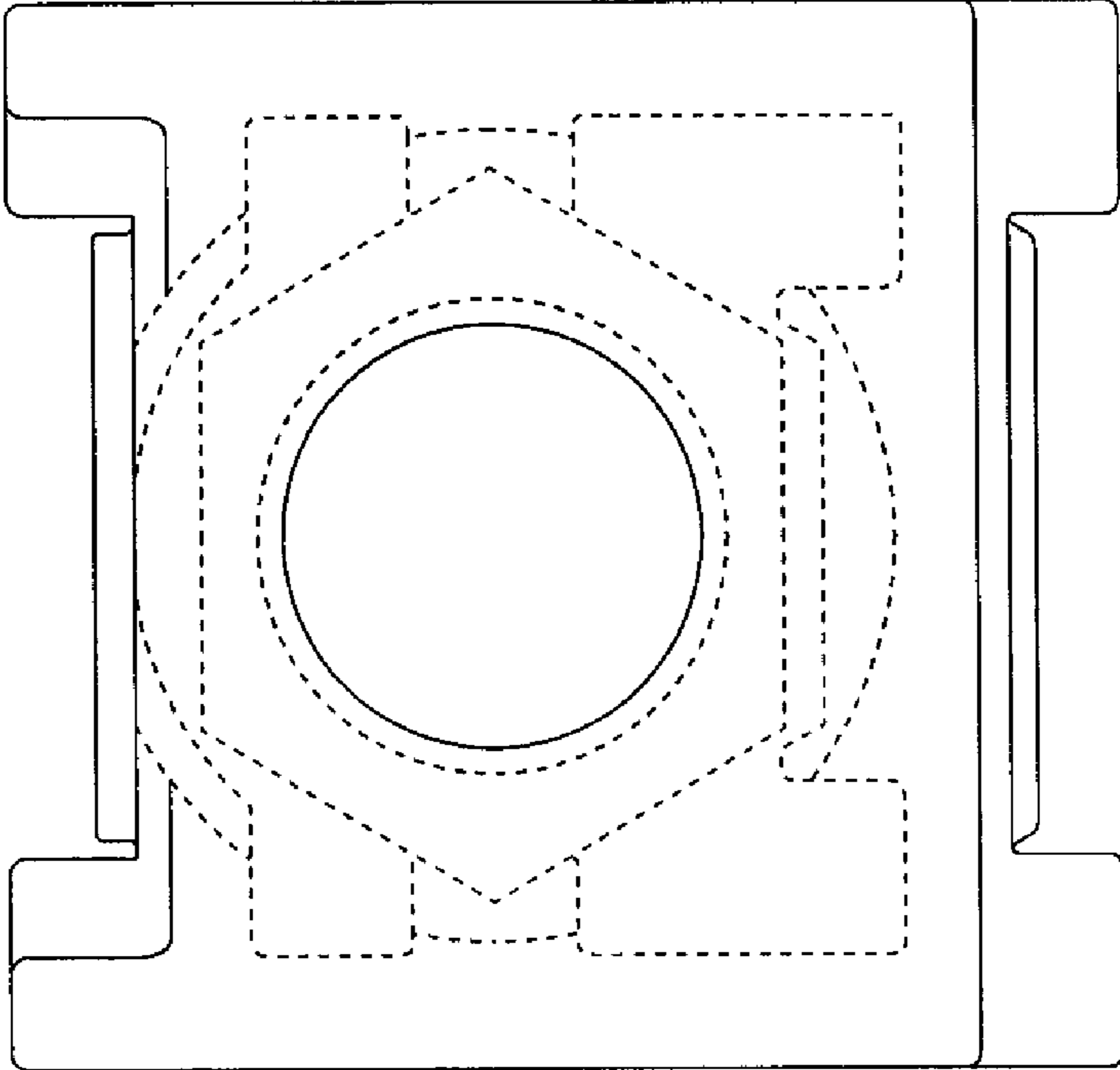


FIG. 7

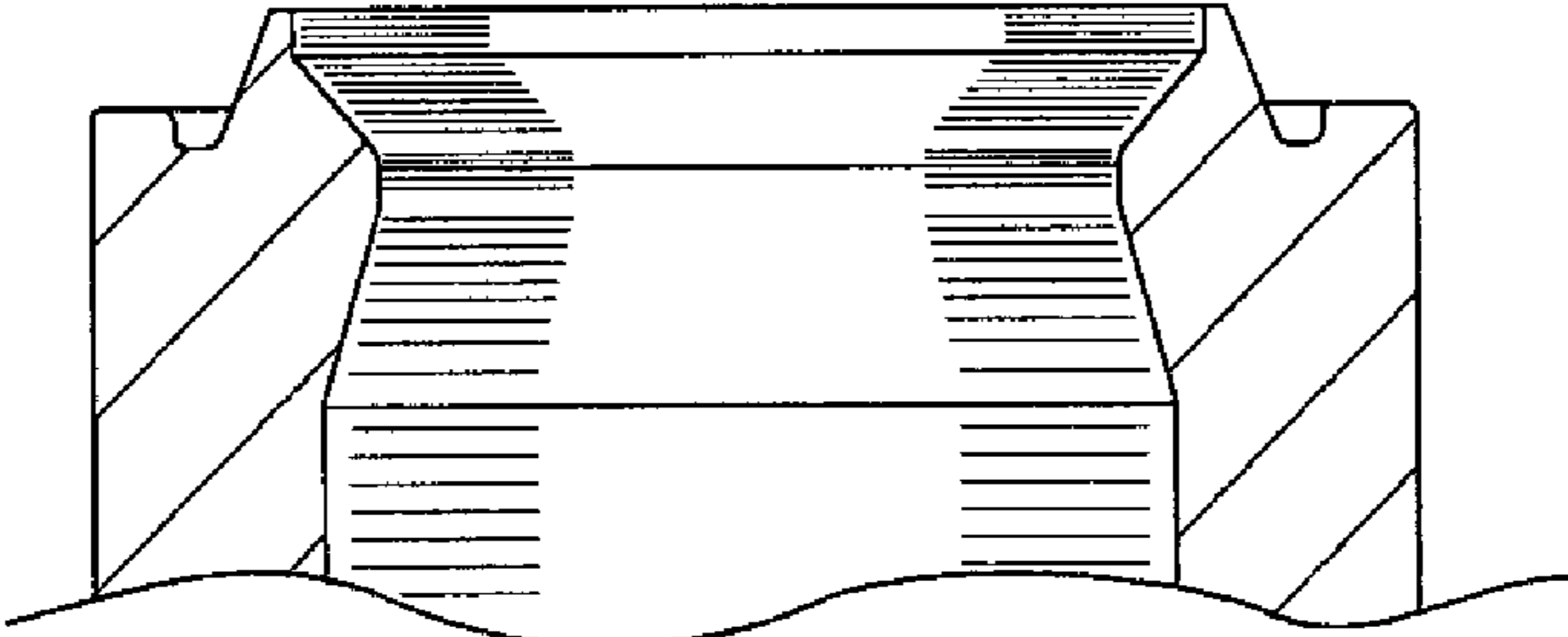


FIG. 8

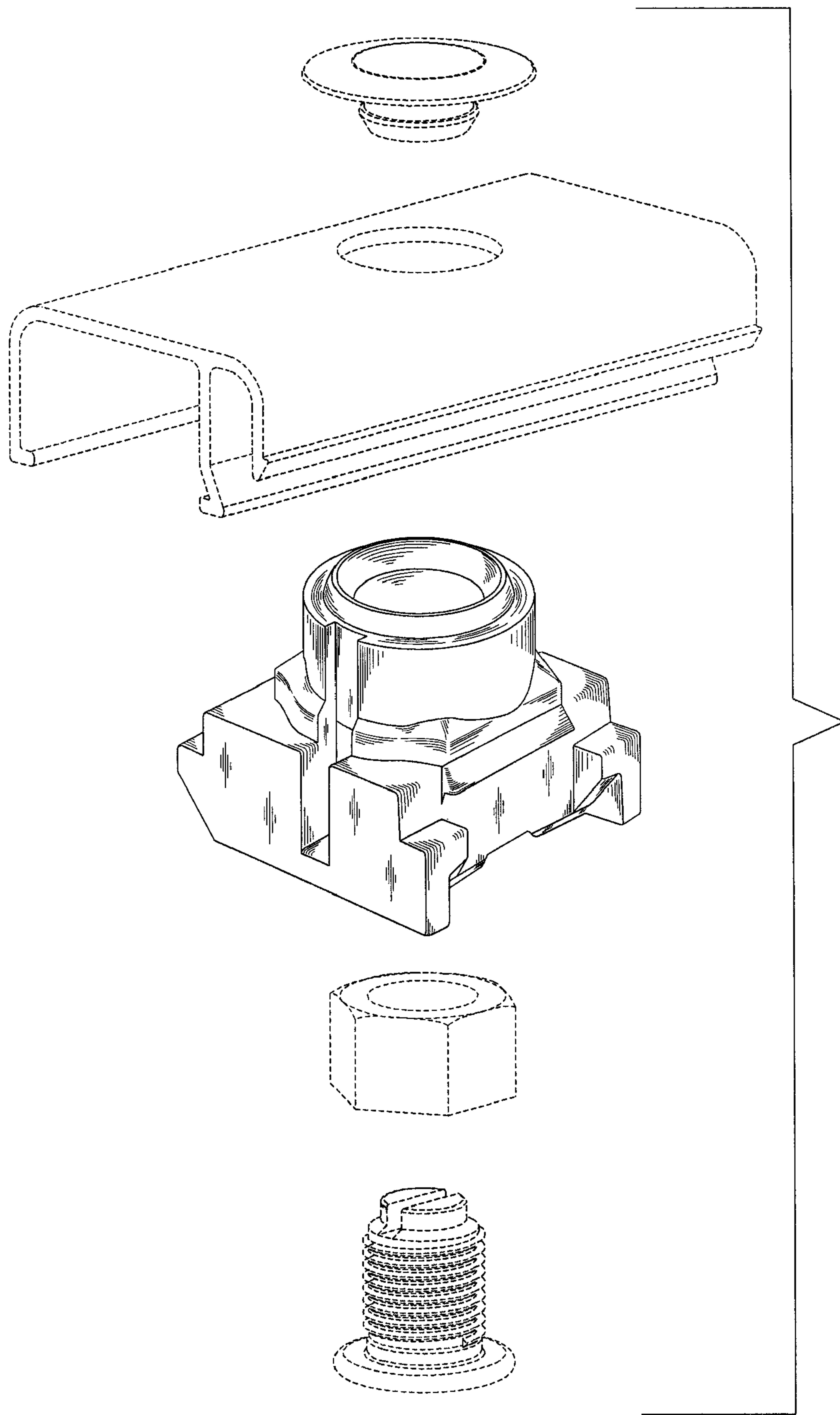


FIG. 9