



US00D632554S

(12) **United States Design Patent**  
**Grzyb**

(10) **Patent No.:** **US D632,554 S**

(45) **Date of Patent:** **\*\* Feb. 15, 2011**

(54) **CLIP**

(75) **Inventor:** **Krzysztof Grzyb**, Aurora, IL (US)

(73) **Assignee:** **Control Solutions LLC**, Aurora, IL (US)

(\*\*) **Term:** **14 Years**

(21) **Appl. No.:** **29/316,863**

(22) **Filed:** **Nov. 6, 2009**

(51) **LOC (9) Cl.** ..... **08-08**

(52) **U.S. Cl.** ..... **D8/395; D8/396**

(58) **Field of Classification Search** ..... D8/354, D8/356, 371, 394-396; D19/65, 86; D24/128; 248/74.2, 215, 227.1, 49, 300, 301, 316.7, 248/51, 489; 24/570, 3.12; D11/3, 4, 5  
See application file for complete search history.

(56) **References Cited**

**U.S. PATENT DOCUMENTS**

755,555	A *	3/1904	Weaver	.....	211/67
969,524	A *	9/1910	Condon	.....	224/247
1,530,180	A *	3/1925	Holmes	.....	211/65
1,962,953	A *	6/1934	Erwin	.....	24/566
2,807,431	A *	9/1957	McHale	.....	248/113
3,066,903	A *	12/1962	Tinnerman	.....	248/300
3,310,264	A *	3/1967	Appleton	.....	248/72
3,739,435	A *	6/1973	Baker	.....	292/305
4,119,285	A *	10/1978	Bisping et al.	.....	248/72
4,479,625	A *	10/1984	Martz	.....	248/74.1

4,958,792	A *	9/1990	Rinderer	.....	248/74.2
D358,691	S *	5/1995	Engle	.....	D32/54
5,462,212	A *	10/1995	Hertel, Jr.	.....	224/570
5,533,696	A *	7/1996	Laughlin et al.	.....	248/74.2
D426,577	S *	6/2000	Mackey et al.	.....	D19/89
6,494,415	B1 *	12/2002	Roth	.....	248/74.1
6,899,305	B2 *	5/2005	Korczak et al.	.....	248/68.1
7,097,142	B1 *	8/2006	Schmidt	.....	248/68.1
7,456,361	B2 *	11/2008	Hill	.....	174/84 C

\* cited by examiner

*Primary Examiner*—Celia A Murphy  
*Assistant Examiner*—John Windmuller

(74) *Attorney, Agent, or Firm*—The Eclipse Group LLP

(57) **CLAIM**

I claim the ornamental design for a clip, as shown and described.

**DESCRIPTION**

FIG. 1 is a top left perspective view of a clip showing my new design;

FIG. 2 is a top view thereof;

FIG. 3 is a front view thereof;

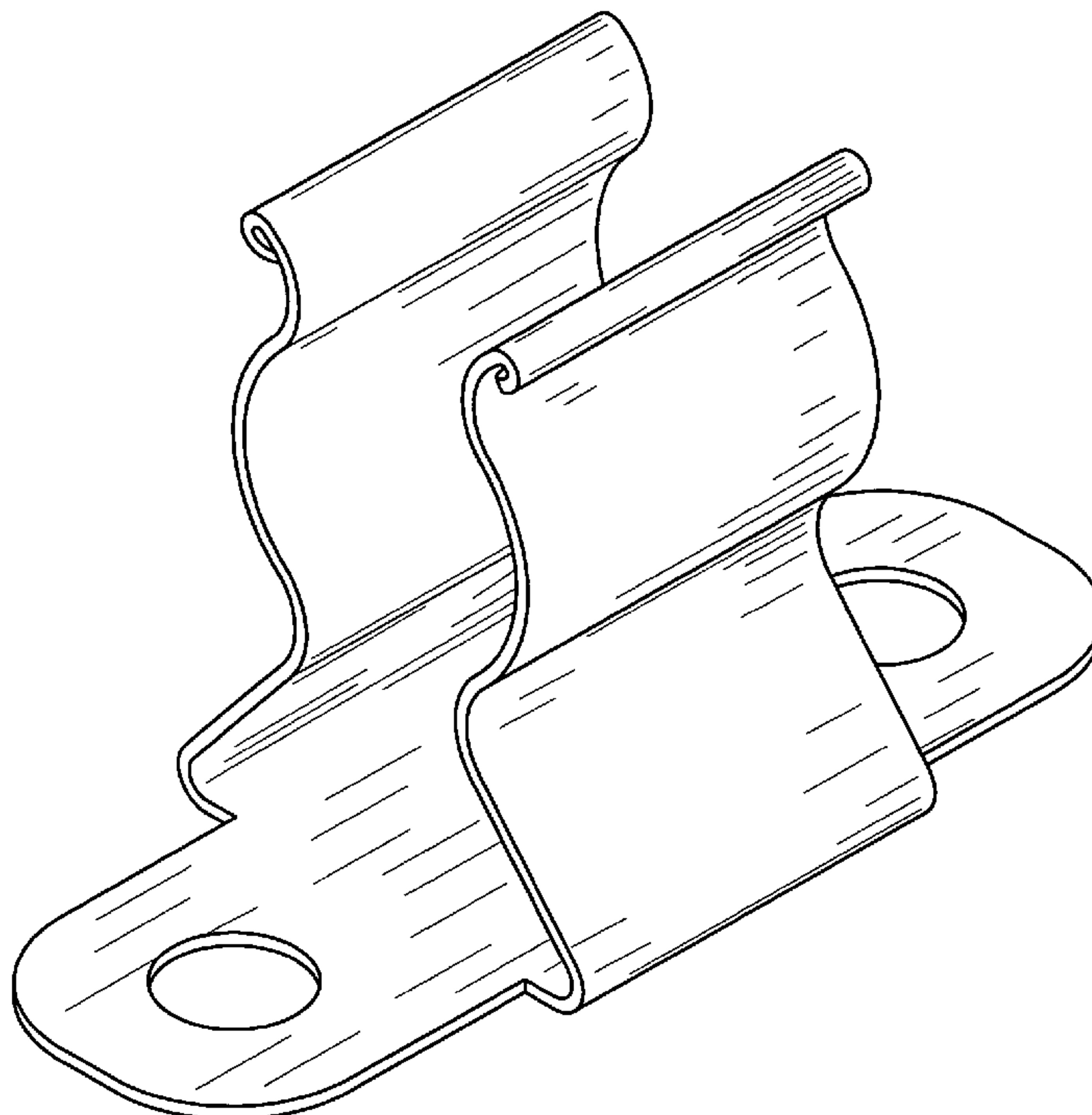
FIG. 4 is a left side view thereof;

FIG. 5 is a rear view thereof;

FIG. 6 is a right side view thereof; and,

FIG. 7 is a bottom view thereof.

**1 Claim, 2 Drawing Sheets**



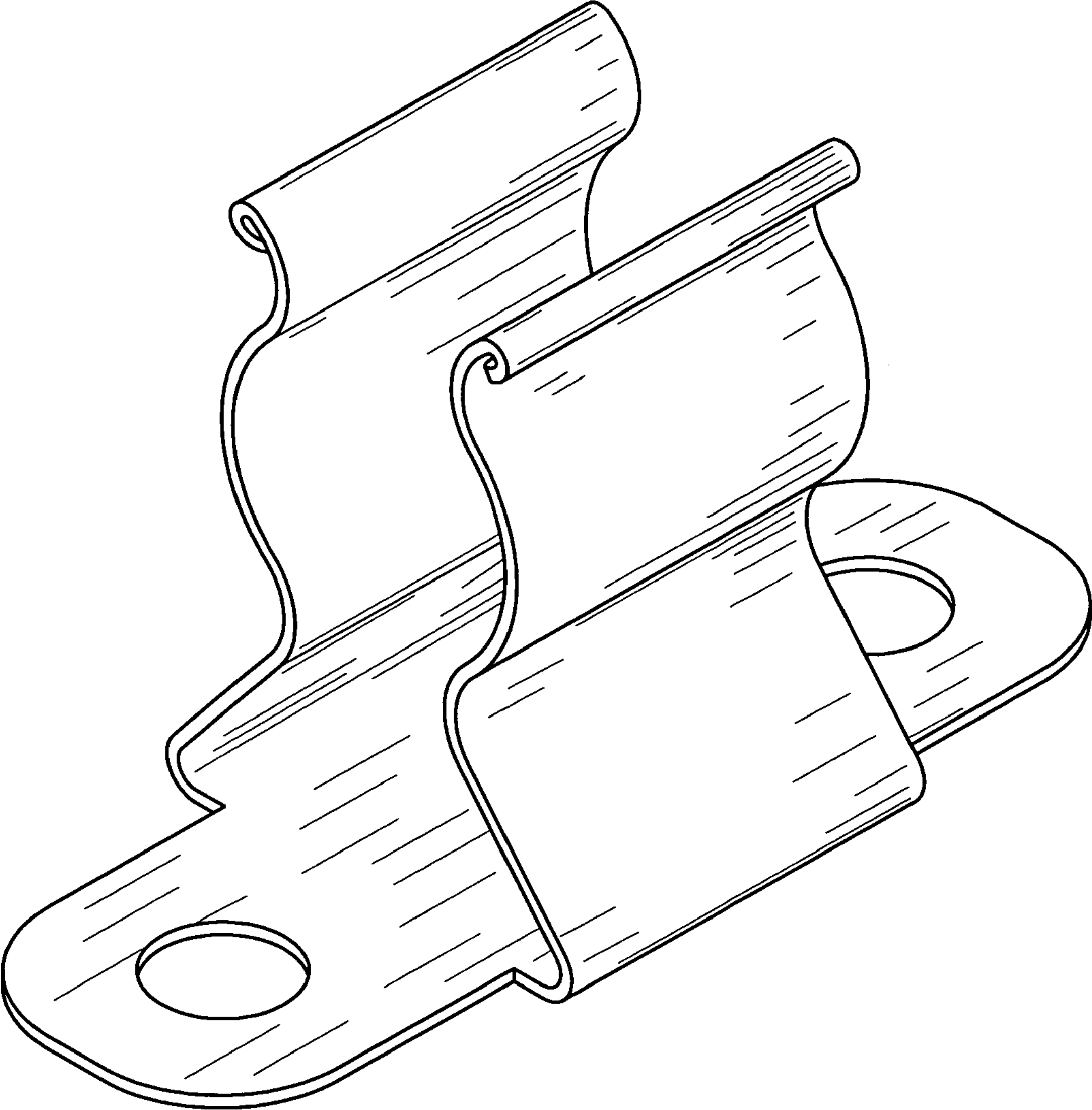


FIG. 1

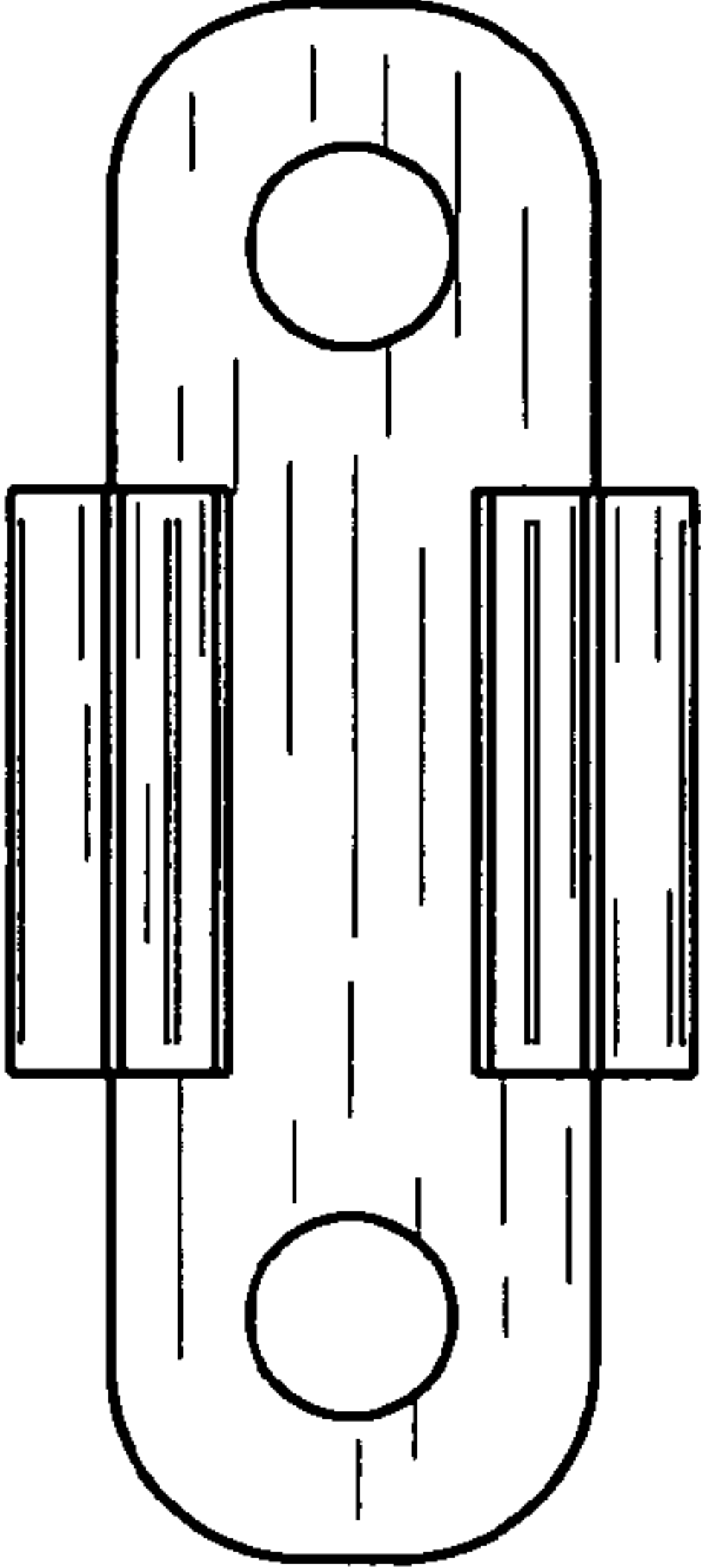


FIG. 2

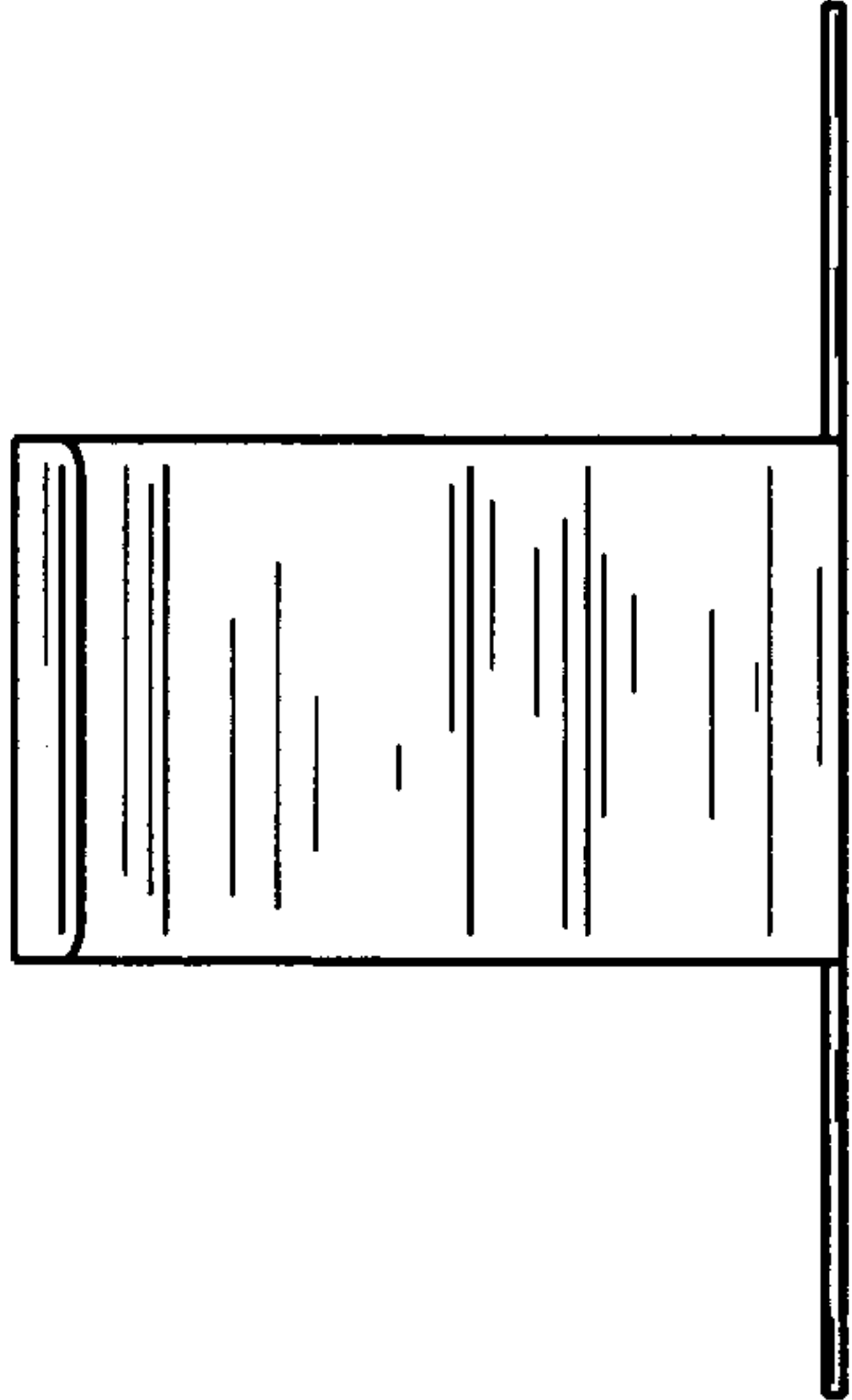


FIG. 3

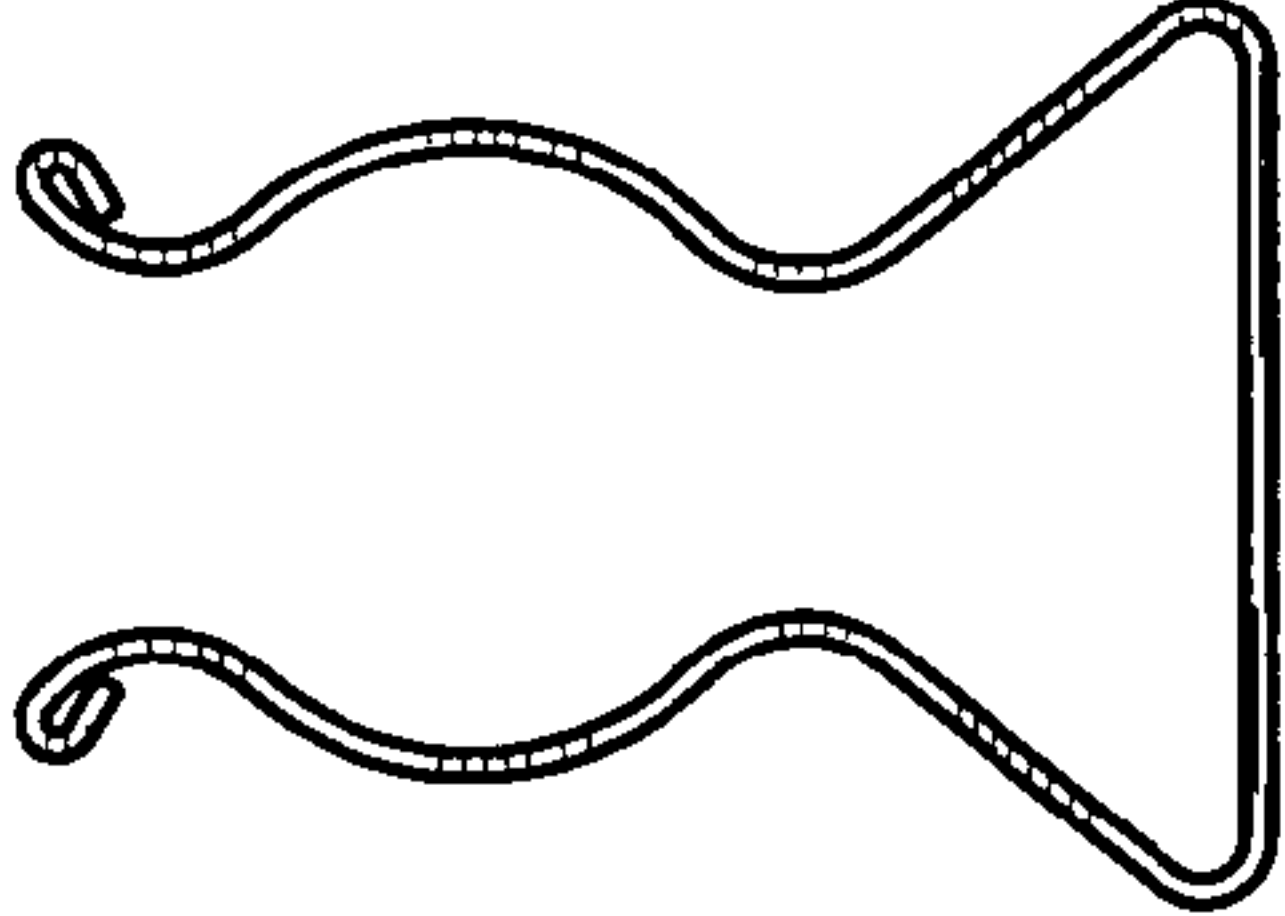


FIG. 4

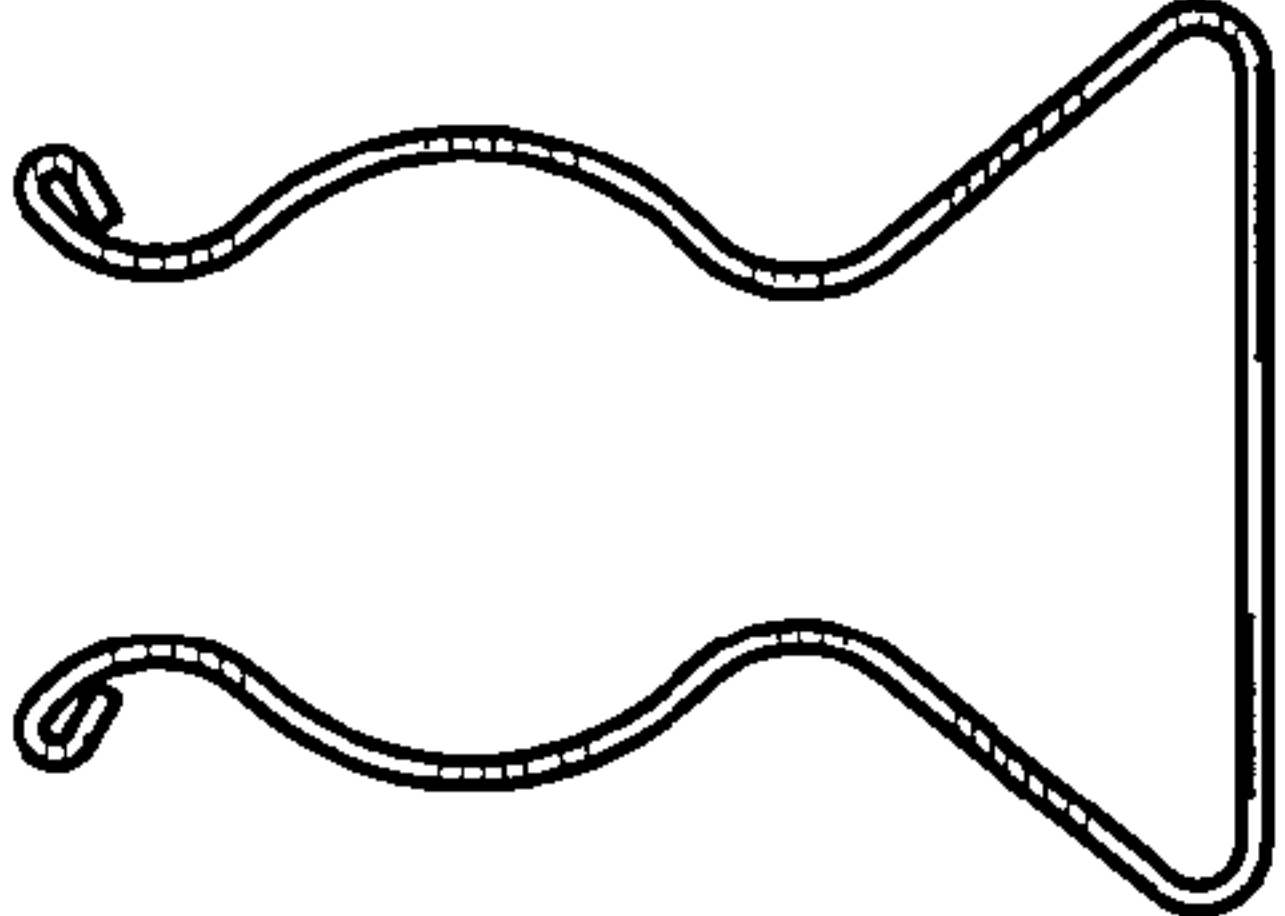


FIG. 6

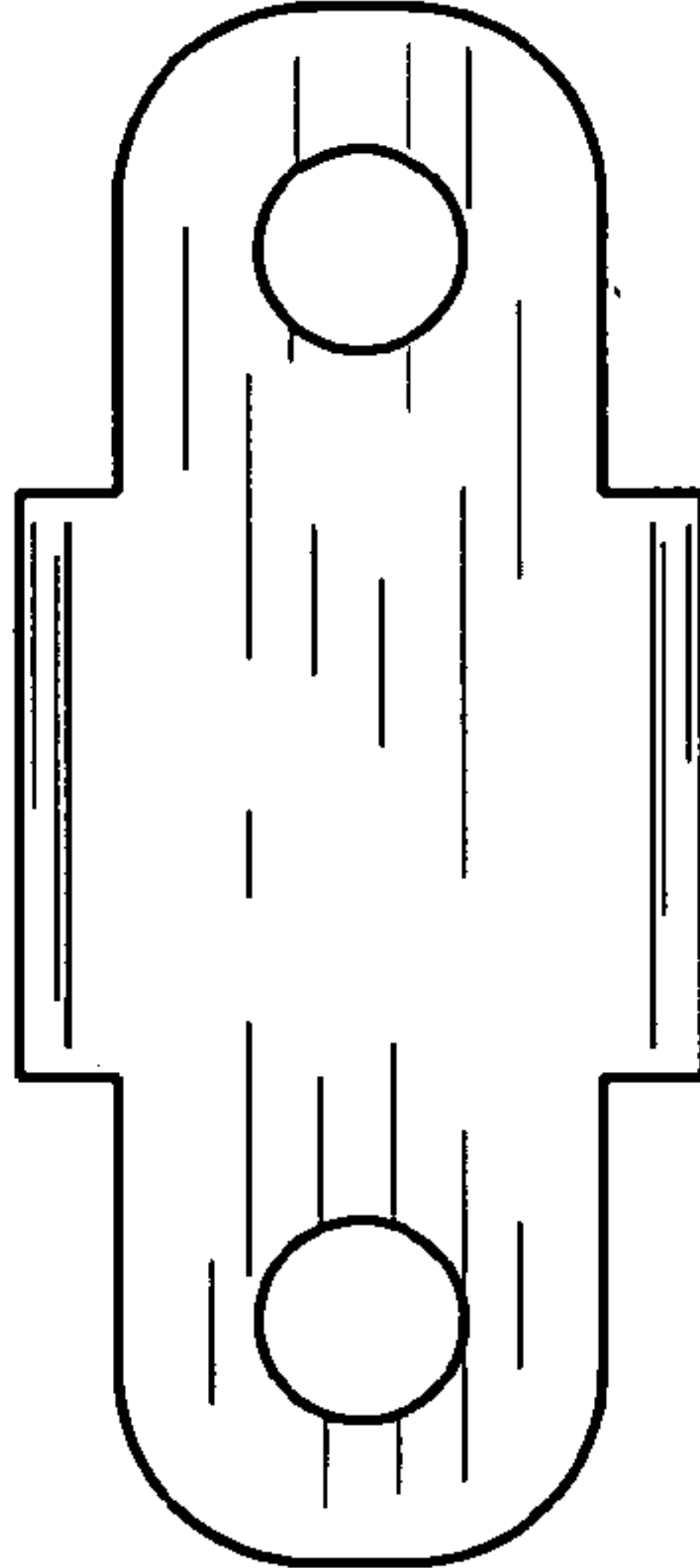


FIG. 7