



US00D632553S

(12) **United States Design Patent**  
**South**

(10) **Patent No.:** **US D632,553 S**

(45) **Date of Patent:** **\*\* Feb. 15, 2011**

(54) **WET SURFACE WALL MOUNT CONNECTOR**

D622,581 S \* 8/2010 Caggiano ..... D8/382

\* cited by examiner

(76) Inventor: **Lee P. South**, 3 McCarty Ct., Sandia Park, NM (US) 87047

*Primary Examiner*—Holly H Baynham

*Assistant Examiner*—Sheryl Lane

(\*\*) Term: **14 Years**

(74) *Attorney, Agent, or Firm*—QuickPatents, Inc.; Kevin Prince

(21) Appl. No.: **29/346,967**

(22) Filed: **Nov. 9, 2009**

(57) **CLAIM**

(51) **LOC (9) Cl.** ..... **08-08**

What is claimed is the ornamental design for a wet surface wall mount connector, as shown and described.

(52) **U.S. Cl.** ..... **D8/384**

(58) **Field of Classification Search** ..... D8/373,  
D8/354, 356, 349, 384, 382; D21/487; 248/200,  
248/300, 27.1; 52/293.3, 701, 712, 714  
See application file for complete search history.

**DESCRIPTION**

(56) **References Cited**

U.S. PATENT DOCUMENTS

D34,031 S *	2/1901	Milliban	.....	D8/385
D231,328 S *	4/1974	Nasser	.....	D8/384
D262,093 S *	12/1981	Bush et al.	.....	D8/386
D315,181 S *	3/1991	Meyer	.....	D21/487
D383,053 S *	9/1997	Schrader et al.	.....	D8/382
D520,351 S *	5/2006	Alkalay et al.	.....	D8/382
D558,037 S *	12/2007	Chelchowski et al.	.....	D8/382
D577,109 S *	9/2008	Smith et al.	.....	D23/358
D583,880 S *	12/2008	Slater et al.	.....	D21/487
D619,449 S *	7/2010	Smith et al.	.....	D8/382

FIG. 1 is an environmental front perspective view of a wet surface wall mount connector, showing the new design;

FIG. 2 is an alternate enlarged front perspective view thereof;

FIG. 3 is a top plan view thereof;

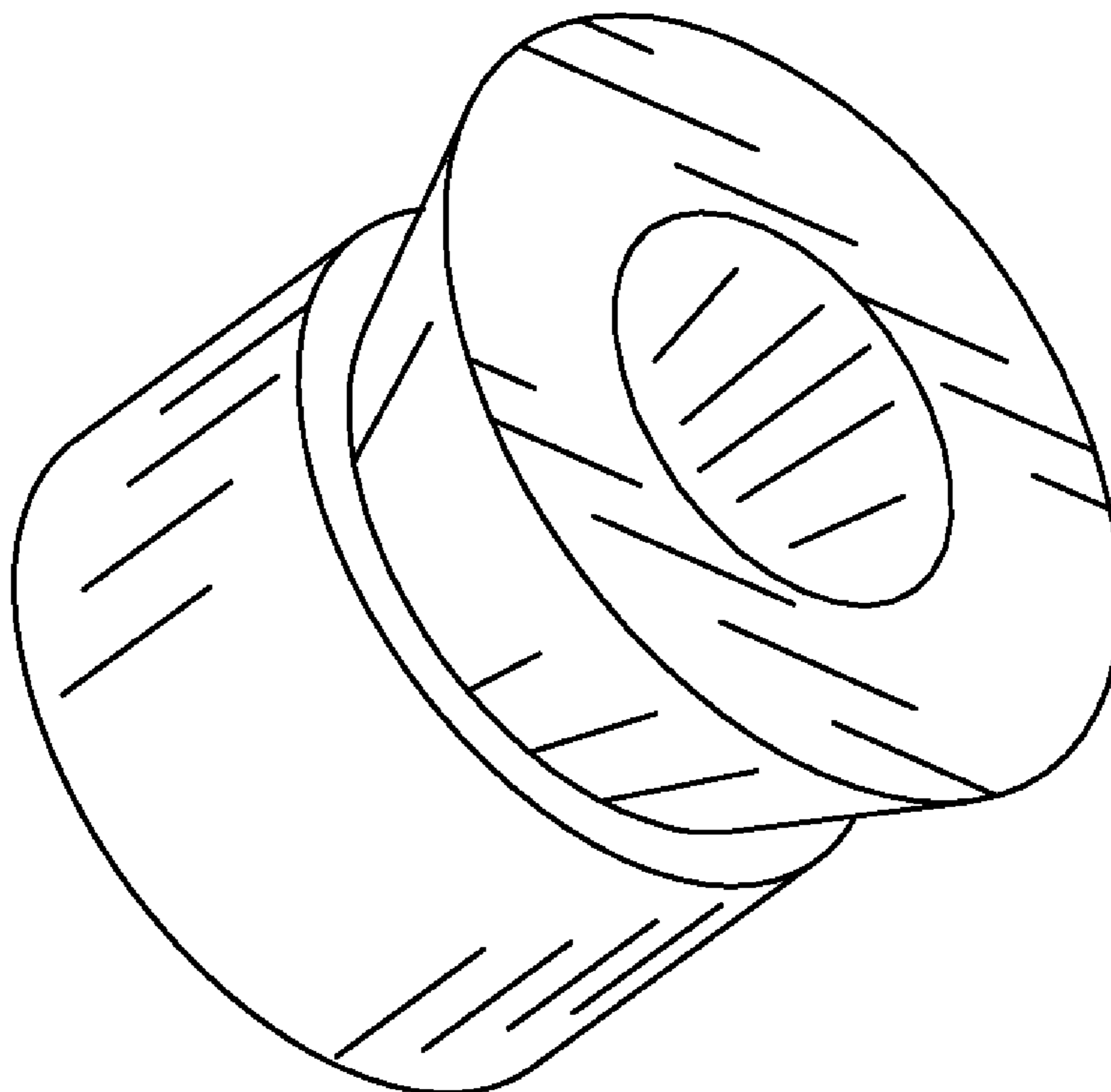
FIG. 4 is a bottom plan view thereof;

FIG. 5 is a left-side elevational view, the right-side elevational view, front elevational view, and rear elevational view all being a mirror image thereof; and,

FIG. 6 is a rear perspective view thereof.

The broken lines showing a wall mount grid and wall anchor in FIG. 1 are included for the purpose of illustrating the invention in use, and form no part of the claimed design.

**1 Claim, 1 Drawing Sheet**



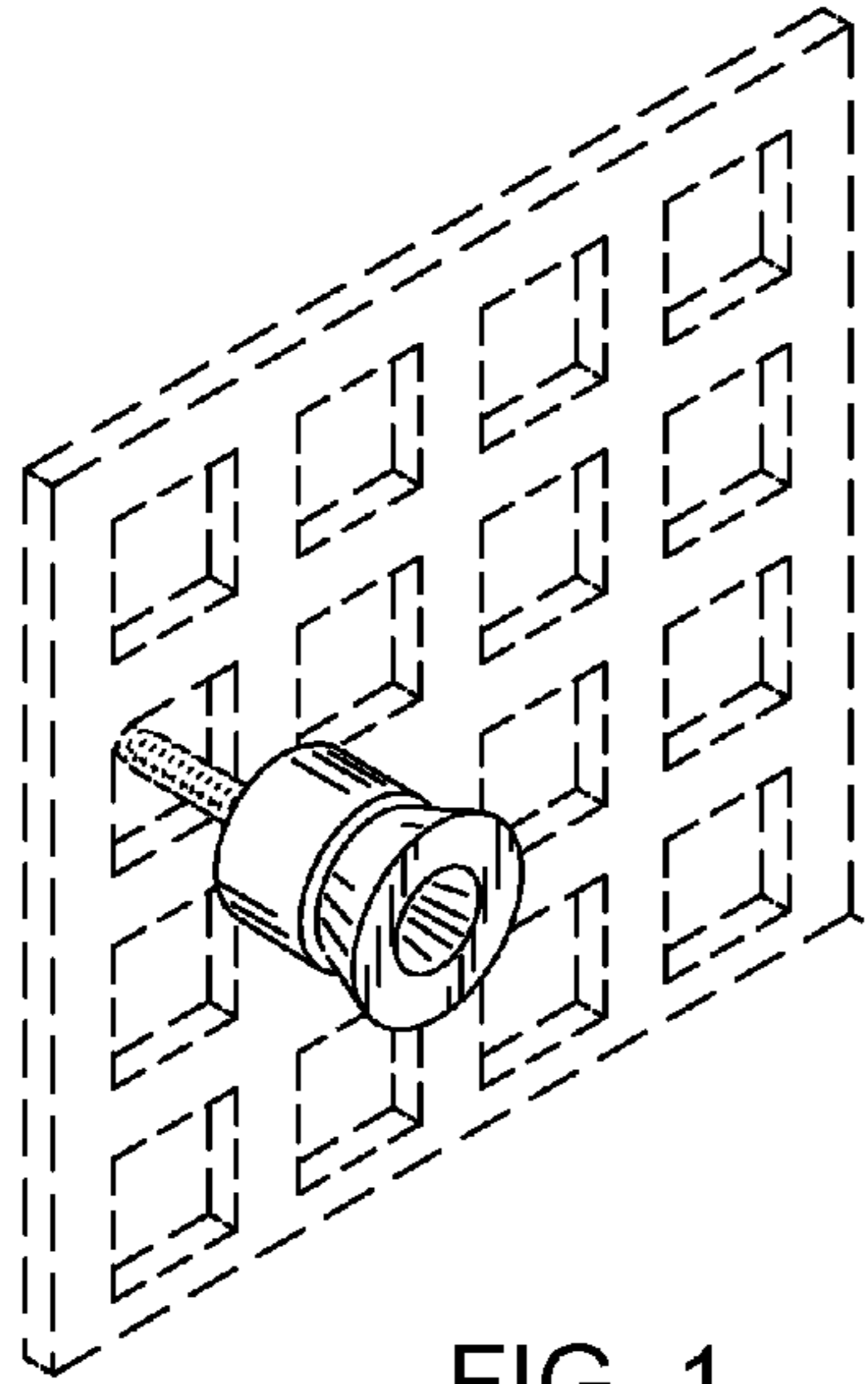


FIG. 1

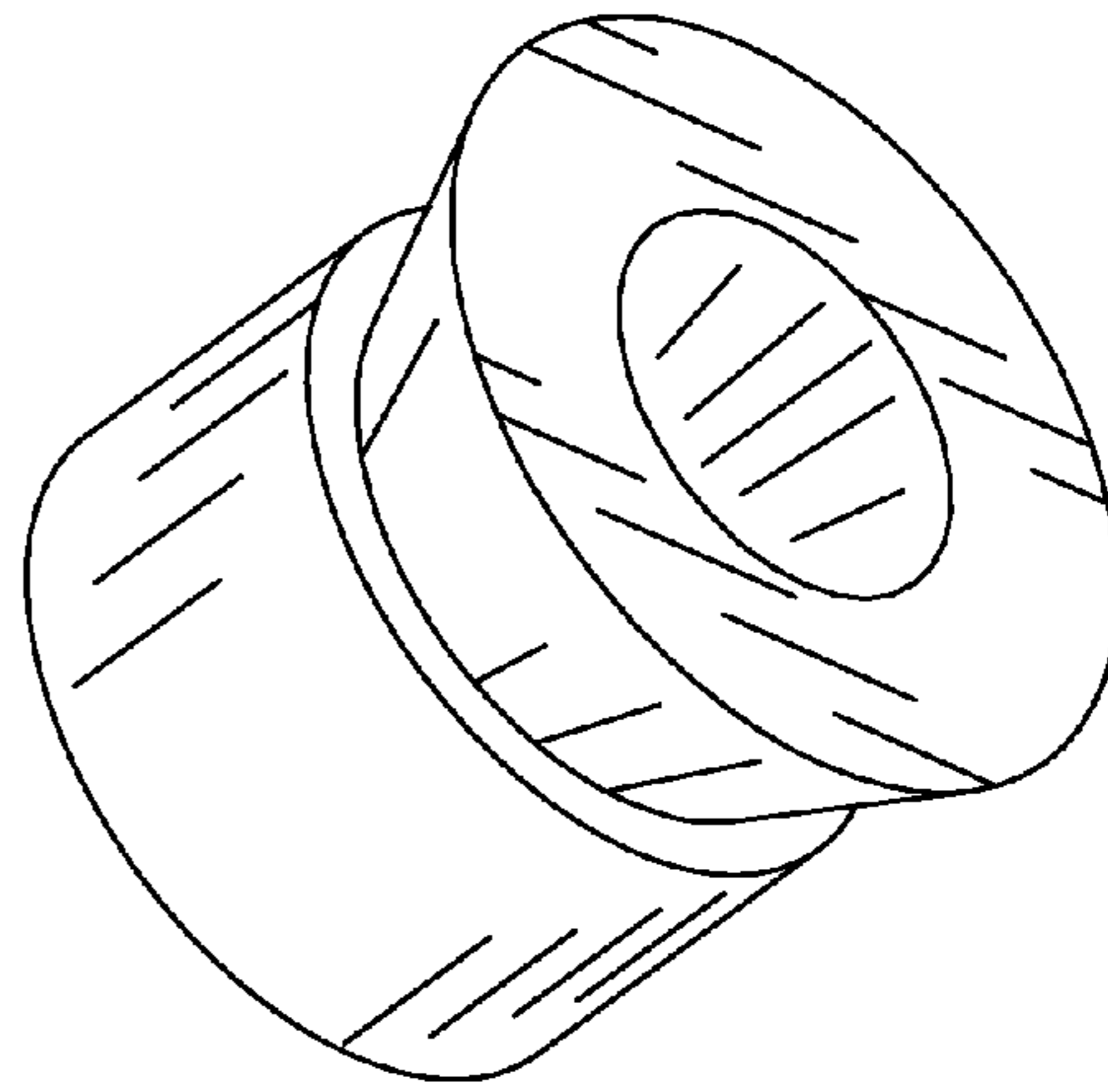


FIG. 2

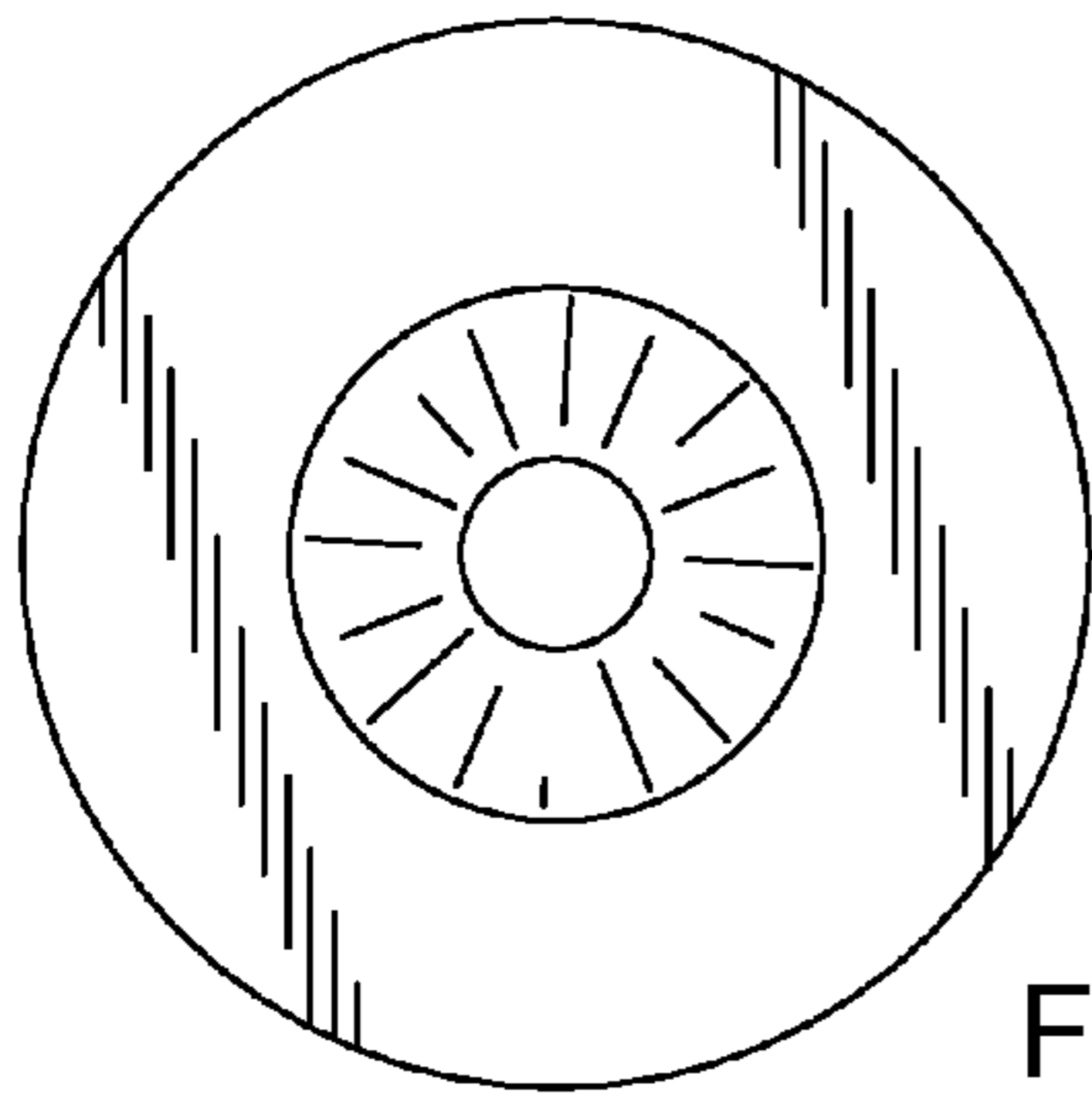


FIG. 3

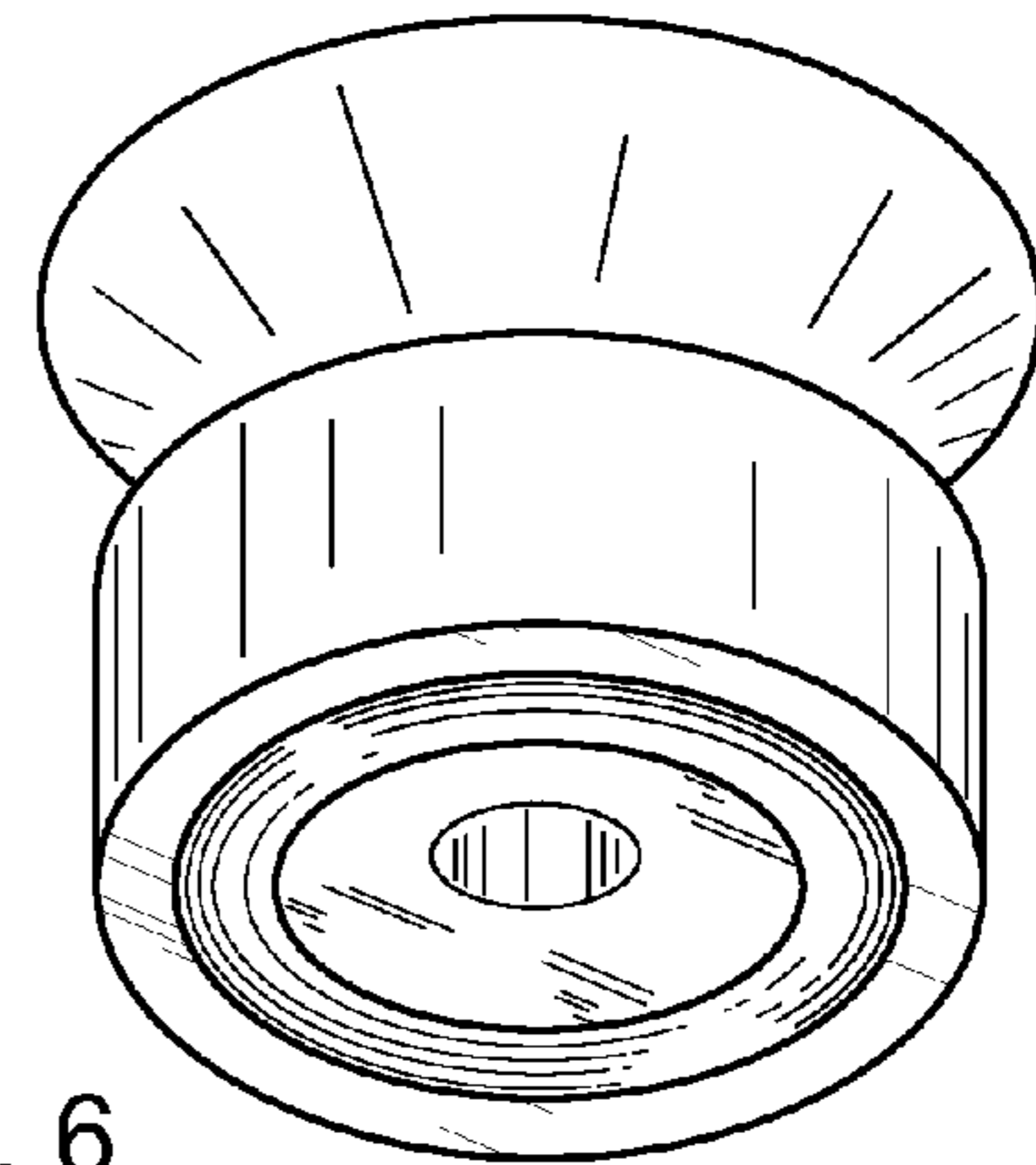


FIG. 6

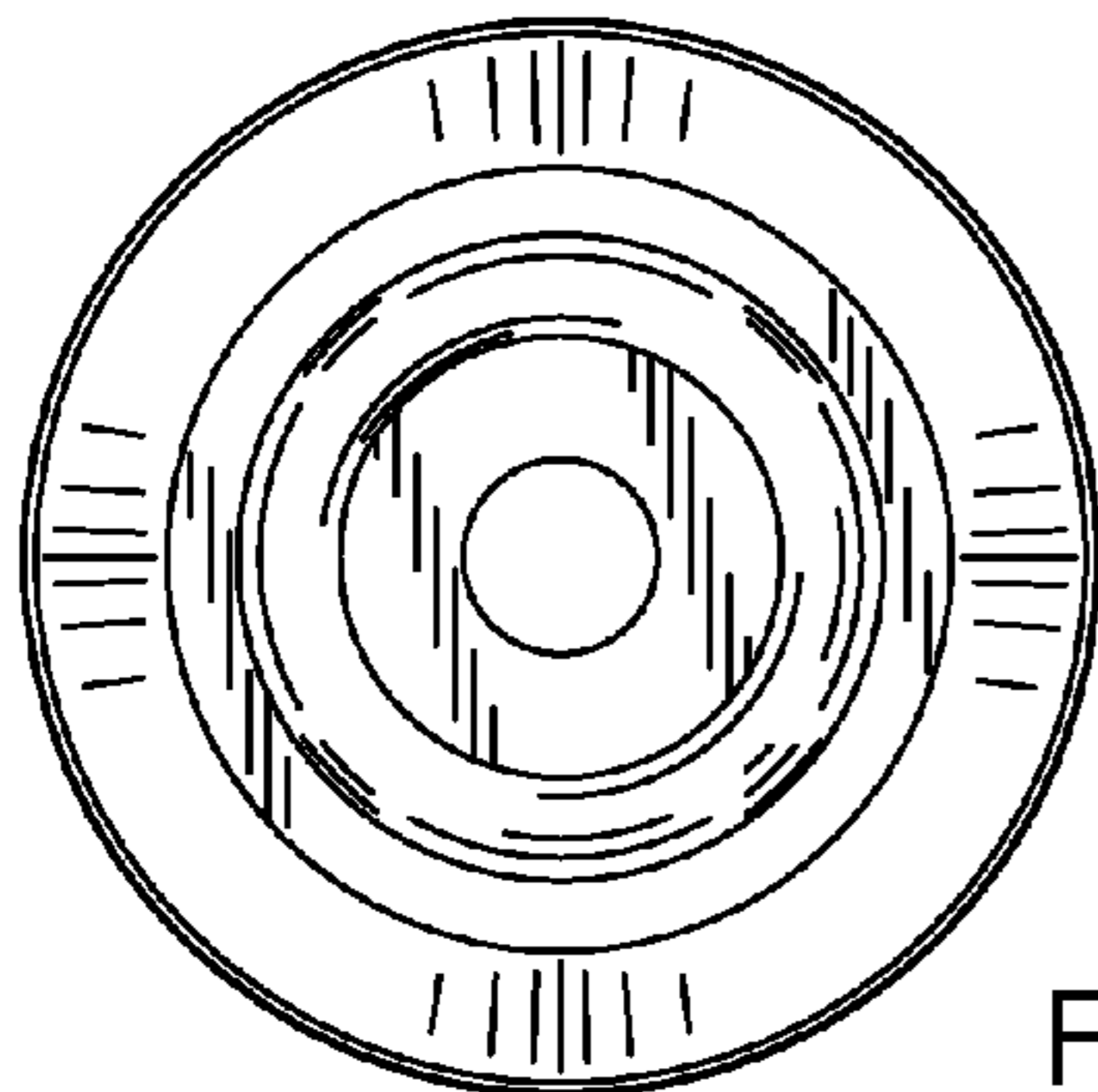


FIG. 4

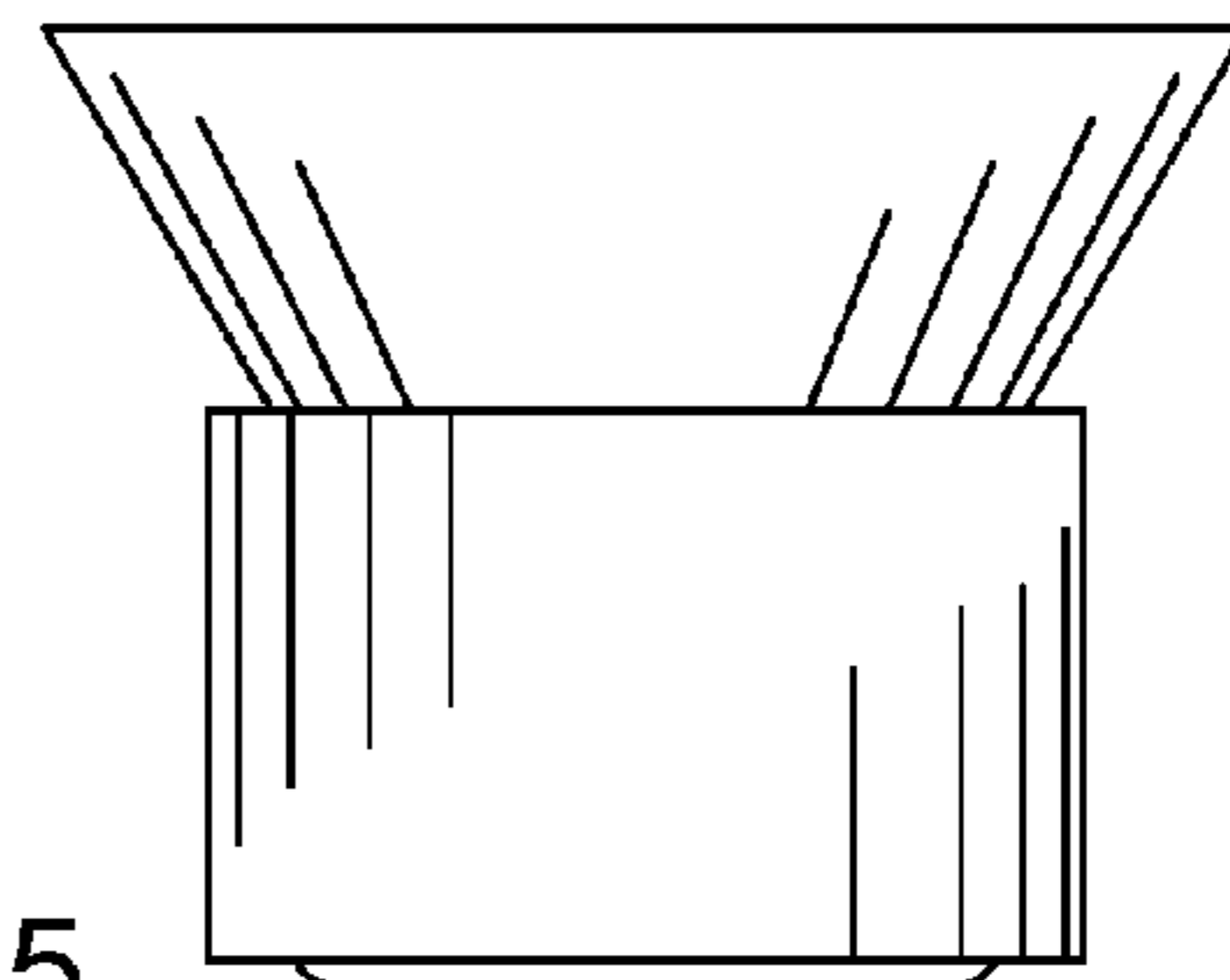


FIG. 5