



US00D632552S

(12) **United States Design Patent**
Jostad

(10) **Patent No.:** **US D632,552 S**
(45) **Date of Patent:** **** Feb. 15, 2011**

(54) **LOCK JOINT**

(76) Inventor: **Howard D. Jostad**, 29750 371st La.,
Henderson, MN (US) 56044

(**) Term: **14 Years**

(21) Appl. No.: **29/350,818**

(22) Filed: **Nov. 24, 2009**

(51) **LOC (9) Cl.** **08-08**

(52) **U.S. Cl.** **D8/382**

(58) **Field of Classification Search** D8/382,
D8/354, 349, 373; 403/169, 167; 248/300,
248/309.1; 52/702, 712, 586.1, 582.1, 650.3;
D25/114

See application file for complete search history.

(56) **References Cited**

U.S. PATENT DOCUMENTS

- 2,619,574 A * 11/1952 Lambert 219/105
- 3,572,781 A * 3/1971 Merrilees et al. 403/286
- 4,831,808 A * 5/1989 Wynar 52/715

* cited by examiner

Primary Examiner—Holly H Baynham

Assistant Examiner—Sheryl Lane

(74) *Attorney, Agent, or Firm*—Altera Law Group, LLC

(57) **CLAIM**

The ornamental design for a lock joint, as shown and described.

DESCRIPTION

FIG. 1 is a perspective view of one piece of the lock joint.

FIG. 2 is a top view thereof.

FIG. 3 is a bottom view thereof.

FIG. 4 is a front view thereof.

FIG. 5 is a back view thereof.

FIG. 6 is a right side view thereof.

FIG. 7 is a perspective view of the opposite piece of the lock joint.

FIG. 8 is a top view thereof.

FIG. 9 is a bottom view thereof.

FIG. 10 is a is a front view thereof.

FIG. 11 is a back view thereof.

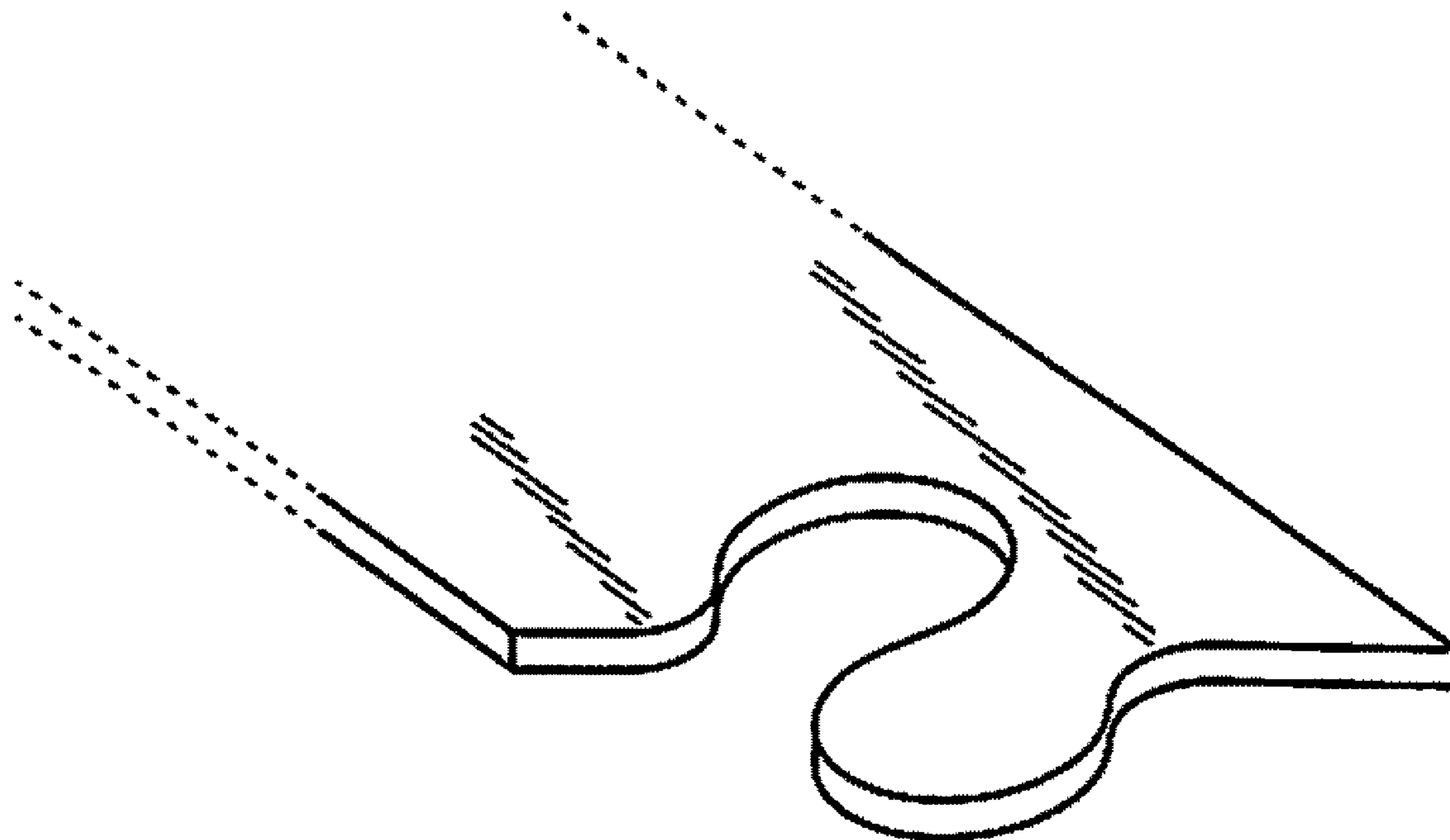
FIG. 12 is a left side view thereof.

FIG. 13 is a plan view of both pieces of the lock joint; and,

FIG. 14 is a plan view of both pieces of the lock joint.

The broken line showing of the lock joint is included for the purpose of illustrating portions of the article and forms no part of the claimed design.

1 Claim, 5 Drawing Sheets



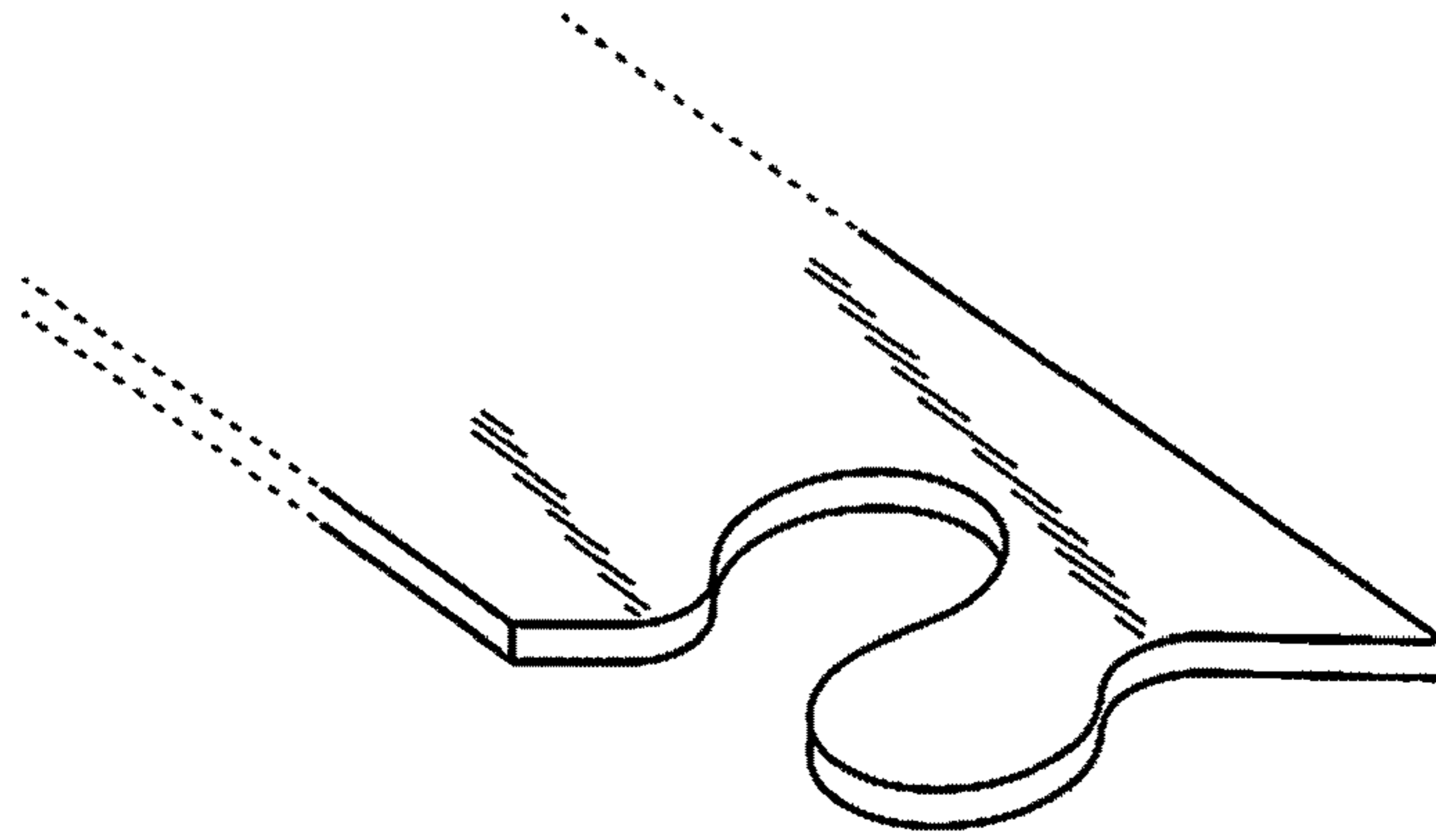


Fig. 1

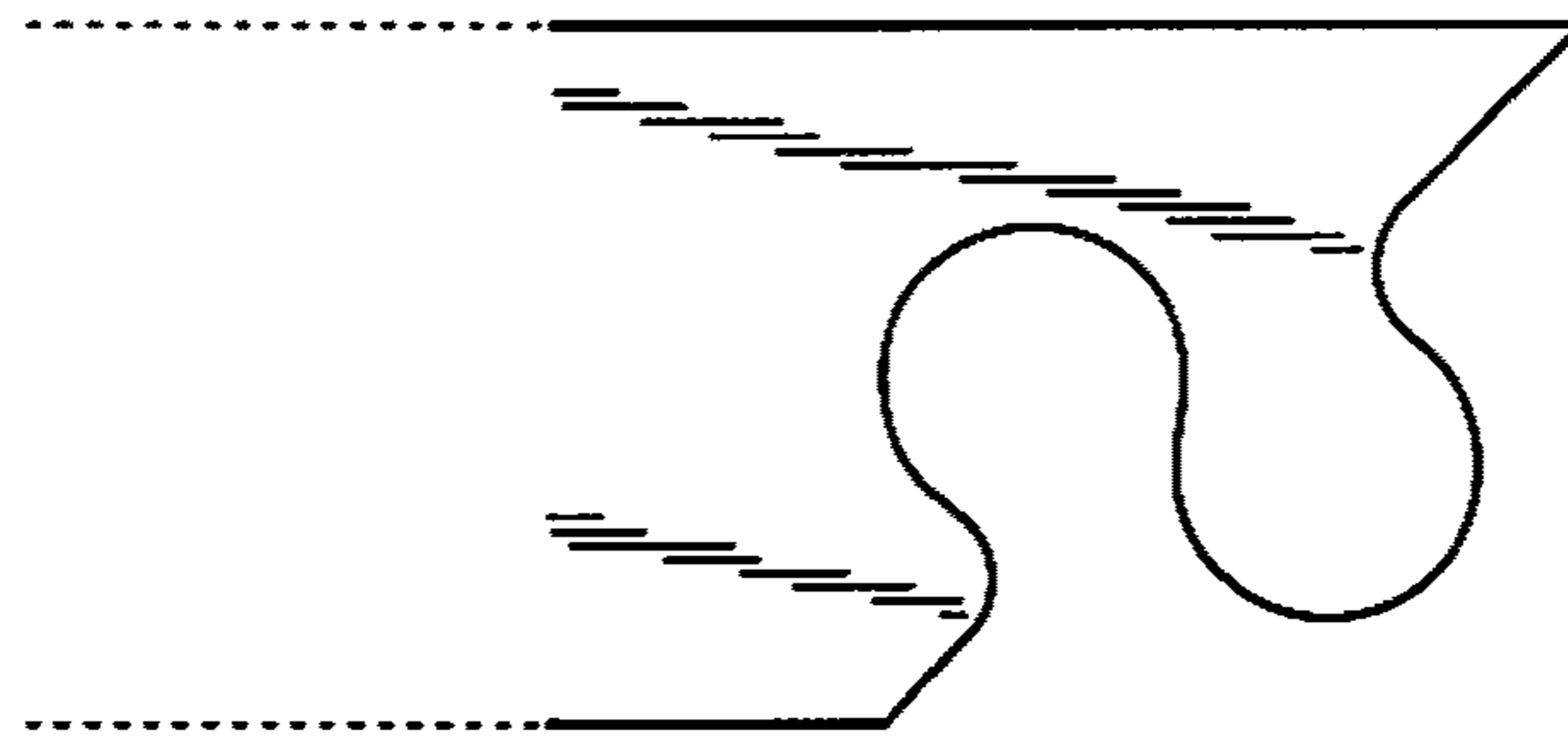


Fig. 2

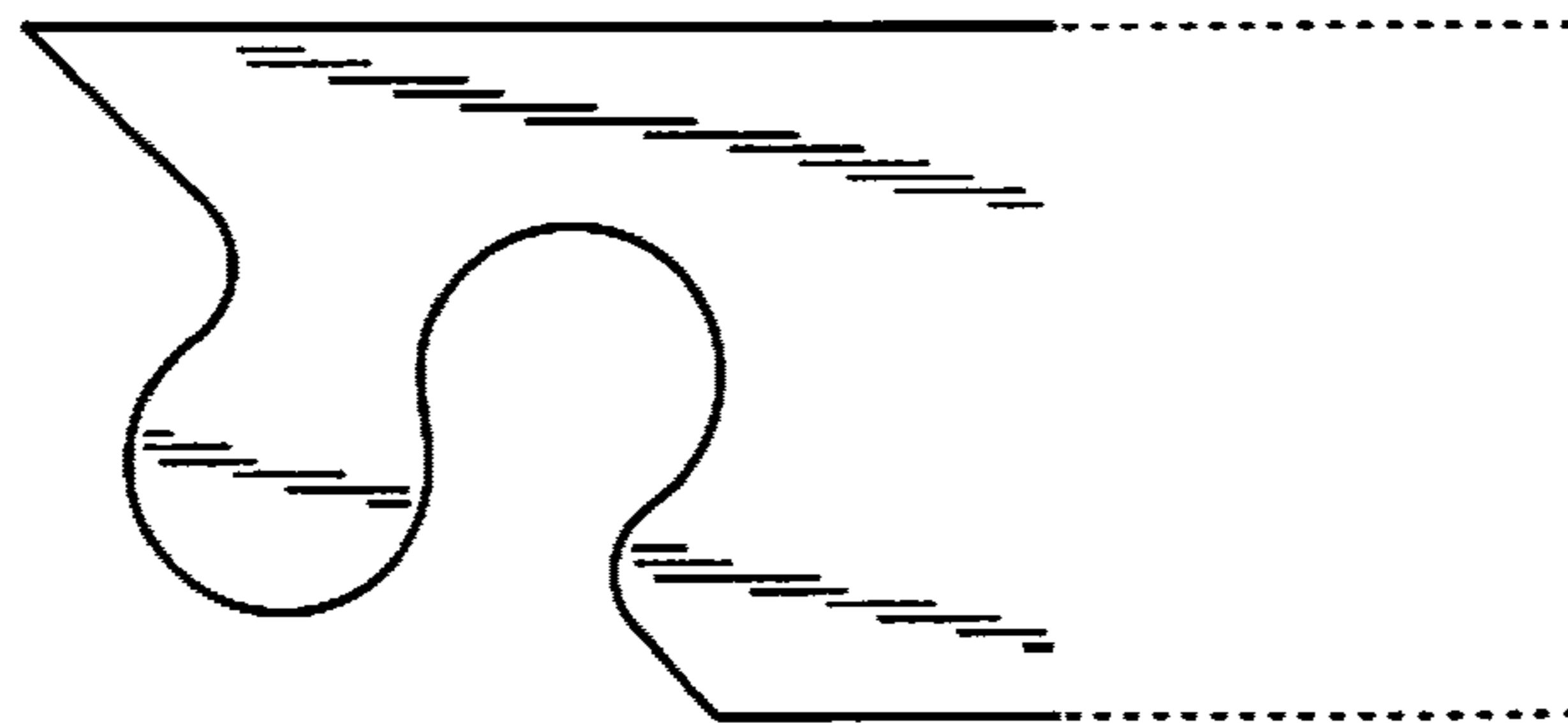


Fig. 3



Fig. 4



Fig. 5



Fig. 6

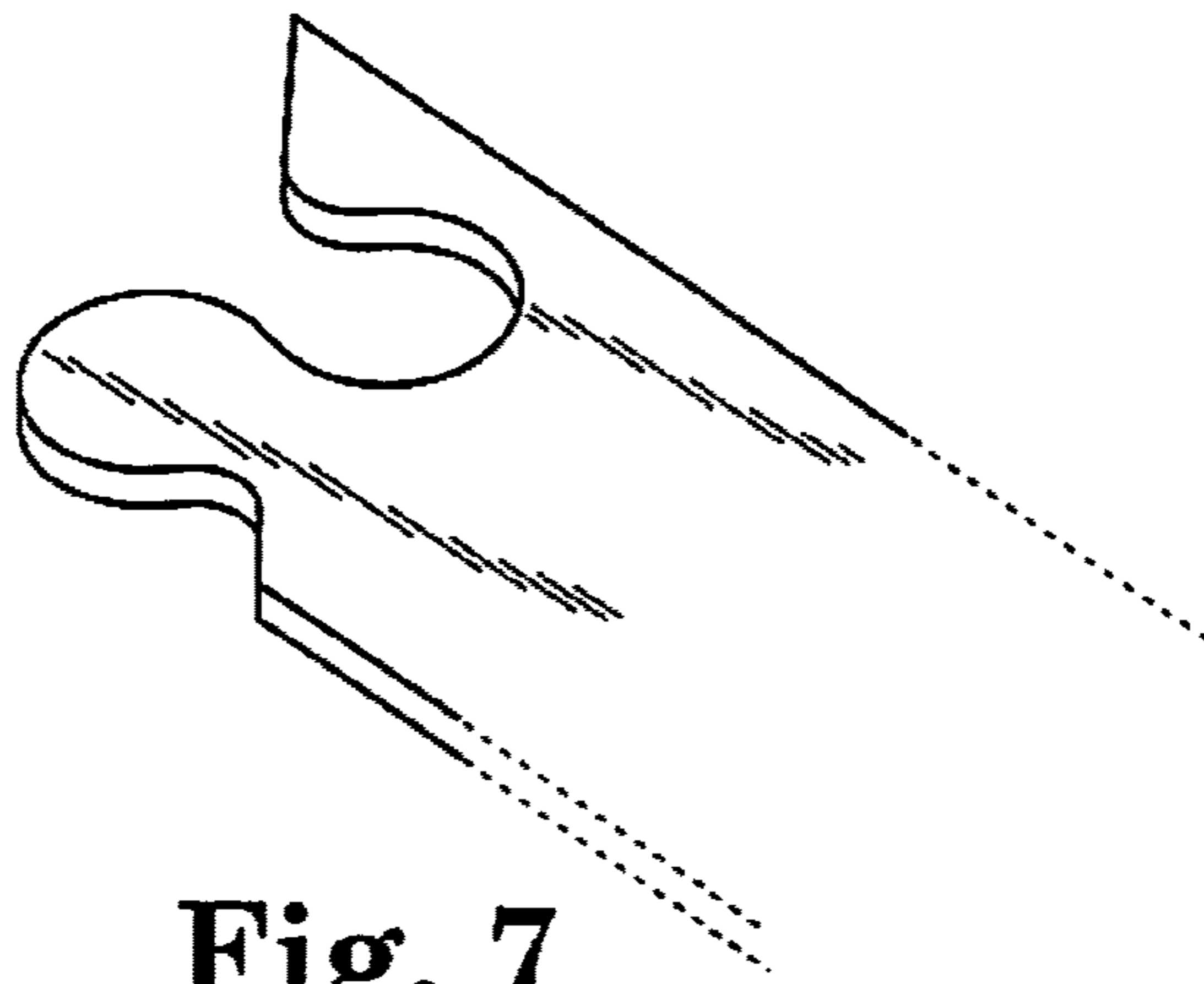


Fig. 7

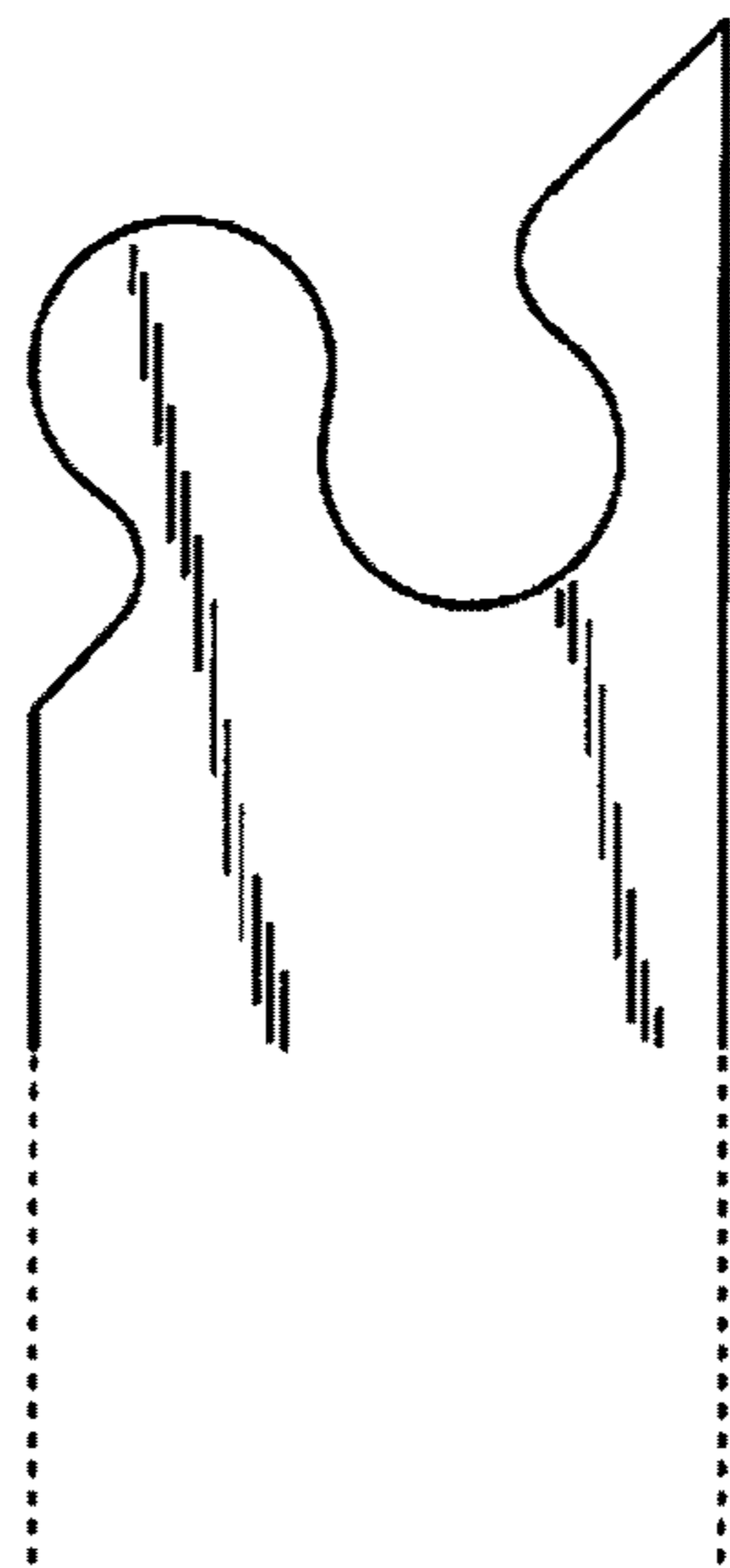


Fig. 8

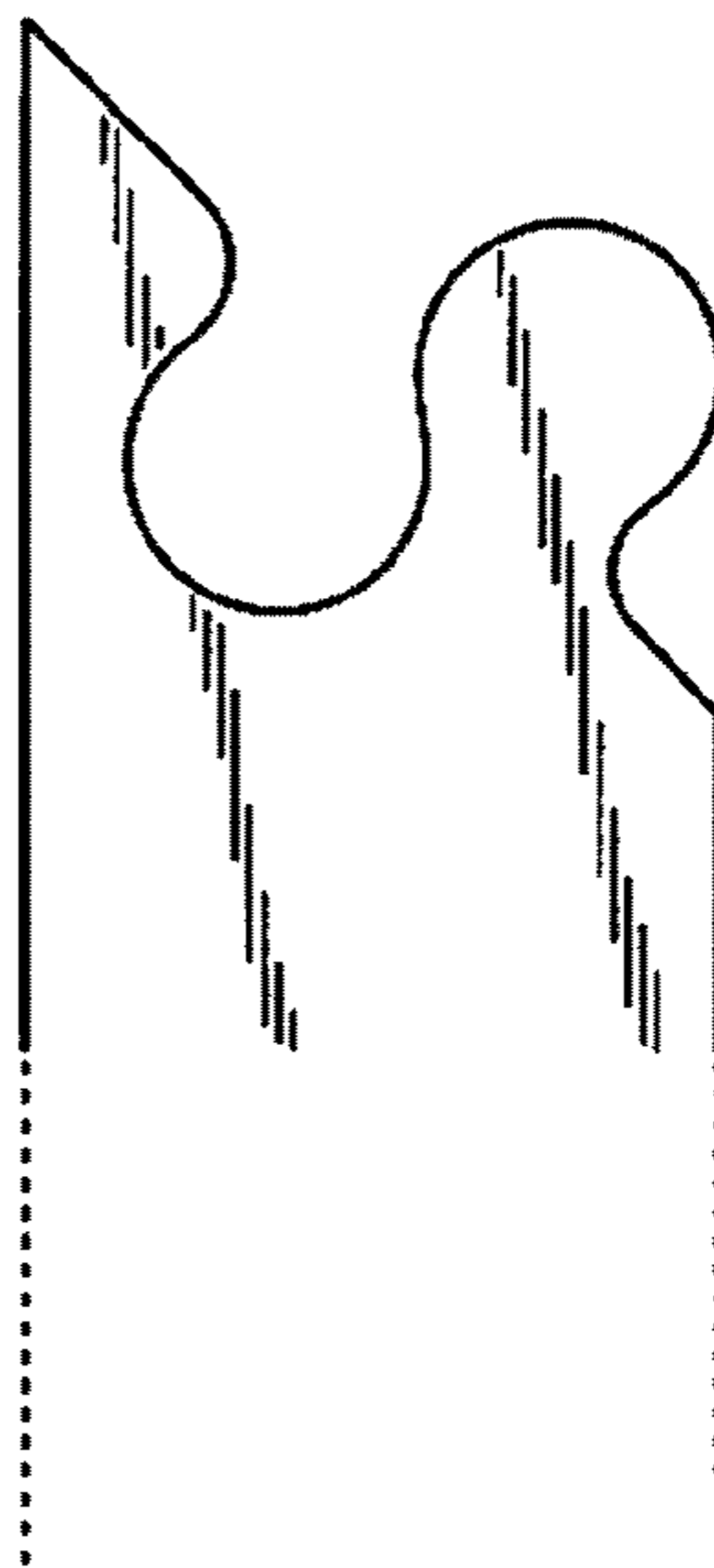


Fig. 9



Fig. 10



Fig. 11



Fig. 12

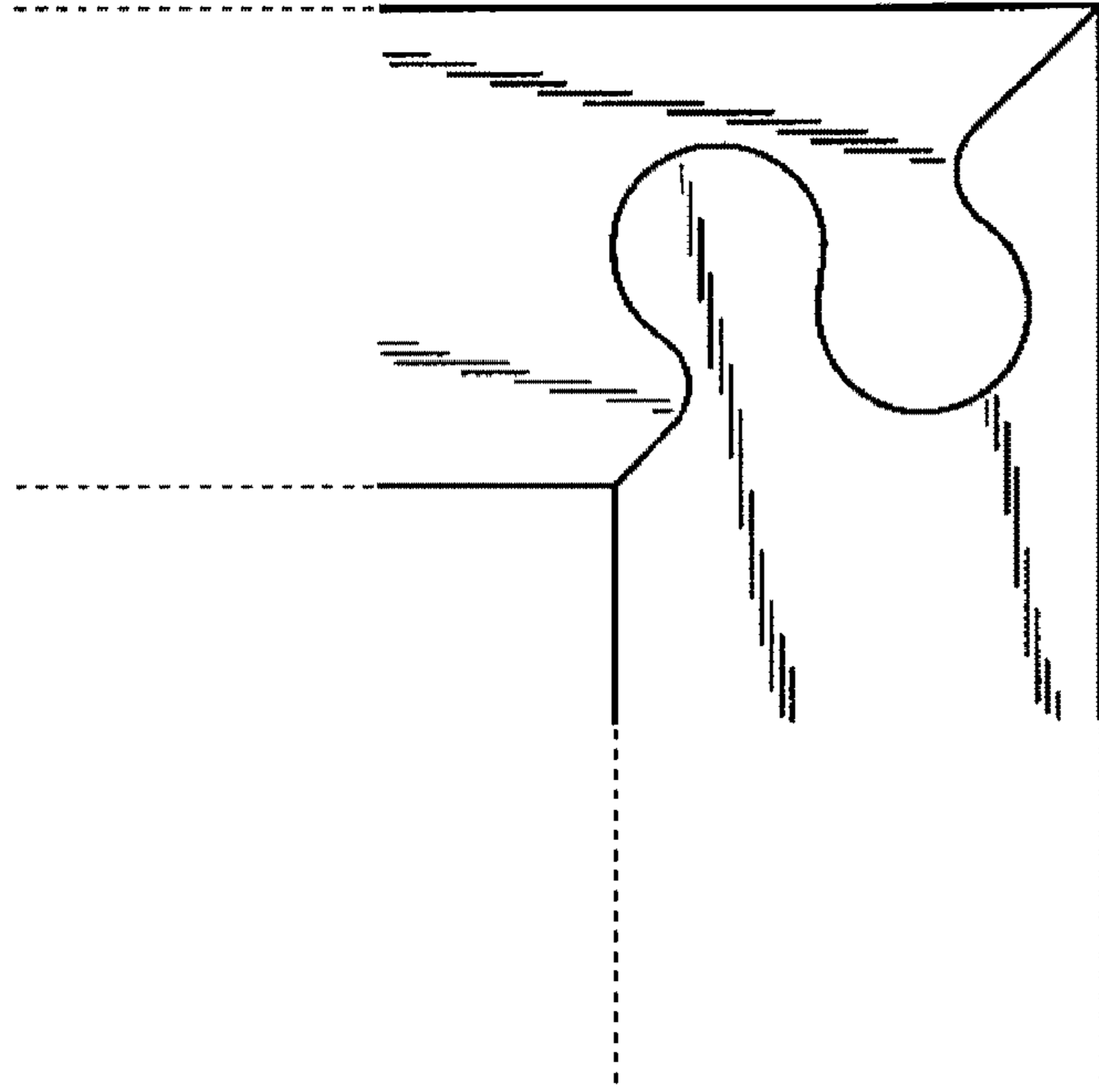


Fig. 13

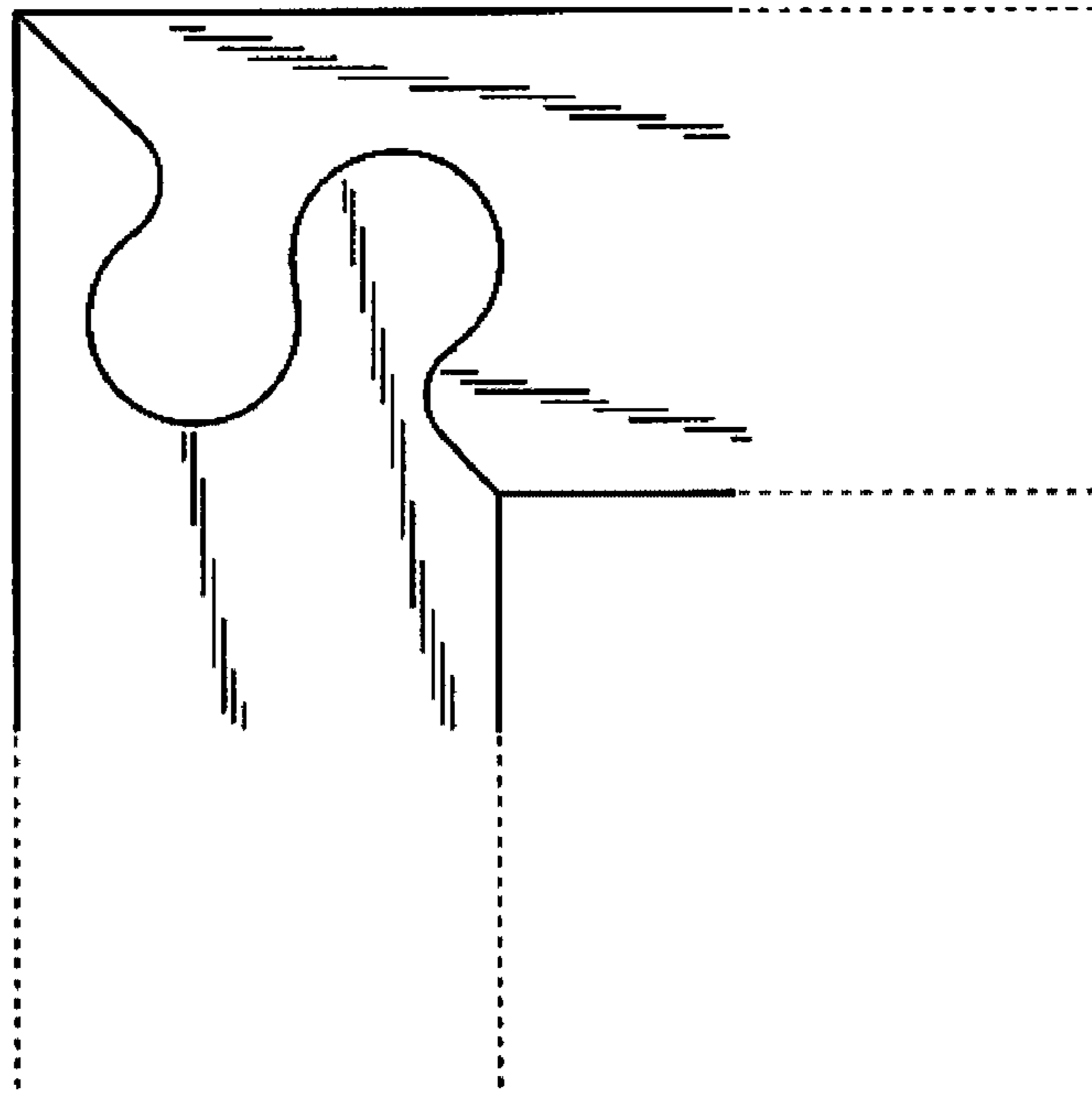


Fig. 14