



US00D632548S

(12) **United States Design Patent**
Tracey et al.

(10) **Patent No.:** **US D632,548 S**
(45) **Date of Patent:** **** Feb. 15, 2011**

(54) **REEL WITH HOUSING HAVING APERTURE OF DIAMOND-LIKE SHAPE**

(75) Inventors: **James B. A. Tracey**, Austin, TX (US);
Tim Hopkins, Round Rock, TX (US)

(73) Assignee: **Great Stuff, Inc.**, Austin, TX (US)

(**) Term: **14 Years**

(21) Appl. No.: **29/336,068**

(22) Filed: **Apr. 28, 2009**

(51) **LOC (9) Cl.** **08-05**

(52) **U.S. Cl.** **D8/358**

(58) **Field of Classification Search** D8/360,
D8/359, 358; D3/24; D15/5, 199, 147, 138;
474/7, 66, 47-53, 29, 198, 196, 161; 248/638,
248/636; 242/532.6, 530.3, 476.6, 118.6;
160/315; 137/355.26, 355.2, 355.16; 102/407,
102/406; D21/713; D11/117, 121
See application file for complete search history.

(56) **References Cited**

U.S. PATENT DOCUMENTS

D91,470	S *	2/1934	Schoedler	D19/84
4,268,034	A *	5/1981	MacDonald	473/126
D269,522	S	6/1983	Reichel et al.		
D287,988	S *	1/1987	Billingshurst	D21/713
D315,624	S	3/1991	Kimura et al.		
D329,393	S *	9/1992	Hawkins, III	D10/106
5,280,906	A *	1/1994	Vitale	473/613
D404,681	S *	1/1999	Galerieau	D11/121
D419,961	S	2/2000	Weatherill		
D421,033	S *	2/2000	Shirley et al.	D16/227
6,279,848	B1	8/2001	Mead, Jr.		

7,021,583	B2	4/2006	Weatherill et al.		
D521,681	S *	5/2006	Xu	D27/148
D539,367	S *	3/2007	Jones	D21/713
7,419,038	B2 *	9/2008	Caamano et al.	191/12.2 R
D596,306	S *	7/2009	Levine	D24/214
D609,709	S *	2/2010	Allo Allo et al.	D14/440
2007/0194163	A1	8/2007	Okonsky et al.		
2009/0057085	A1 *	3/2009	Caamano et al.	191/12.4
2009/0057472	A1 *	3/2009	Tracey	242/398

FOREIGN PATENT DOCUMENTS

DE	19808820	C1	9/1999
FR	2826352	A1	12/2002

* cited by examiner

Primary Examiner—Susan Bennett Hattan

(74) *Attorney, Agent, or Firm*—Knobbe Martens Olson & Bear LLP

(57) **CLAIM**

We claim the ornamental design for a reel with housing having aperture of diamond-like shape, as shown and described.

DESCRIPTION

FIG. 1 is a top right perspective view of a reel with housing having aperture of diamond-like shape.

FIG. 2 is a front view of the reel of FIG. 1.

FIG. 3 is a rear view of the reel of FIG. 1.

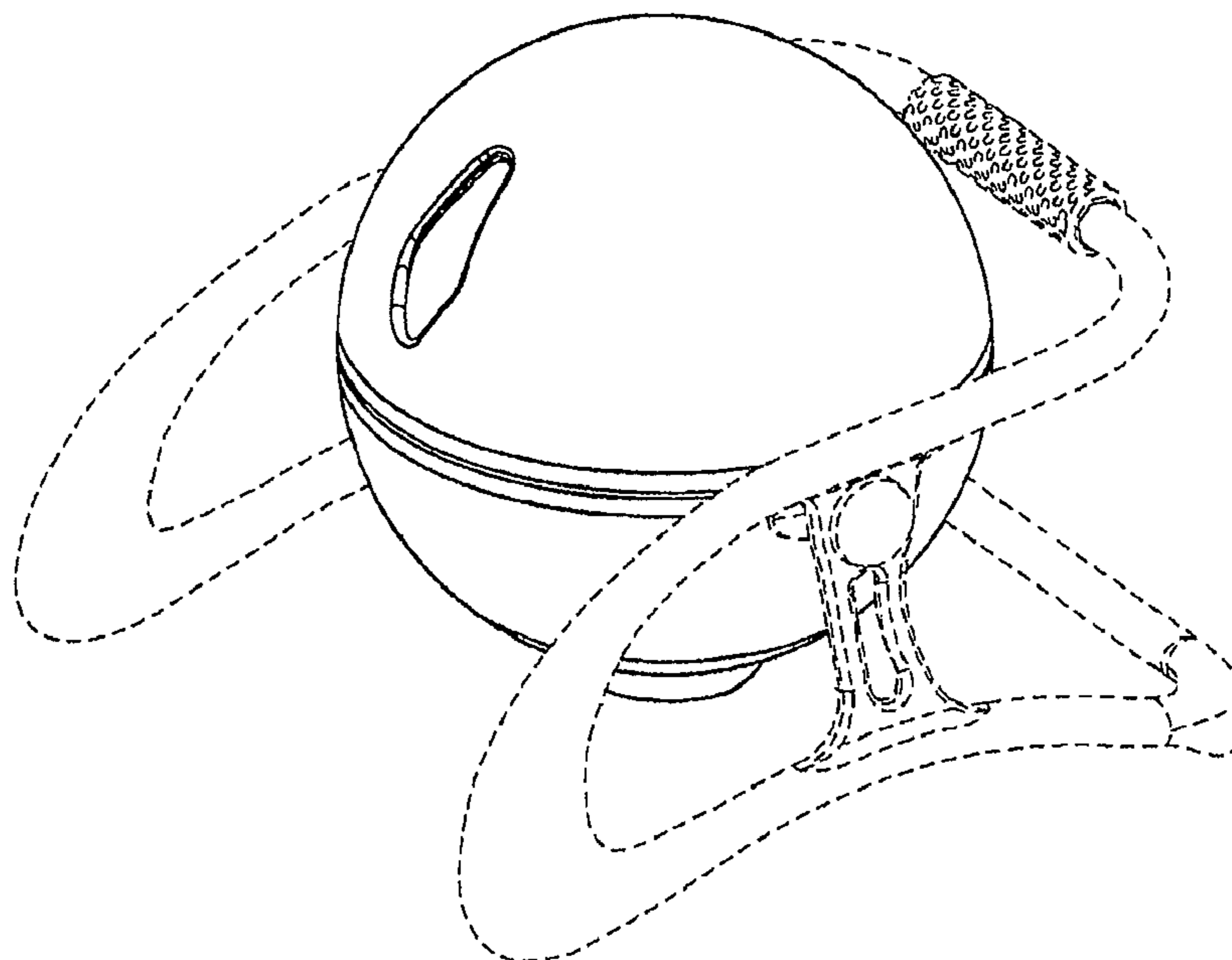
FIG. 4 is a left side view of the reel of FIG. 1.

FIG. 5 is a top view of the reel of FIG. 1; and,

FIG. 6 is a bottom view of the reel of FIG. 1.

The broken lines in the drawings depict environmental subject matter only and form no part of the claimed design.

1 Claim, 6 Drawing Sheets



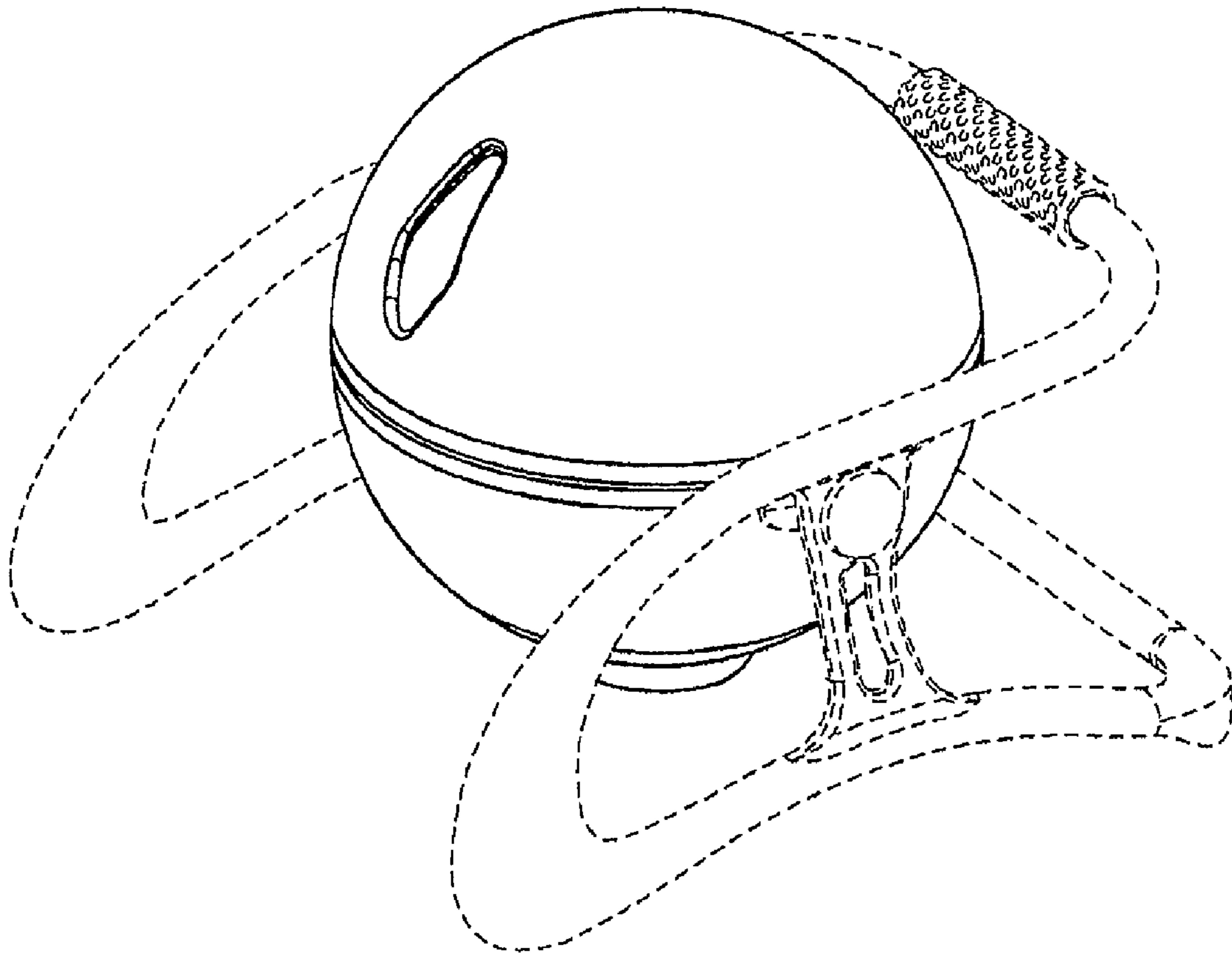


FIG. 1

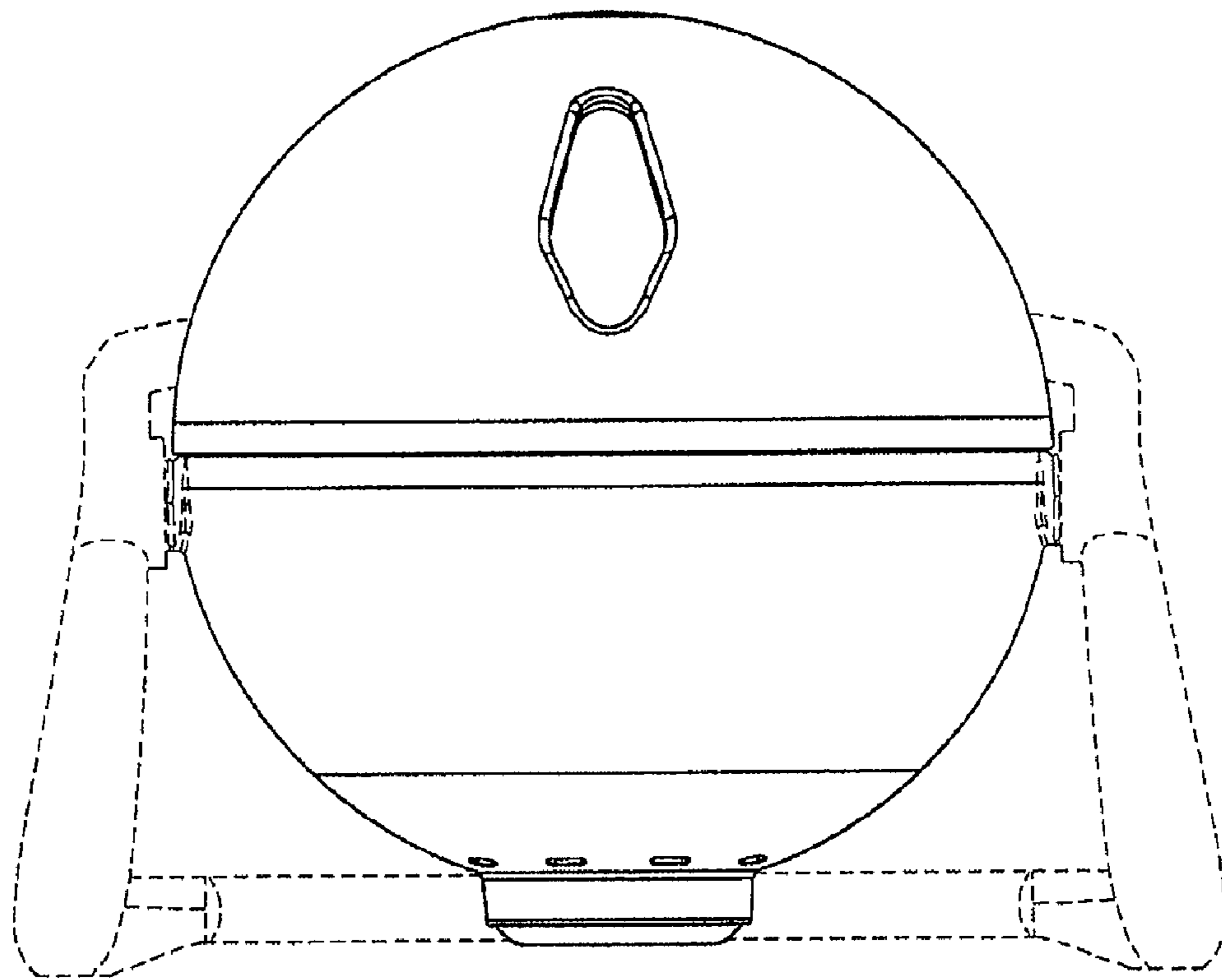


FIG. 2

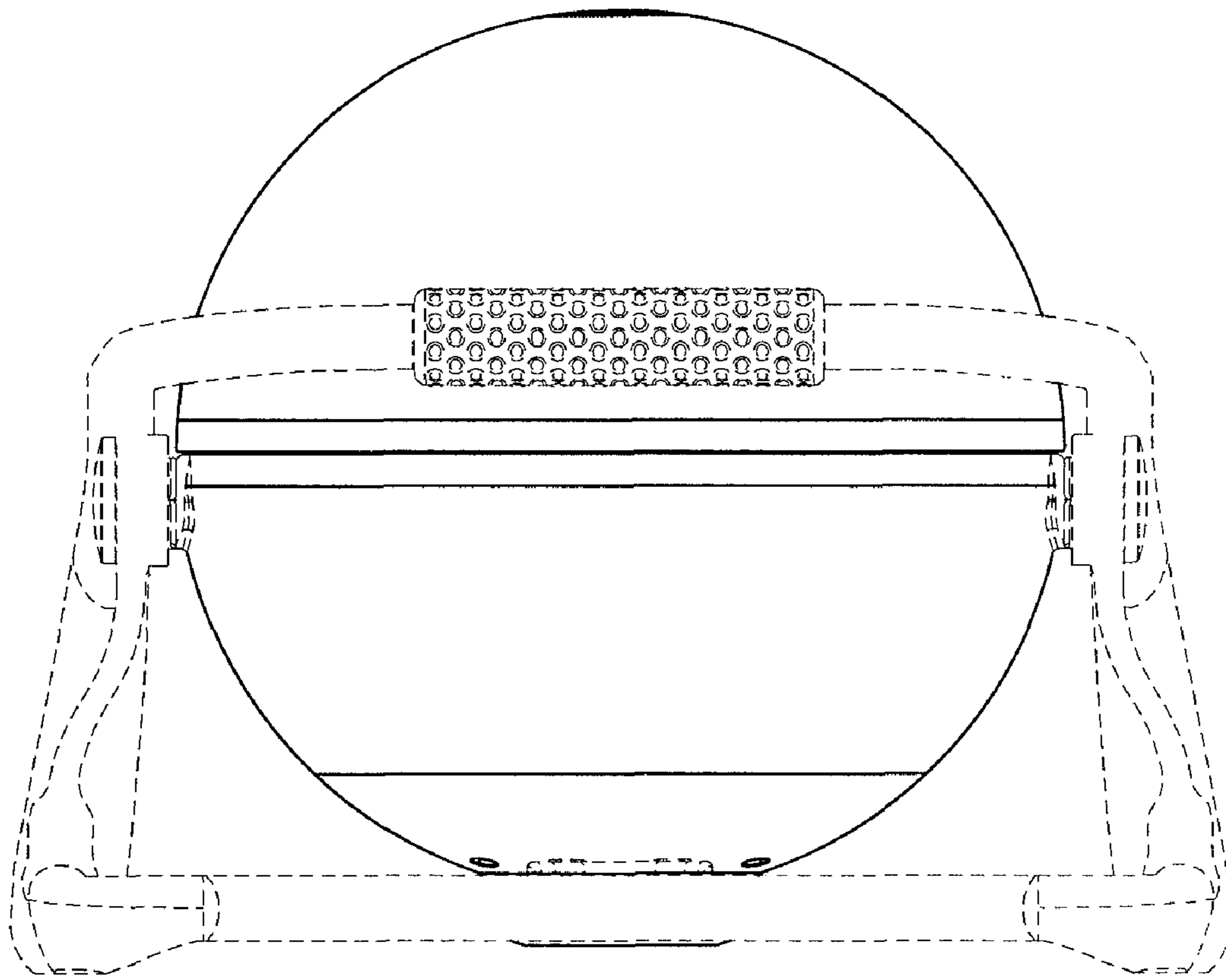


FIG. 3

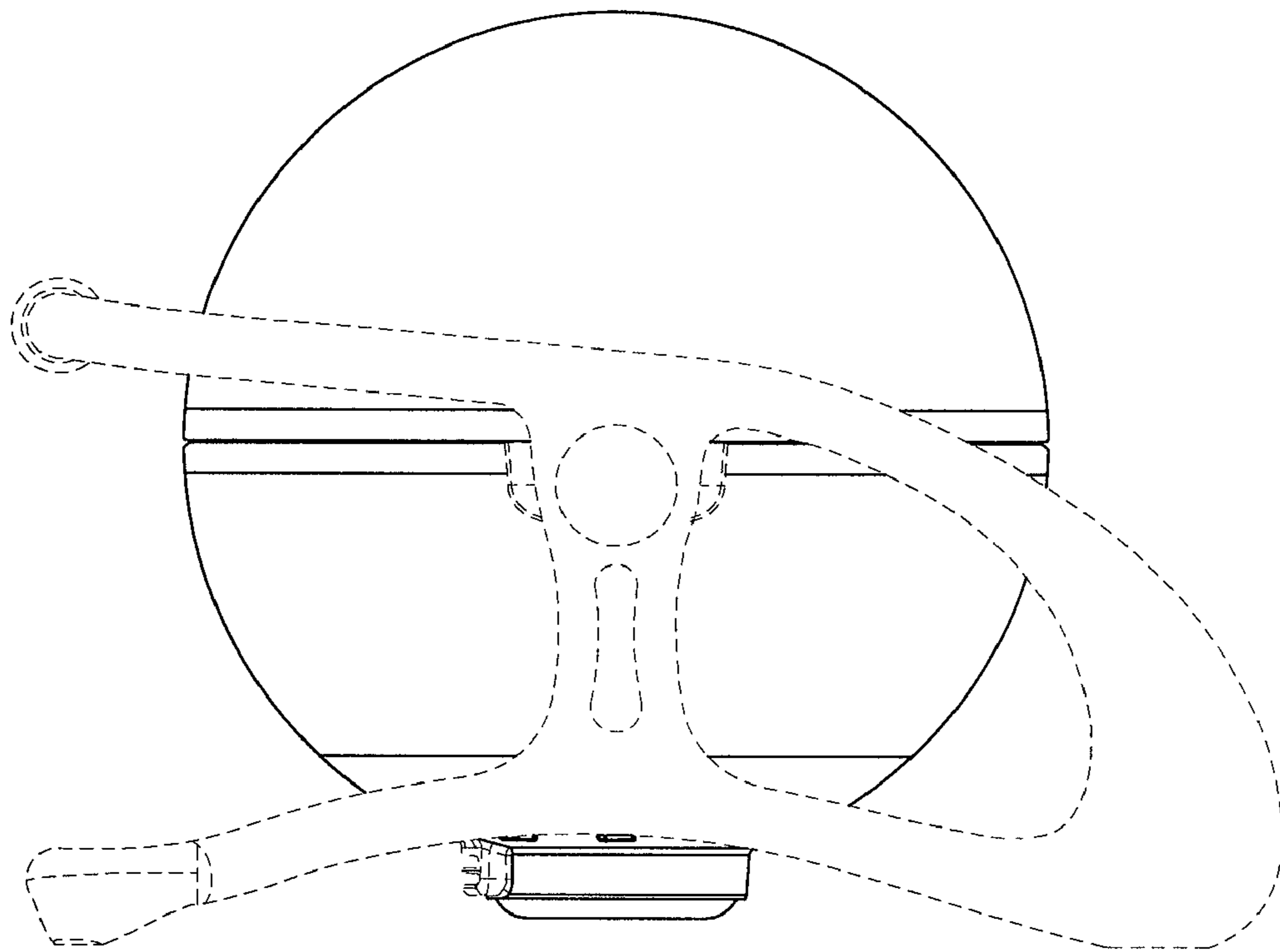


FIG. 4

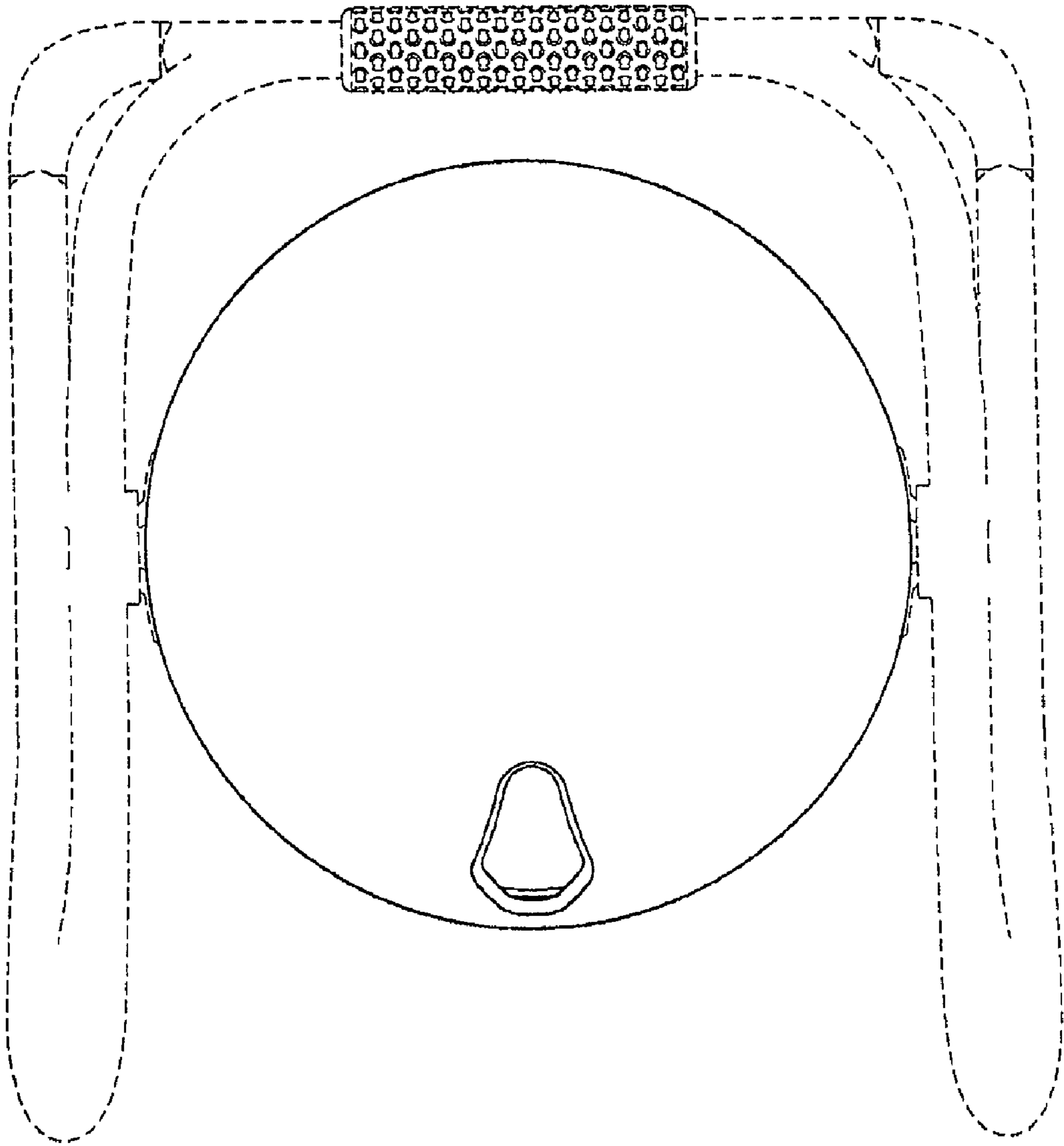


FIG. 5

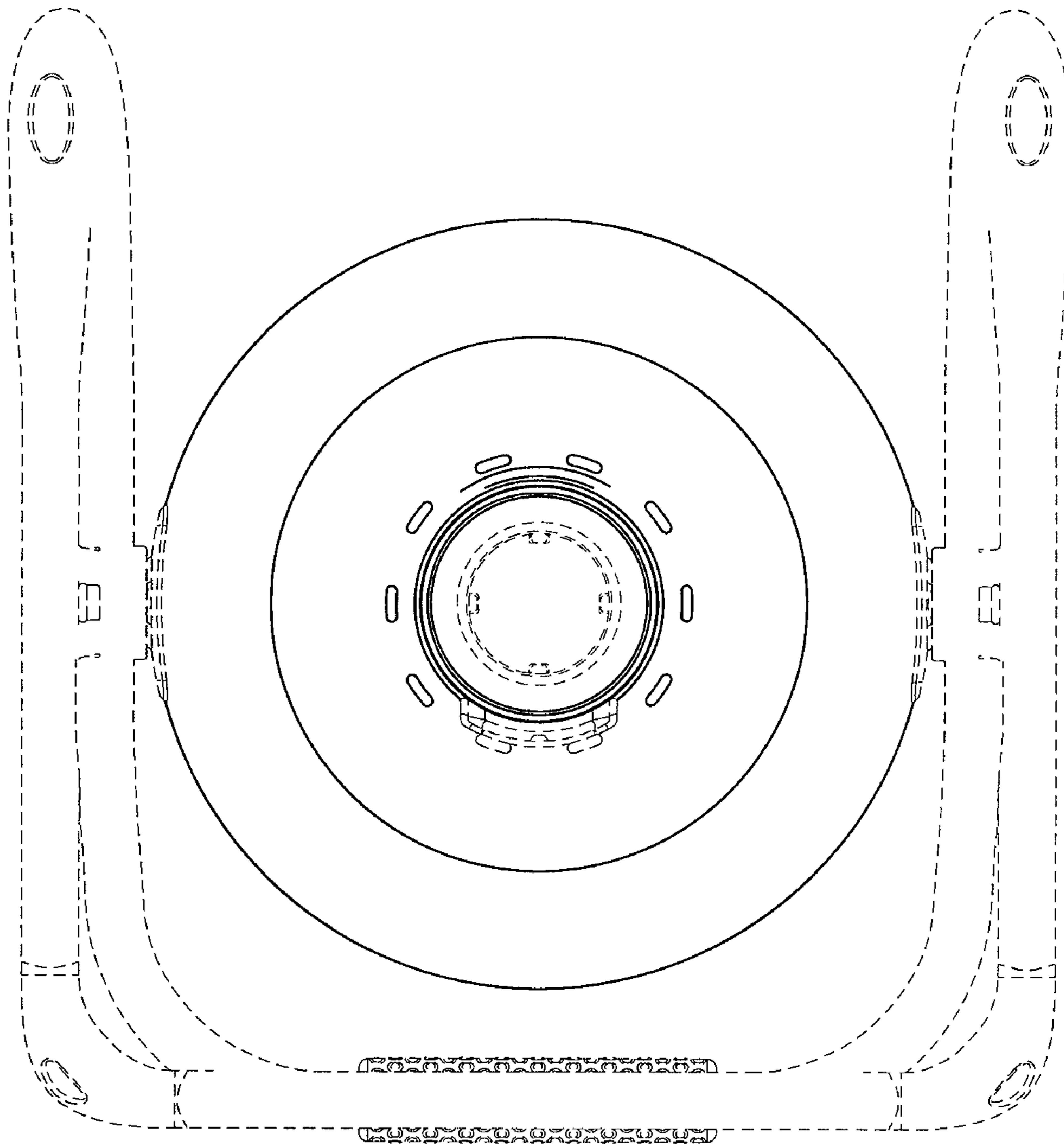


FIG. 6