



US00D632547S

(12) **United States Design Patent**
Thompson

(10) **Patent No.:** **US D632,547 S**

(45) **Date of Patent:** **** Feb. 15, 2011**

(54) **CABLE BEARER**

(75) Inventor: **Alvin Dean Thompson**, St. Joseph, MO
(US)

(73) Assignee: **DT Search & Designs, LLC**, St. Joseph,
MO (US)

(**) Term: **14 Years**

(21) Appl. No.: **29/368,428**

(22) Filed: **Aug. 24, 2010**

(51) **LOC (9) Cl.** **08-05**

(52) **U.S. Cl.** **D8/356**

(58) **Field of Classification Search** D8/356,
D8/355, 354, 353, 349, 363, 371, 382; D13/155;
353/13; 52/144; 16/2.1, 2.2; 174/153 G,
174/135, 72 A, 152 G; 248/49, 68.1, 544,
248/73, 74.3; 5/503.1; 138/106; 24/16 PB,
24/545

See application file for complete search history.

(56) **References Cited**

U.S. PATENT DOCUMENTS

D138,739	S	*	9/1944	Harris	D8/356
2,921,607	A		1/1960	Caveney		
4,442,989	A		4/1984	Hartmann		
4,579,310	A		4/1986	Wells et al.		
4,988,062	A		1/1991	London		
5,224,674	A	*	7/1993	Simons	248/68.1
5,427,338	A		6/1995	Garrett et al.		
D407,963	S	*	4/1999	Gretz et al.	D8/356
5,918,837	A		7/1999	Vicain		

5,954,301	A	*	9/1999	Joseph et al.	248/68.1
D416,471	S	*	11/1999	Wurdack	D8/363
6,012,683	A	*	1/2000	Howell	248/49
6,170,784	B1	*	1/2001	MacDonald et al.	248/65
6,318,680	B1	*	11/2001	Benedict et al.	248/49
D469,065	S	*	1/2003	Pawluk et al.	D13/155
D495,588	S	*	9/2004	Wurdack	D8/367
D550,540	S	*	9/2007	Nawrocki	D8/354
D568,254	S	*	5/2008	Patchett et al.	D13/155
D589,782	S	*	4/2009	Rowell et al.	D8/356

* cited by examiner

Primary Examiner—Cynthia Underwood

(74) *Attorney, Agent, or Firm*—Polsinelli Shughart PC;
Marcia J. Rodgers

(57) **CLAIM**

The ornamental design for a cable bearer, as shown and described.

DESCRIPTION

FIG. 1 is a perspective view of a cable bearer, showing my new design.

FIG. 2 is a top plan view thereof.

FIG. 3 is a side elevational view thereof.

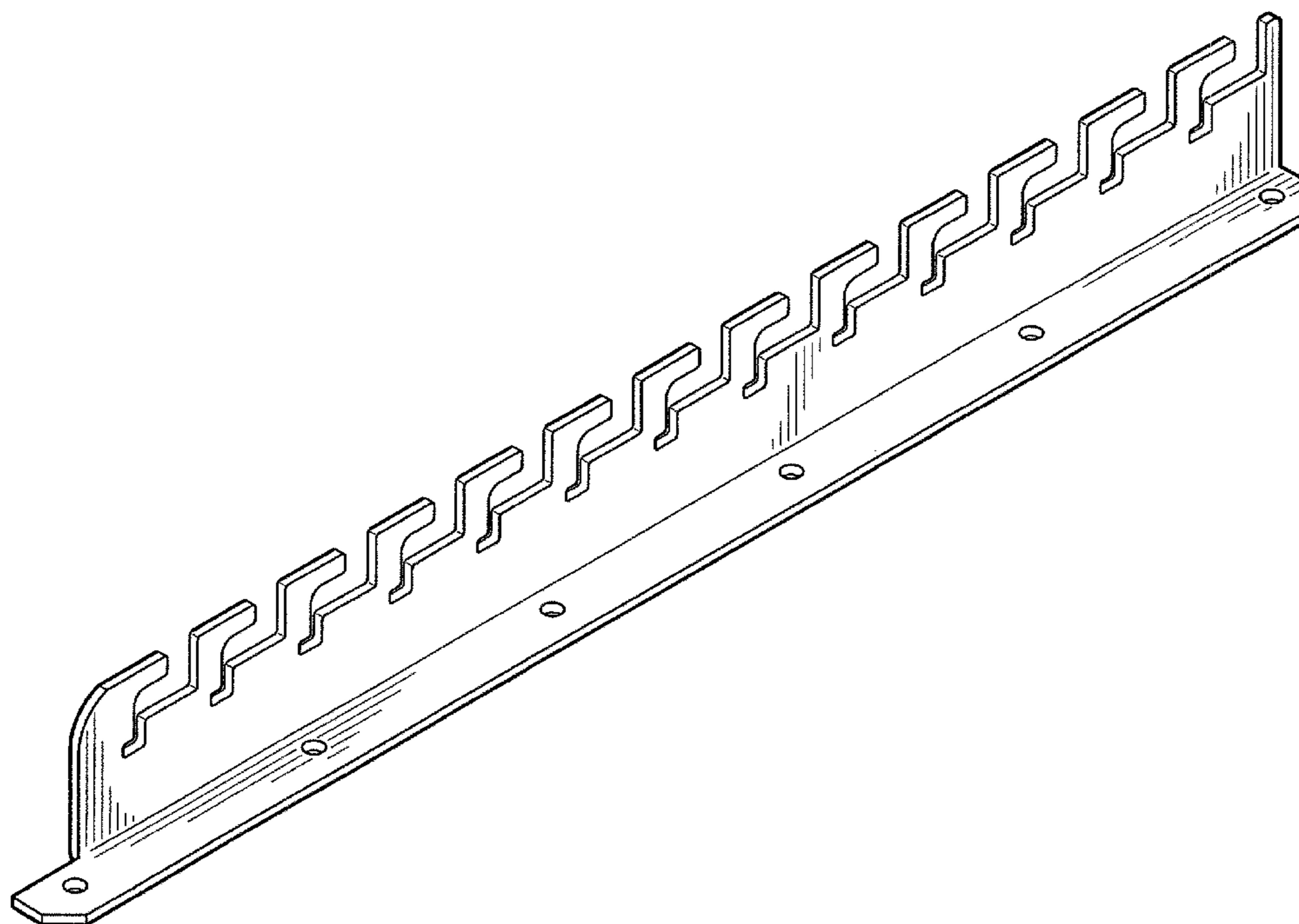
FIG. 4 is a bottom plan view thereof.

FIG. 5 is a side elevational view opposite the view shown in FIG. 3.

FIG. 6 is an end view thereof; and,

FIG. 7 is an end view opposite the view shown in FIG. 6.

1 Claim, 4 Drawing Sheets



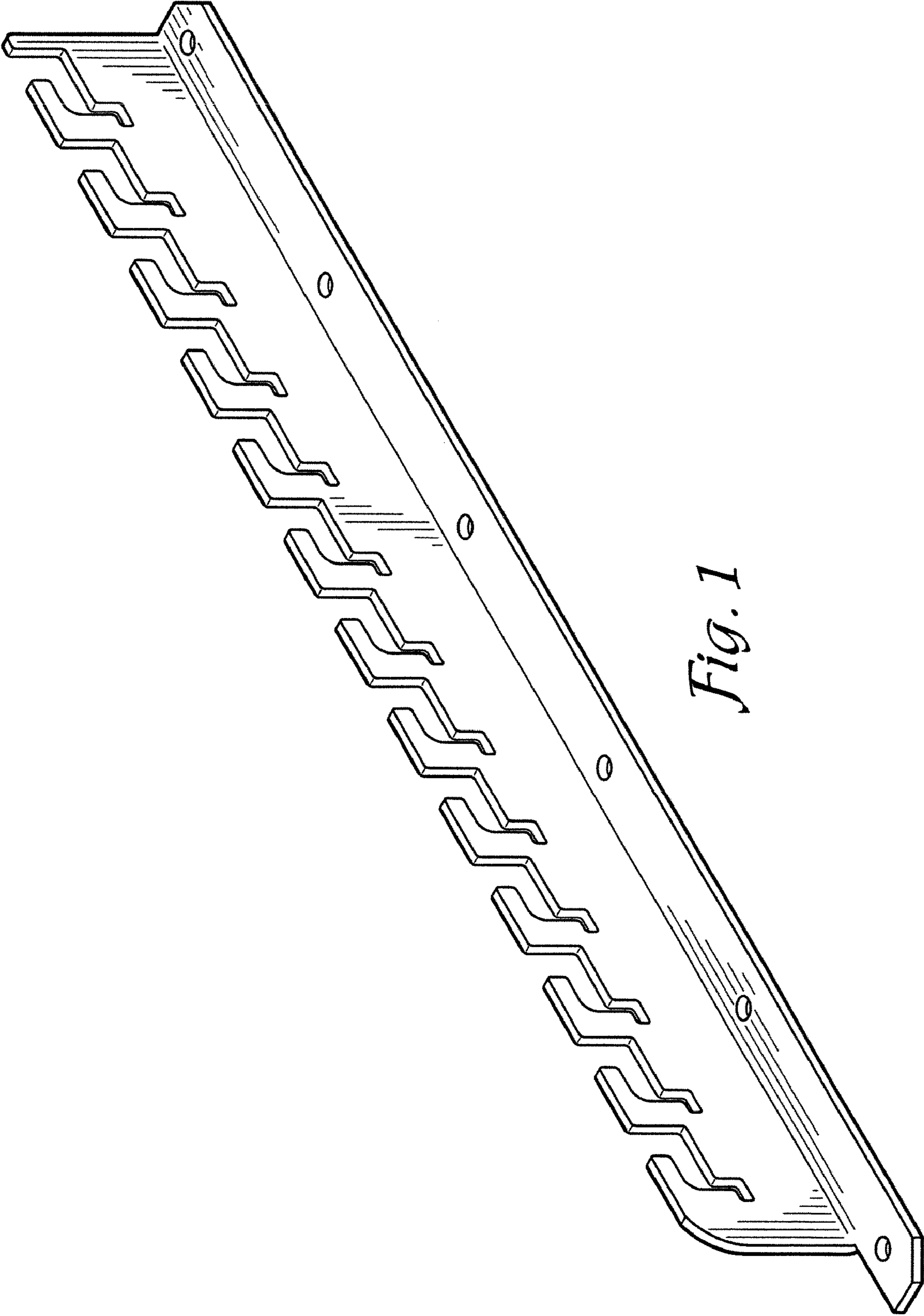


Fig. 1

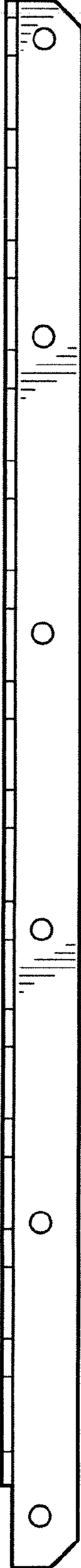


Fig. 2

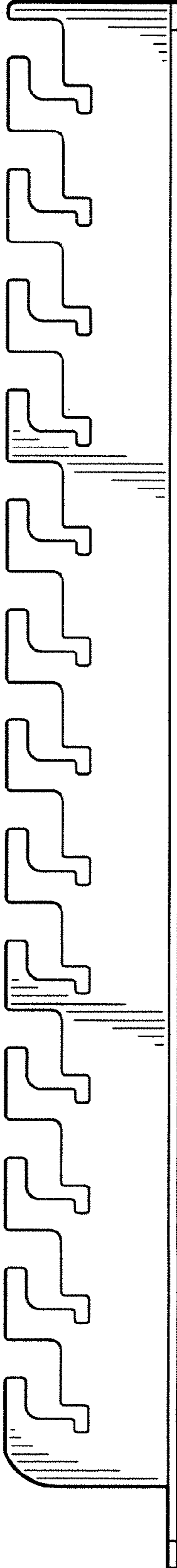


Fig. 3

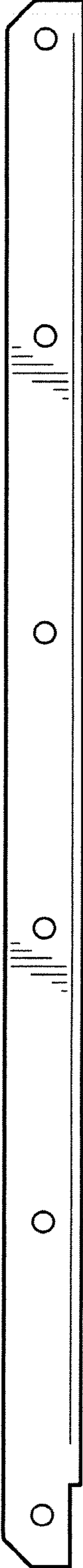


Fig. 4

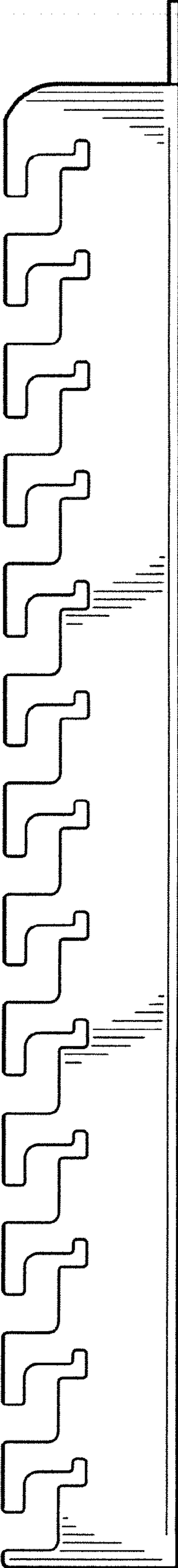


Fig. 5

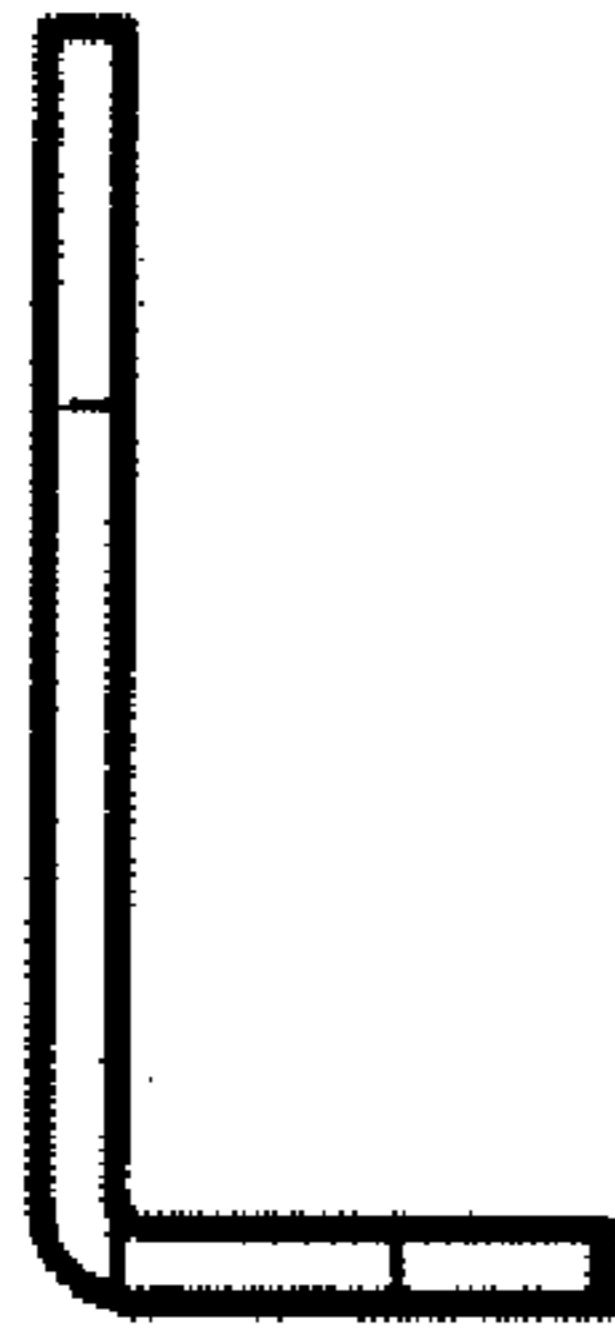


Fig. 6



Fig. 7