



US00D632546S

(12) **United States Design Patent**
Schmid

(10) **Patent No.:** **US D632,546 S**

(45) **Date of Patent:** **** Feb. 15, 2011**

(54) **CARABINER TOOL**

(76) **Inventor:** **Mark Schmid**, 827 Allerton Ct., San Diego, CA (US) 92130

(**) **Term:** **14 Years**

(21) **Appl. No.:** **29/344,955**

(22) **Filed:** **Oct. 7, 2009**

(51) **LOC (9) Cl.** **08-05**

(52) **U.S. Cl.** **D8/356**

(58) **Field of Classification Search** D8/372,
D8/367, 370, 356, 1, 382, 26, 107, 99, 105;
D6/323; 248/301-304, 175; 70/59; 24/588.1,
24/601, 599.9; 402/35; 114/218; D12/317;
D22/147; 16/87.2, 87.8; D3/207; 81/124.4;
7/138

See application file for complete search history.

(56) **References Cited**

U.S. PATENT DOCUMENTS

803,839	A *	11/1905	Merrill	70/459
D197,010	S *	12/1963	Keltz	D8/356
D297,811	S *	9/1988	Payan	D8/356
D449,438	S *	10/2001	Simond	D3/210
D475,591	S *	6/2003	Luquire	D8/34
D480,622	S	10/2003	Kelleghan	
D480,943	S	10/2003	Kelleghan	
D484,770	S	1/2004	Green	
D487,014	S	2/2004	Kelleghan	
D488,707	S *	4/2004	Shaljjan	D8/356
D510,854	S	10/2005	DiMarchi et al.	
D513,579	S	1/2006	Barber et al.	

D526,555	S	8/2006	Kelleghan	
D533,427	S	12/2006	Barber et al.	
D548,061	S *	8/2007	Hu	D8/370
D565,393	S *	4/2008	Shetler	D8/356
D566,528	S *	4/2008	Shetler	D8/356
D572,573	S *	7/2008	Abels	D8/356
D590,237	S *	4/2009	Parisi et al.	D8/356
7,698,970	B1	4/2010	Chavez et al.	
D614,937	S *	5/2010	Kelleghan	D8/356
2008/0209700	A1 *	9/2008	Goldberg	24/599.6

* cited by examiner

Primary Examiner—Cynthia Underwood

(74) *Attorney, Agent, or Firm*—Michael P. Eddy

(57) **CLAIM**

I claim the ornamental design for a carabiner tool, as shown and described.

DESCRIPTION

FIG. 1 is a front elevational perspective view of the carabiner tool showing my new design;

FIG. 2 is a front plan view thereof;

FIG. 3 is a rear plan view thereof;

FIG. 4 is a right plan view thereof;

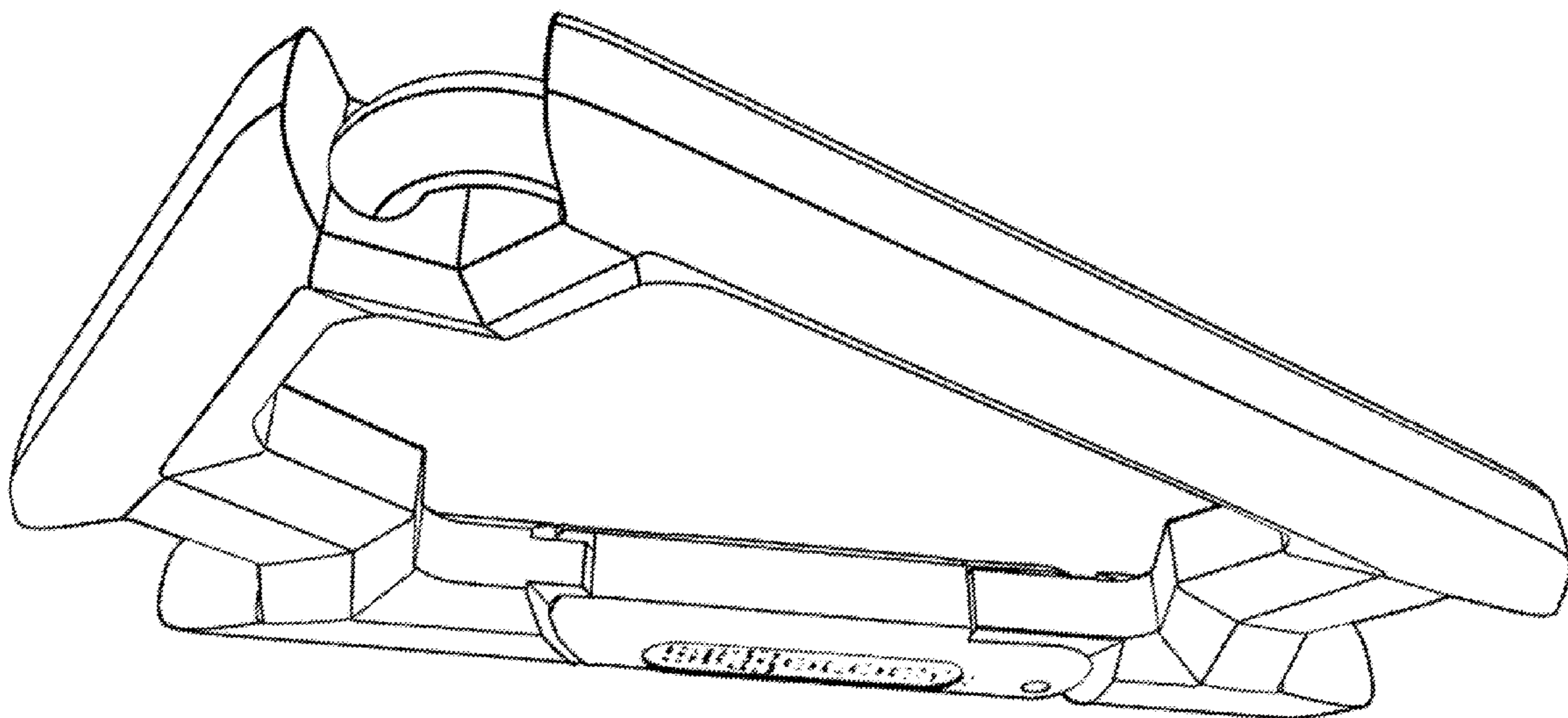
FIG. 5 is a left plan view thereof;

FIG. 6 is a top plan view thereof; and,

FIG. 7 is a bottom plan view thereof.

The broken lines represent environment and form no part of the claim.

1 Claim, 7 Drawing Sheets



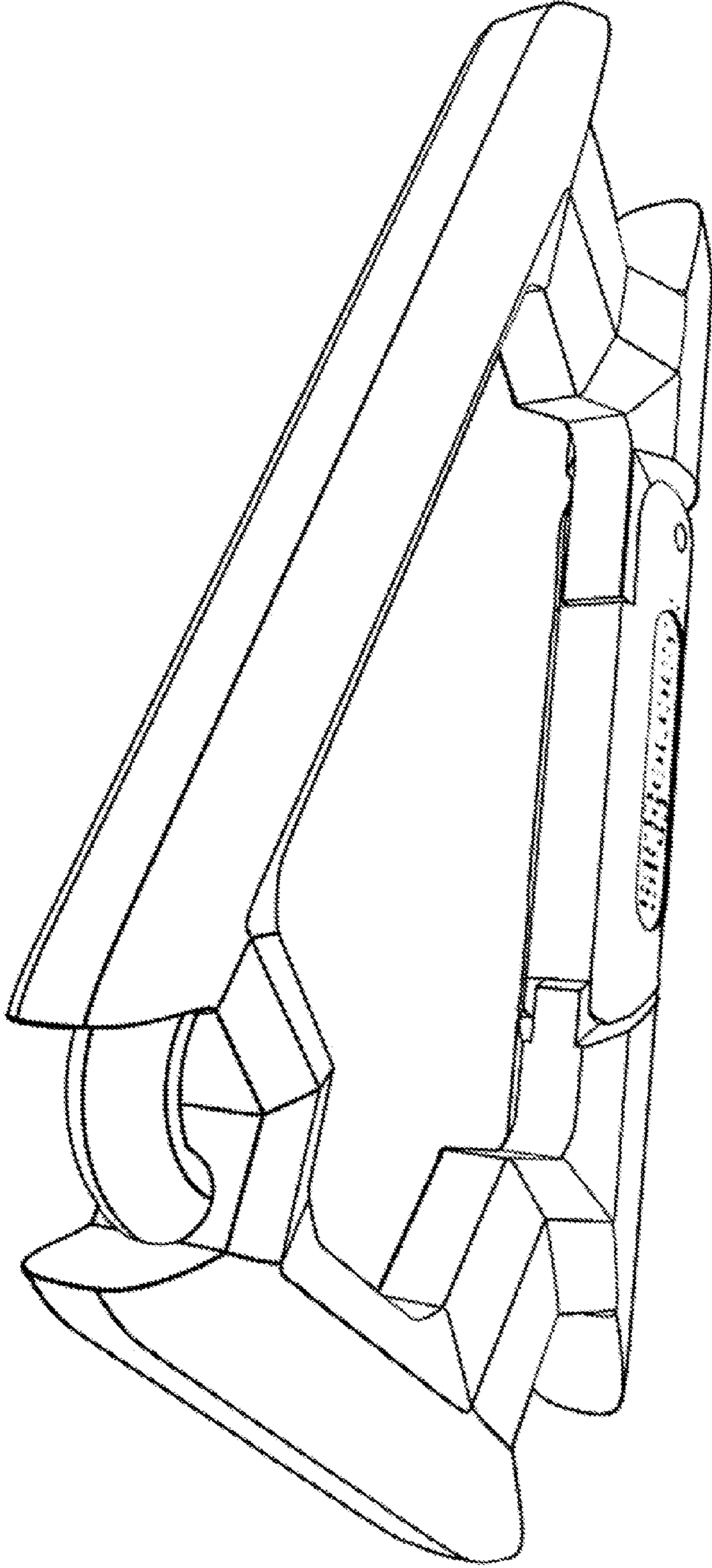


Fig. 1

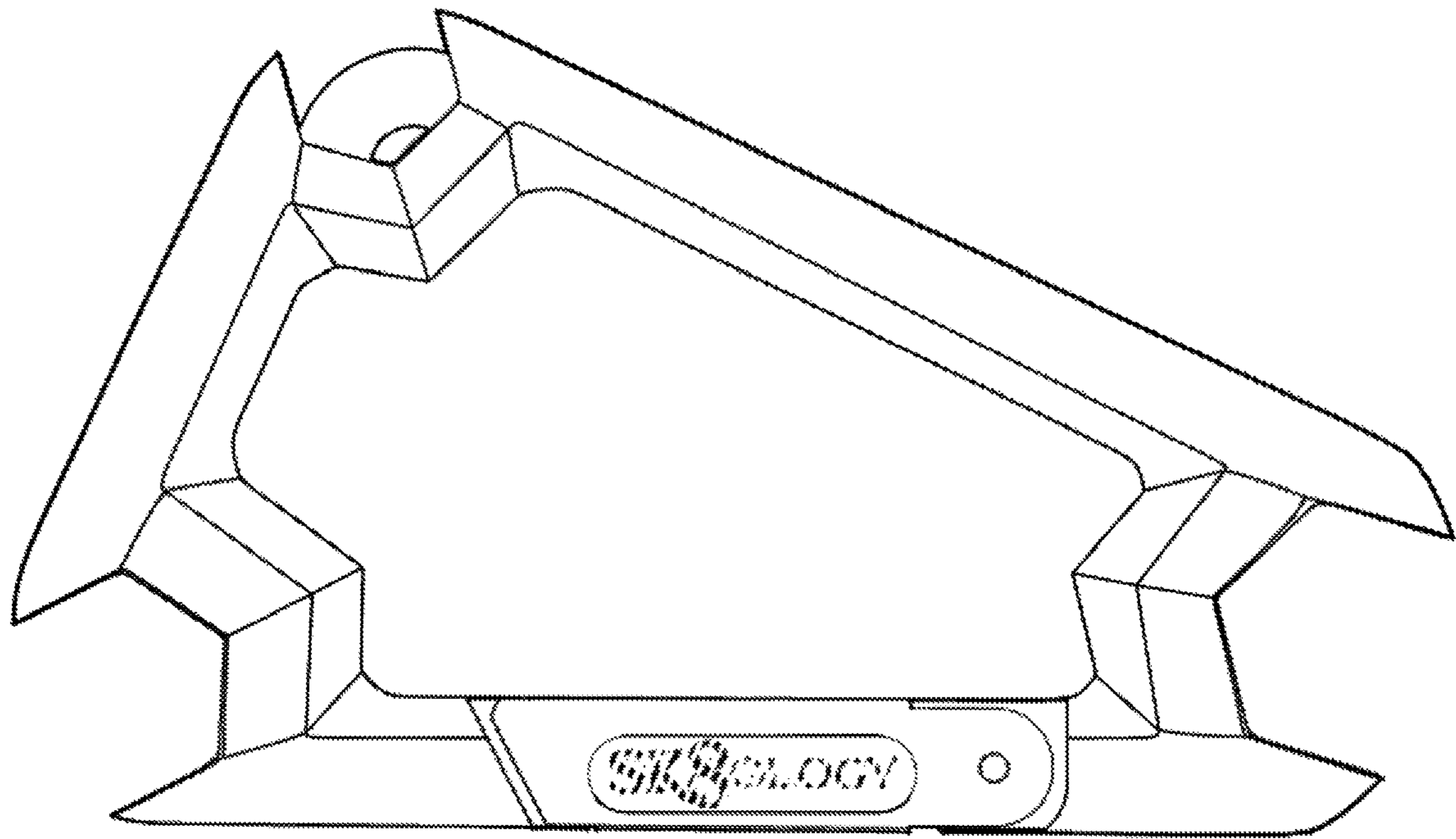


Fig. 2

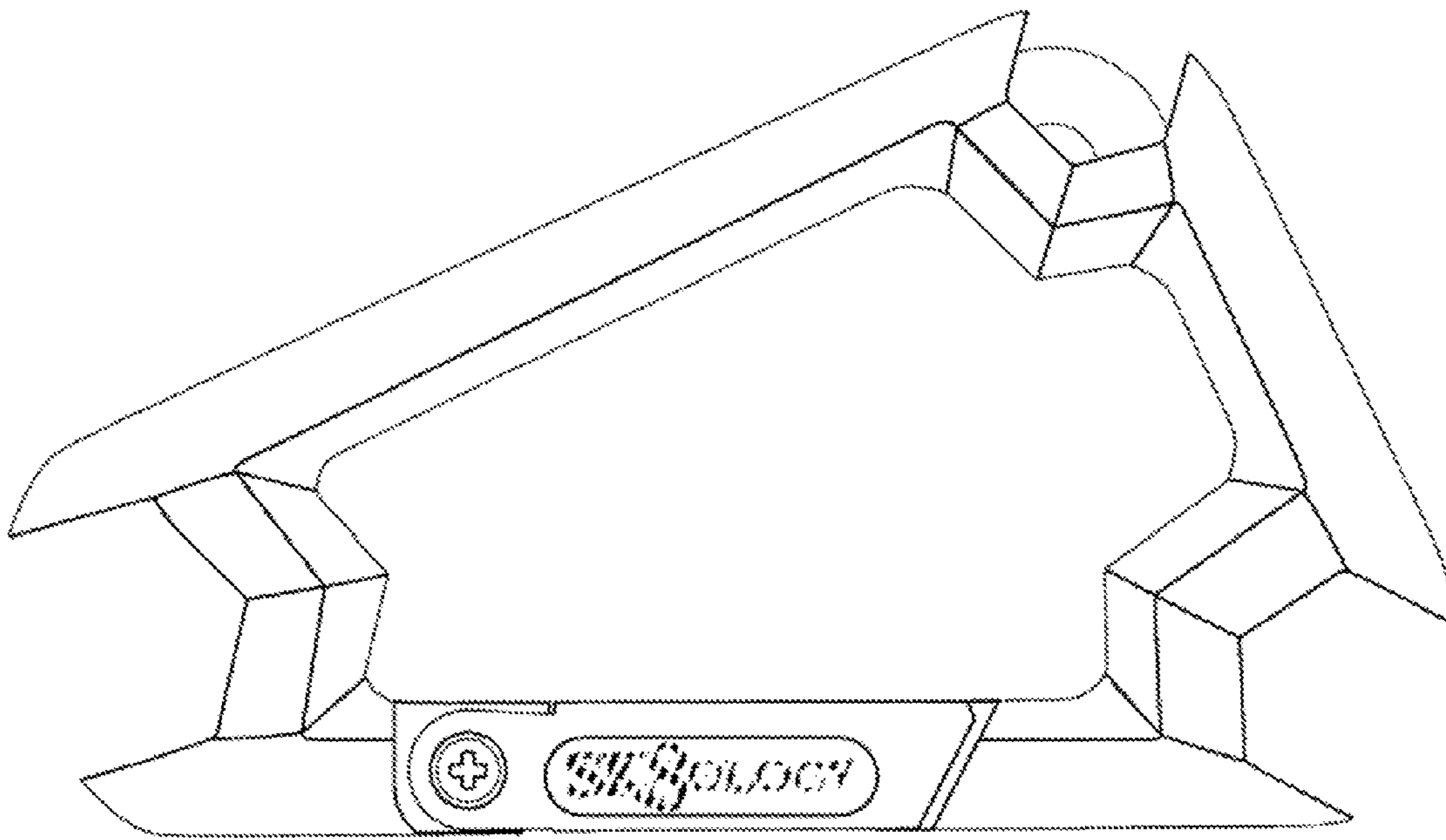


Fig. 3

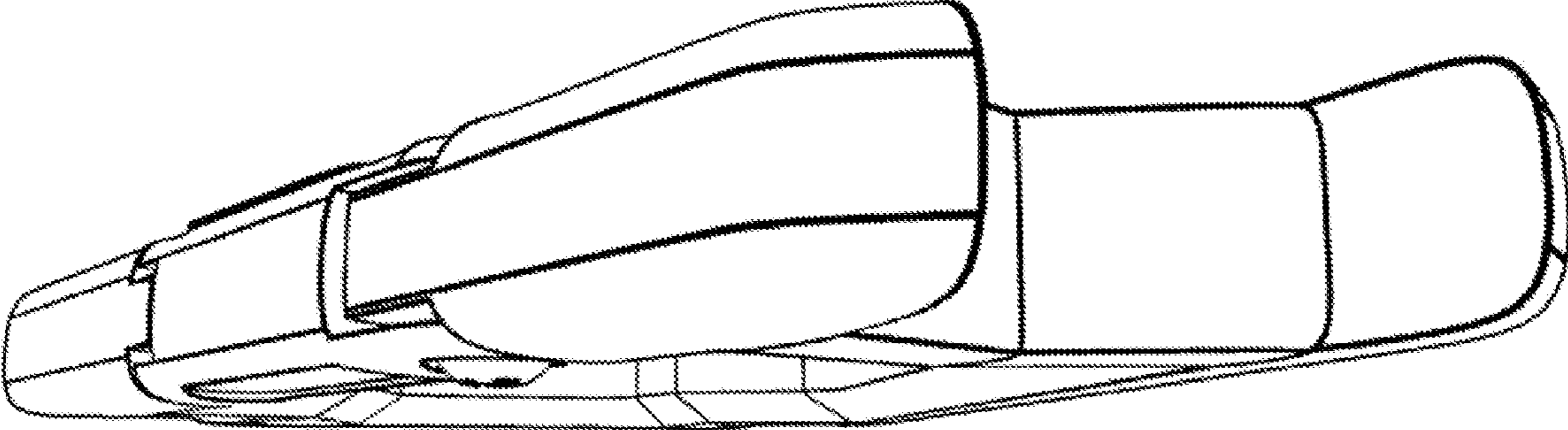


Fig. 4

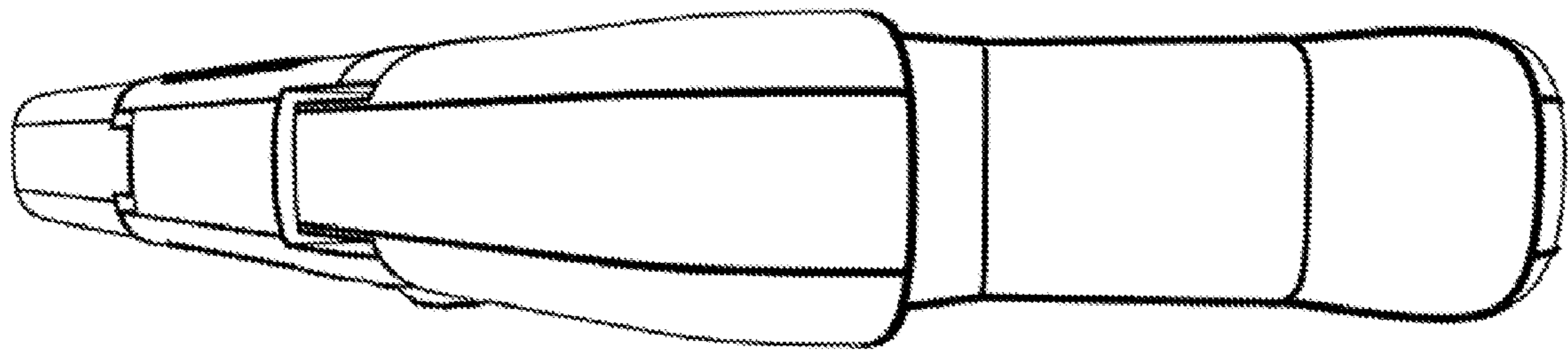


Fig. 5

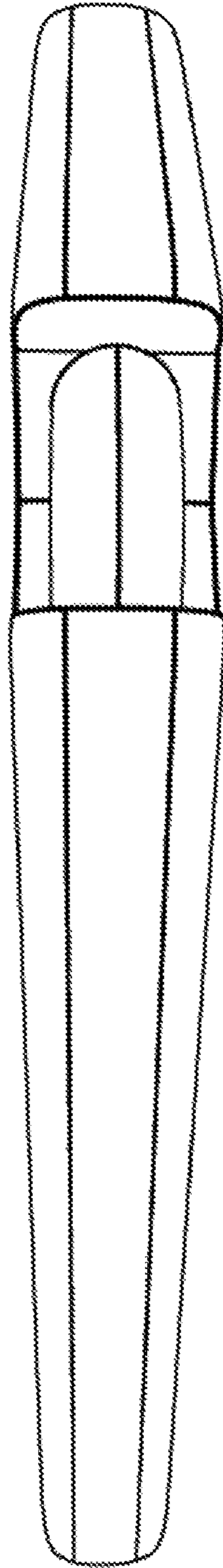


Fig. 6

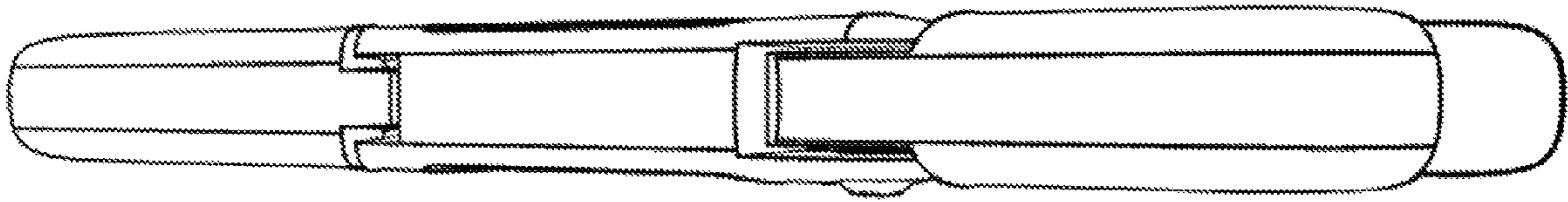


Fig. 7