



US00D632545S

(12) **United States Design Patent**
DeCosta

(10) **Patent No.:** **US D632,545 S**
(45) **Date of Patent:** **** Feb. 15, 2011**

(54) **SECTIONAL PLATE ASSEMBLY FOR A WALL PORT INCORPORATING A REVERSIBLE SLIDE HOOD FOR WIRE MANAGEMENT**

(76) Inventor: **Thomas J. DeCosta**, P.O. Box 70189, North Dartmouth, MA (US) 02747

(**) Term: **14 Years**

(21) Appl. No.: **29/370,599**

(22) Filed: **Aug. 10, 2010**

(51) **LOC (9) Cl.** **11-05**

(52) **U.S. Cl.** **D8/353**

(58) **Field of Classification Search** D8/350–353, D8/399; D13/156, 177, 152, 154, 158, 173, D13/169, 171, 139.1–139.8, 146, 147, 162; D25/60; D14/159; 292/357; 248/27.3; 174/66, 174/67, 55, 58, 535; 200/303; 220/241, 220/3.92, 3.5–3.8, 242; 439/536, 535, 892
See application file for complete search history.

(56) **References Cited**

U.S. PATENT DOCUMENTS

4,688,747	A	8/1987	Helmsdorfer	
D294,798	S *	3/1988	Hoehne	D8/353
5,124,506	A *	6/1992	Briggs et al.	174/67
D342,235	S *	12/1993	Shotey	D13/156
5,527,993	A *	6/1996	Shotey et al.	174/67
D399,495	S *	10/1998	Bachschmid	D13/177
D399,829	S *	10/1998	Reed	D13/156
6,222,124	B1 *	4/2001	Pritchard et al.	174/66
D449,584	S *	10/2001	Dinh	D13/156
6,913,369	B2 *	7/2005	Chadwick	362/147
6,916,989	B2 *	7/2005	Broussard, Jr.	174/66
7,164,083	B1 *	1/2007	Carroll	174/67
D553,475	S *	10/2007	Gorin et al.	D8/353
D554,475	S *	11/2007	Gorin et al.	D8/353

D577,280	S *	9/2008	Parker	D8/353
D577,987	S *	10/2008	Corbin	D8/353
D579,882	S *	11/2008	Corbin	D13/177
7,554,036	B1	6/2009	DeCosta	
7,563,979	B1	7/2009	Gretz	
2004/0074663	A1 *	4/2004	Broussard, Jr.	174/67
2007/0187129	A1 *	8/2007	Gorin et al.	174/67

* cited by examiner

Primary Examiner—Mark A Goodwin

(57) **CLAIM**

The ornamental design for a sectional plate assembly for a wall port incorporating a reversible slide hood for wire management, as shown and described.

DESCRIPTION

FIG. 1 is a front perspective view the sectional plate assembly for a wall port incorporating a reversible slide hood for wire management, the sectional plate being fully assembled, employing my new design;

FIG. 2 is a top view of FIG. 1;

FIG. 3 is an alternate perspective view of FIG. 1;

FIG. 4 is a right side view of FIG. 1, with the left side view being identical to the right side view;

FIG. 5 is a rear end view of FIG. 1;

FIG. 6 is a front end view of FIG. 1;

FIG. 7 is a bottom view of FIG. 1;

FIG. 8 is a bottom perspective view of FIG. 1;

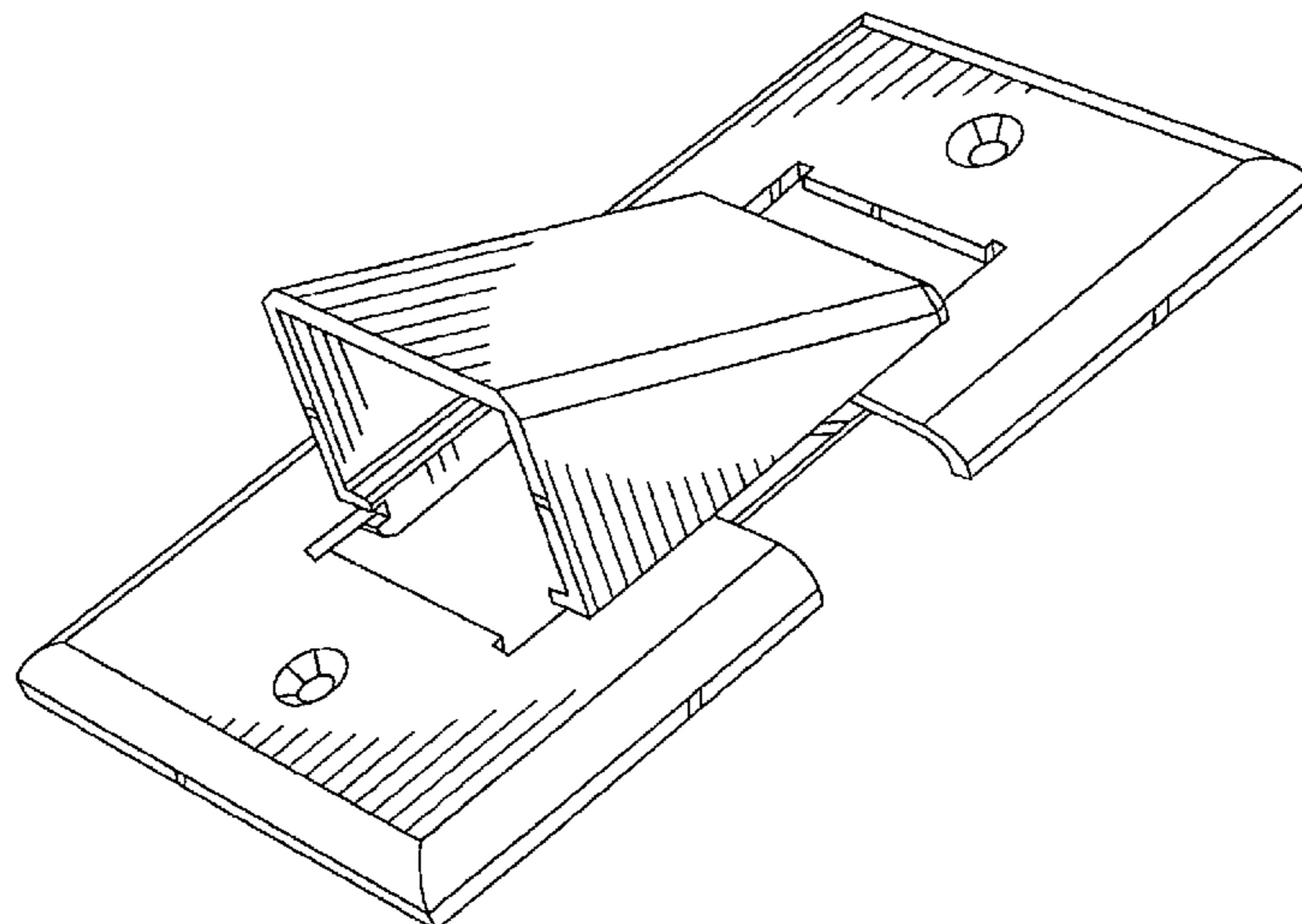
FIG. 9 is an exploded perspective view of FIG. 1;

FIG. 10 is an exploded bottom perspective view of FIG. 9;

FIG. 11 is an alternate perspective view of FIG. 1, illustrating the sectional plate partially assembled; and,

FIG. 12 is bottom perspective view of FIG. 11.

1 Claim, 12 Drawing Sheets



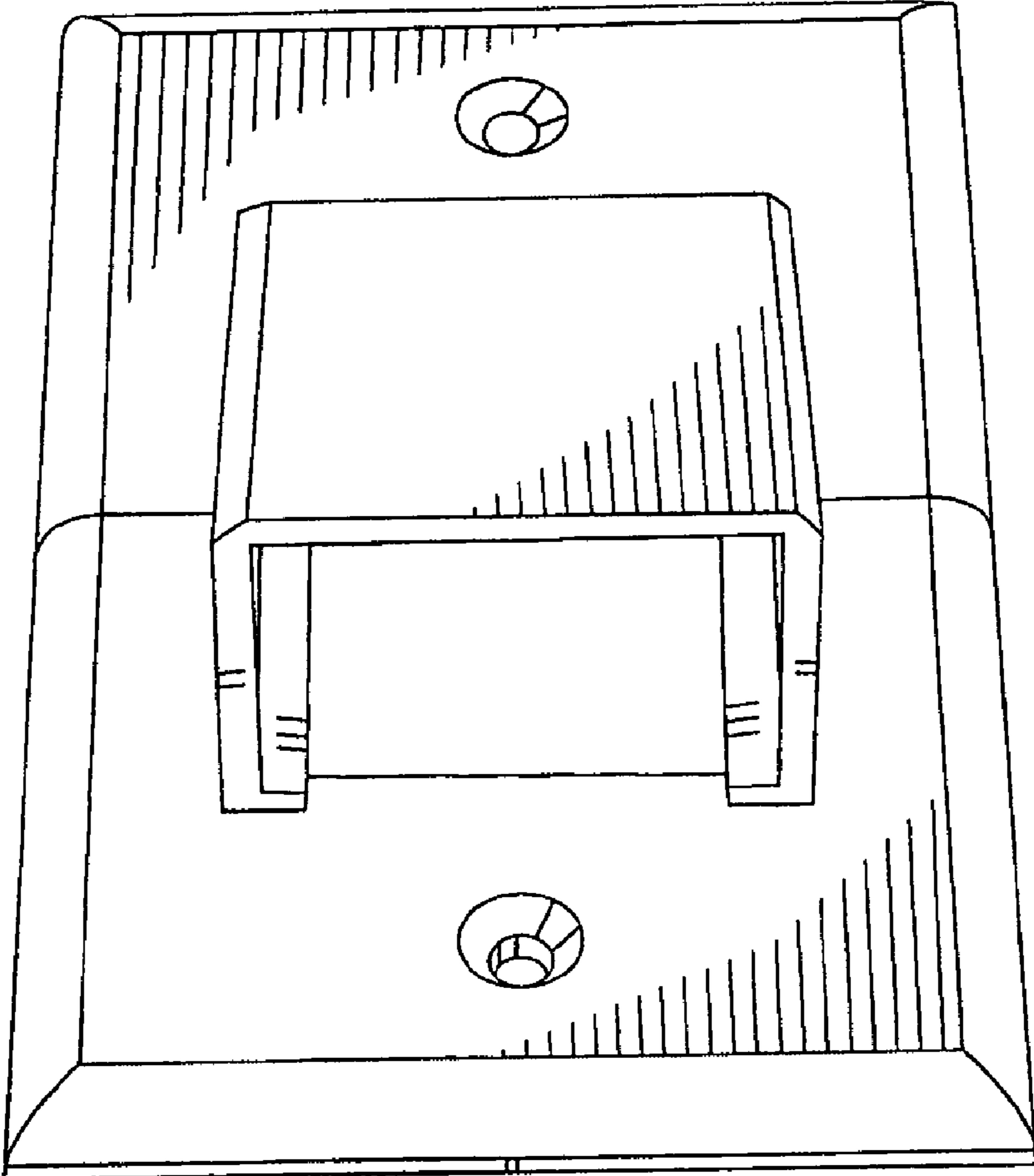


Figure 1

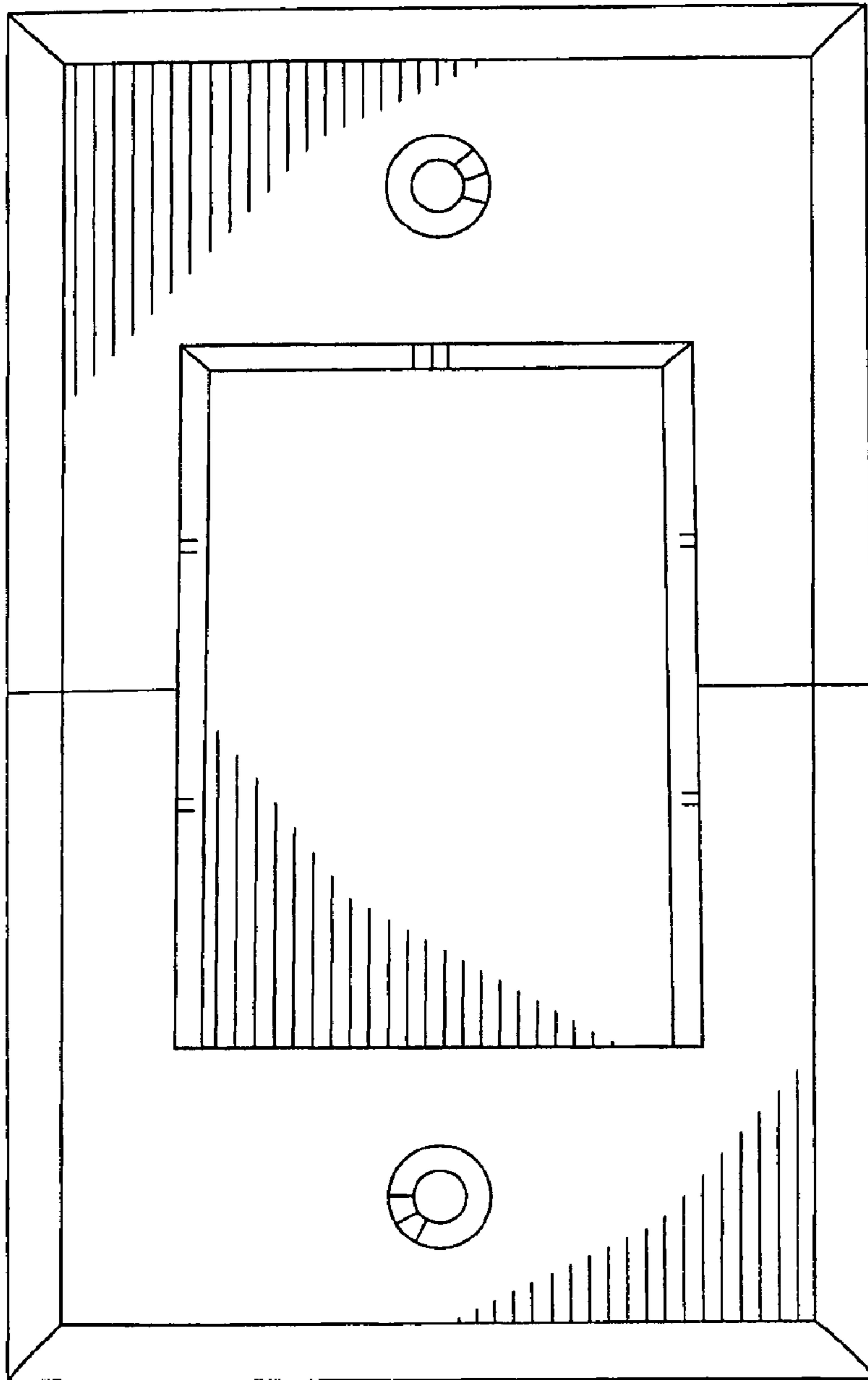


Figure 2

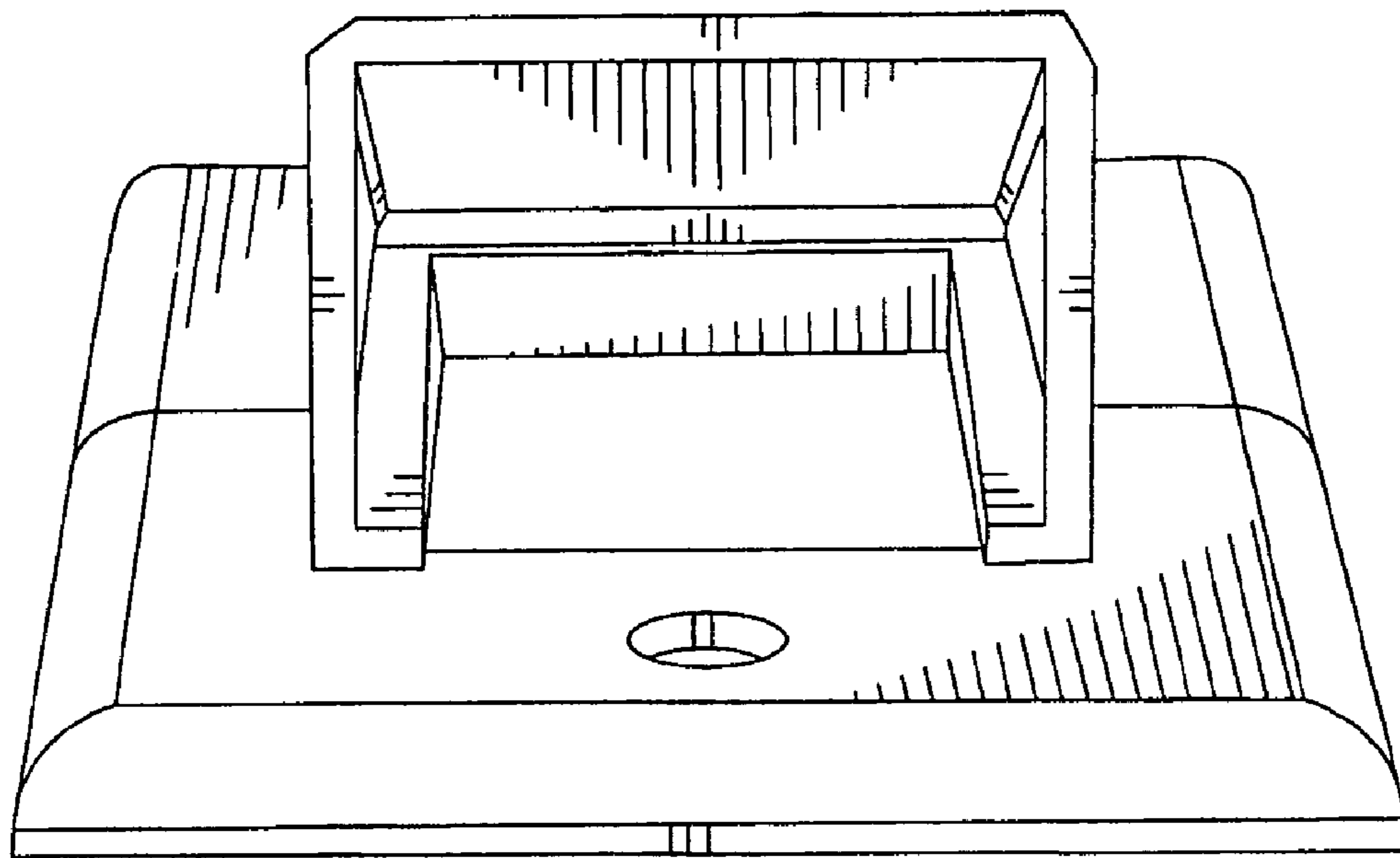


Figure 3

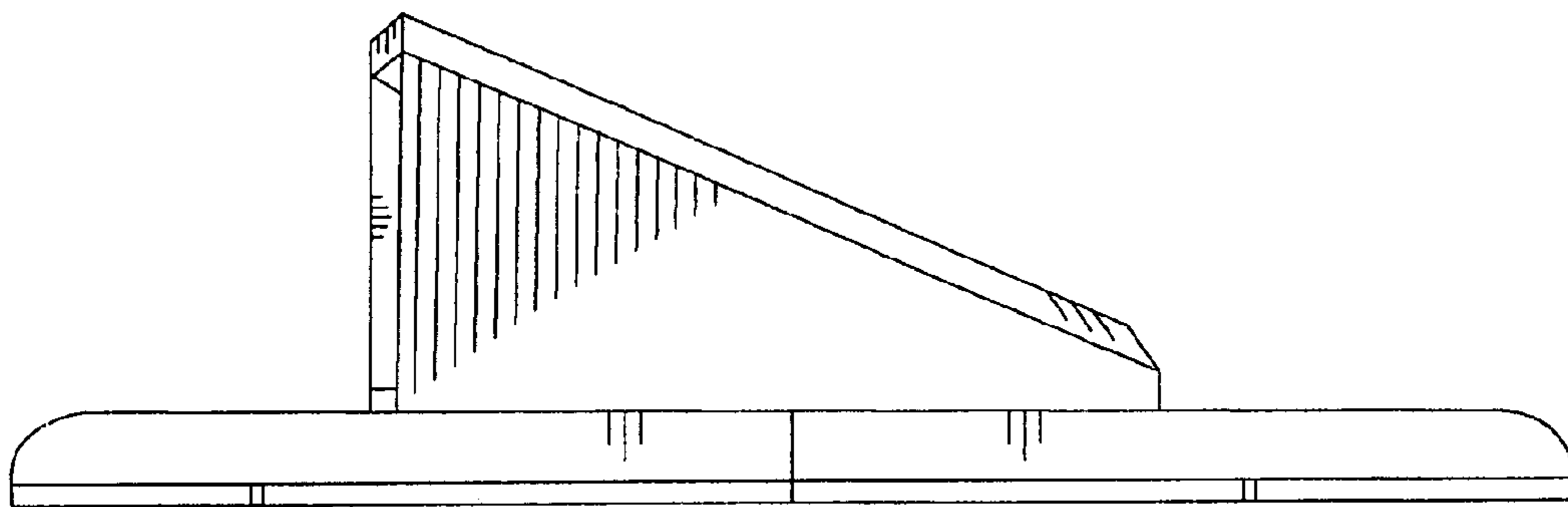


Figure 4

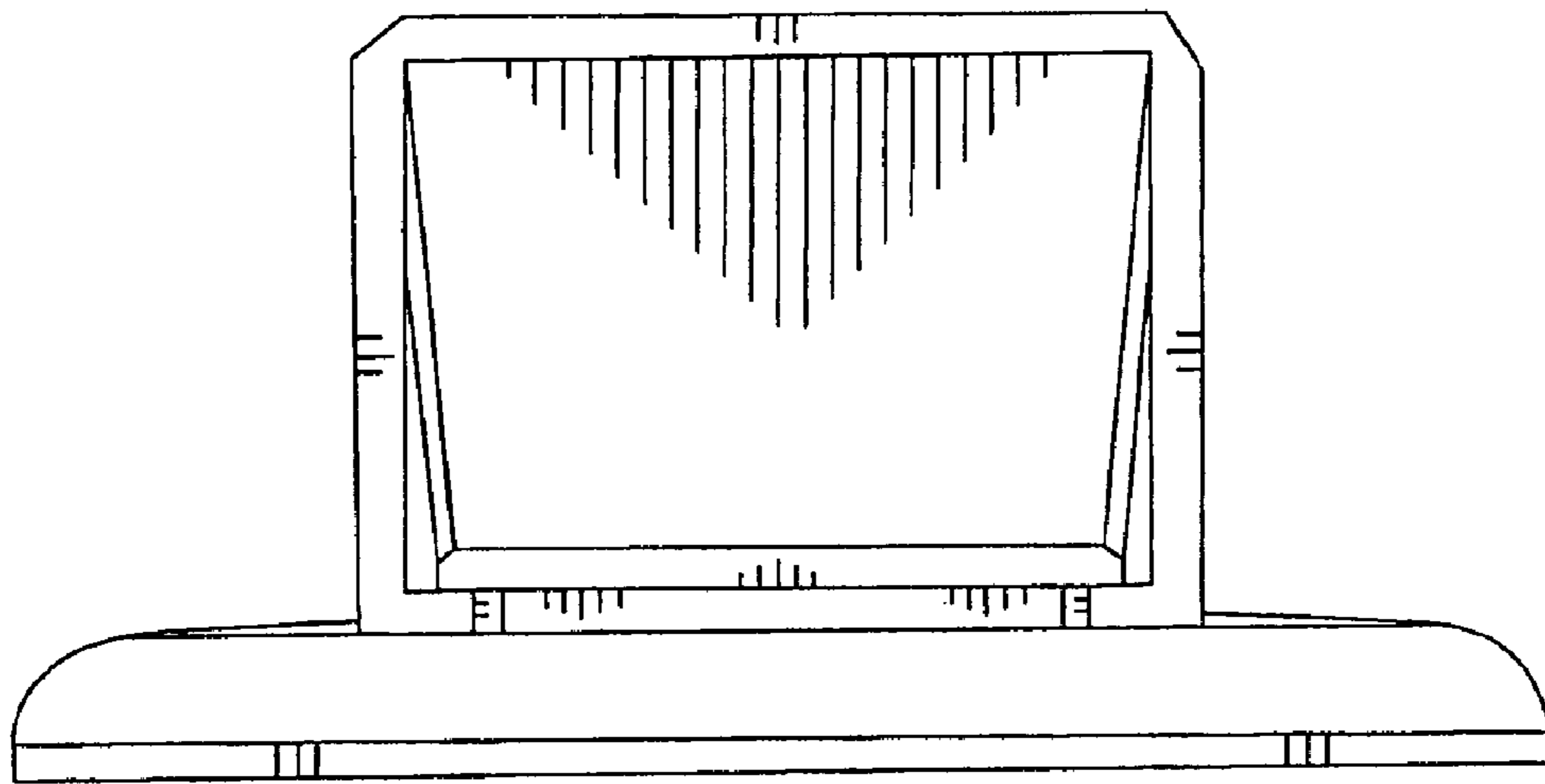


Figure 5

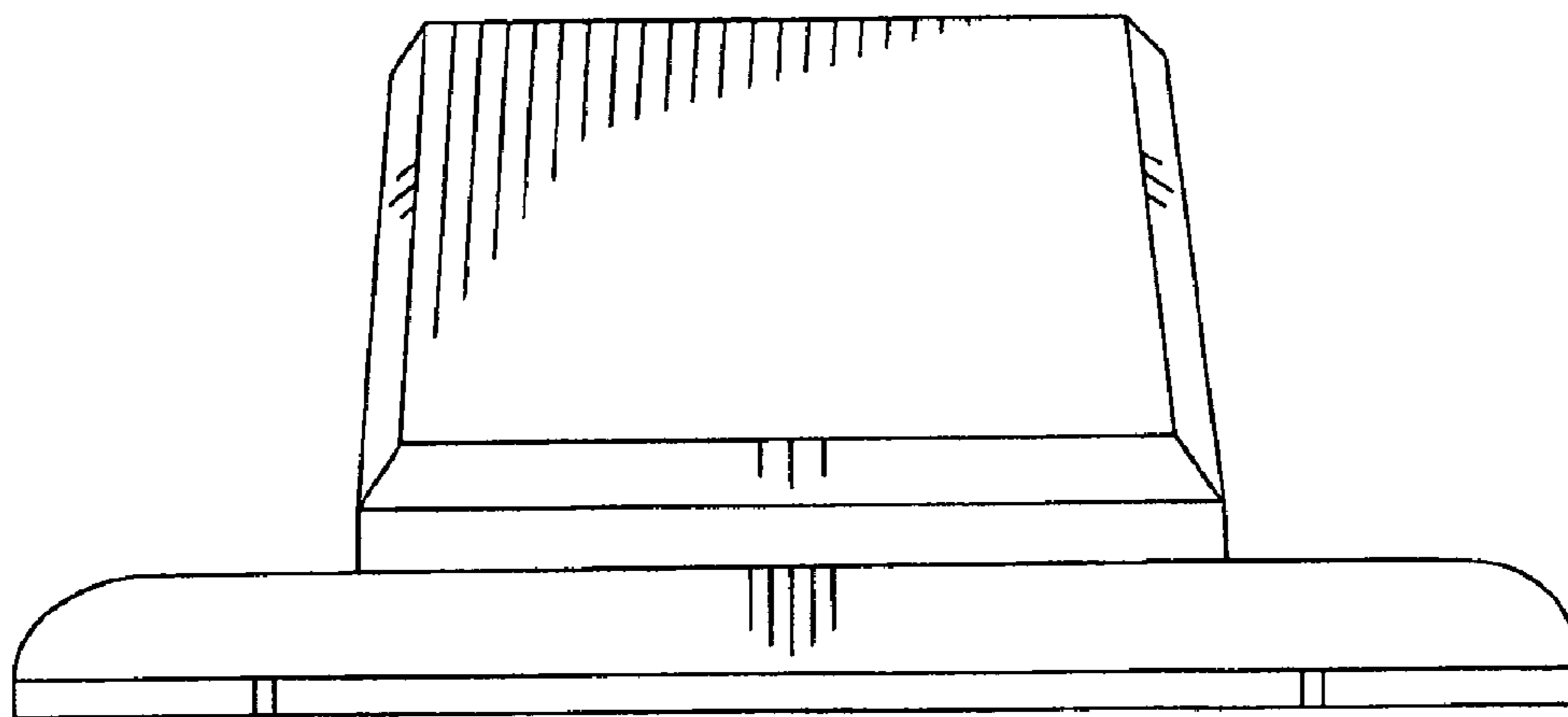


Figure 6

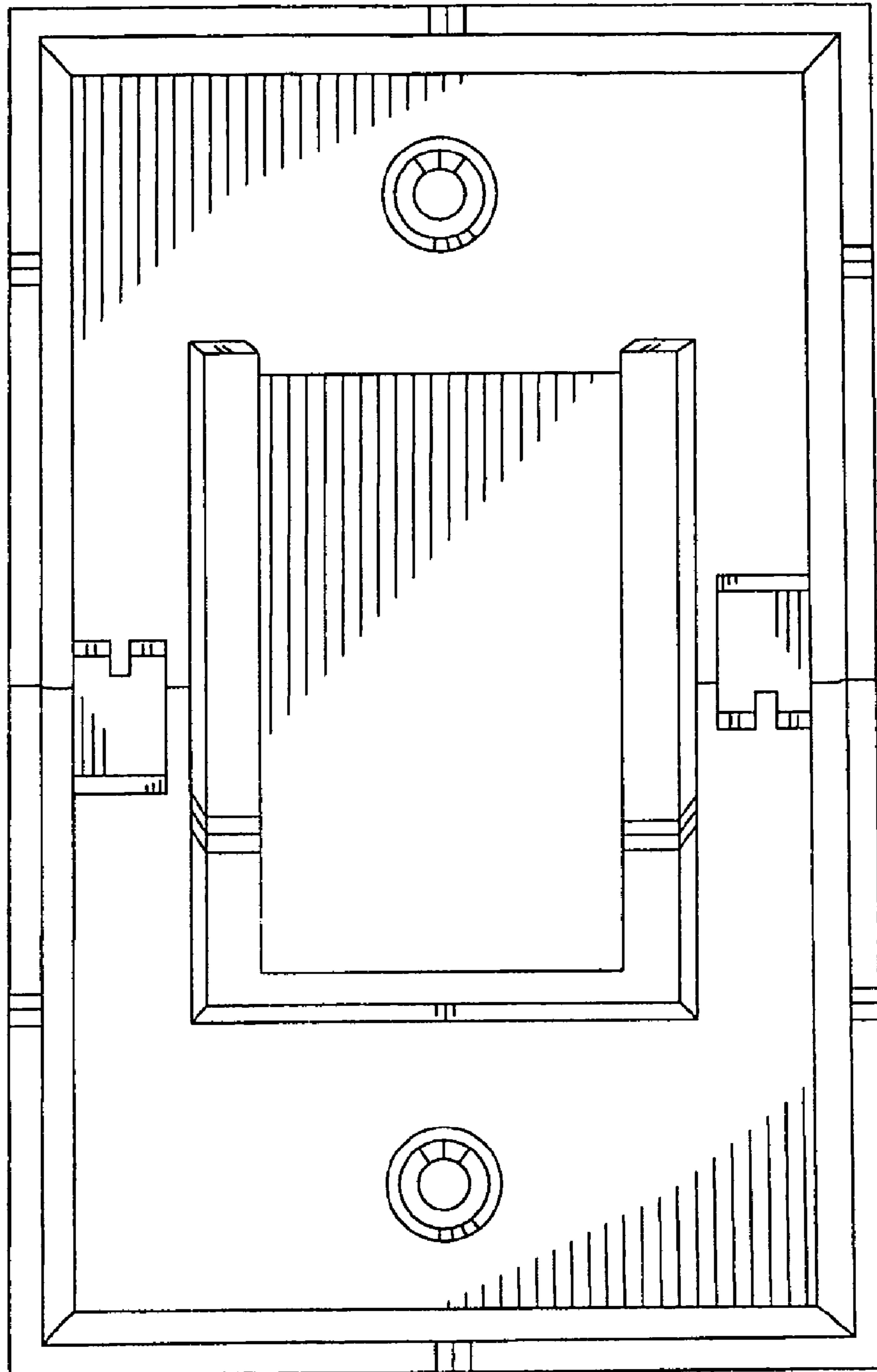


Figure 7

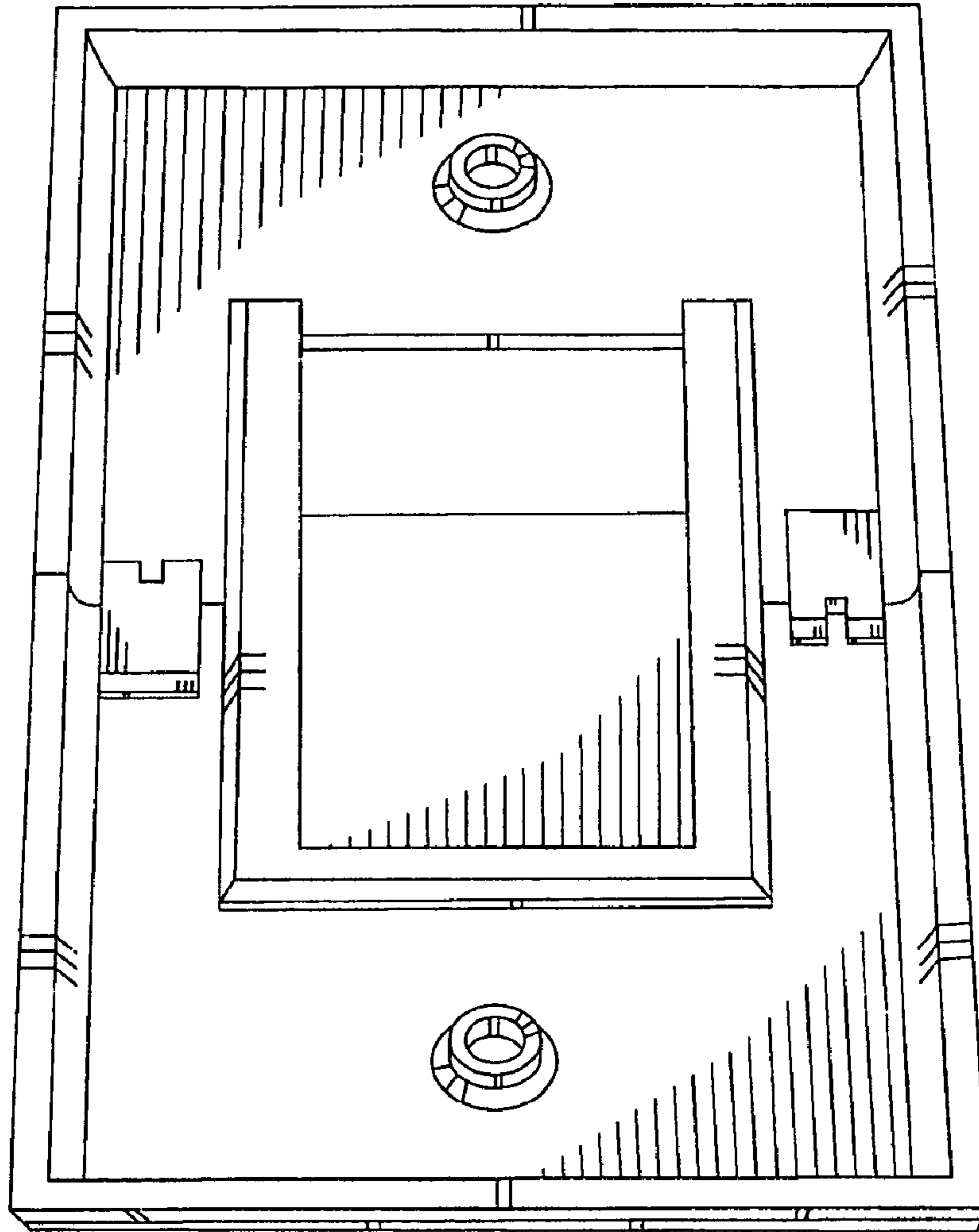


Figure 8

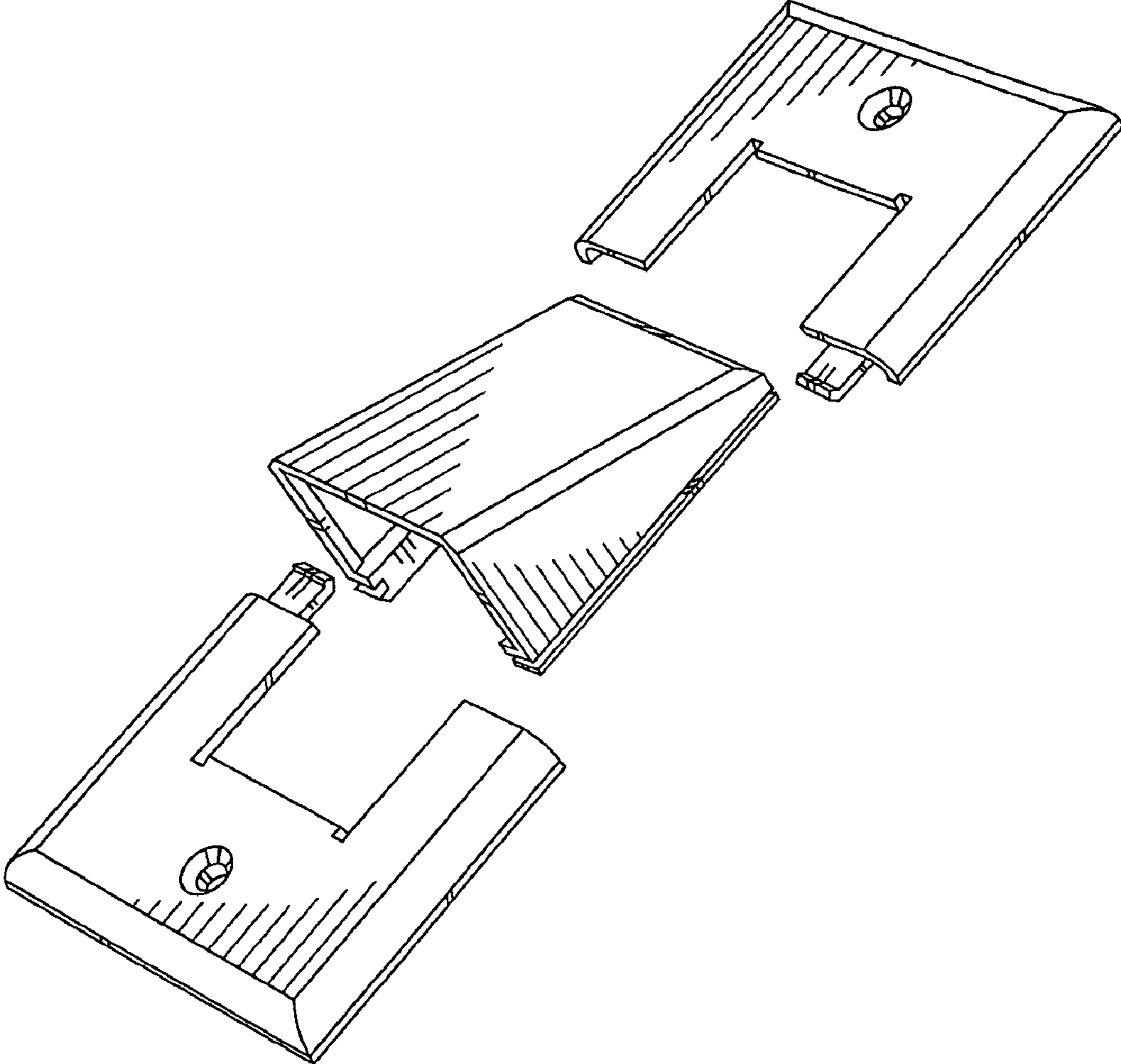


Figure 9

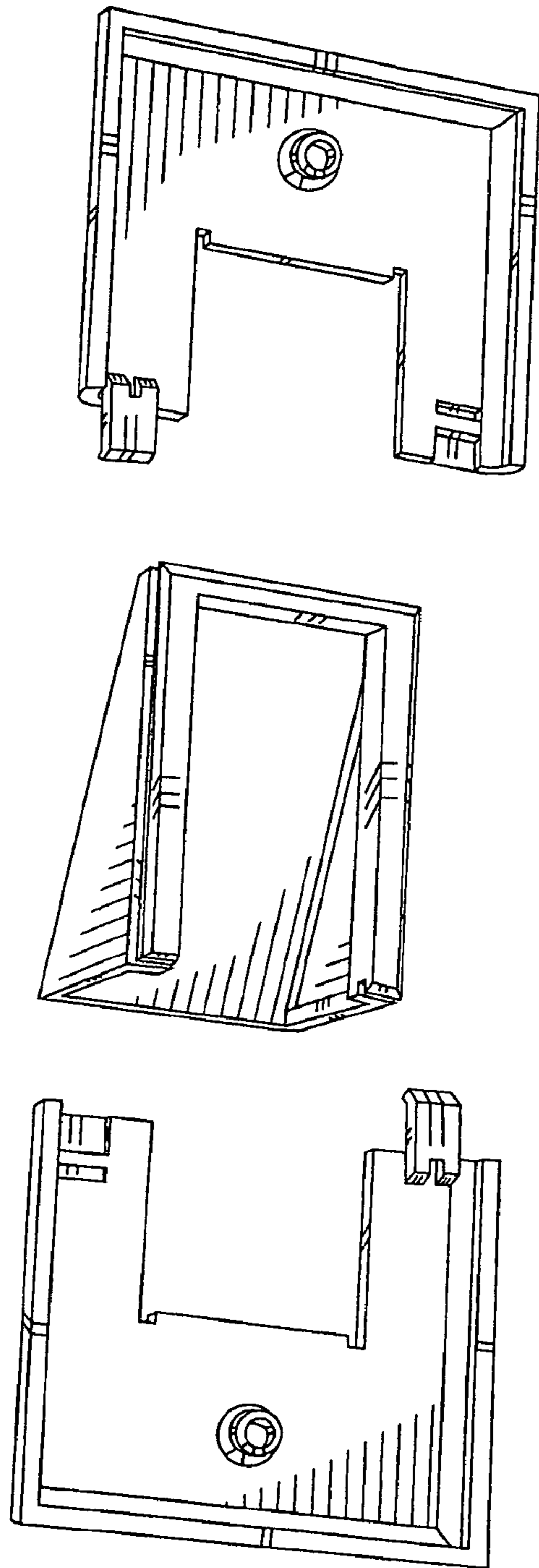


Figure 10

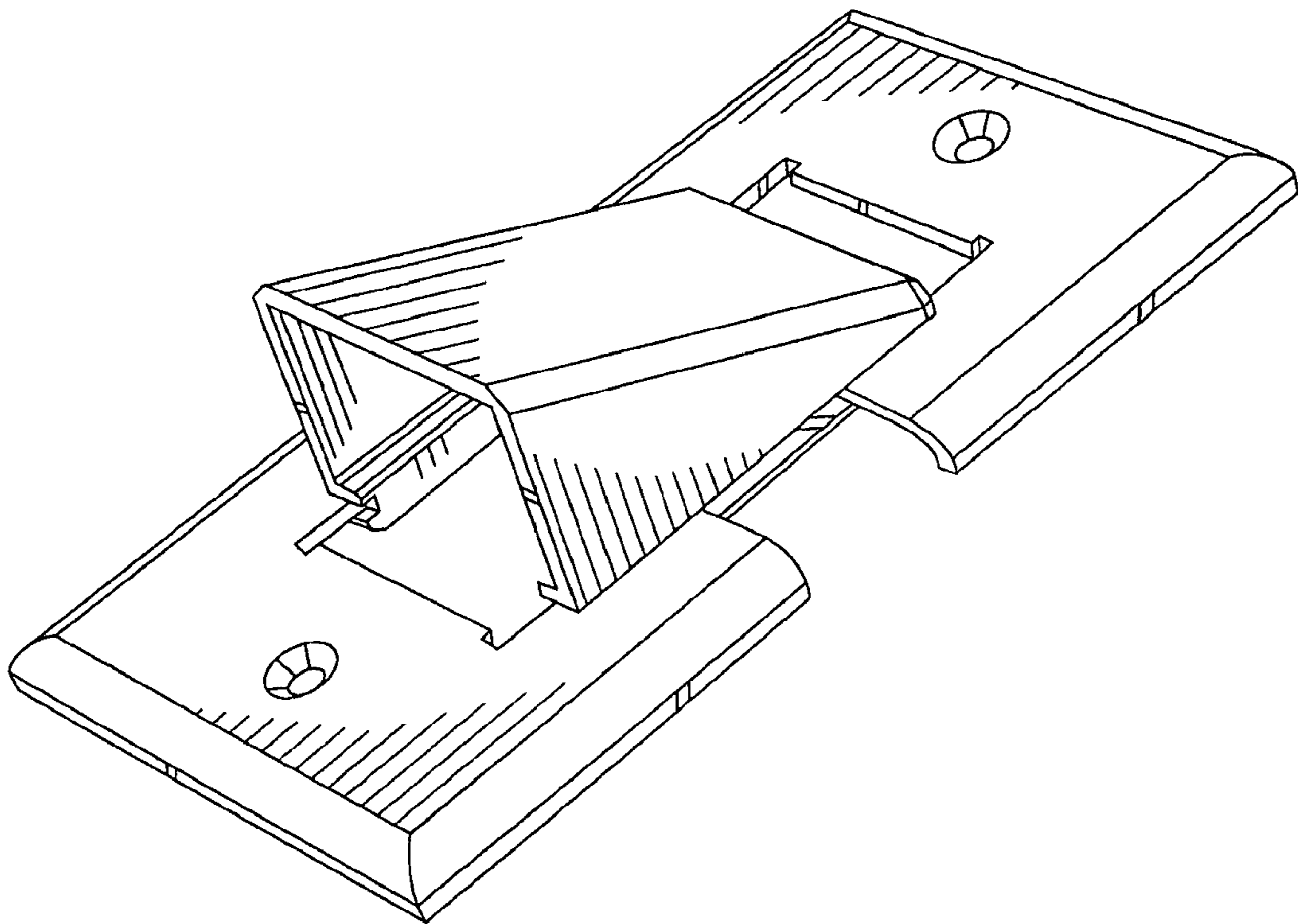


Figure 11

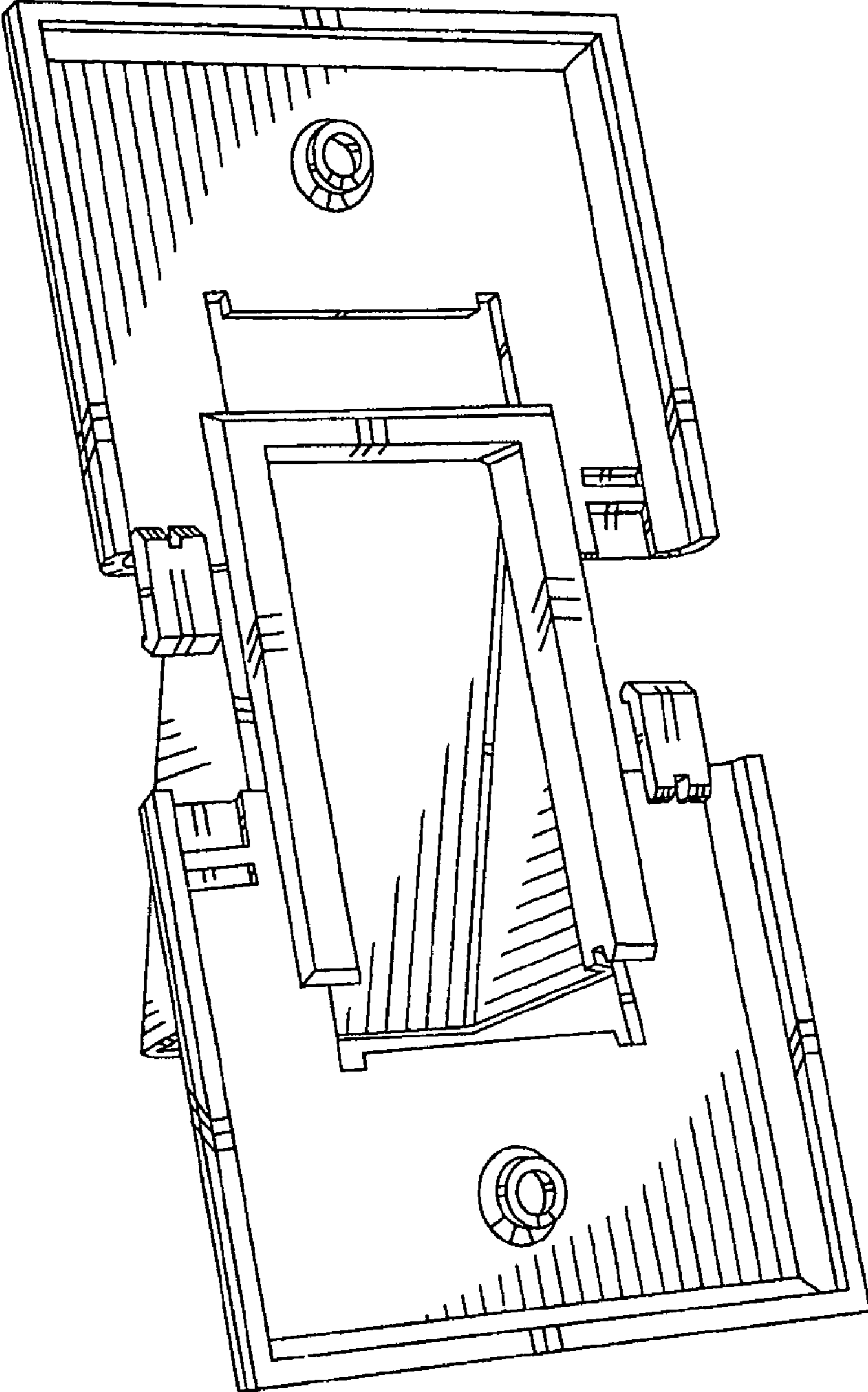


Figure 12