



US00D632544S

(12) **United States Design Patent**
Garcia, Jr. et al.

(10) **Patent No.:** **US D632,544 S**

(45) **Date of Patent:** **** Feb. 15, 2011**

(54) **NITROUS OXIDE BOTTLE MOUNT**

(76) Inventors: **Robert James Garcia, Jr.**, 4632 S.
Pagosa Cir., Aurora, CO (US) 80015;
William Eckhardt, 14697 E. Easter
Ave., Centennial, CO (US) 80112

(**) Term: **14 Years**

(21) Appl. No.: **29/357,150**

(22) Filed: **Mar. 8, 2010**

(51) **LOC (9) Cl.** **08-08**

(52) **U.S. Cl.** **D8/349; D12/223**

(58) **Field of Classification Search** D8/349,
D8/363, 499, 396, 394; D12/223; D24/227,
D24/228, 230; D7/401.1, 387; 24/115 R;
224/567; 248/205.1, 688, 65, 74.1, 103,
248/121, 126, 200, 352, 503; 73/296; 177/136,
177/245, DIG. 9

See application file for complete search history.

(56) **References Cited**

U.S. PATENT DOCUMENTS

D244,255	S *	5/1977	Snyder	D8/355
4,783,029	A *	11/1988	Geppert et al.	248/74.1
4,951,902	A *	8/1990	Hardtke	248/74.1
D323,974	S *	2/1992	Sachs	D8/396
5,784,764	A *	7/1998	Djordjevic	24/279
5,967,099	A *	10/1999	Patrick	123/1 A
D492,888	S *	7/2004	Wilson	D8/349
6,769,659	B1 *	8/2004	Martello	248/311.2
6,842,922	B2 *	1/2005	Smeed	5/503.1
D505,603	S *	5/2005	Chang	D8/14
6,889,513	B1 *	5/2005	Clark	62/244
7,267,001	B1 *	9/2007	Stein	73/296

7,562,788	B2 *	7/2009	Watanabe et al.	220/562
7,699,043	B2 *	4/2010	Atherley	123/585
D619,452	S *	7/2010	Ollila	D8/396
2009/0114784	A1 *	5/2009	Tam	248/205.1
2010/0051567	A1 *	3/2010	Ross, Jr.	211/85.18

* cited by examiner

Primary Examiner—Mark A Goodwin

(74) *Attorney, Agent, or Firm*—Lathrop & Gage LLP

(57) **CLAIM**

We claim the ornamental design for a nitrous oxide bottle mount, as shown and described.

DESCRIPTION

FIG. 1 is top plan view a nitrous oxide bottle mount according to the present invention;

FIG. 2 is a front elevation view of the nitrous oxide bottle mount;

FIG. 3 is a bottom plan view of the nitrous oxide bottle mount;

FIG. 4 is a front elevation view like that of FIG. 2, but showing an arbitrary design rearrangement as the nitrous oxide bottle mount is shifted from a closed position to an open position;

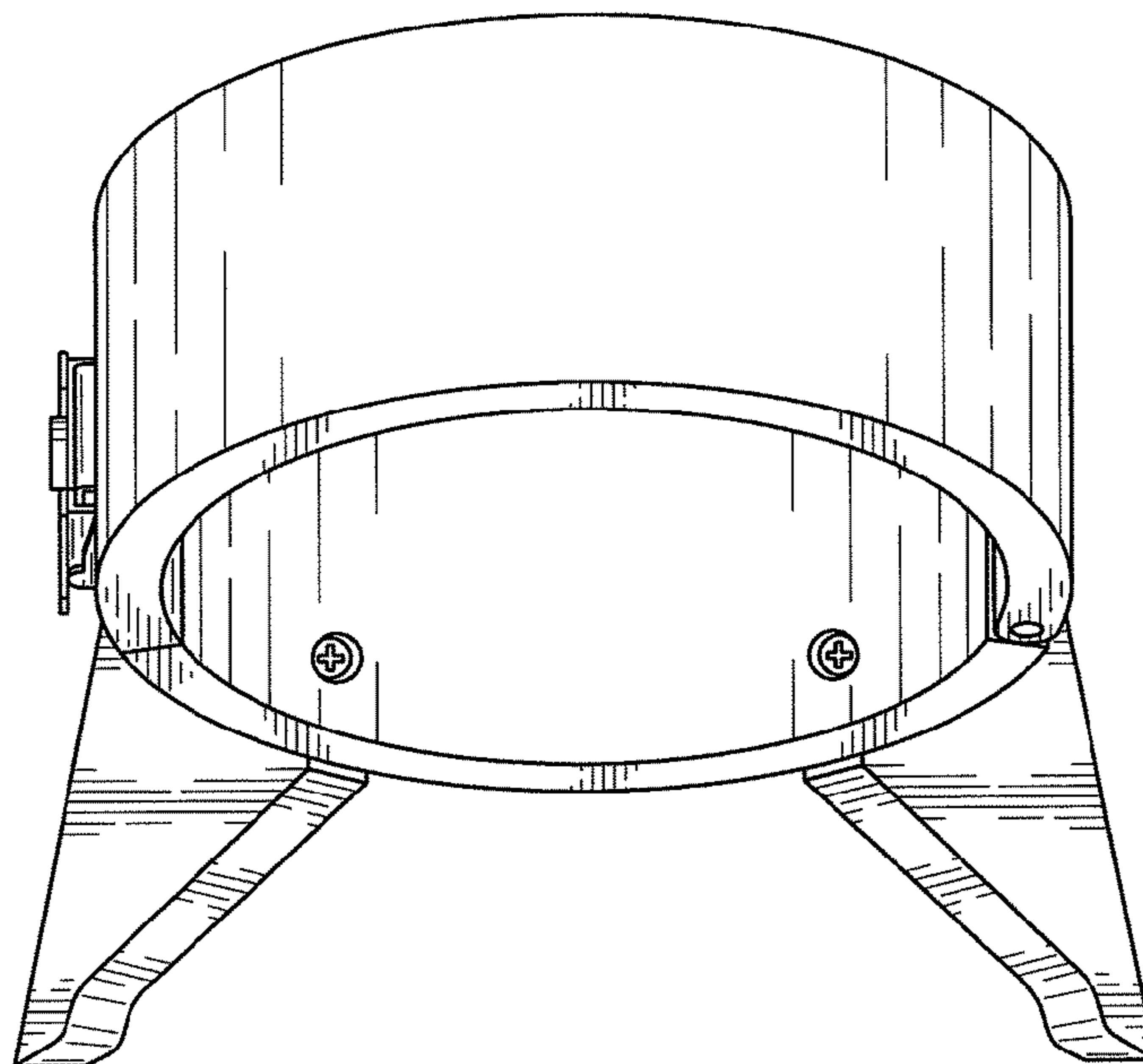
FIG. 5 is a left side elevation view of the nitrous oxide bottle mount;

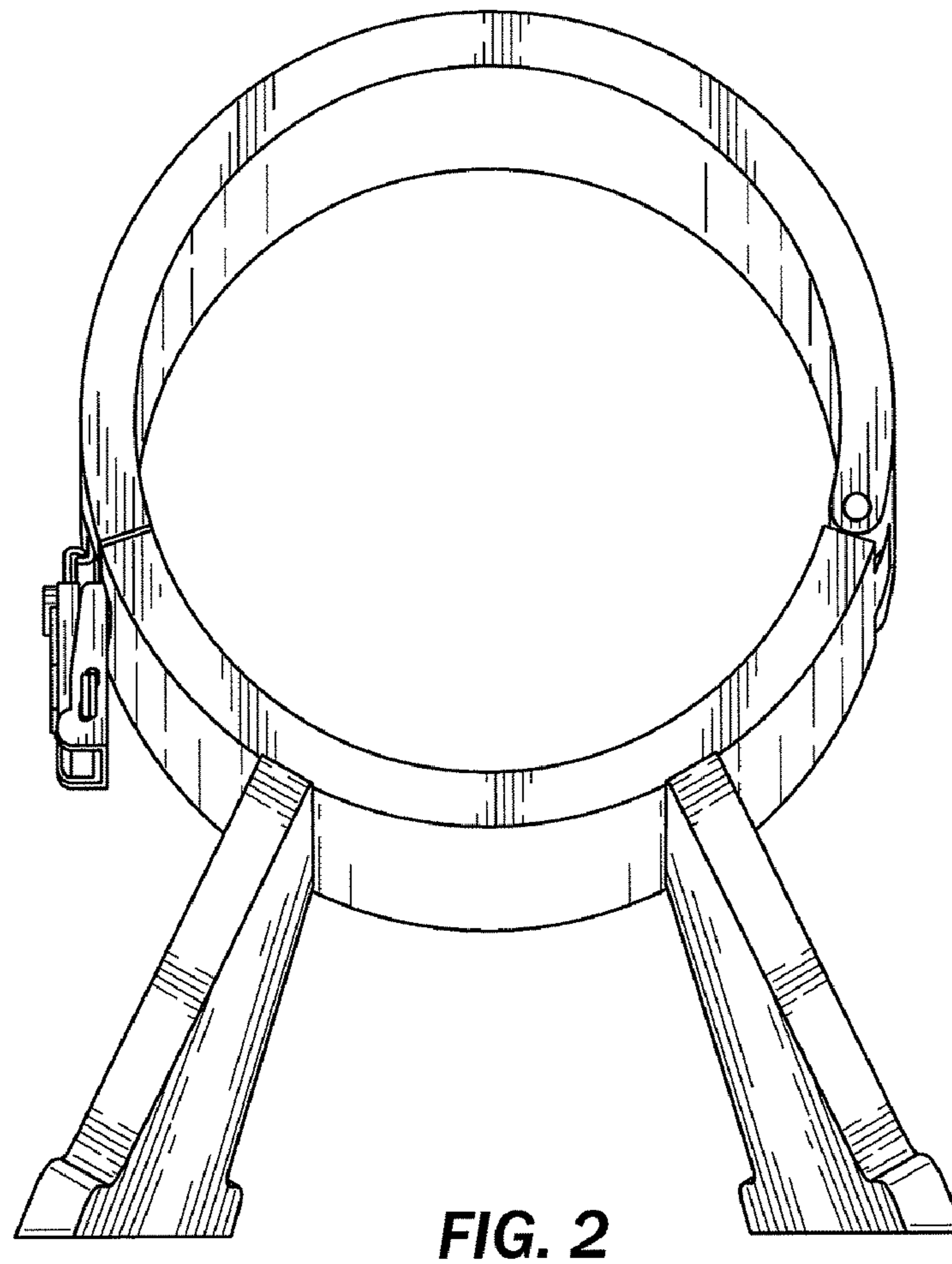
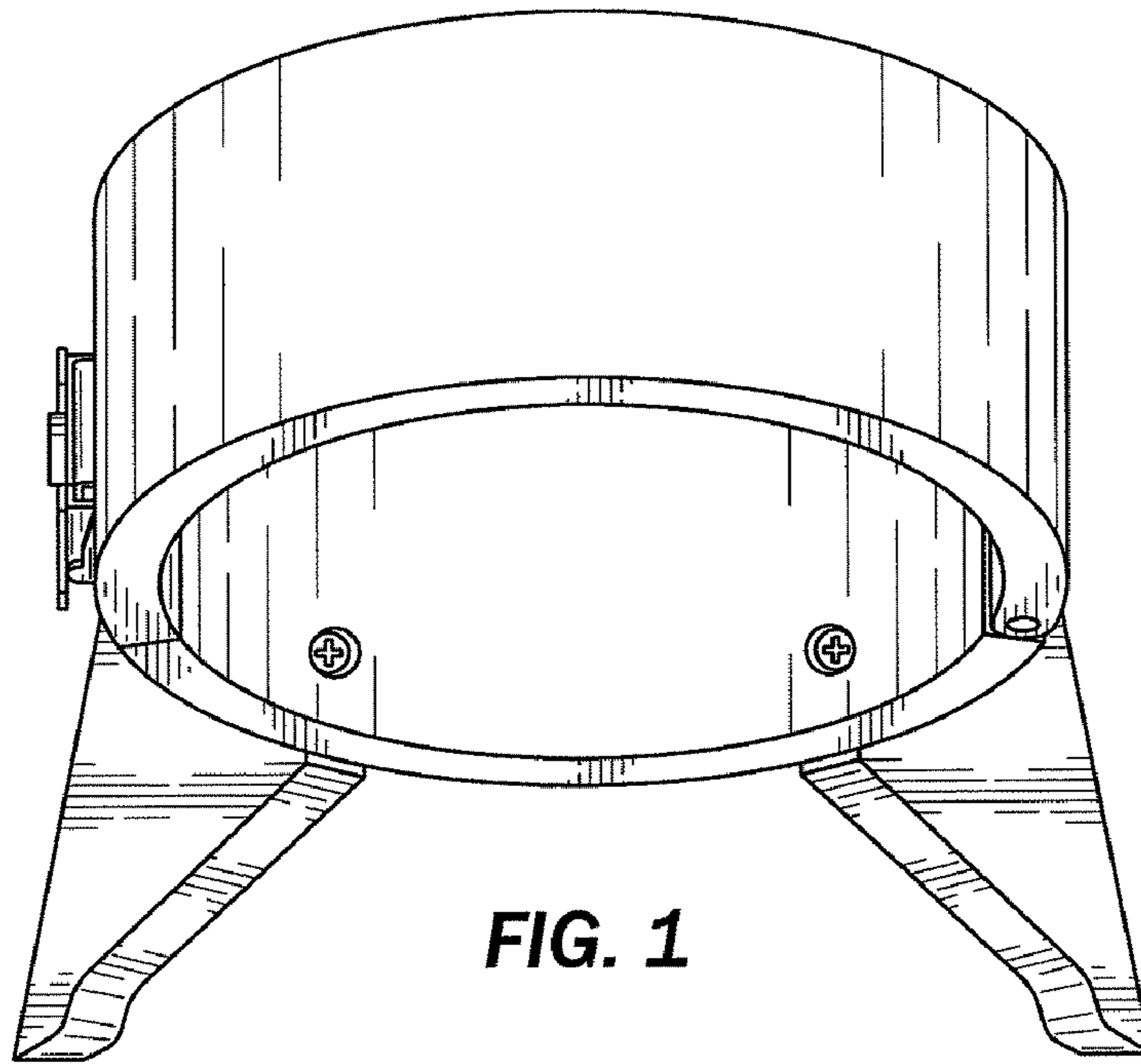
FIG. 6 is a top left rear perspective of the nitrous oxide bottle mount;

FIG. 7 is a rear elevation view of the nitrous oxide bottle mount; and,

FIG. 8 is a right side elevation; view of the nitrous oxide bottle mount.

1 Claim, 5 Drawing Sheets





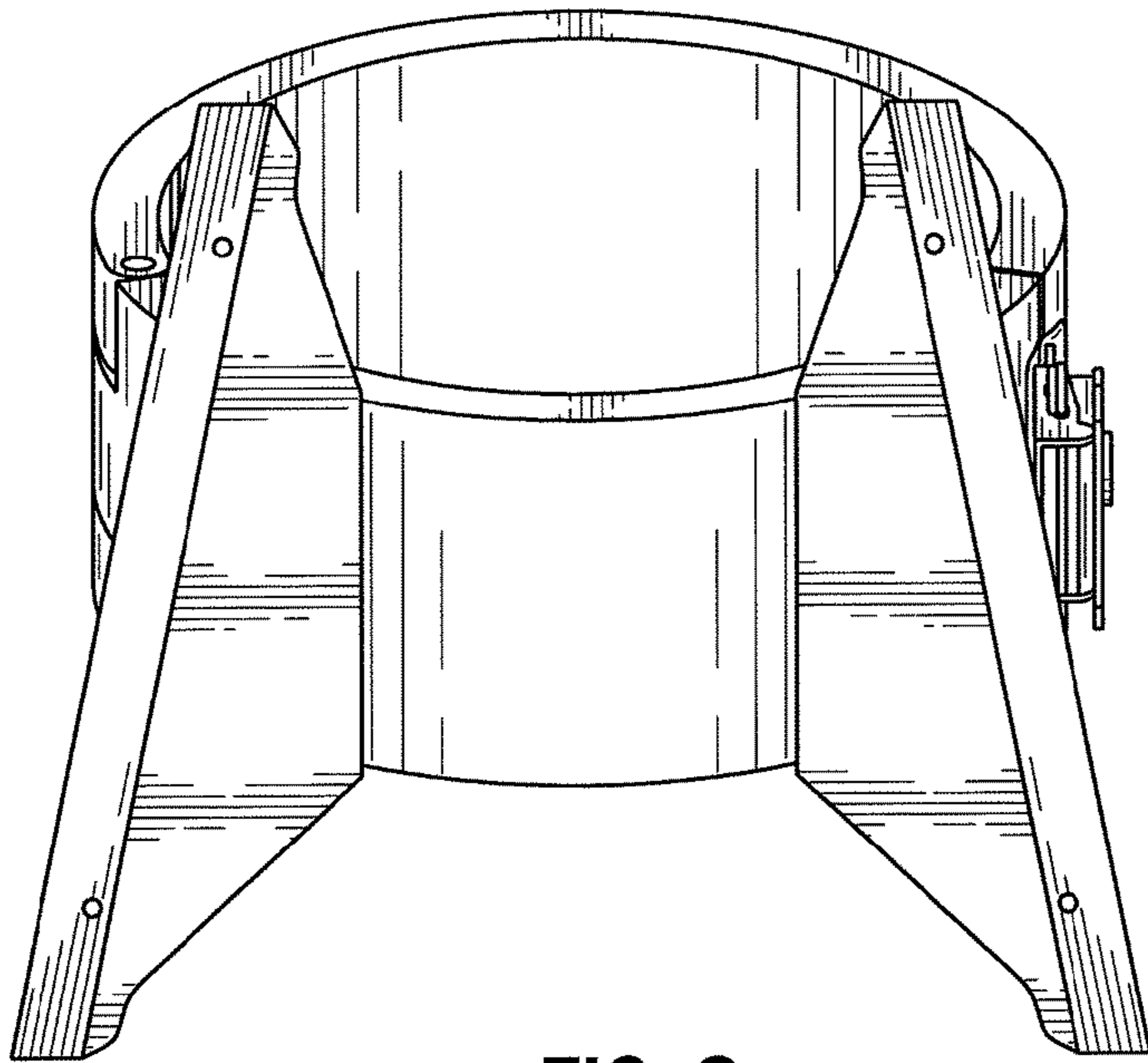


FIG. 3

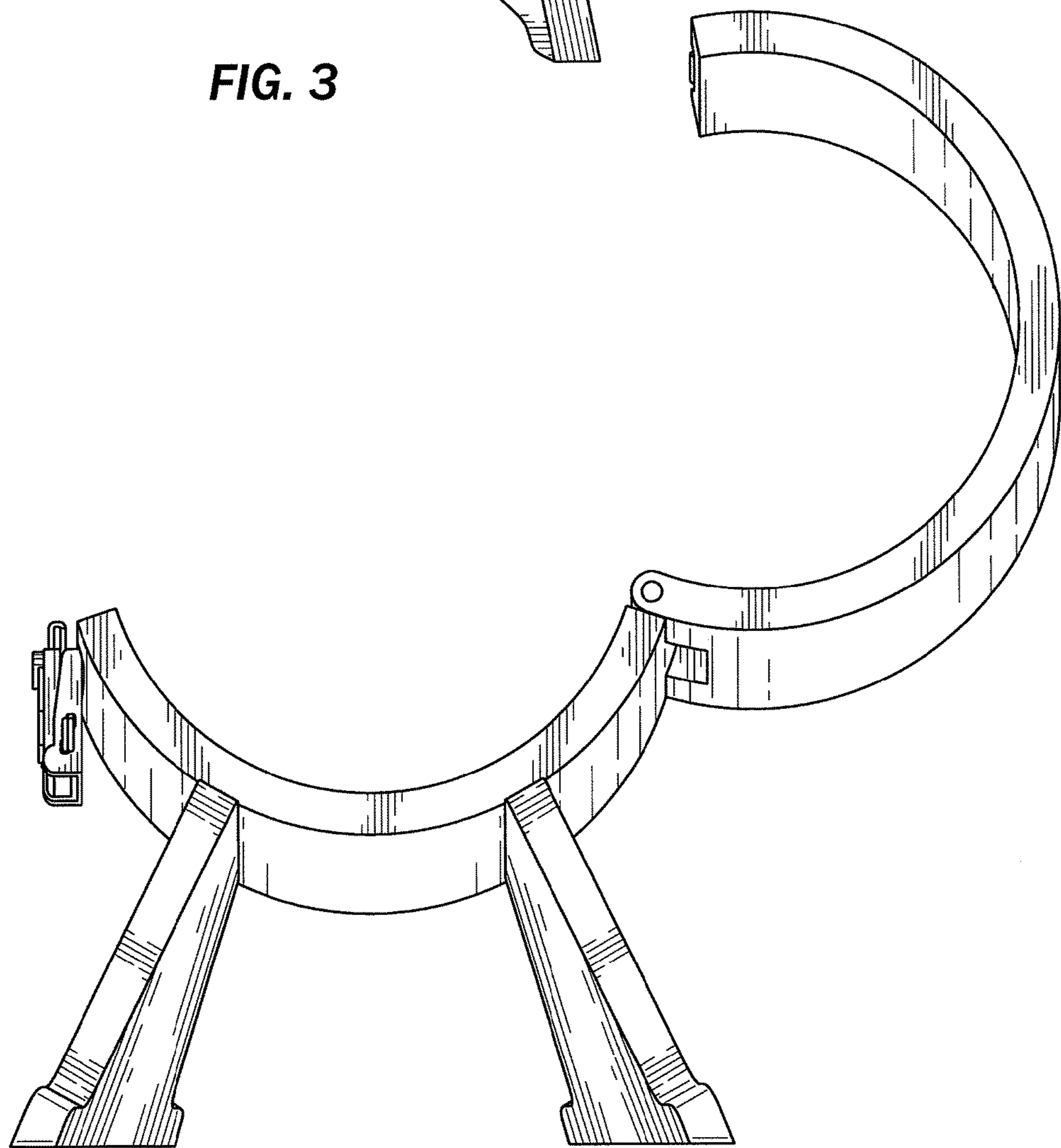


FIG. 4

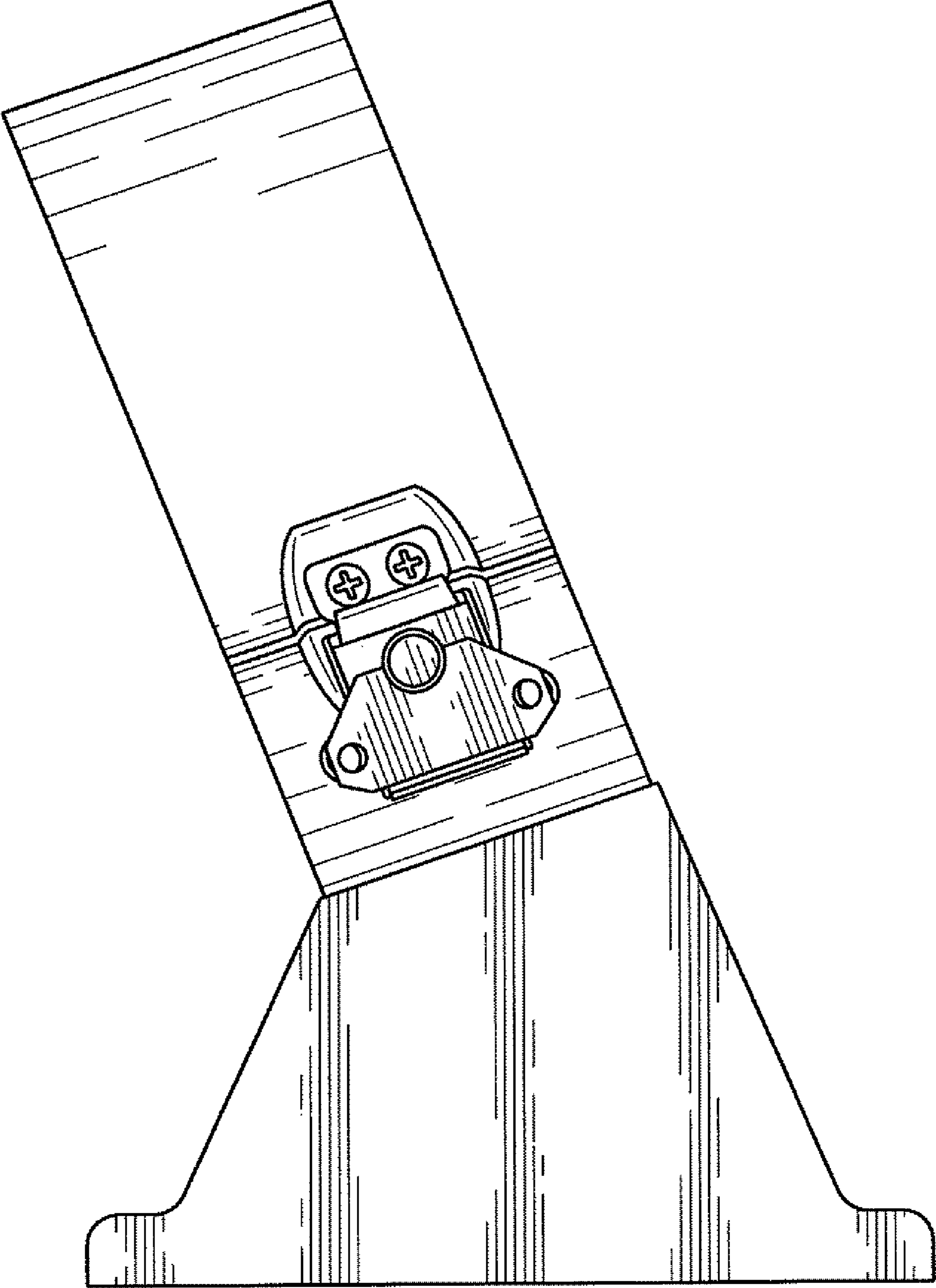


FIG. 5

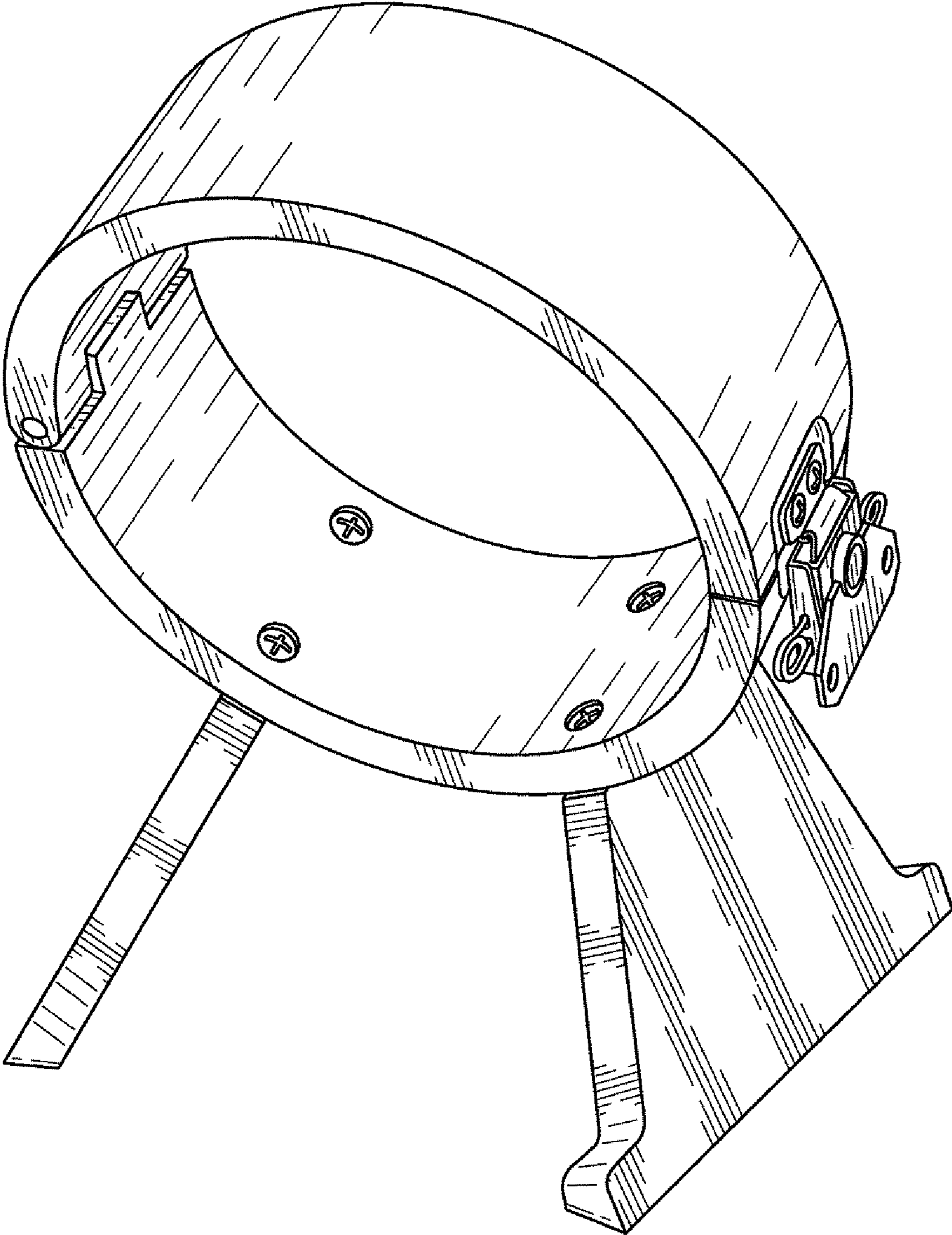


FIG. 6

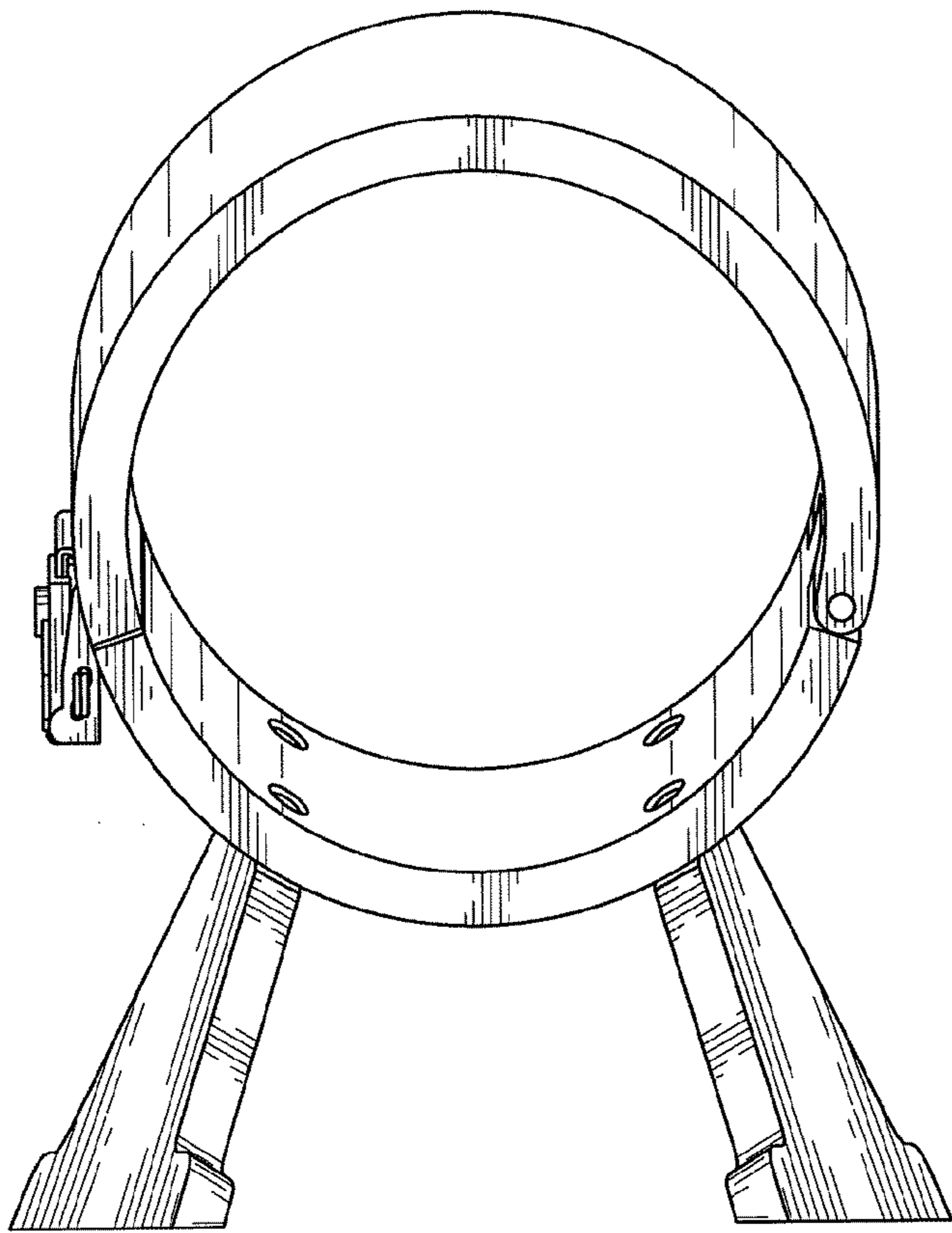


FIG. 7

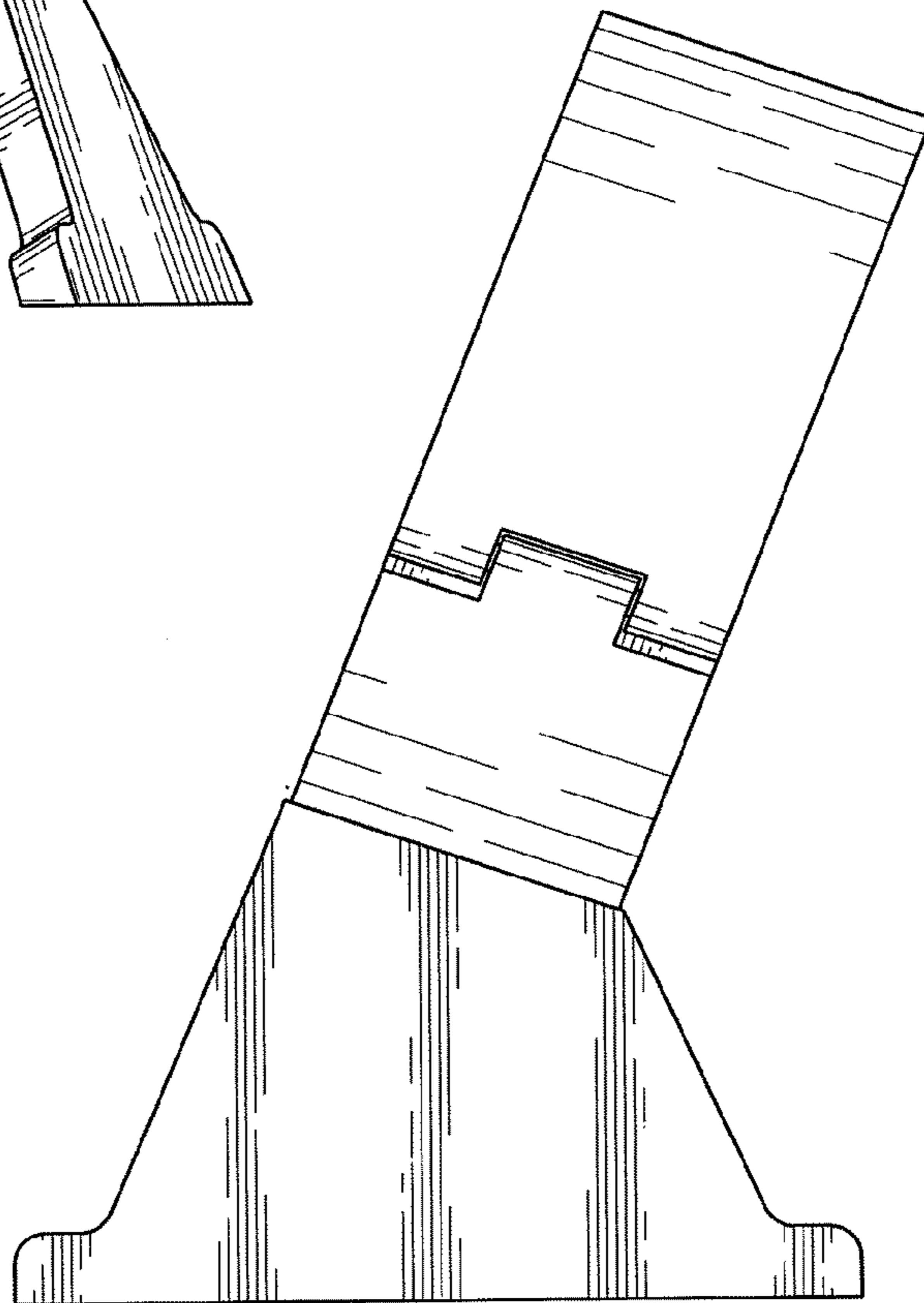


FIG. 8