



US00D632539S

(12) **United States Design Patent**  
**Taylor et al.**

(10) **Patent No.:** **US D632,539 S**  
(45) **Date of Patent:** **\*\* Feb. 15, 2011**

- (54) **KNIFE HANDLE**
- (75) Inventors: **Morgan Taylor**, Kingsport, TN (US);  
**Cheng Chi He**, Yangjiang (CN)
- (73) Assignee: **Taylor Brands, LLC**, Kingsport, TN  
(US)
- (\*\*) Term: **14 Years**
- (21) Appl. No.: **29/335,286**
- (22) Filed: **Apr. 13, 2009**
- (51) **LOC (9) Cl.** ..... **08-03**
- (52) **U.S. Cl.** ..... **D8/99**
- (58) **Field of Classification Search** ..... D7/649,  
D7/651; D8/95-100, 107; D22/118; 30/154-162,  
30/329-331  
See application file for complete search history.

- D562,932 S 2/2008 Taylor
- 7,380,483 B2 \* 6/2008 Hu ..... 81/176.1
- D578,857 S 10/2008 Yang-Fu
- D592,033 S \* 5/2009 Bloch ..... D8/99
- D599,640 S 9/2009 Yang-Fu
- D599,641 S 9/2009 Yang-Fu
- D600,090 S 9/2009 Yang-Fu
- 7,631,582 B2 \* 12/2009 Hu ..... 81/177.1
- 2007/0283653 A1 \* 12/2007 Garner et al. .... 52/410

OTHER PUBLICATIONS

Schrade Scaly California Issue Pocket Knife, Yellow. Downloaded Oct. 11, 2010 at [http://www.amazon.com/dp/B00190XK84/ref=asc\\_df\\_B00190XK841279686?smid...tag...\\*](http://www.amazon.com/dp/B00190XK84/ref=asc_df_B00190XK841279686?smid...tag...)

\* cited by examiner

*Primary Examiner*—Philip S Hyder  
*Assistant Examiner*—Roselyne Cody

(74) *Attorney, Agent, or Firm*—Luedeka, Neely & Graham, PC

(56) **References Cited**

U.S. PATENT DOCUMENTS

- D252,182 S \* 6/1979 Poehlmann ..... D8/99
- D347,374 S \* 5/1994 Sakai ..... D8/99
- D373,296 S \* 9/1996 Thompson ..... D8/99
- D376,089 S \* 12/1996 Allen ..... D8/80
- D378,982 S \* 4/1997 Thompson ..... D8/99
- D385,173 S \* 10/1997 McWillis ..... D8/99
- D387,966 S \* 12/1997 Horn ..... D8/99
- 5,963,999 A 10/1999 Gardiner et al.
- 5,983,506 A \* 11/1999 Glesser ..... 30/340
- D450,993 S \* 11/2001 Kayson et al. .... D8/99
- D509,124 S \* 9/2005 Keppel et al. .... D8/99
- D512,624 S 12/2005 Taylor et al.
- D528,894 S \* 9/2006 Ping ..... D8/99
- D545,658 S \* 7/2007 Worlen ..... D8/99
- D546,158 S \* 7/2007 Ping ..... D8/99
- D548,036 S \* 8/2007 Worlen ..... D8/99
- D561,554 S 2/2008 Taylor
- D562,102 S 2/2008 Pearman

(57) **CLAIM**

The ornamental design for a knife handle, as shown and described.

**DESCRIPTION**

FIGS. 1 and 2 are perspective views of the knife handle of our new design;

FIG. 3 is a left side view thereof;

FIG. 4 is a right side view thereof;

FIG. 5 is a bottom view thereof;

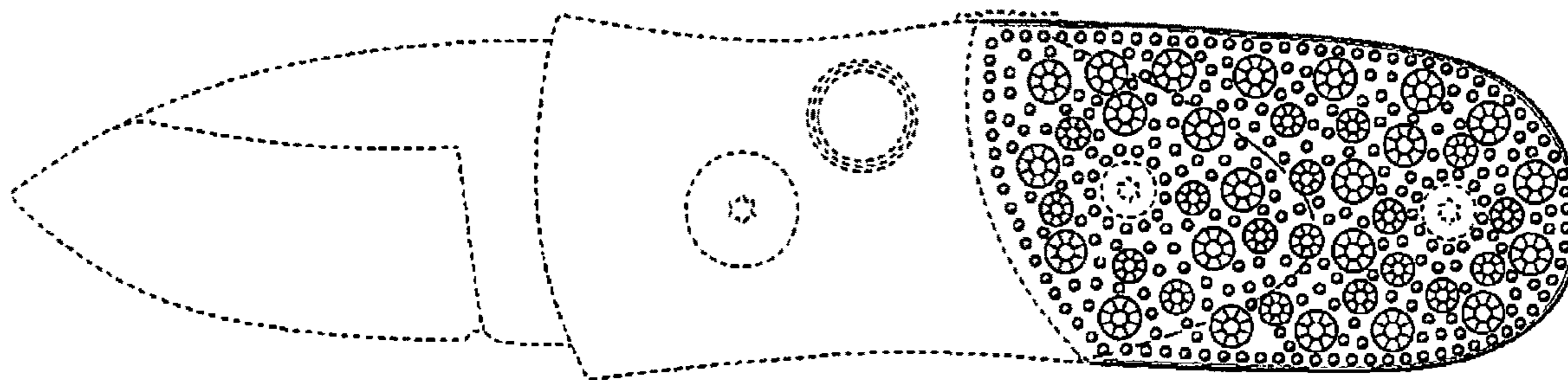
FIG. 6 is a top view thereof;

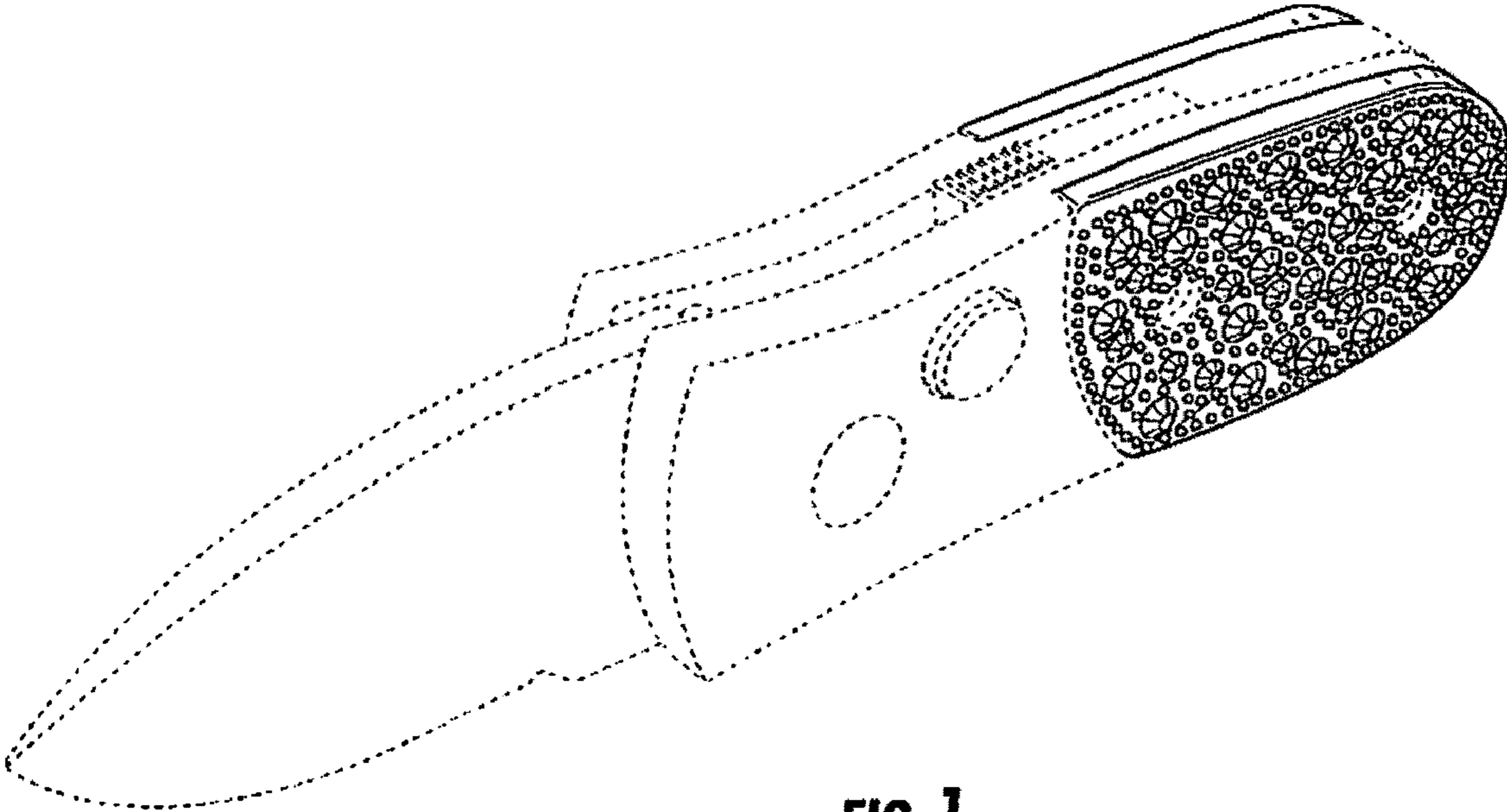
FIG. 7 is a front end view thereof; and,

FIG. 8 is a rear end view thereof.

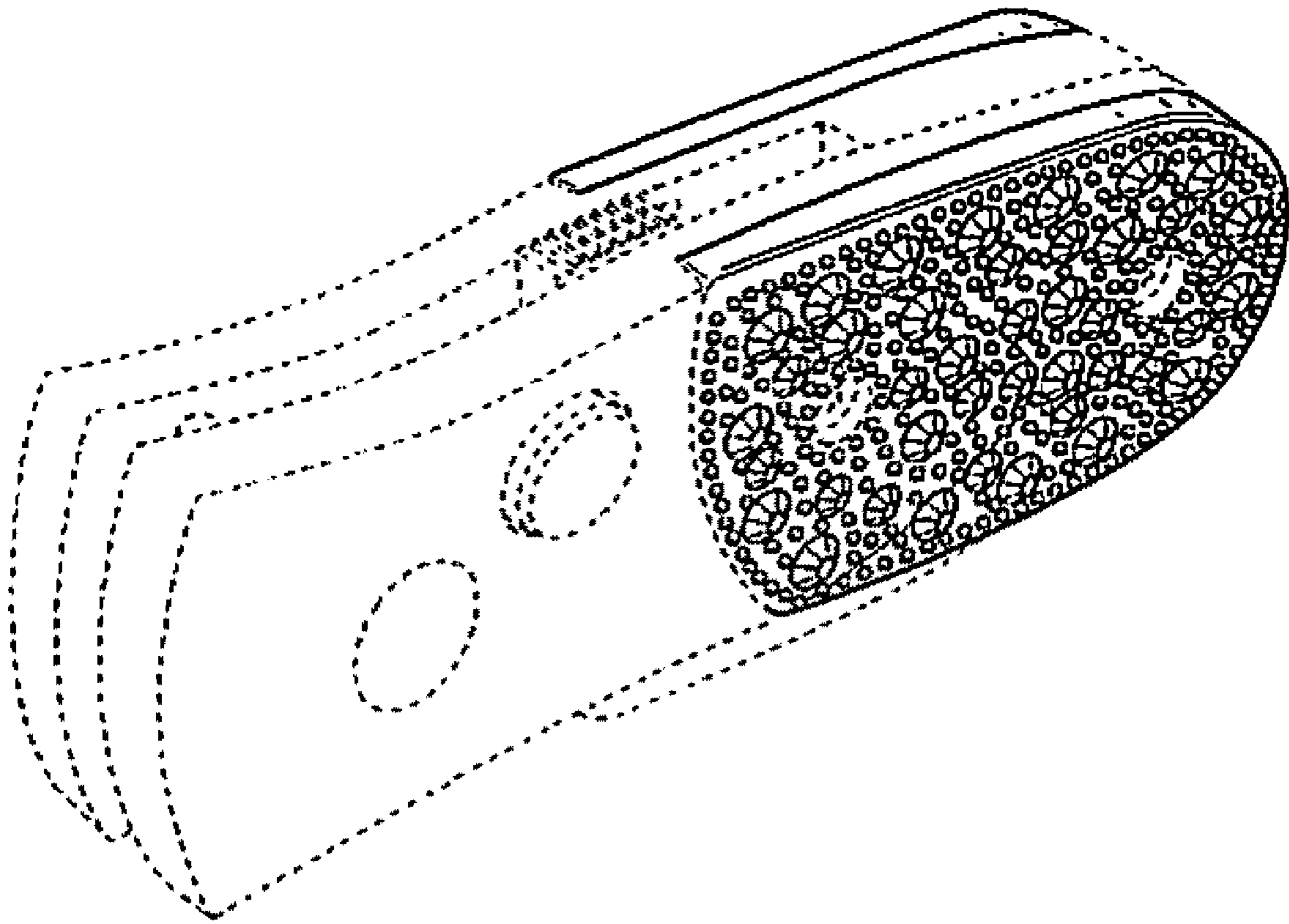
The phantom lines in the drawings illustrate portions of the knife and handle which form no part of the claim.

**1 Claim, 5 Drawing Sheets**





**FIG. 1**



**FIG. 2**

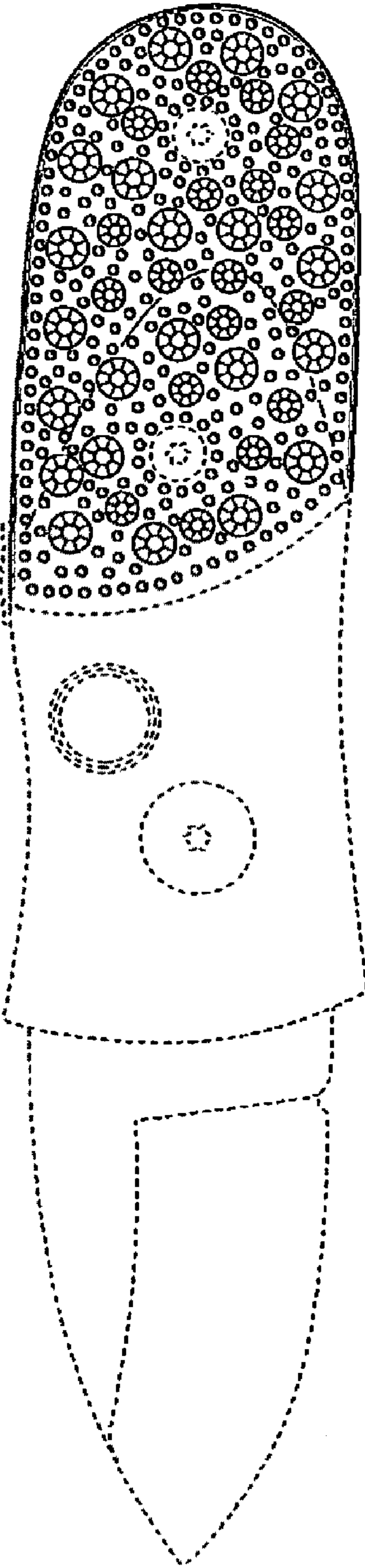


FIG. 3

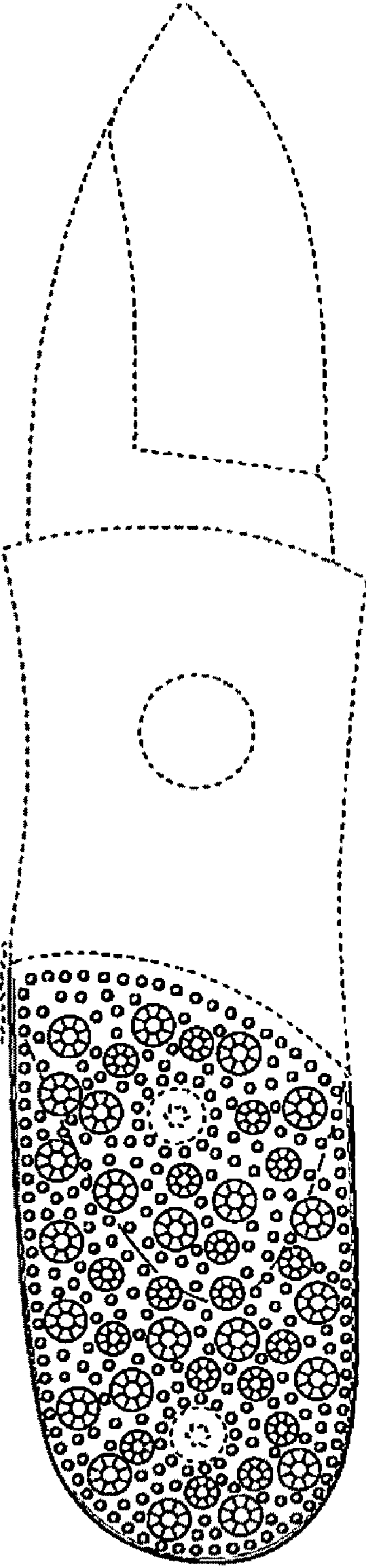
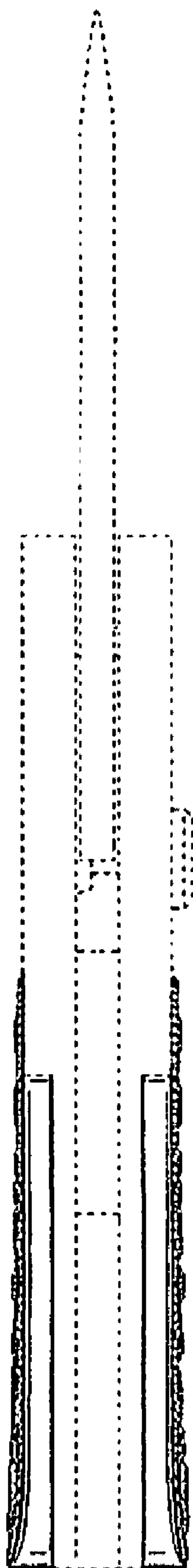
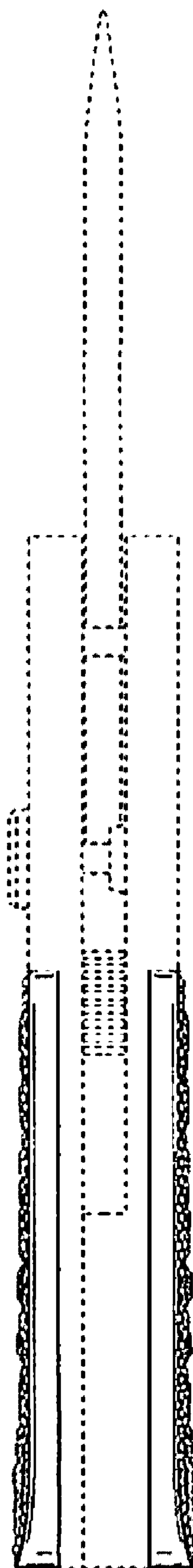


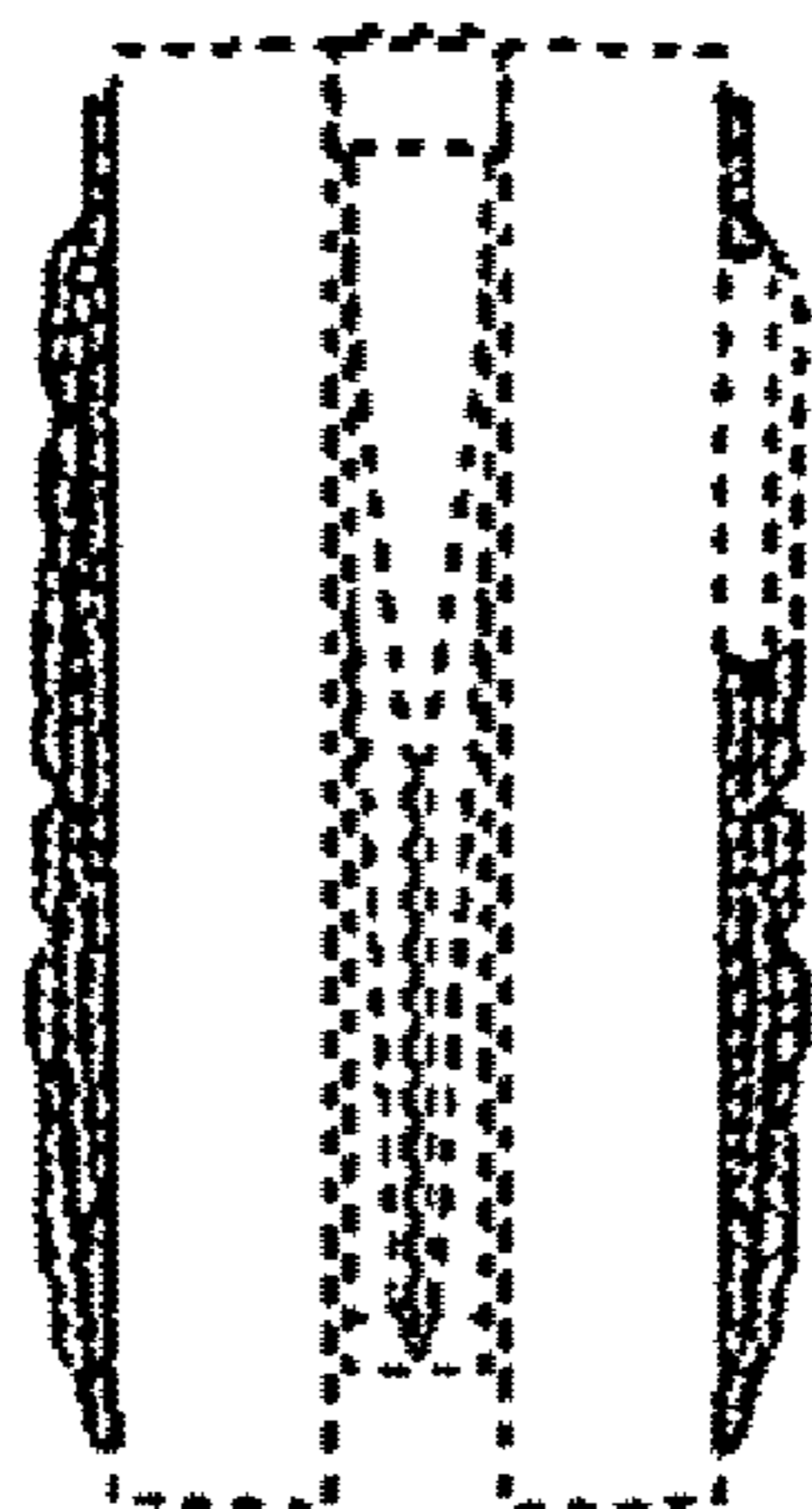
FIG. 4



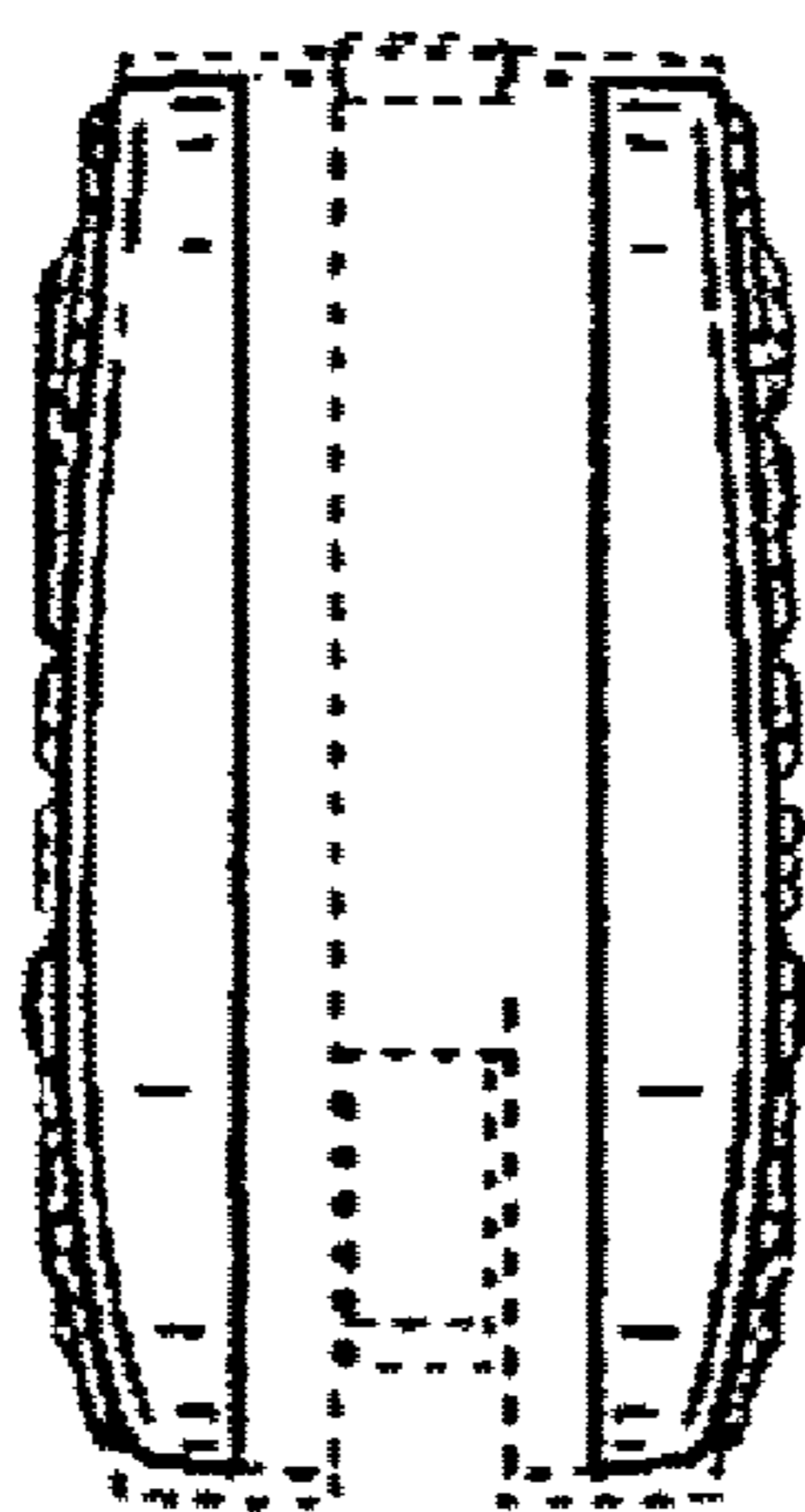
**FIG. 5**



**FIG. 6**



**FIG. 7**



**FIG. 8**