



US00D632536S

(12) **United States Design Patent**
Solar et al.

(10) **Patent No.:** **US D632,536 S**
(45) **Date of Patent:** **** Feb. 15, 2011**

(54) **MOTORIZED SCREWDRIVER**

(76) Inventors: **Matthew S. Solar**, 290 Normandy Dr.,
Indialantic, FL (US) 32903; **Craig J.**
Pagan, 1050 W. NASA Blvd., Suite 136,
Melbourne, FL (US) 32901; **Glenn D.**
Perry, 1640 Harlock Rd., Melbourne, FL
(US) 32934; **Anthony Adam-Henry**
Wittfeldt, 1050 W. NASA Blvd., Suite
136, Melbourne, FL (US) 32901

(**) Term: **14 Years**

(21) Appl. No.: **29/375,296**

(22) Filed: **Sep. 20, 2010**

(51) **LOC (9) Cl.** **08-01**

(52) **U.S. Cl.** **D8/61**

(58) **Field of Classification Search** D8/61,
D8/62, 67, 69; 81/57, 57.11, 57.14, 57.26,
81/429, 464, 469; 173/2, 170, 176, 181
See application file for complete search history.

(56) **References Cited**

U.S. PATENT DOCUMENTS

D391,820 S *	3/1998	Bunyea	D8/61
D418,729 S *	1/2000	Snider	D8/61
D439,122 S *	3/2001	Adler et al.	D8/61
D467,146 S *	12/2002	Chunn et al.	D8/61
D470,374 S *	2/2003	Murray	D8/61

D487,690 S *	3/2004	Hu	D8/83
D515,392 S *	2/2006	Xingguo	D8/105
D535,170 S *	1/2007	Caplan	D8/82
D557,099 S *	12/2007	Lin	D8/82
D569,210 S *	5/2008	Chien	D8/87
D589,771 S *	4/2009	Lee	D8/61
D596,473 S *	7/2009	McKenzie	D8/85
D618,079 S *	6/2010	Blythe et al.	D8/61

* cited by examiner

Primary Examiner—Austin Murphy

(74) *Attorney, Agent, or Firm*—QuickPatents, Inc.; Kevin Prince

(57) **CLAIM**

What is claimed is the ornamental design for a motorized screwdriver, as shown and described.

DESCRIPTION

FIG. 1 is a perspective view of a motorized screwdriver, showing the new design;

FIG. 2 is a front elevational view thereof;

FIG. 3 is a rear elevational view thereof;

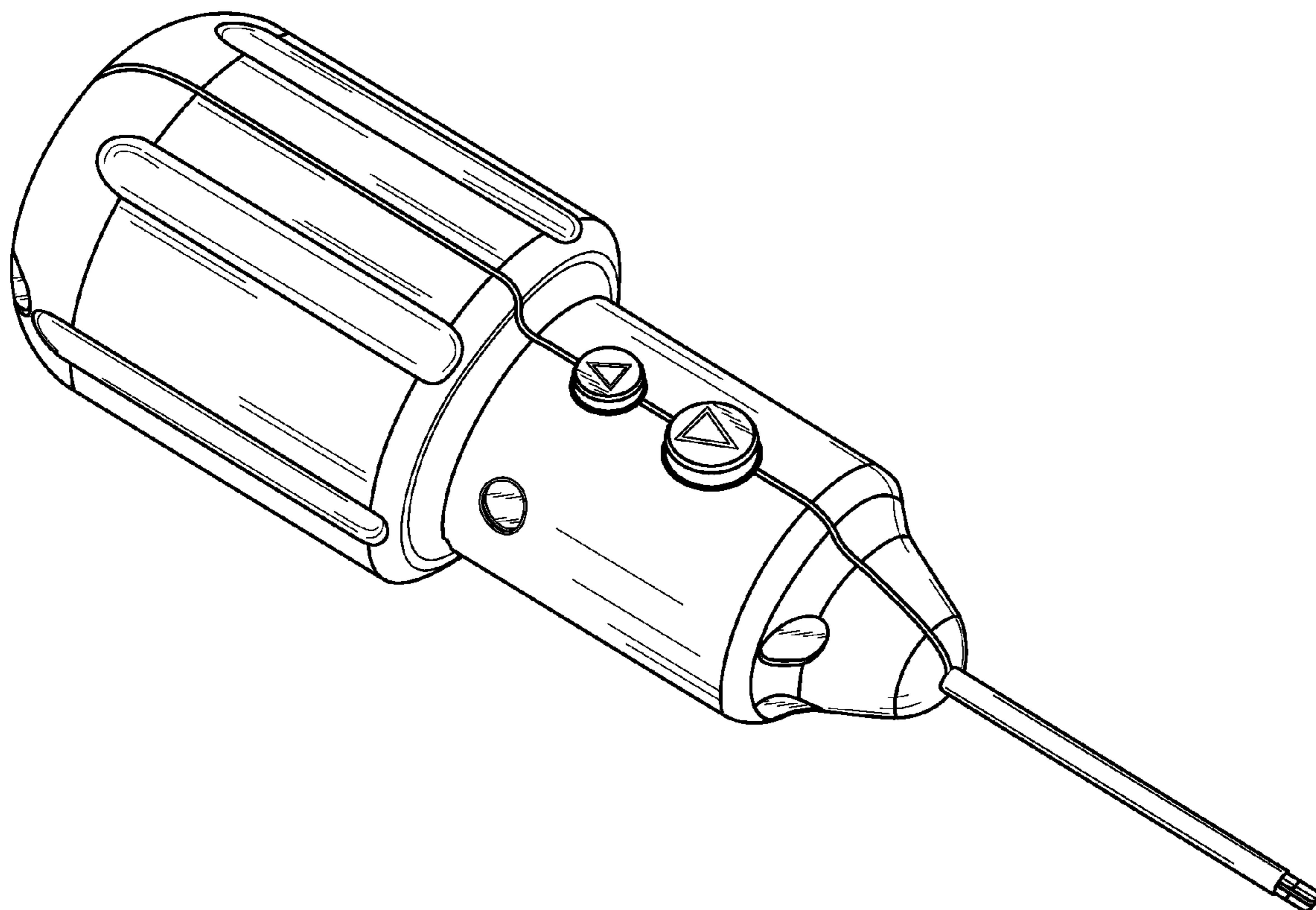
FIG. 4 is a left-side elevational view thereof;

FIG. 5 is a right-side elevational view thereof;

FIG. 6 is a top plan view thereof; and,

FIG. 7 is a bottom plan view thereof.

1 Claim, 3 Drawing Sheets



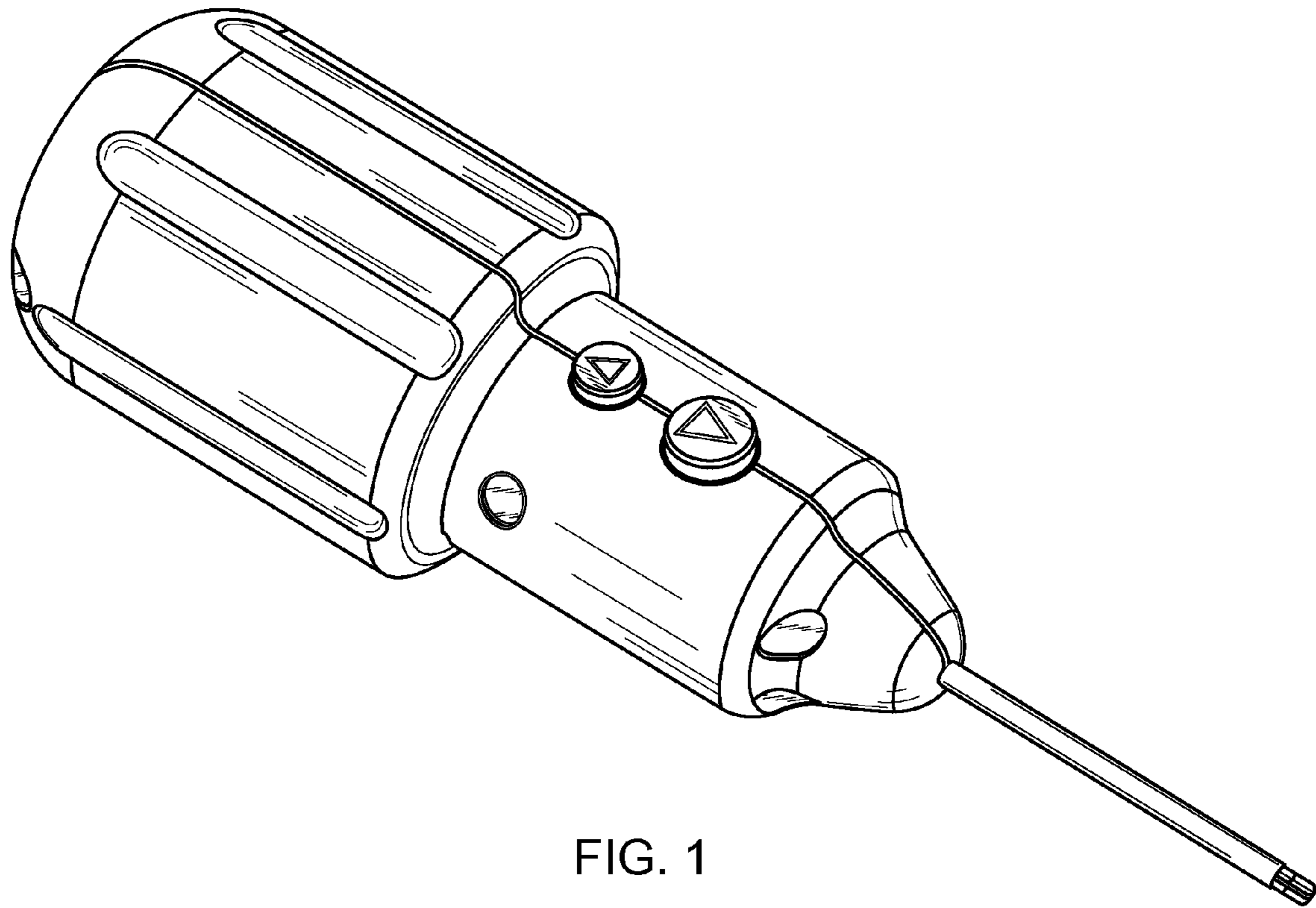


FIG. 1

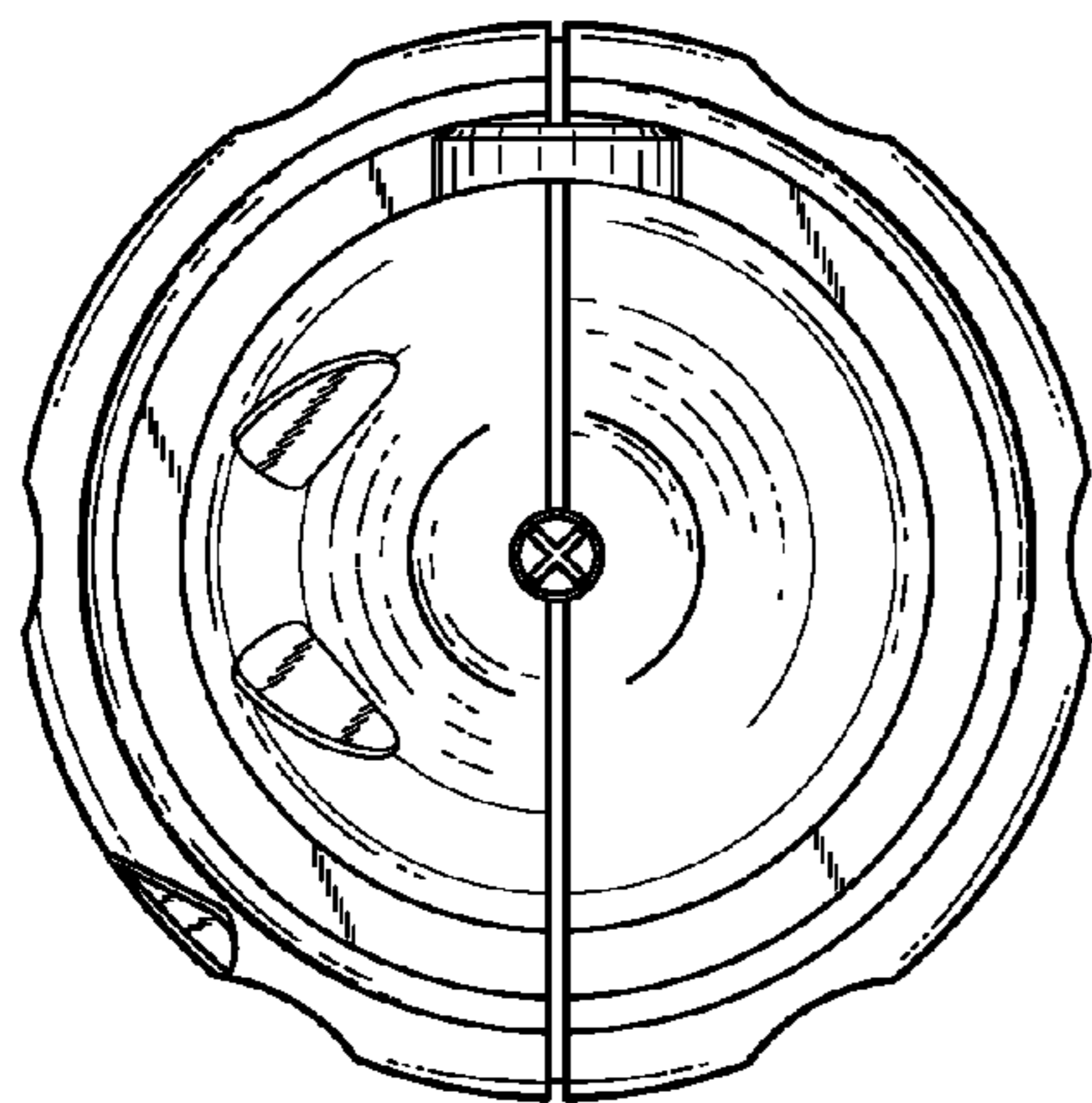


FIG. 2

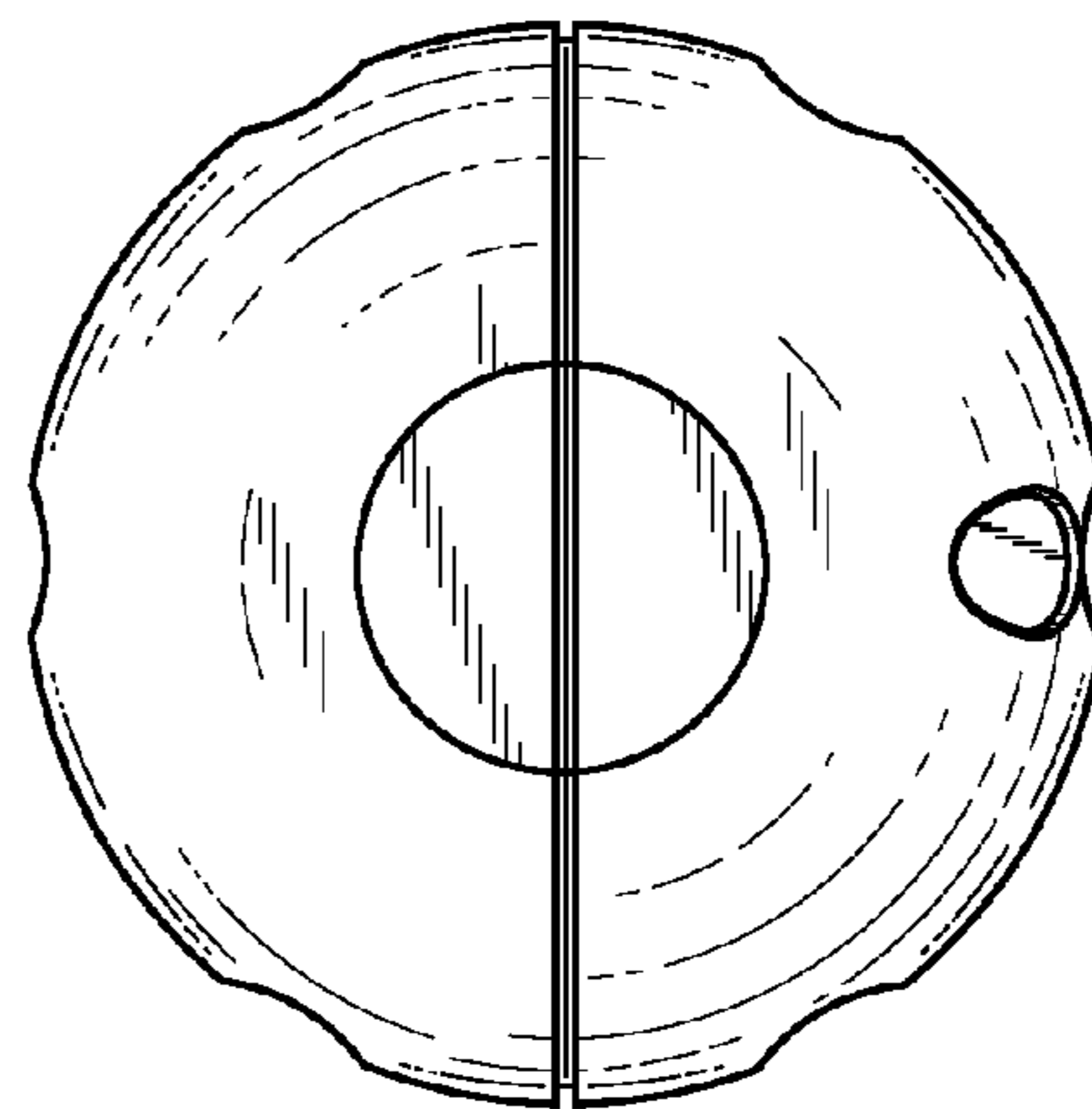


FIG. 3

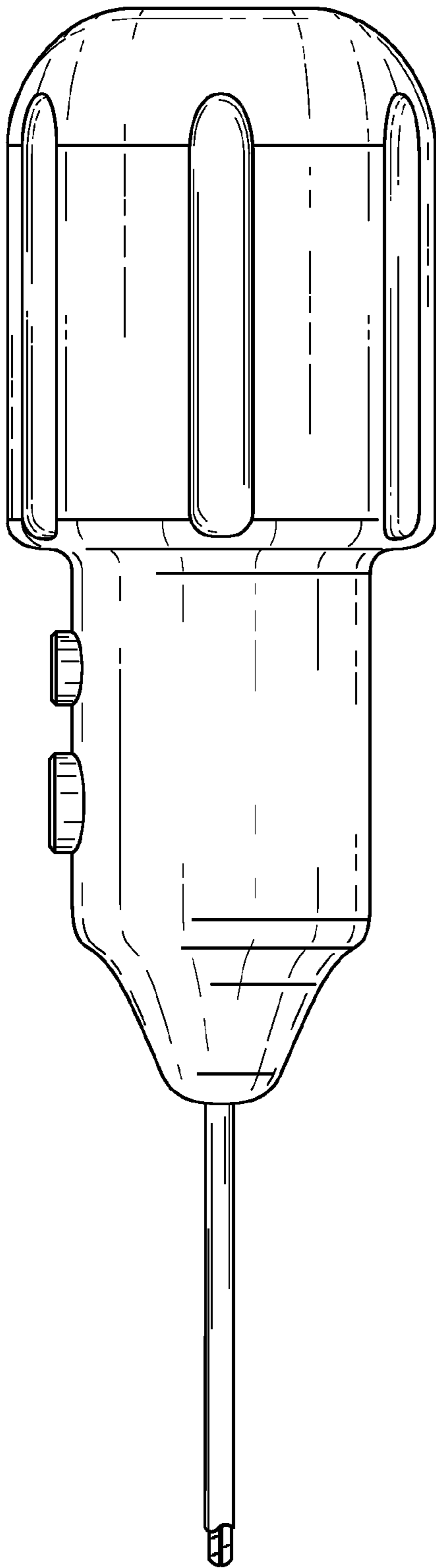


FIG. 4

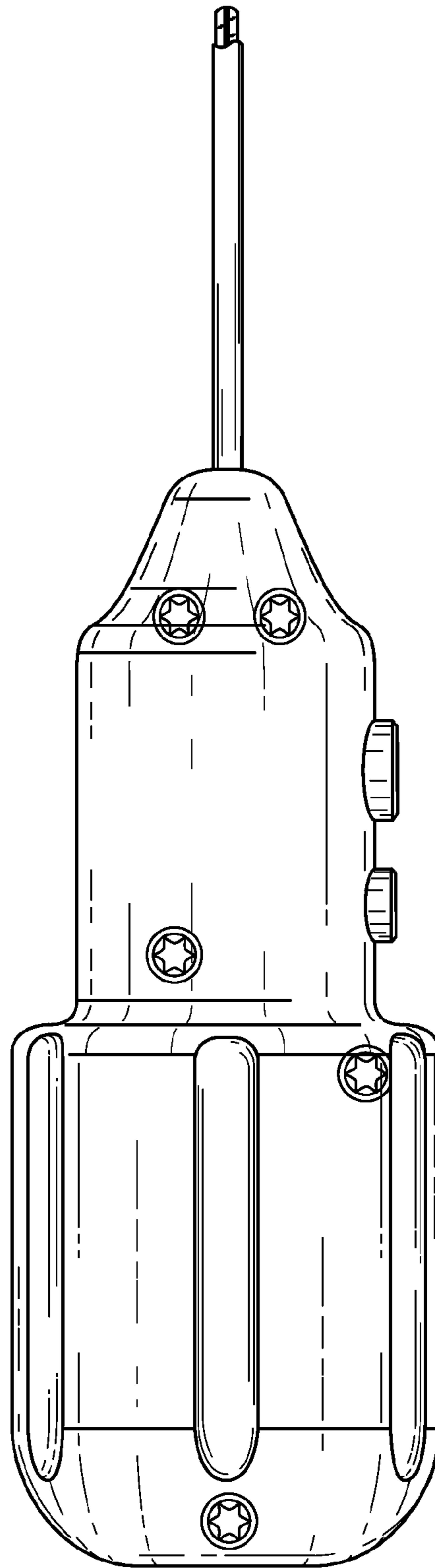


FIG. 5

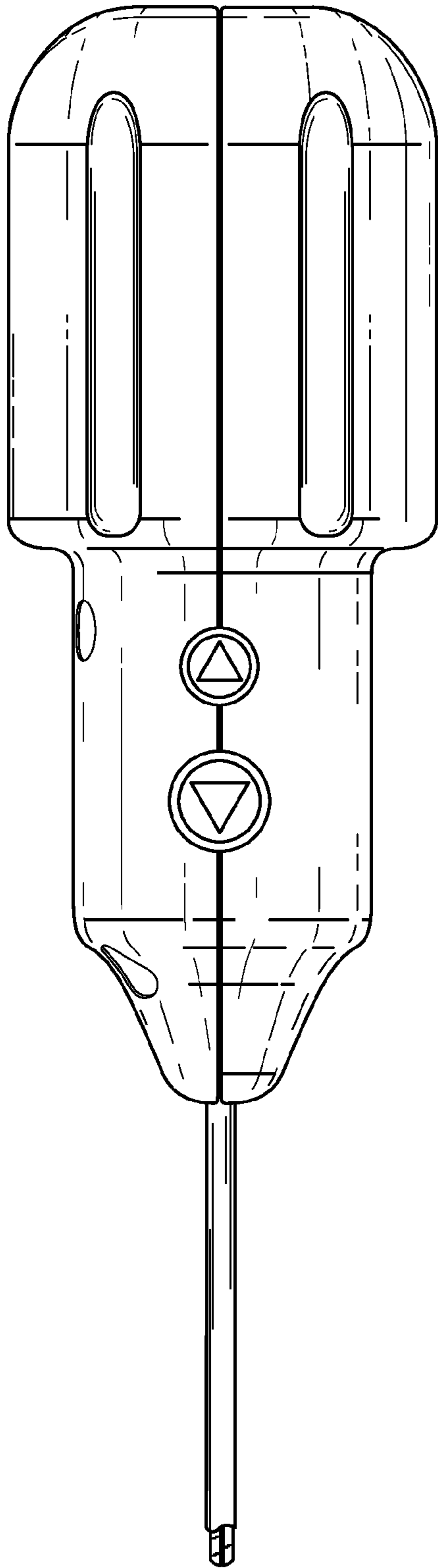


FIG. 6

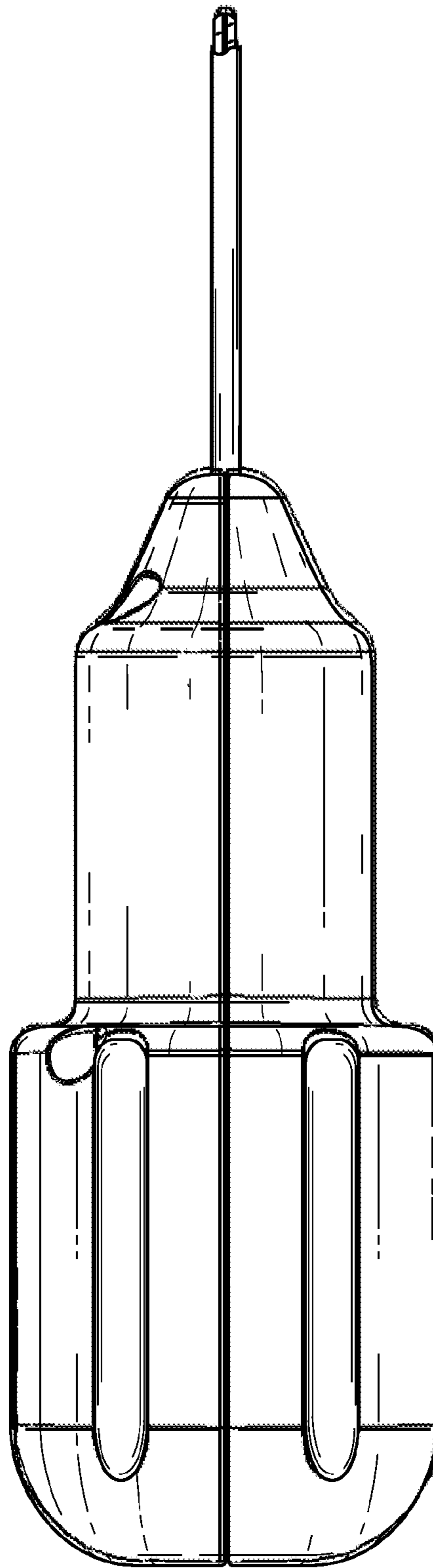


FIG. 7