



US00D632534S

(12) **United States Design Patent**
Cote

(10) **Patent No.:** **US D632,534 S**

(45) **Date of Patent:** **** Feb. 15, 2011**

(54) **HAND PUMPED COMPRESSED AIR
RATCHET WRENCH**

(76) **Inventor:** **Randall L. Cote**, 224 Crown St., Bristol,
CT (US) 06010

(**) **Term:** **14 Years**

(21) **Appl. No.:** **29/370,782**

(22) **Filed:** **Sep. 7, 2010**

(51) **LOC (9) Cl.** **08-05**

(52) **U.S. Cl.** **D8/25**

(58) **Field of Classification Search** D8/21-29,
D8/354, 107; 81/60, 177.1, 177.85, 121.1,
81/124.3, 165-170, 110.1, 176.2, 124.6,
81/176.1, 176.15, 177.2, 186; 16/110.1;
D15/144.1, 143; 219/75, 227, 229, 121.16,
219/121.18

See application file for complete search history.

(56) **References Cited**

U.S. PATENT DOCUMENTS

D303,205 S *	9/1989	Gierke et al.	D8/61
D304,543 S *	11/1989	Somers et al.	D8/61
D316,216 S *	4/1991	Gierke et al.	D8/61
D323,603 S *	2/1992	Fu	D8/61
D336,225 S *	6/1993	Lin	D8/25
D429,979 S *	8/2000	Chiang	D8/25

D431,164 S *	9/2000	Wimmer	D8/21
D433,610 S *	11/2000	Heinrichs et al.	D8/61
D433,904 S *	11/2000	Heinrichs et al.	D8/61
6,189,419 B1 *	2/2001	Pijanowski	81/57.39
D439,121 S *	3/2001	Hsu	D8/25
6,336,383 B1 *	1/2002	Hung	81/60
2009/0301265 A1 *	12/2009	Hu	81/62

* cited by examiner

Primary Examiner—Raphael Barkai

Assistant Examiner—Randall Gholson

(74) *Attorney, Agent, or Firm*—Richard L. Mikesell

(57) **CLAIM**

The ornamental design for a hand pumped compressed air ratchet wrench, as shown and described.

DESCRIPTION

FIG. 1: Top right perspective view;

FIG. 2: Left side elevation (the right side elevation is identical except the air port is not visible);

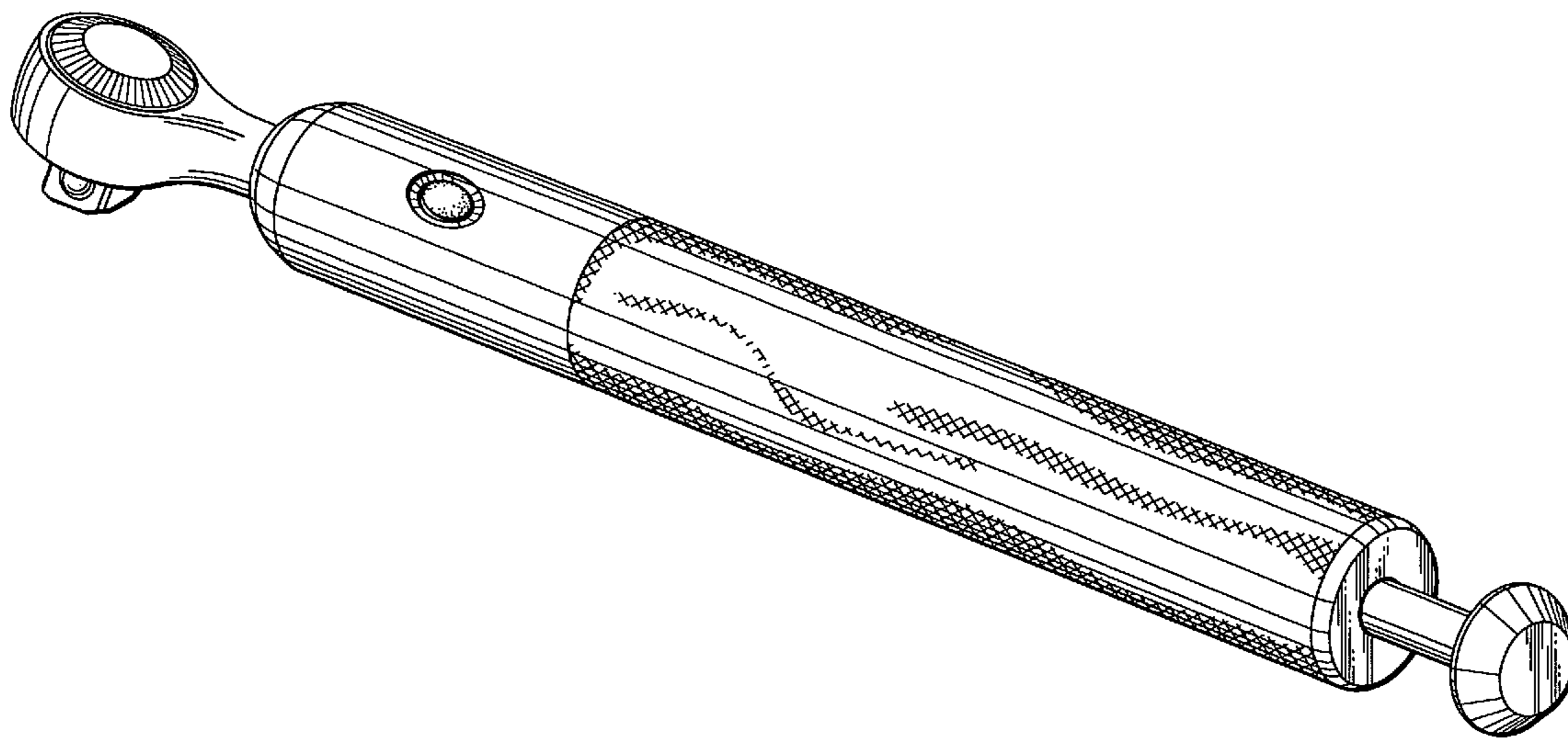
FIG. 3: Top plan view;

FIG. 4: Bottom plan view;

FIG. 5: Front End elevation; and,

FIG. 6: Rear end elevation.

1 Claim, 3 Drawing Sheets



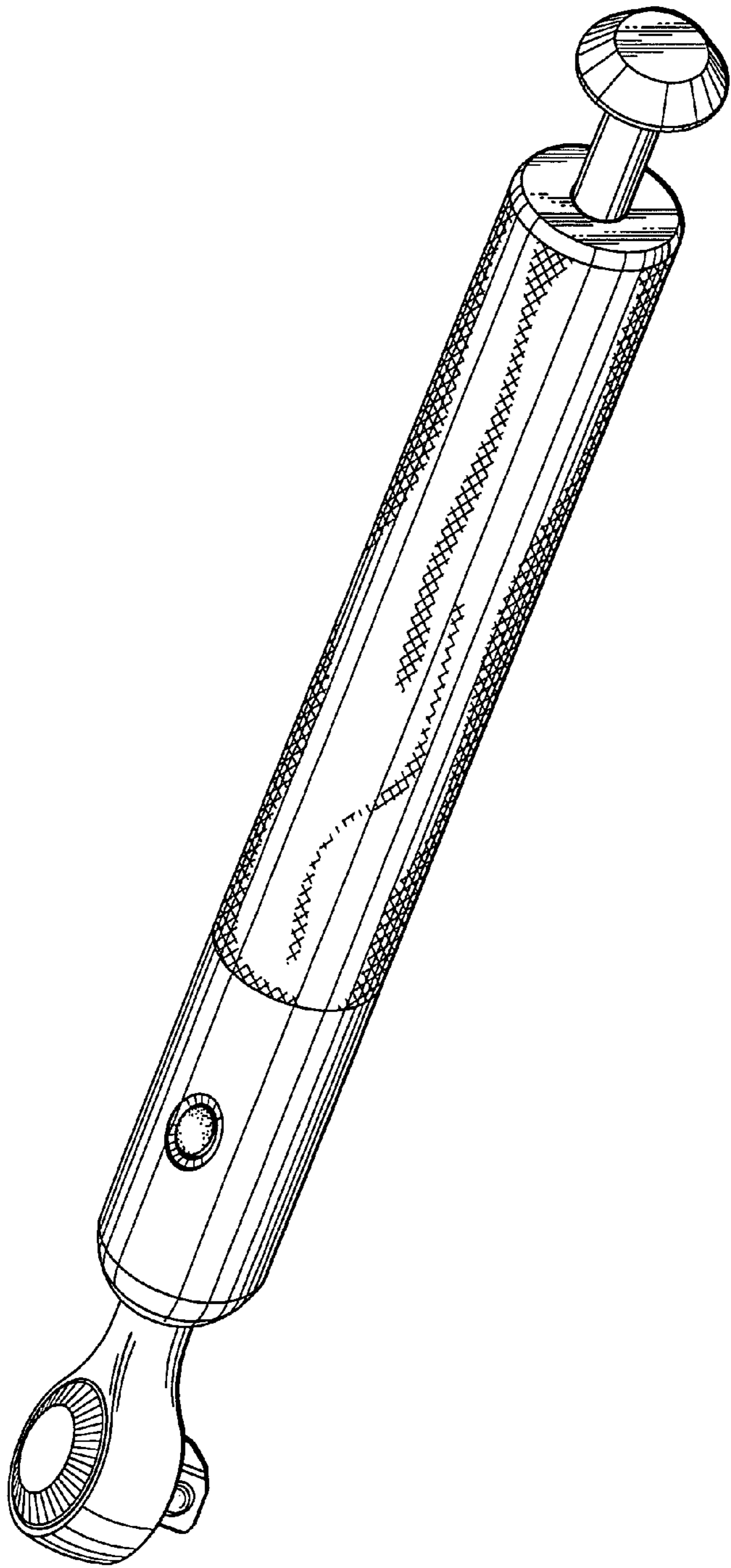


FIG. 1

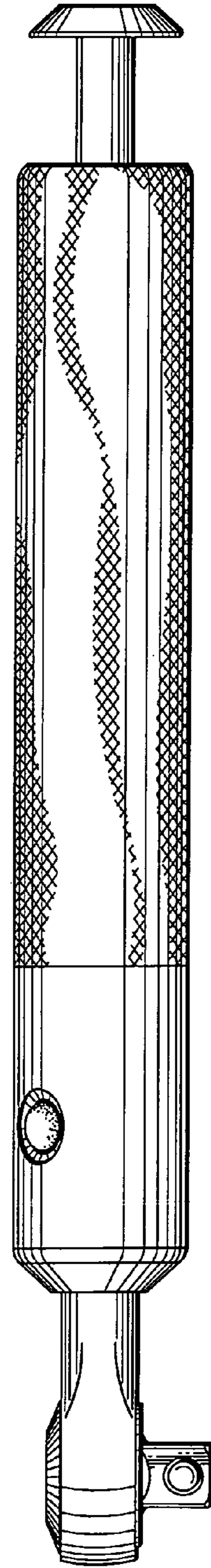


FIG. 2

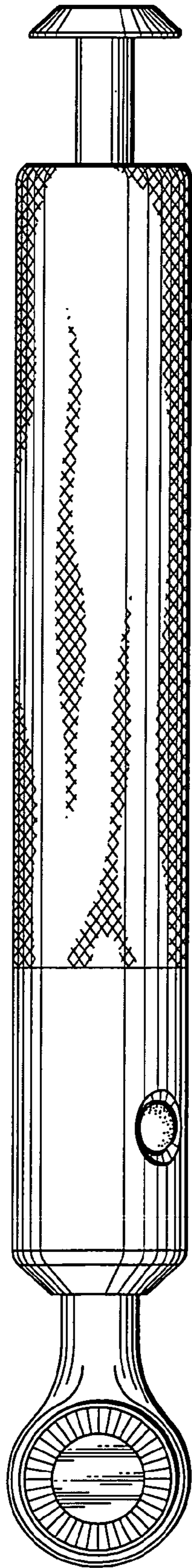


FIG. 3

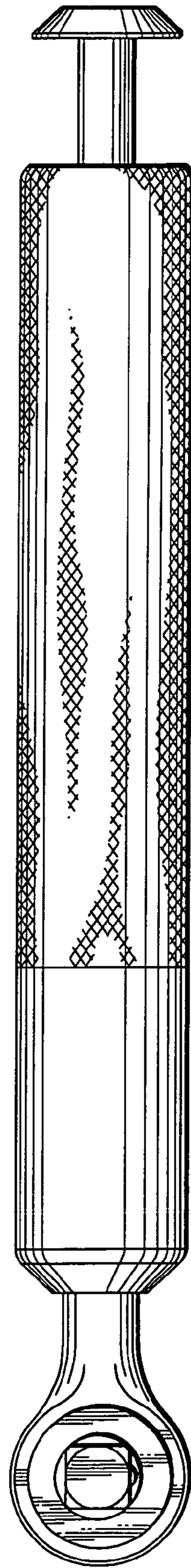


FIG. 4

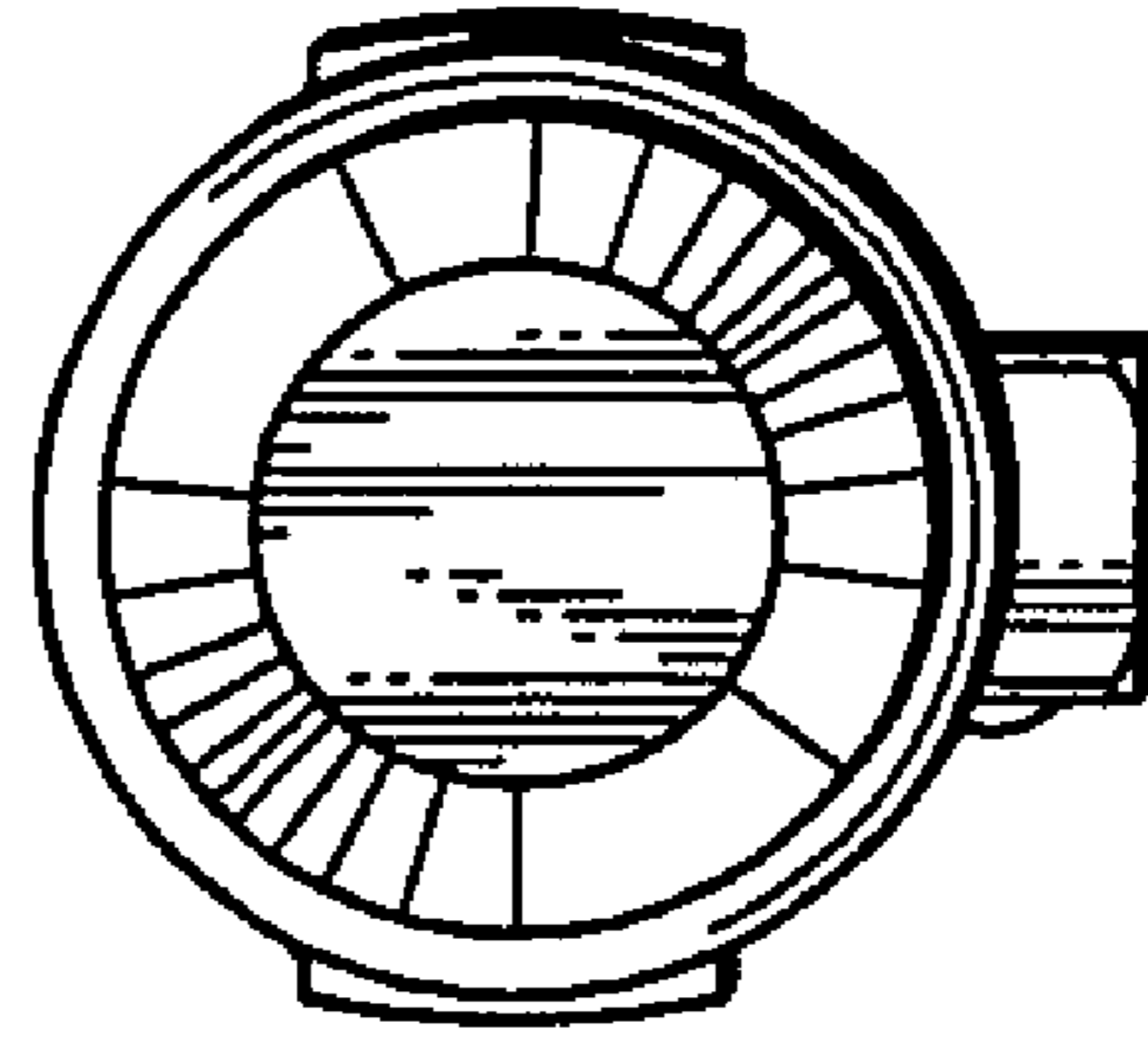


FIG. 8

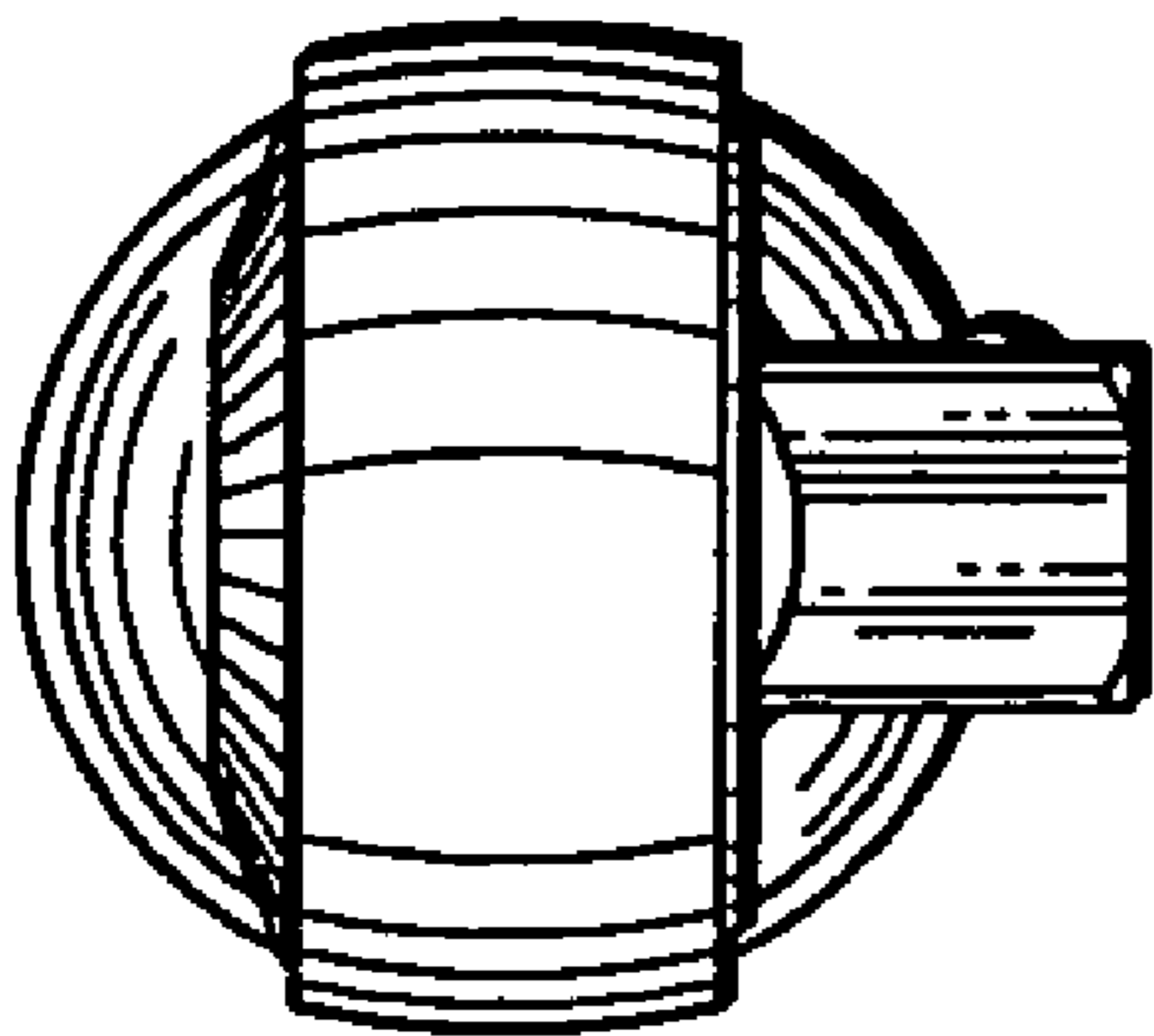


FIG. 9