



US00D632529S

(12) **United States Design Patent**
Chen

(10) **Patent No.:** **US D632,529 S**

(45) **Date of Patent:** **** Feb. 15, 2011**

(54) **SUPPORTING FRAME FOR SUPPORTING CUP-LIKE OBJECTS**

D538,608 S * 3/2007 Goodman et al. D7/704
2006/0186000 A1 * 8/2006 Gregory et al. 206/315.9

(76) Inventor: **Fang-Yin Chen**, 235 Chung-Ho Box
8-24, Taipei (TW)

* cited by examiner

Primary Examiner—Terry A Wallace

(**) Term: **14 Years**

(57) **CLAIM**

(21) Appl. No.: **29/360,040**

The ornamental design for a supporting frame for supporting cup-like objects, as shown and described.

(22) Filed: **Apr. 20, 2010**

(51) **LOC (9) Cl.** **07-06**

DESCRIPTION

(52) **U.S. Cl.** **D7/600.1; D7/704; D6/566**

(58) **Field of Classification Search** D7/600.1–600.4,
D7/701–708, 619.1–625; D6/408, 463, 515,
D6/462, 417, 535, 552, 556, 566; 211/59.2,
211/181.1, 74, 71.01, 14; 312/45; 47/39,
47/47, 41.14

FIG. 1 is a perspective view of a supporting frame for supporting cup-like objects showing my new design

FIG. 2 is a front elevational view thereof

FIG. 3 is a rear elevational view thereof.

FIG. 4 is a left side view thereof

FIG. 5 is a right side view thereof

FIG. 6 is a top plan view thereof

FIG. 7 is a bottom plan view thereof; and,

FIG. 8 is a perspective view showing the application of the present invention, where those indicated by dashed lines are not claimed.

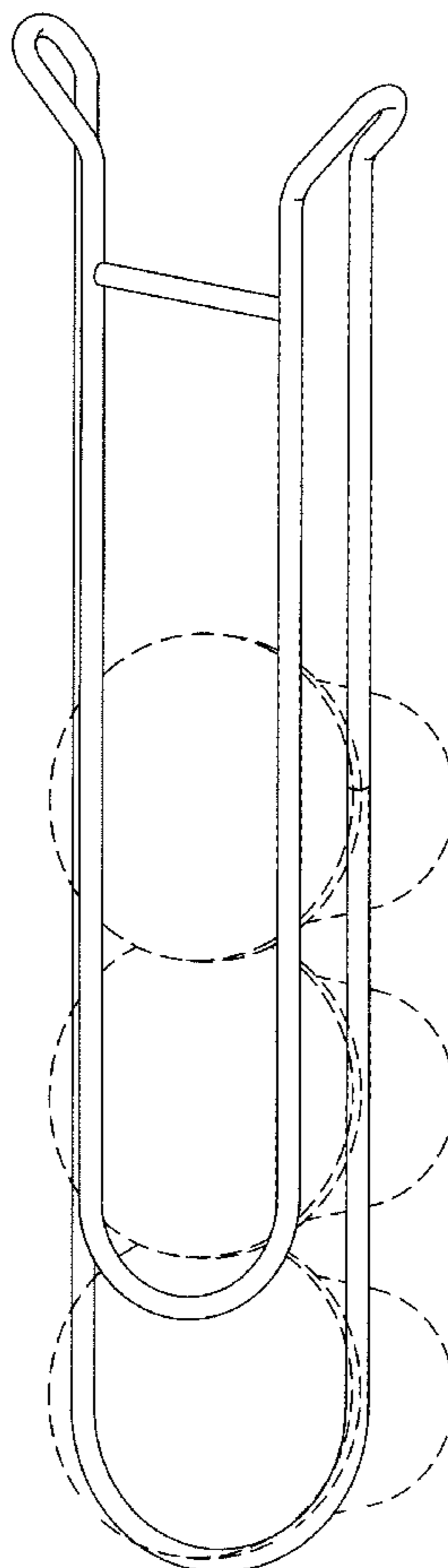
See application file for complete search history.

(56) **References Cited**

U.S. PATENT DOCUMENTS

- 2,119,700 A * 6/1938 Burgess 211/59.2
- 5,147,119 A * 9/1992 Harris 211/59.2
- D361,449 S * 8/1995 Rittenberg D6/462
- 6,340,091 B1 * 1/2002 Romeo et al. 211/59.2
- D497,750 S * 11/2004 Ruffell D6/515

1 Claim, 5 Drawing Sheets



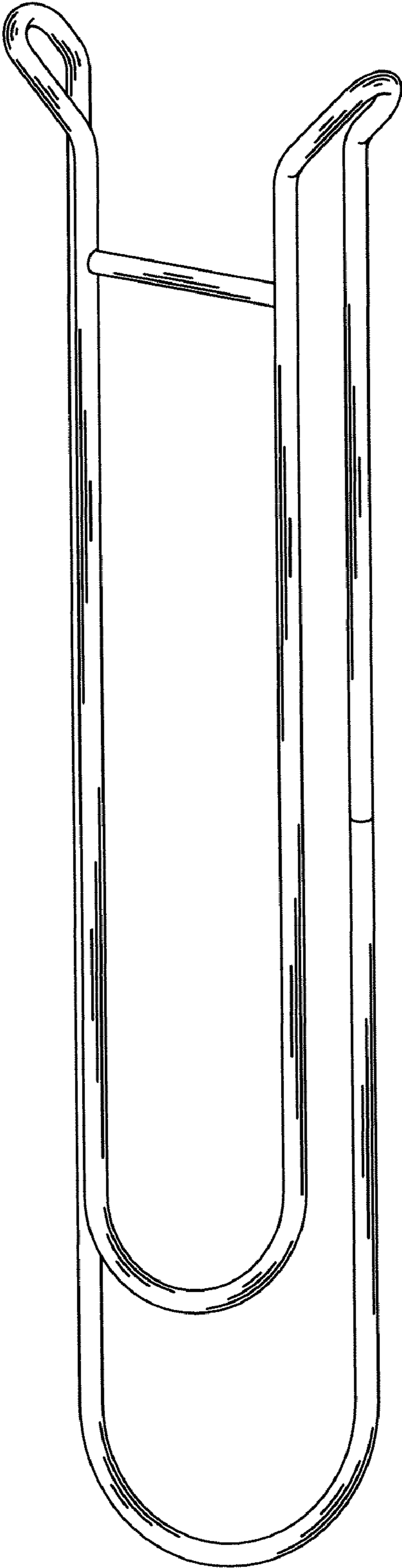


FIG. 1

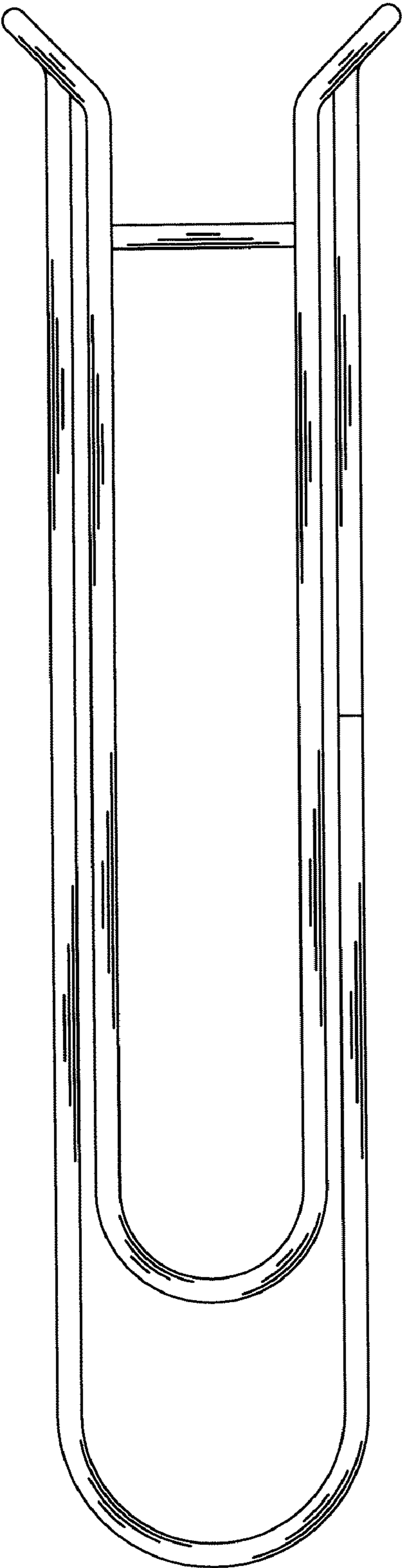


FIG. 2

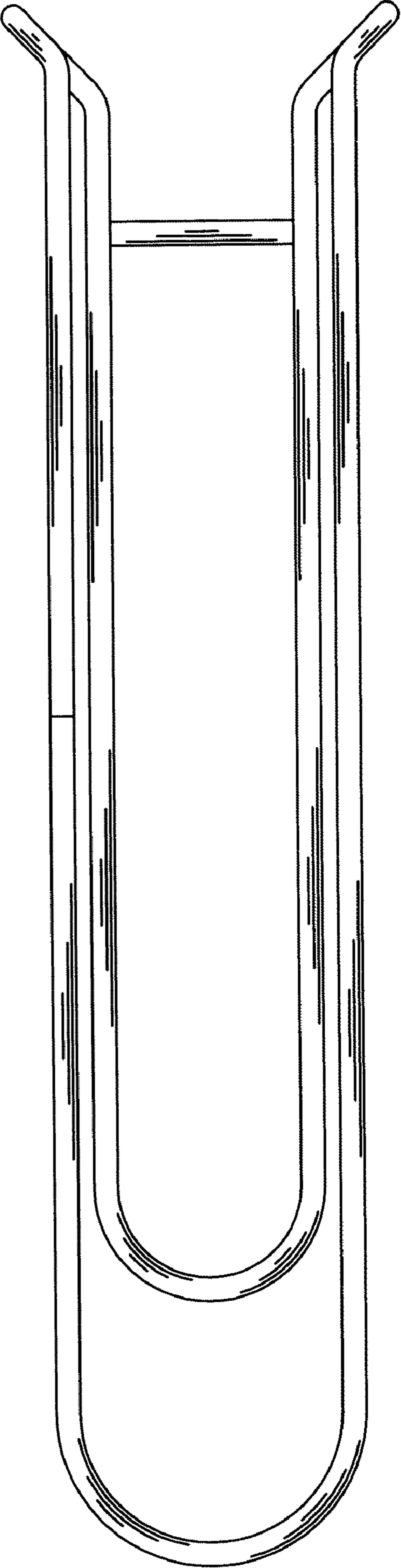


FIG. 3

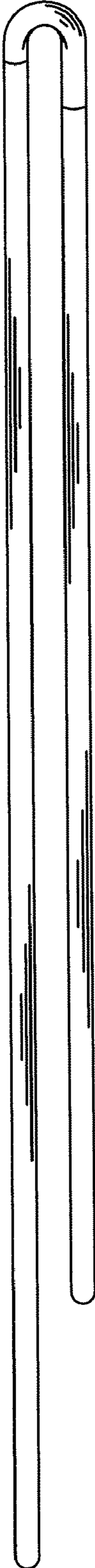


FIG. 4



FIG. 5

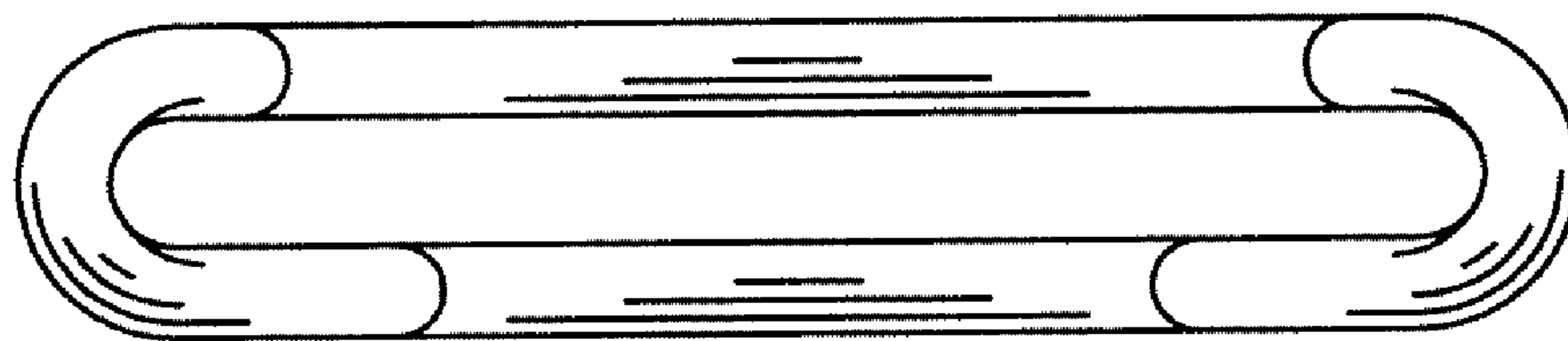


FIG. 6

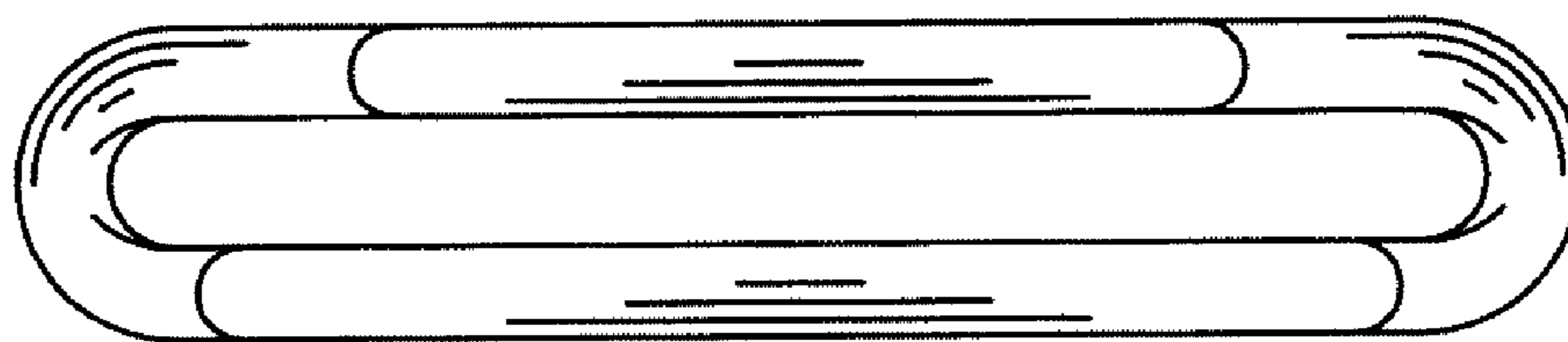


FIG. 7

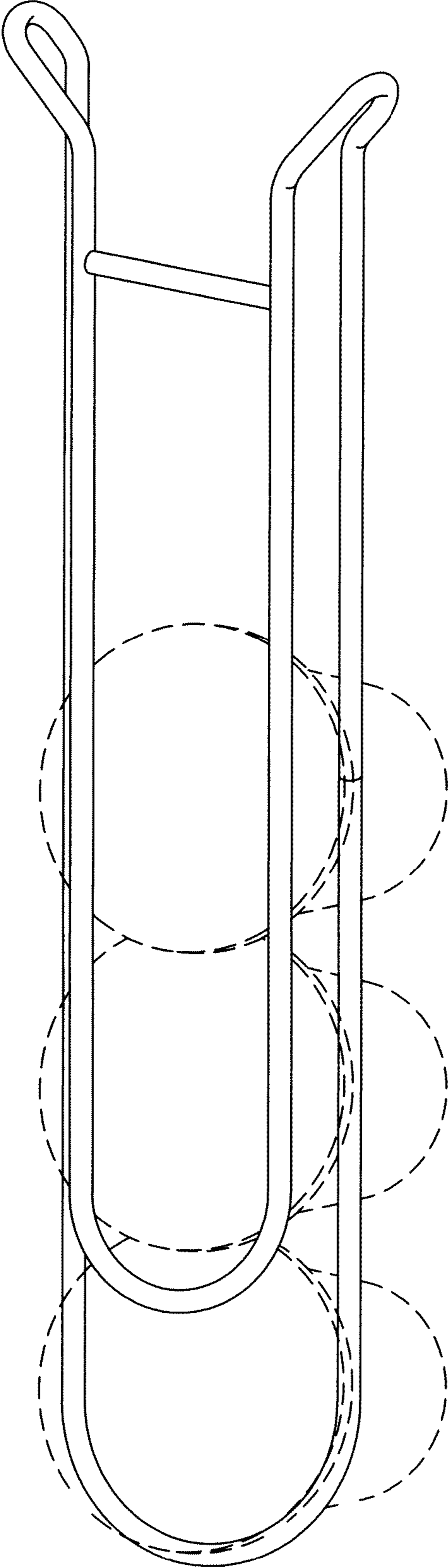


FIG. 8