



US00D632524S

(12) **United States Design Patent**
Rosbach et al.

(10) **Patent No.:** **US D632,524 S**

(45) **Date of Patent:** **** Feb. 15, 2011**

(54) **FLASK**

(76) Inventors: **Travis R. Rosbach**, 20566 Conifer Ave.,
Bend, OR (US) 97702; **Cindy M. Morse**, 20566 Conifer Ave., Bend, OR
(US) 97702

(**) Term: **14 Years**

(21) Appl. No.: **29/355,163**

(22) Filed: **Feb. 3, 2010**

(51) **LOC (9) Cl.** **07-01**

(52) **U.S. Cl.** **D7/511; D7/510**

(58) **Field of Classification Search** D7/507,
D7/511, 510, 505, 55, 608, 509, 624.1; D9/503,
D9/443, 716, 719, 516, 500, 549, 502, 504,
D9/509, 529; D11/147; 220/787, 592.16,
220/592.17, 592.24, 737, 718, 739, 715,
220/288; 215/12.1; 219/387, 429; 229/403,
229/738, 739; 206/459.1

See application file for complete search history.

(56) **References Cited**

U.S. PATENT DOCUMENTS

D403,426 S * 12/1998 Fiaschetti D24/197
D422,503 S * 4/2000 Lehn D9/503
D519,380 S * 4/2006 Leoncavallo et al. D9/530

D528,921 S * 9/2006 Leoncavallo et al. D9/530
D604,561 S * 11/2009 Chisholm D7/510
D614,918 S * 5/2010 Chisholm D7/510
D615,360 S * 5/2010 Joy et al. D7/510
D616,743 S * 6/2010 Cresswell et al. D9/443
D619,417 S * 7/2010 Goto et al. D7/510
D620,798 S * 8/2010 Cresswell et al. D9/443
D624,362 S * 9/2010 Wahl D7/510
2004/0217139 A1 * 11/2004 Roth et al. 224/148.7

* cited by examiner

Primary Examiner—Cynthia Underwood

(74) *Attorney, Agent, or Firm*—Crowell Ing, LLP; Nye Wang;
Carl D. Crowell

(57) **CLAIM**

The ornamental design for a flask, as shown and described.

DESCRIPTION

FIG. 1 is a front view of the present design;

FIG. 2 is a side thereof;

FIG. 3 is a top perspective view thereof;

FIG. 4 is a top plan view thereof; and,

FIG. 5 is a bottom plan view thereof.

The broken lines in FIG. 5 represent a portion of the structure that forms no part of the claim.

1 Claim, 2 Drawing Sheets

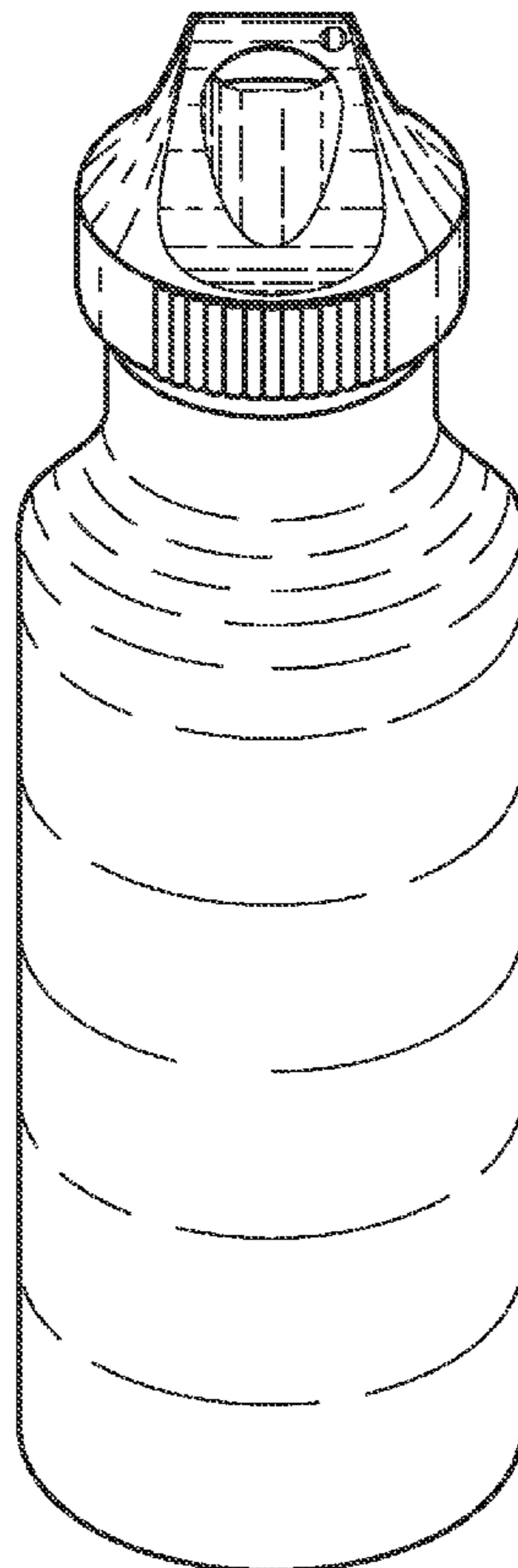


Fig. 1

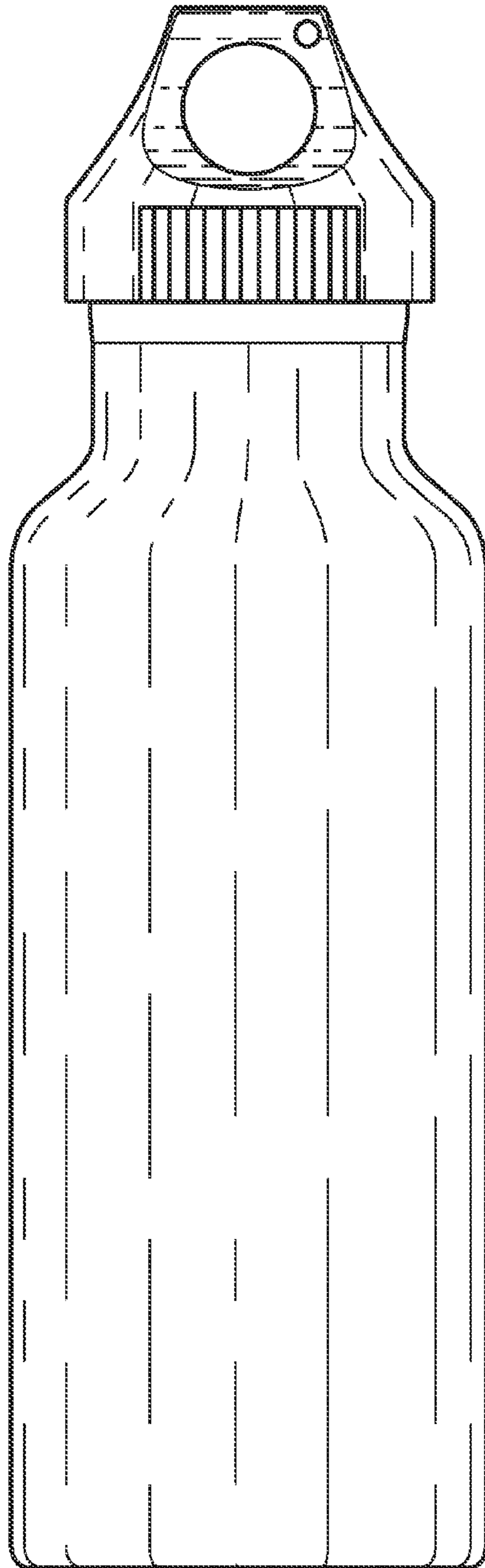


Fig. 2

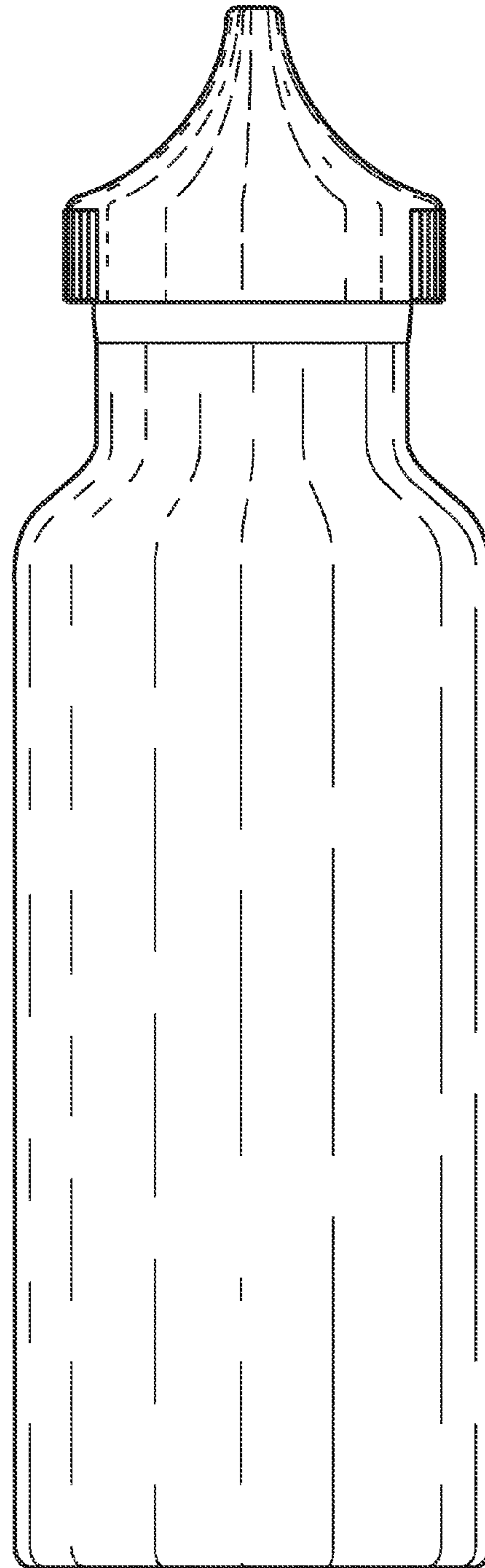


Fig. 3

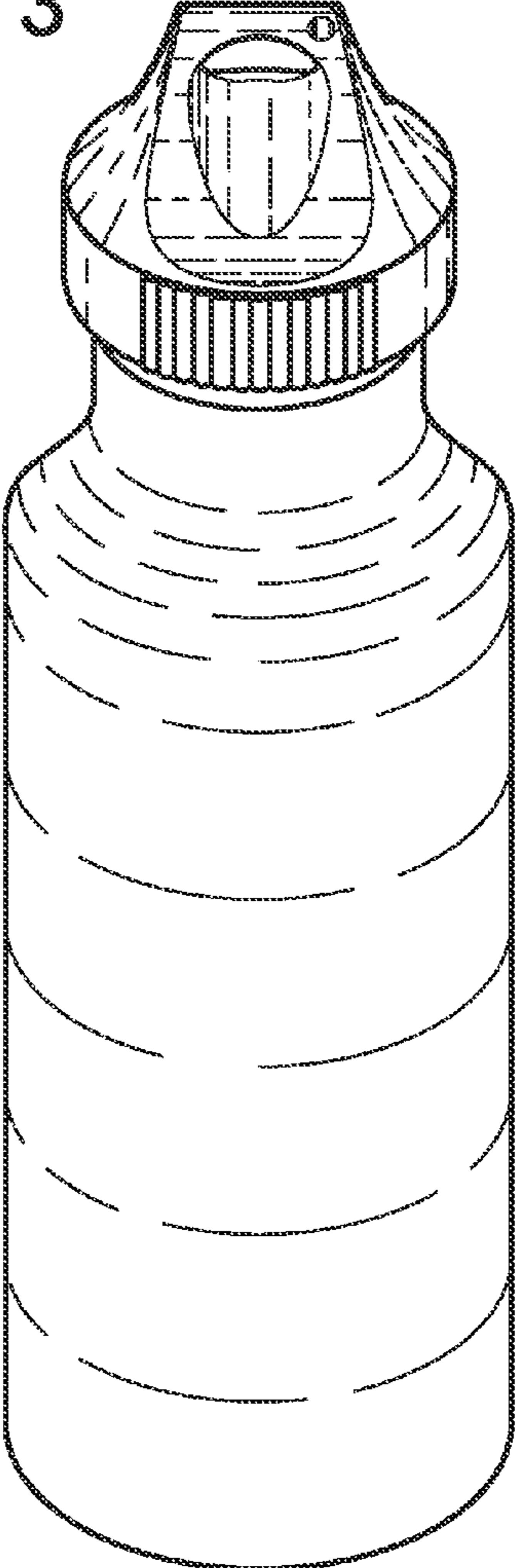


Fig. 4

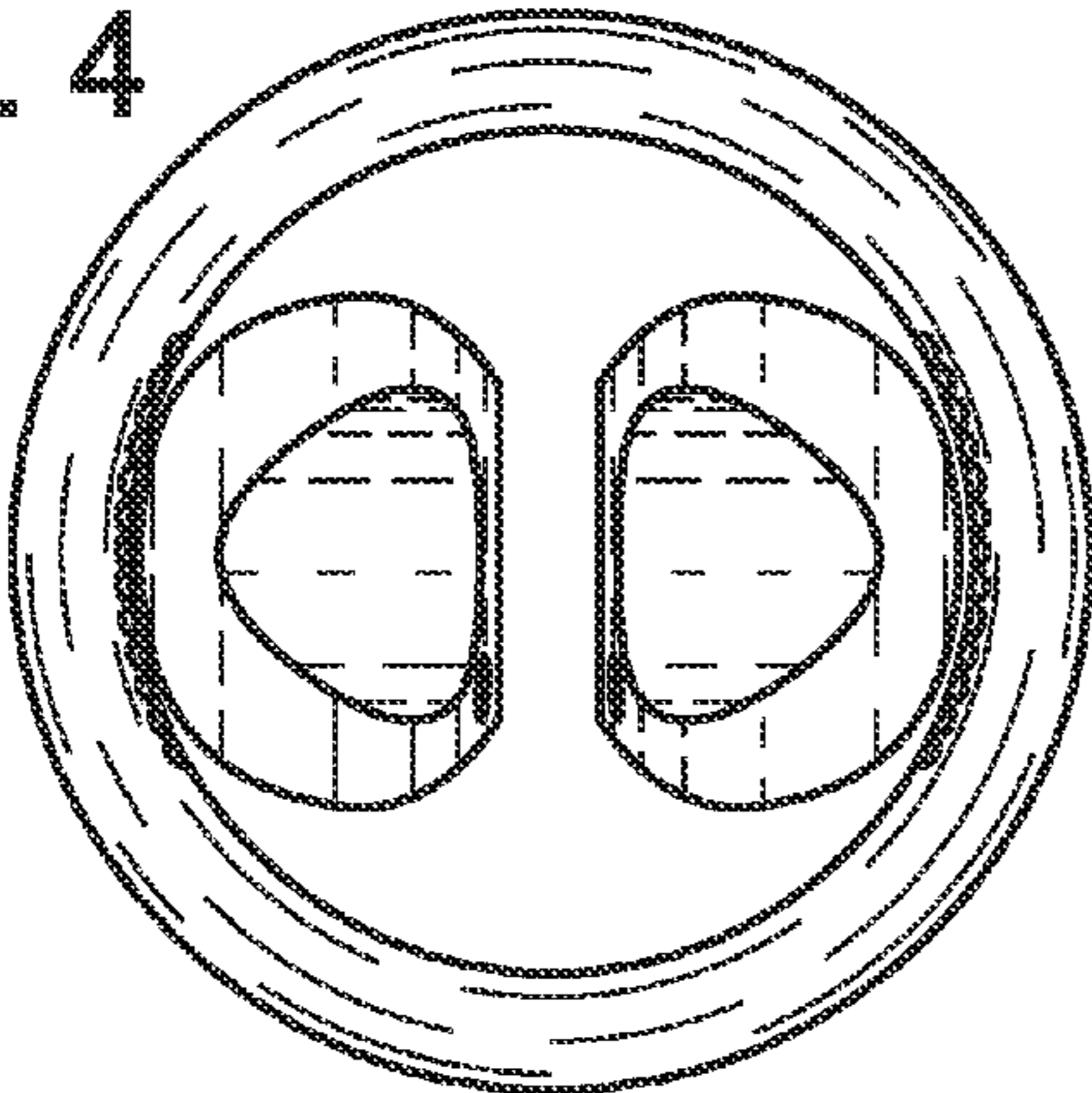


Fig. 5

