



US00D632519S

(12) **United States Design Patent**  
**Zimmermann**

(10) **Patent No.:** **US D632,519 S**

(45) **Date of Patent:** **\*\* Feb. 15, 2011**

(54) **COFFEE MACHINE**

(75) Inventor: **Dirk Hagen Zimmermann**, Düsseldorf (DE)

(73) Assignee: **WIK Far East Ltd.**, North Point, Hong Kong (CN)

(\*\*) Term: **14 Years**

(21) Appl. No.: **29/359,126**

(22) Filed: **Apr. 6, 2010**

(30) **Foreign Application Priority Data**

Apr. 7, 2009 (DE) ..... 40 2009 004 817

(51) **LOC (9) Cl.** ..... **07-01**

(52) **U.S. Cl.** ..... **D7/301; D7/311; D7/309**

(58) **Field of Classification Search** ..... **D7/306-311, D7/300, 301; 99/295, 279**

See application file for complete search history.

(56) **References Cited**

**U.S. PATENT DOCUMENTS**

D228,328 S \* 9/1973 Schlay ..... D7/507  
4,644,856 A 2/1987 Borgmann

(Continued)

**OTHER PUBLICATIONS**

U.S. Appl. No. 29/358,732, filed Mar. 31, 2010; First Named Inventor: Dirk Hagen Zimmermann.

*Primary Examiner*—Marianne Pandozzi

(74) *Attorney, Agent, or Firm*—Margaret Polson; Oppedahl Patent Law Firm LLC

(57) **CLAIM**

The ornamental design for a coffee machine, as shown and described.

**DESCRIPTION**

FIG. 1 is a front perspective view of my new design for a coffee machine.

FIG. 2 is a front elevation view

FIG. 3 is a back elevation view of FIG. 1.

FIG. 4 is a right side elevation view of FIG. 1.

FIG. 5 is a left side elevation view of FIG. 1.

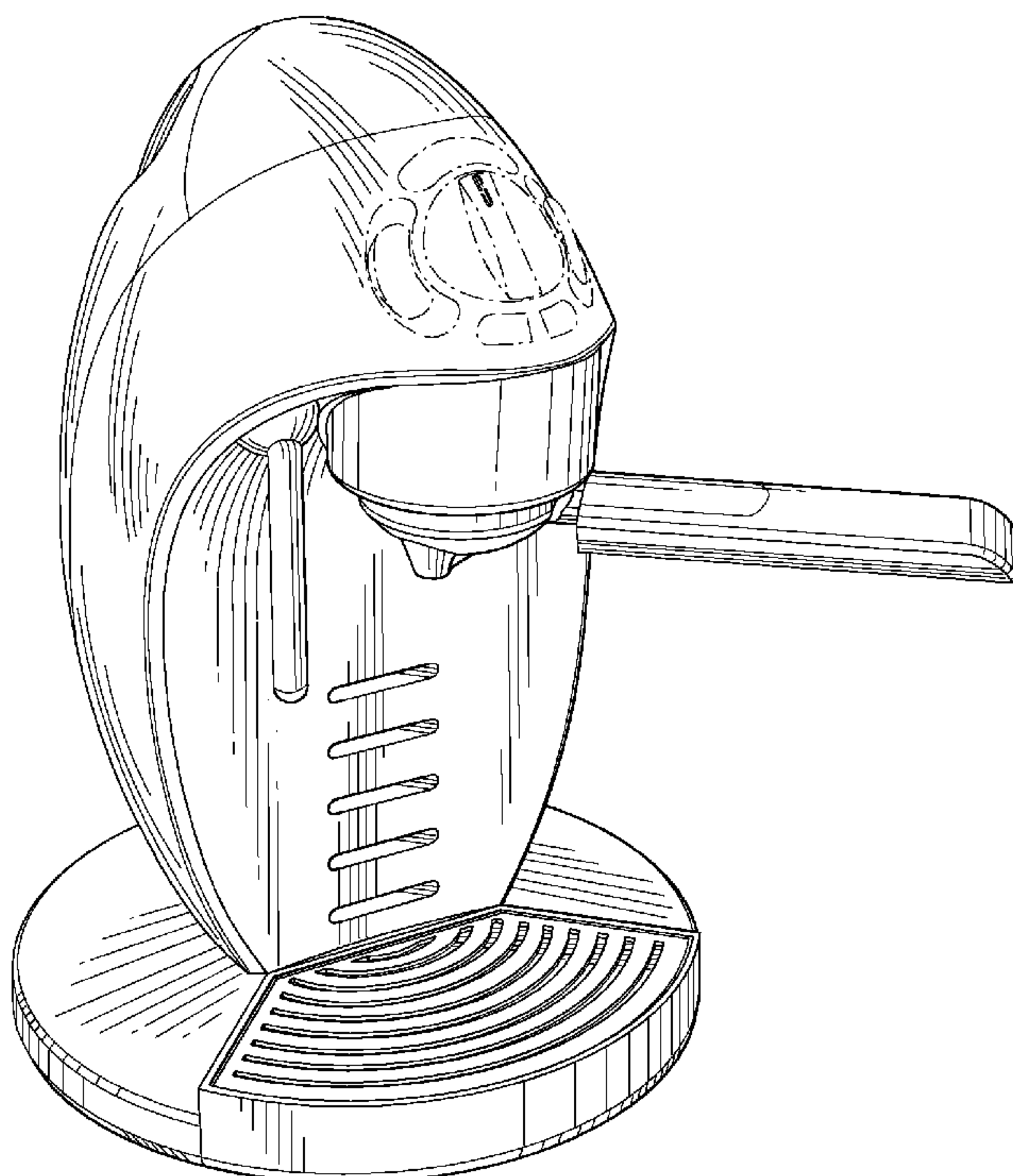
FIG. 6 is a top plan view of FIG. 1; and,

FIG. 7 is a bottom plan view of FIG. 1.

FIG. 8 is a front perspective view of a second embodiment of FIG. 1, the only difference being the tray is movable and can be mounted in any of the slots show, with tray being shown mounted in the middle slot in this view, it being understood that all other surfaces are the same as those of the first embodiment; and,

FIG. 9 is a front perspective view of FIG. 8, with tray being mounted in the next slot up, it being understood that all other surfaces are the same as those of the first embodiment.

**1 Claim, 6 Drawing Sheets**



# US D632,519 S

Page 2

---

## U.S. PATENT DOCUMENTS

D354,642 S *	1/1995	Stoddard et al. ....	D6/450	D546,110 S *	7/2007	Stein .....	D7/301
D355,562 S	2/1995	DeFelip		D548,507 S *	8/2007	Jacquet et al. ....	D7/309
D360,555 S	7/1995	Gil De Miguel		D552,915 S	10/2007	Yeh	
D385,455 S	10/1997	Cortese		D575,079 S *	8/2008	Hirsh .....	D6/434
D390,060 S	2/1998	Seiffert		D589,765 S *	4/2009	Zuloff .....	D7/515
D449,198 S	10/2001	Cahen		D593,789 S *	6/2009	Herbst et al. ....	D7/301
D496,553 S	9/2004	Bodum		D595,991 S	7/2009	Zimmerman	
D522,303 S *	6/2006	Estes .....	D7/301	D604,086 S *	11/2009	Lipinski et al. ....	D7/301
D528,845 S	9/2006	Zimmermann		D611,287 S *	3/2010	Lochen .....	D7/301
D535,513 S	1/2007	Zimmermann		D619,408 S *	7/2010	Hughes et al. ....	D7/301
				D623,463 S *	9/2010	Struzka et al. ....	D7/309

\* cited by examiner

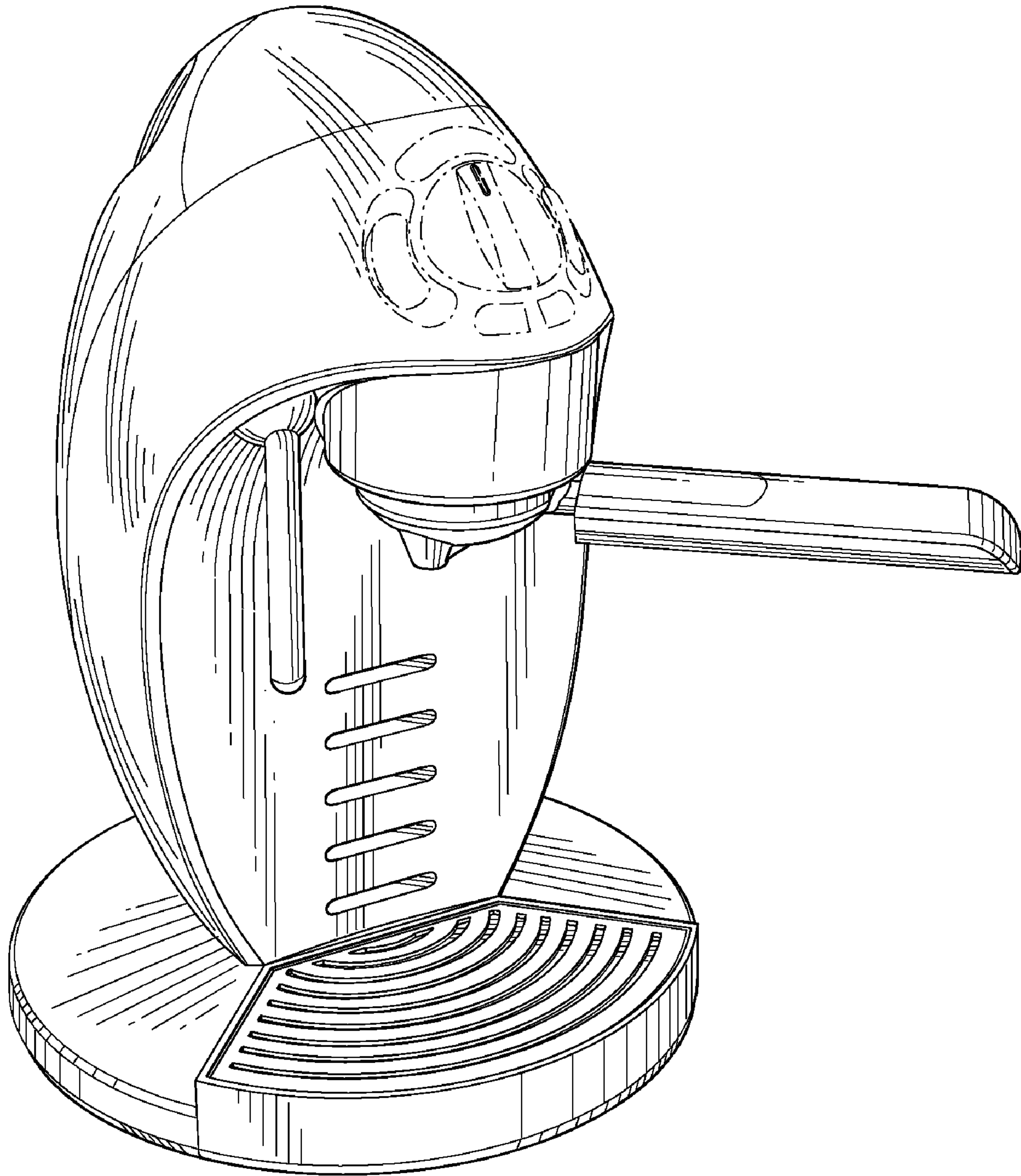


FIG.1

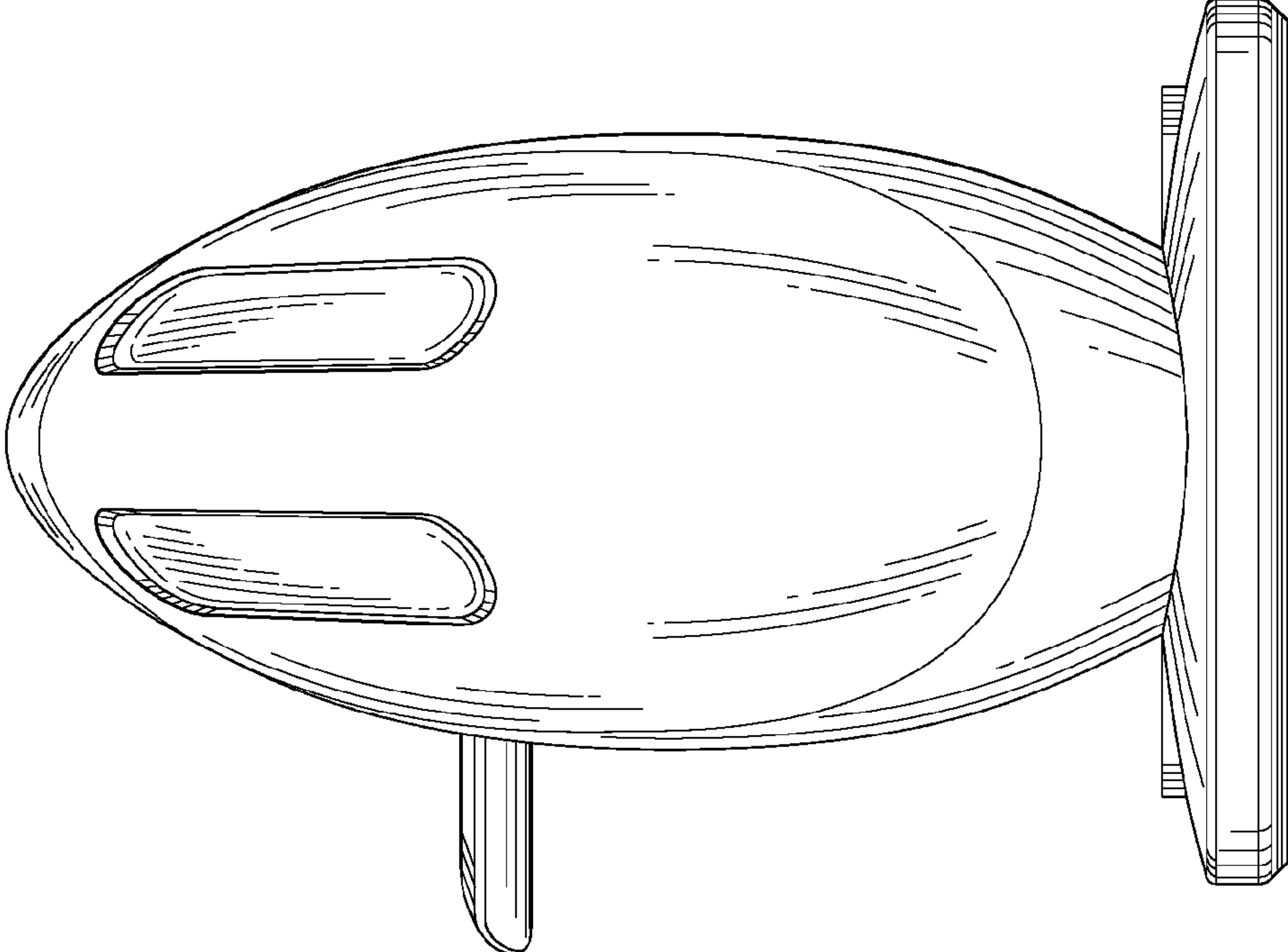


FIG.3

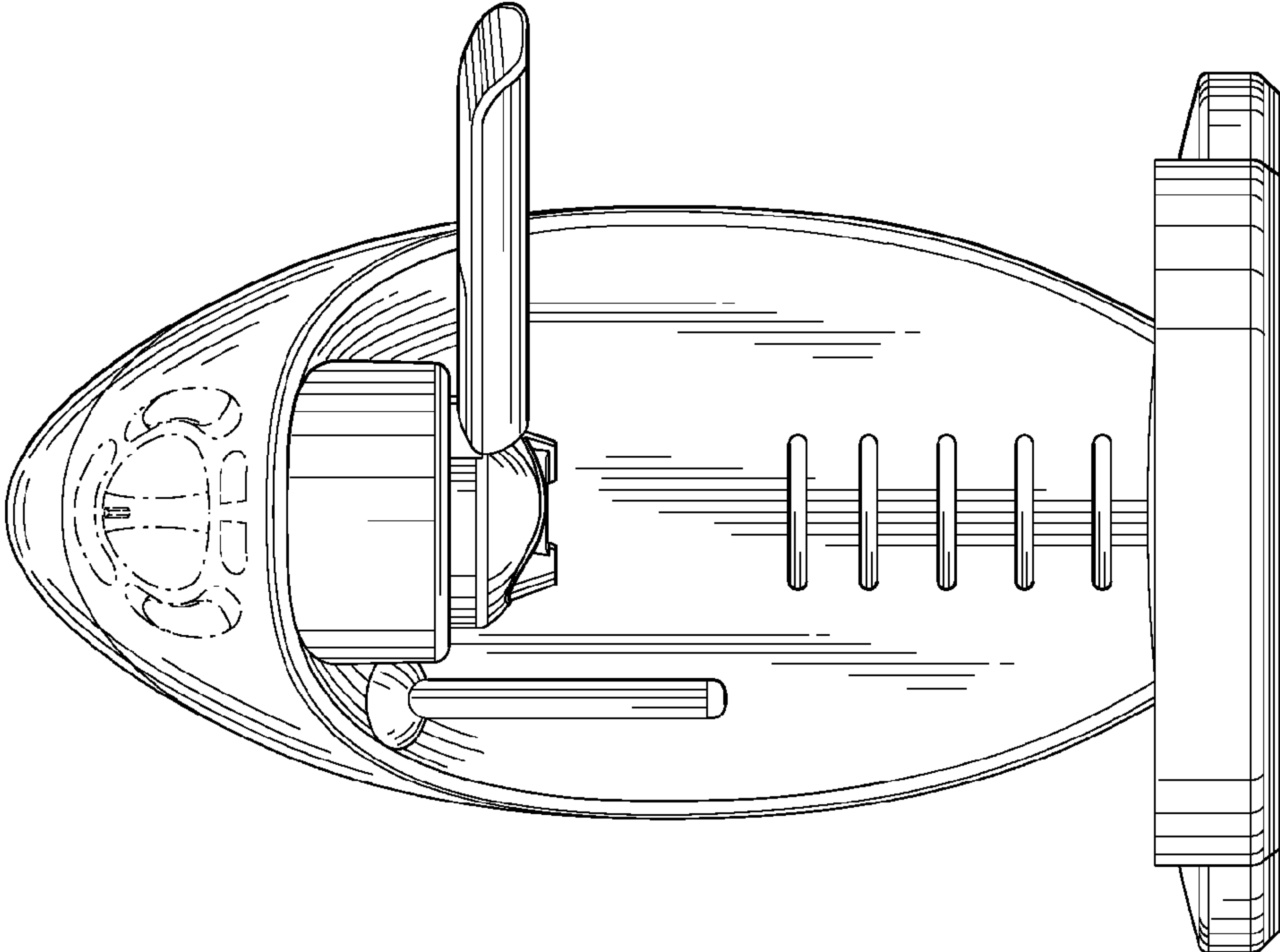


FIG.2



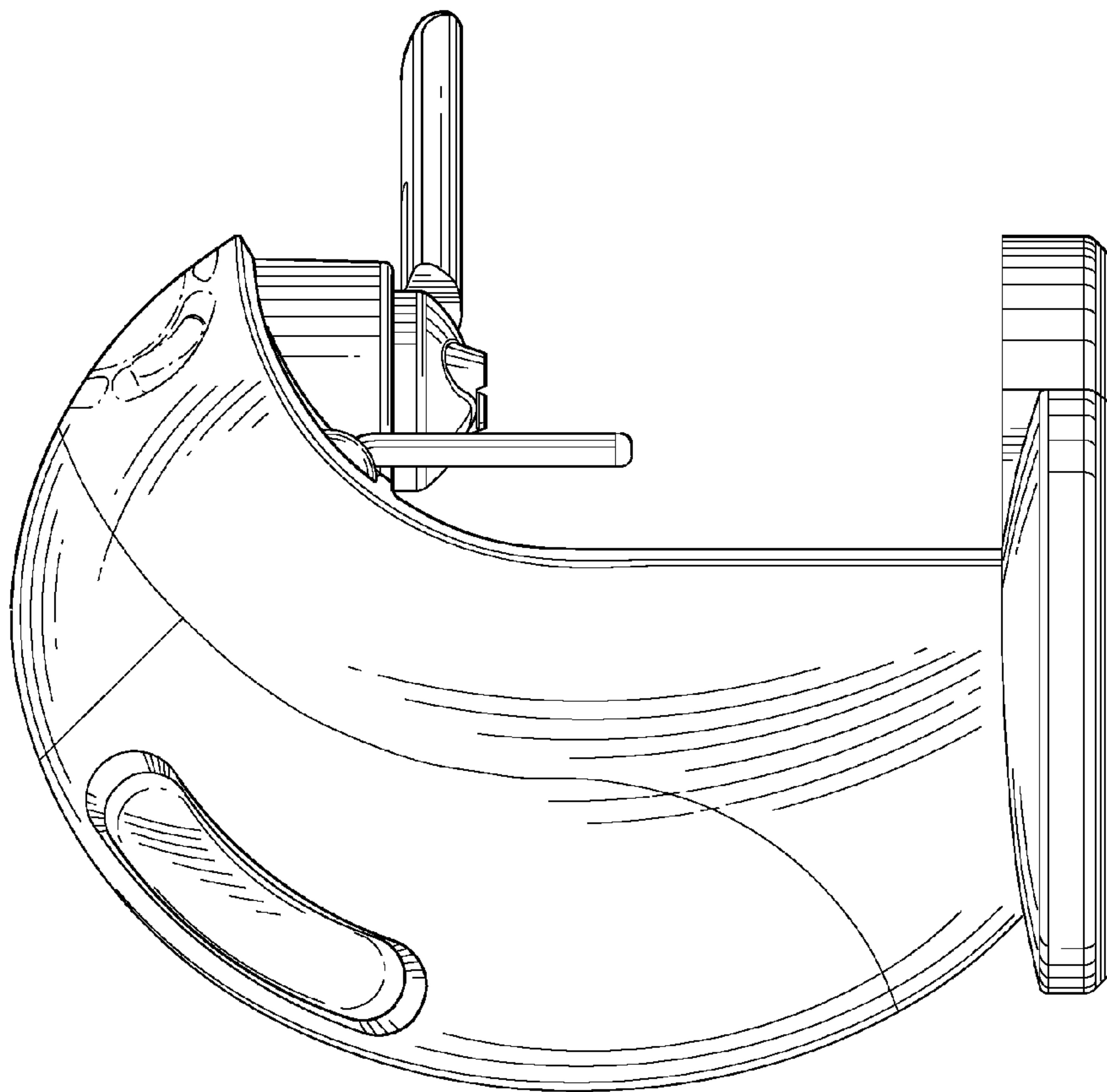


FIG.5

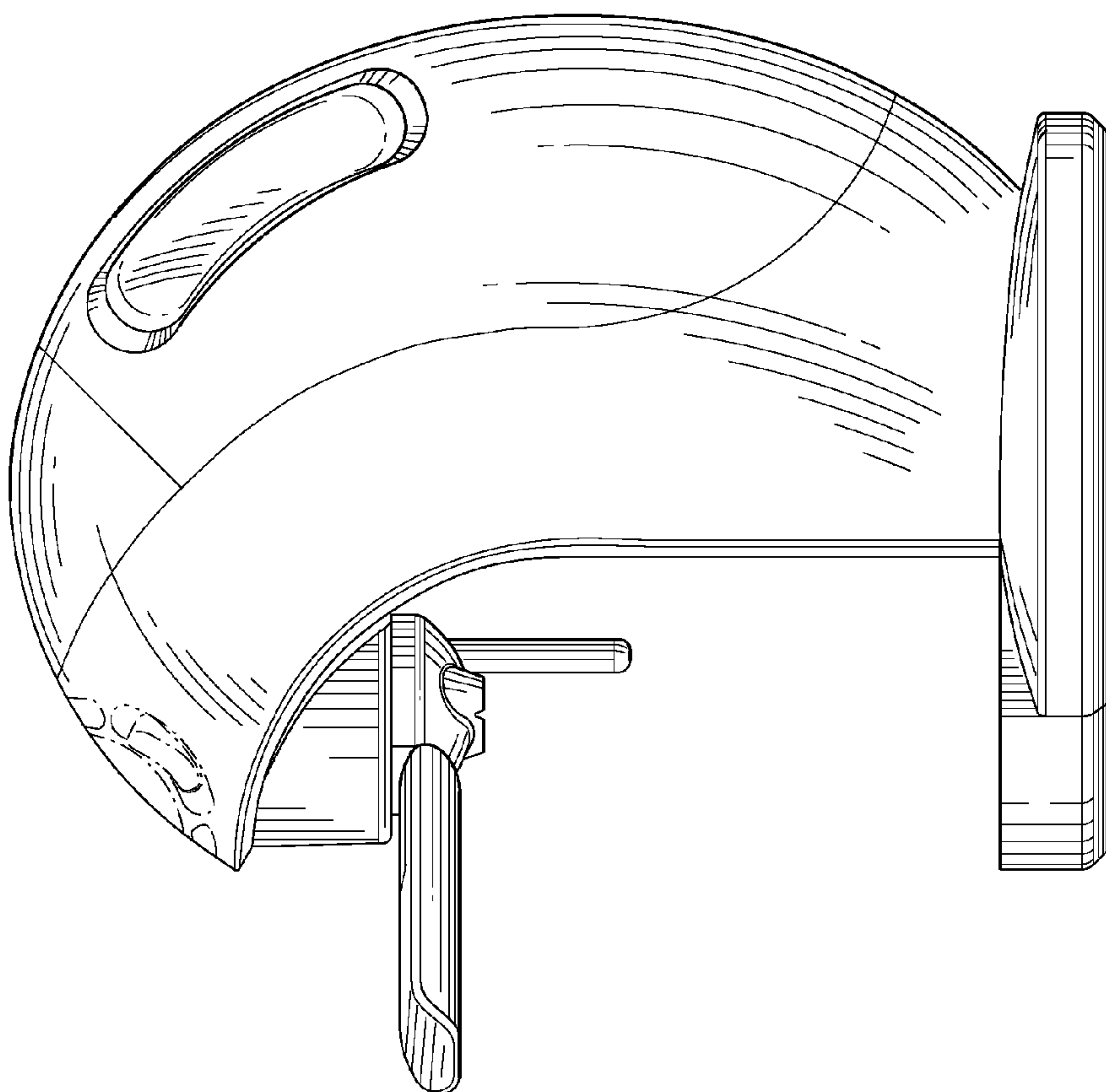


FIG.4

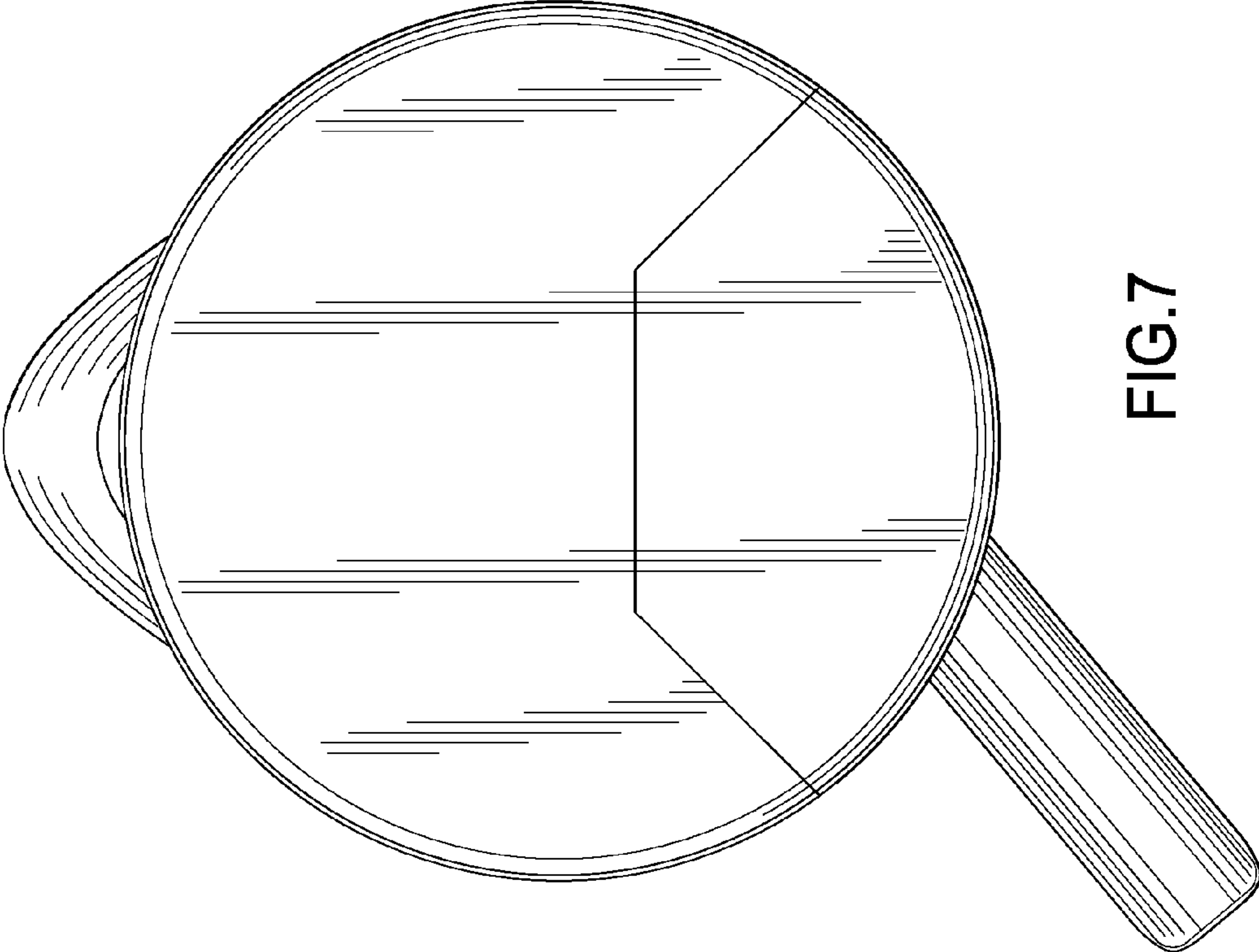


FIG. 7

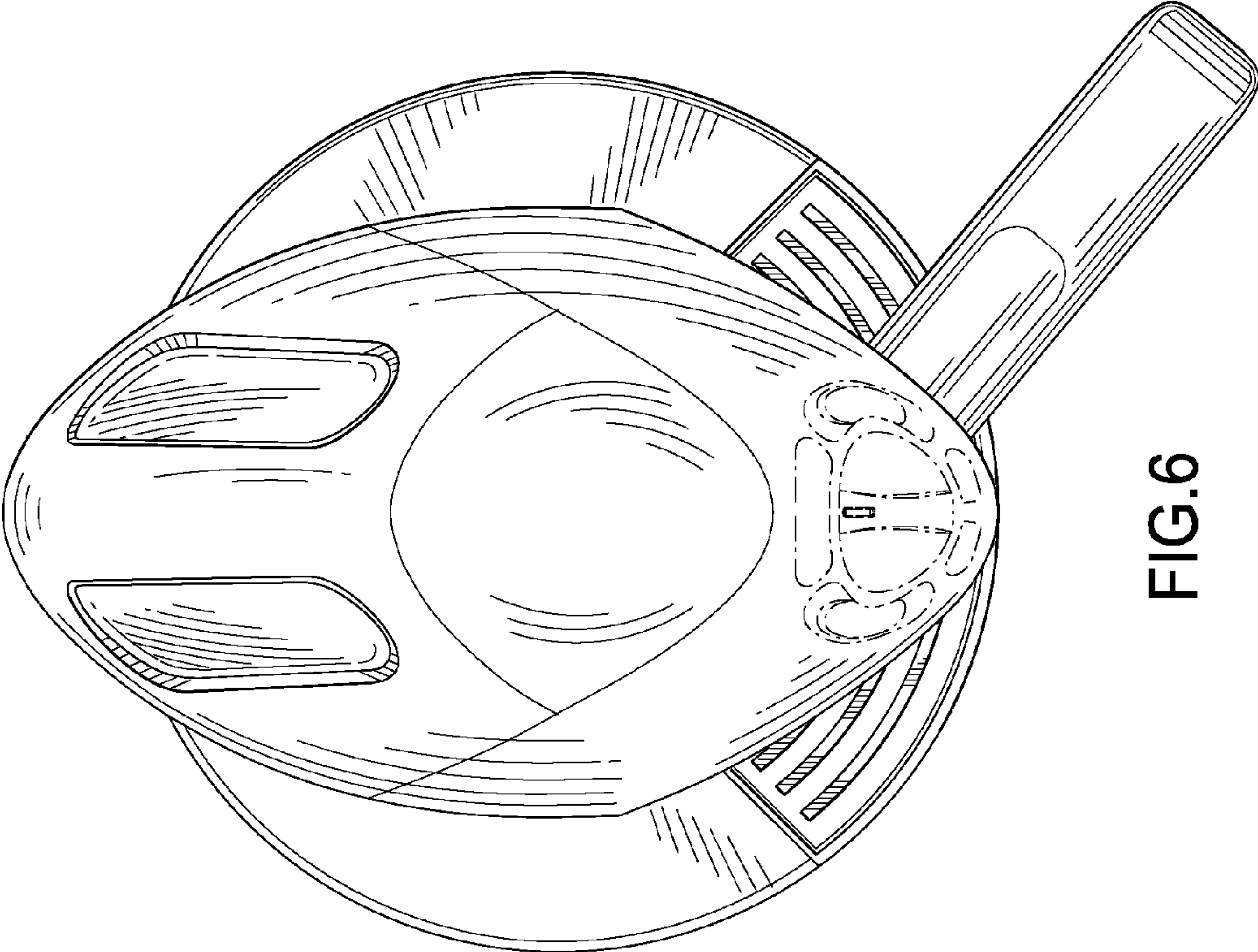


FIG. 6

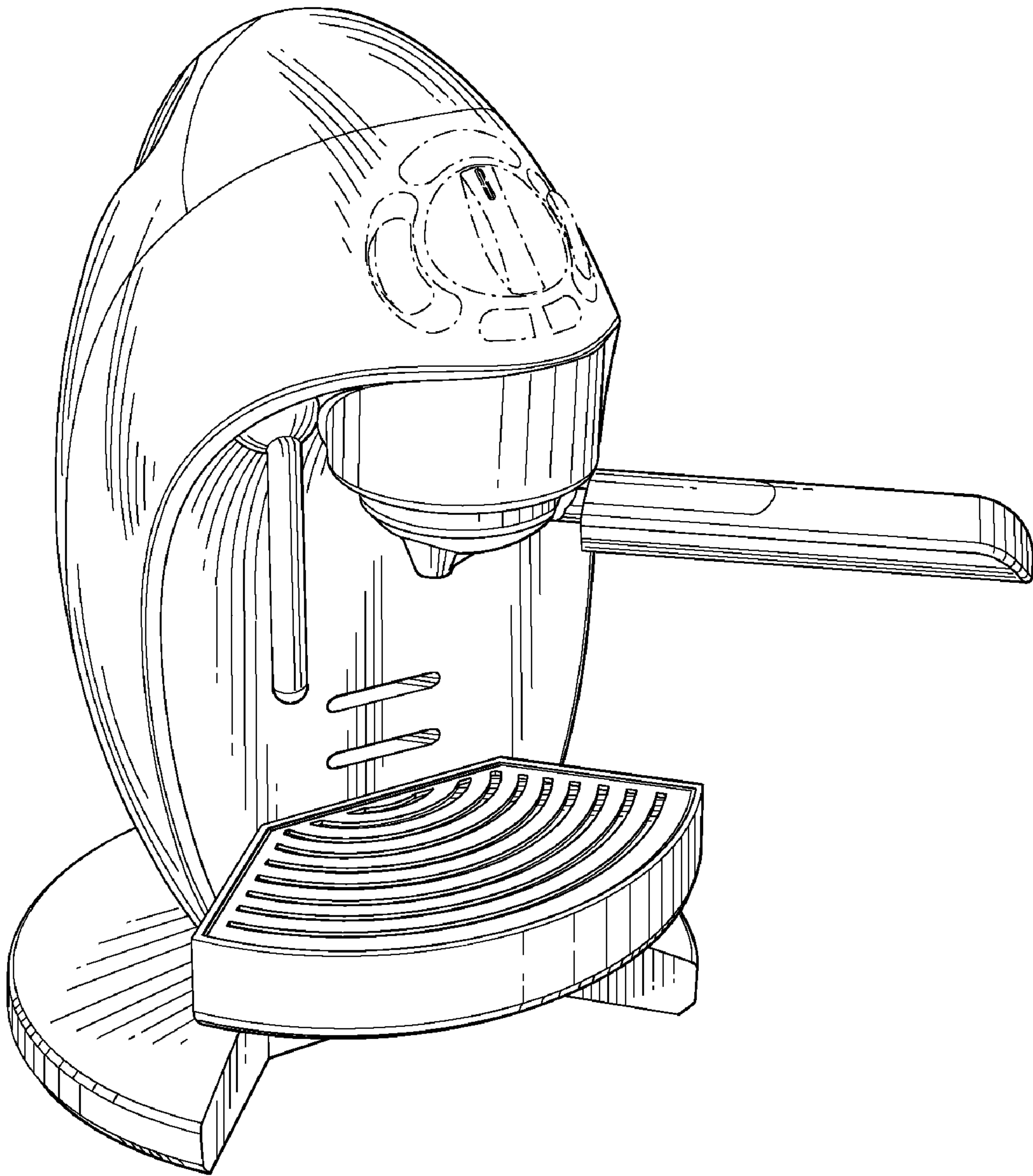


FIG.8

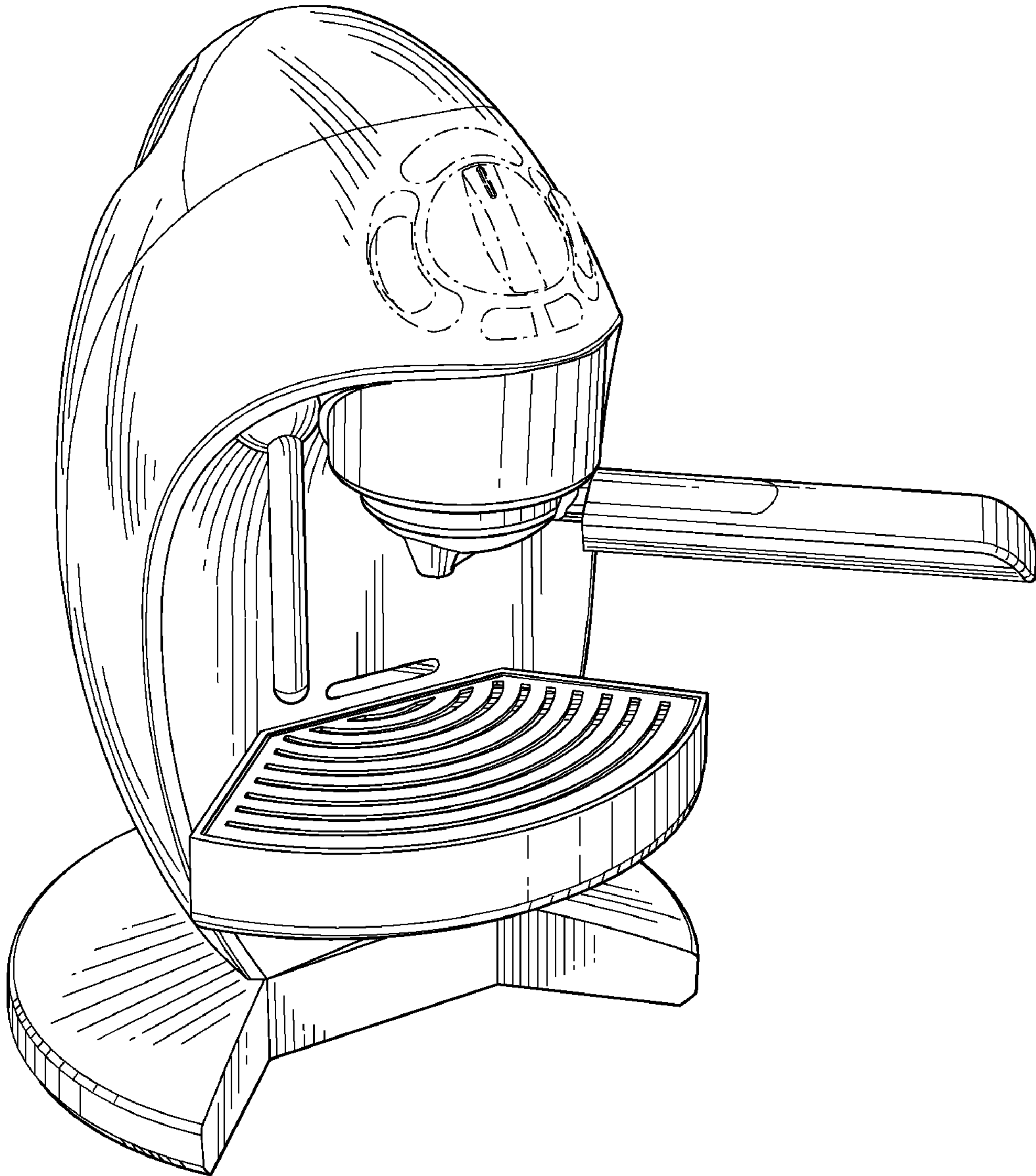


FIG.9