



US00D632518S

(12) **United States Design Patent**
Schmidt et al.

(10) **Patent No.:** **US D632,518 S**
(45) **Date of Patent:** **** Feb. 15, 2011**

(54) **WALL CABINET**

(75) Inventors: **Duane A. Schmidt**, Newburgh, IN (US);
Allan R. Steinkuhl, Evansville, IN (US);
Joseph L. Coleman, Evansville, IN (US)

(73) Assignee: **Whirlpool Corporation**, Benton Harbor, MI (US)

(**) Term: **14 Years**

(21) Appl. No.: **29/366,556**

(22) Filed: **Jul. 27, 2010**

Related U.S. Application Data

(62) Division of application No. 29/357,836, filed on Mar. 18, 2010, now Pat. No. Des. 623,881, which is a division of application No. 29/345,616, filed on Oct. 20, 2009, now Pat. No. Des. 614,898, which is a division of application No. 29/338,377, filed on Jun. 10, 2009, now Pat. No. Des. 605,446, which is a division of application No. 29/323,154, filed on Aug. 20, 2008, now Pat. No. Des. 595,983, which is a division of application No. 29/299,983, filed on Jan. 8, 2008, now Pat. No. Des. 587,503, which is a division of application No. 29/281,659, filed on Jun. 28, 2007, now Pat. No. Des. 563,137, which is a division of application No. 29/234,898, filed on Jul. 25, 2005, now Pat. No. Des. 550,012, which is a division of application No. 29/230,480, filed on May 23, 2005, now Pat. No. Des. 528,337, which is a division of application No. 29/210,767, filed on Aug. 5, 2004, now Pat. No. Des. 510,832, which is a division of application No. 29/173,466, filed on Dec. 30, 2002, now Pat. No. Des. 495,912.

(51) **LOC (9) Cl.** **06-04**

(52) **U.S. Cl.** **D6/561**

(58) **Field of Classification Search** D6/512,
D6/553, 559–561, 432, 492, 445–448, 510,
D6/511; D25/47, 48, 58, 138, 141, 142,
D25/103, 106–111, 157–159, 119, 152–153,
D25/155–156, 162, 102; 52/177–181; 312/100,
312/204, 242–245; D15/91; 428/132, 137,
428/141, 182

See application file for complete search history.

(56) **References Cited**

U.S. PATENT DOCUMENTS

2,043,987 A * 6/1936 Brown 428/132
D170,733 S * 10/1953 Wilson D25/142

(Continued)

Primary Examiner—Brian N Vinson

(74) *Attorney, Agent, or Firm*—Tara M. Hartman

(57) **CLAIM**

The ornamental design for a wall cabinet, as shown and described.

DESCRIPTION

FIG. 1 is a top, front and right side perspective view of a wall cabinet showing a first embodiment of our new design;

FIG. 2 is an enlarged fragmentary front elevation view of FIG. 3;

FIG. 3 is a front elevation view of the wall cabinet of FIG. 1;

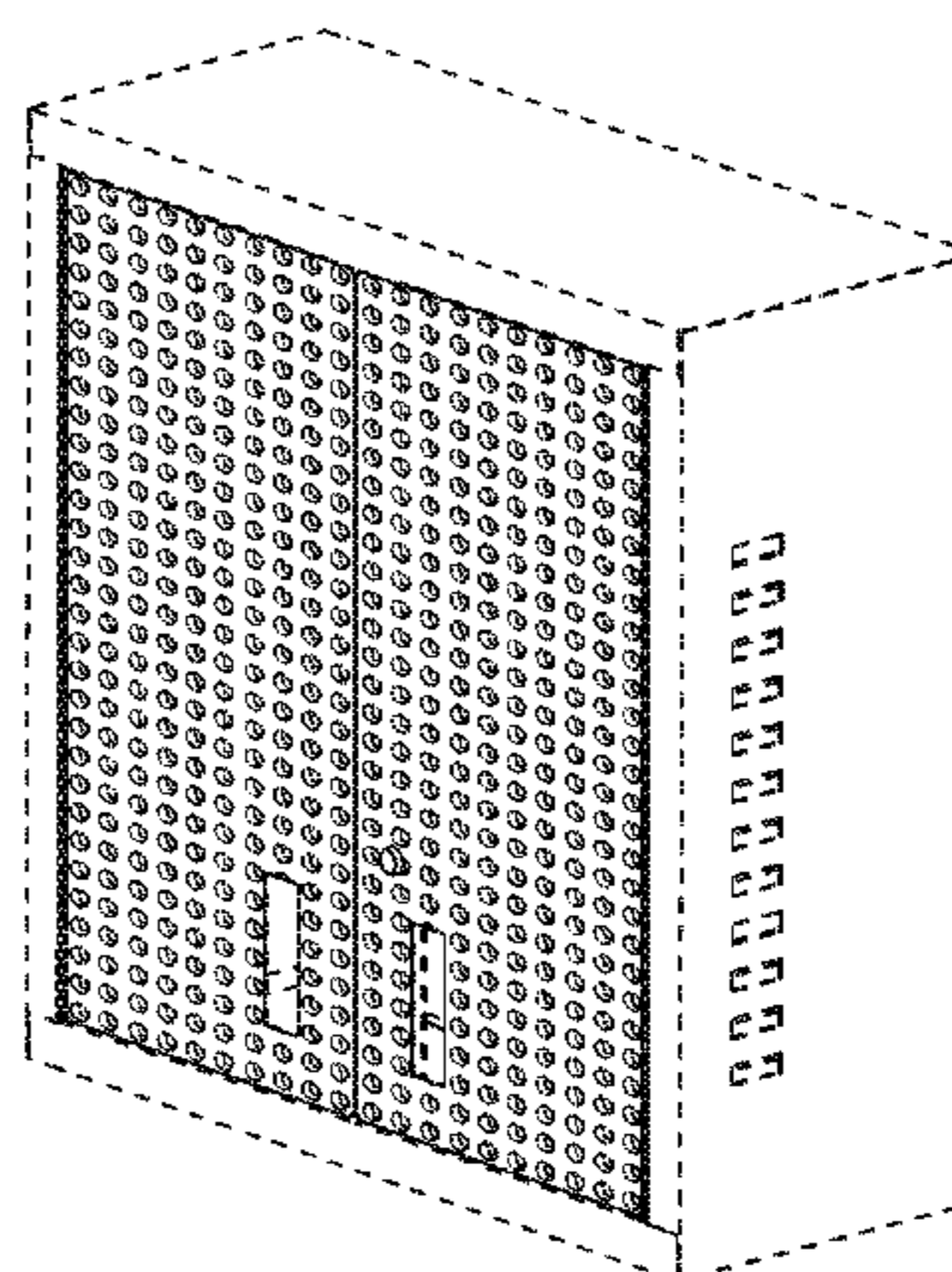
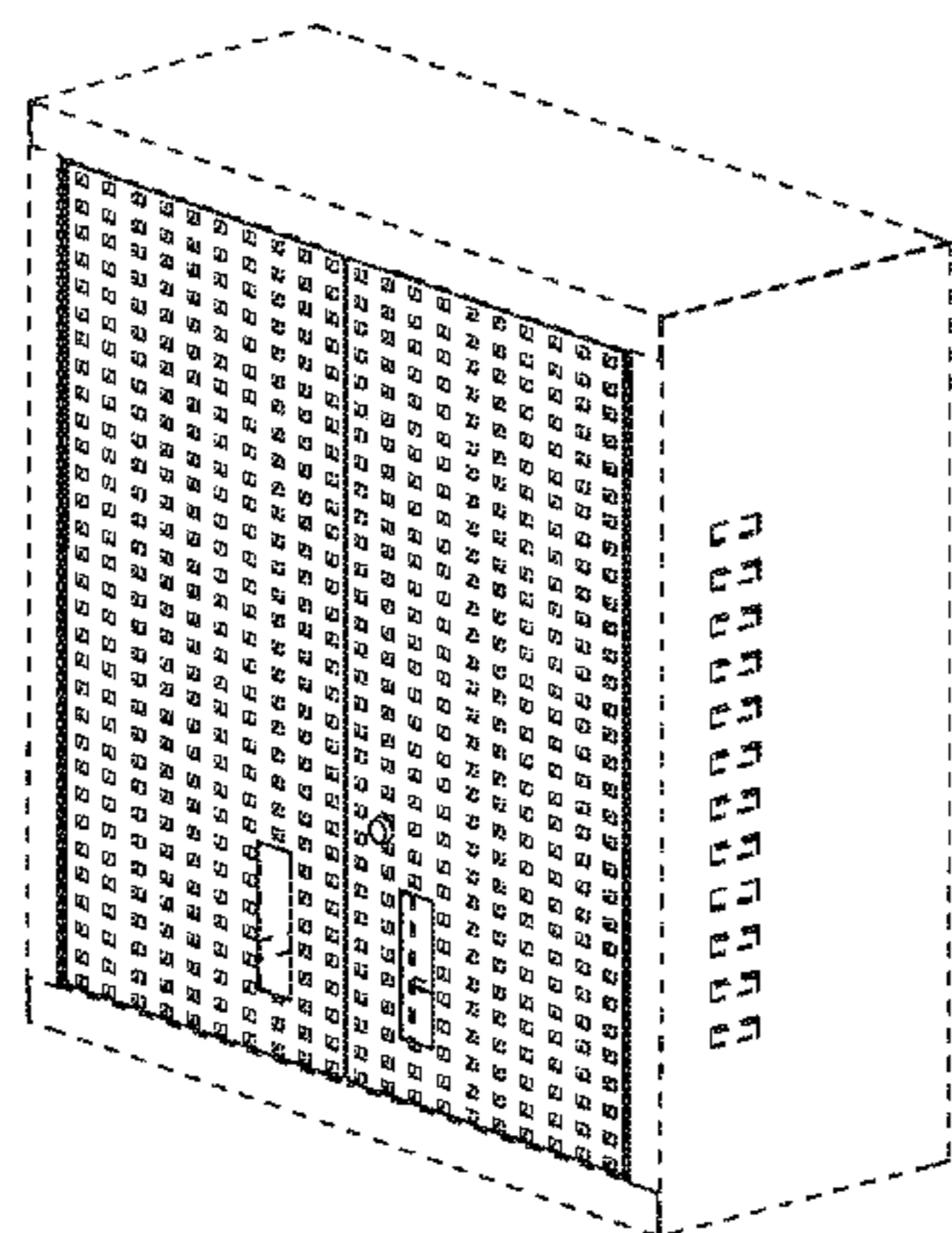
FIG. 4 is a top, front and right side perspective view of a wall cabinet showing a second embodiment of our new design, the only difference being the configuration of the pattern on the wall cabinet doors, it being understood that all other surfaces are the same as those of the embodiment of FIG. 1;

FIG. 5 is an enlarged fragmentary front elevation view of FIG. 6; and,

FIG. 6 is a front elevation view of the wall cabinet of FIG. 4.

The ornamental design is not visible in a rear view, top plan view or bottom views. Those portions of wall cabinet in broken lines are understood to form no part of the claimed design. The characteristic feature of the ornamental design resides in the use of a pattern on the wall cabinet doors. One embodiment of a pattern according to the ornamental design is shown in FIGS. 1-3. Another embodiment of a pattern according to the ornamental design are shown in FIG. 4-6.

1 Claim, 4 Drawing Sheets



US D632,518 S

Page 2

U.S. PATENT DOCUMENTS

D223,901 S *	6/1972	Shaeffer	D25/58	D495,067 S *	8/2004	Winig et al.	D25/155
D302,019 S *	7/1989	Dehlen	D25/156	D520,650 S *	5/2006	Fuccella et al.	D25/156
D305,391 S *	1/1990	Whitney	D6/561	D522,149 S *	5/2006	Shin	D25/156
D336,349 S *	6/1993	Moreau	D25/156	D523,036 S *	6/2006	Schmidt et al.	D15/91
D357,083 S *	4/1995	Underdahl	D25/159	D536,713 S *	2/2007	Schmidt et al.	D15/91
D367,972 S *	3/1996	Valls et al.	D25/156	D553,263 S *	10/2007	Kim	D25/155
D406,363 S *	3/1999	Molnar	D25/156	D554,414 S *	11/2007	Sheppard	D6/561
D410,291 S *	5/1999	Ito	D25/156	D575,881 S *	8/2008	Diamond	D25/156
D455,503 S *	4/2002	Heltzer	D25/158	D588,716 S *	3/2009	Meyer	D25/142
D459,611 S *	7/2002	Lio et al.	D6/432	D602,723 S *	10/2009	Daino et al.	D6/561
D471,377 S *	3/2003	Gledhill et al.	D6/432	D624,771 S *	10/2010	Lim	D6/561

* cited by examiner

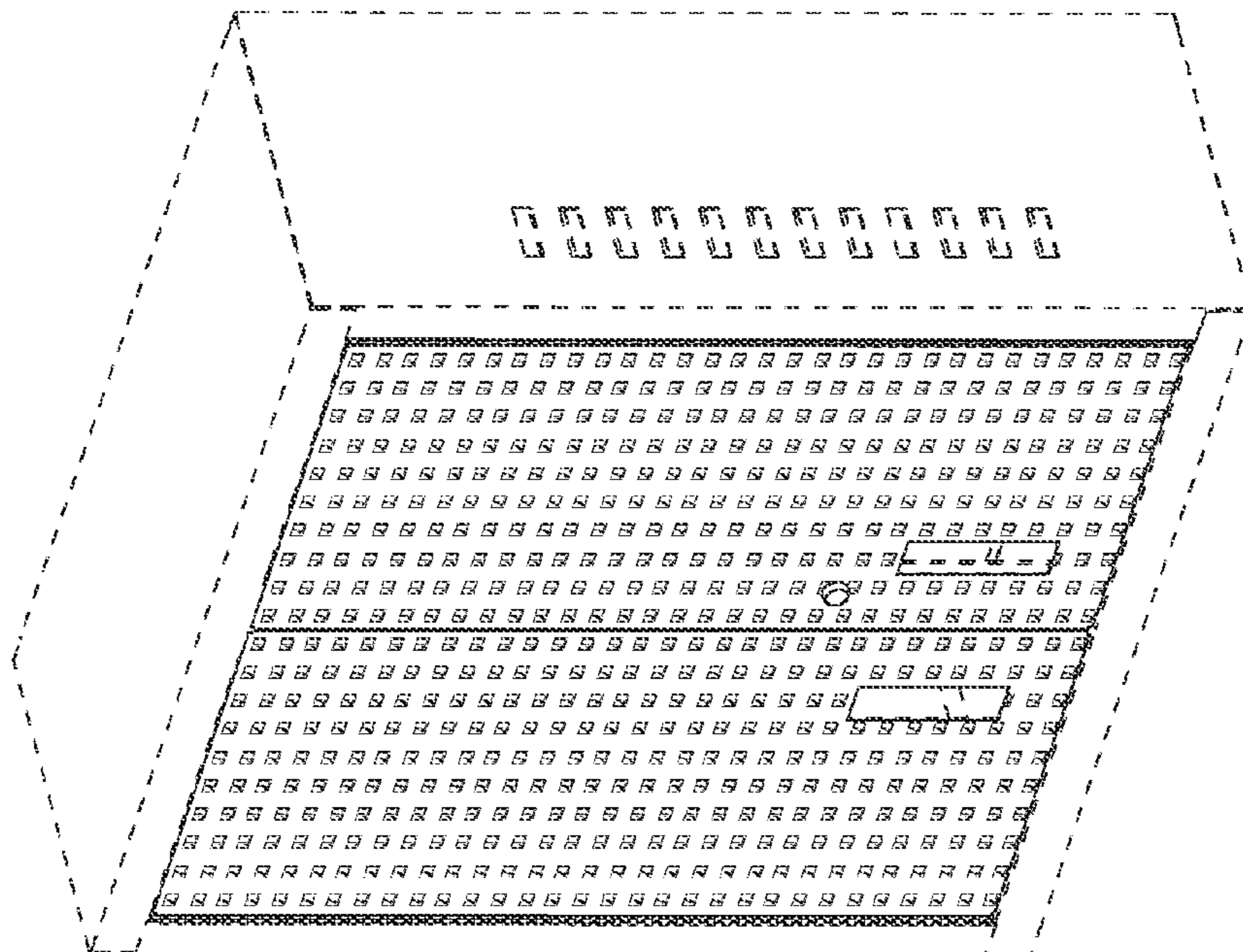


Fig. 1

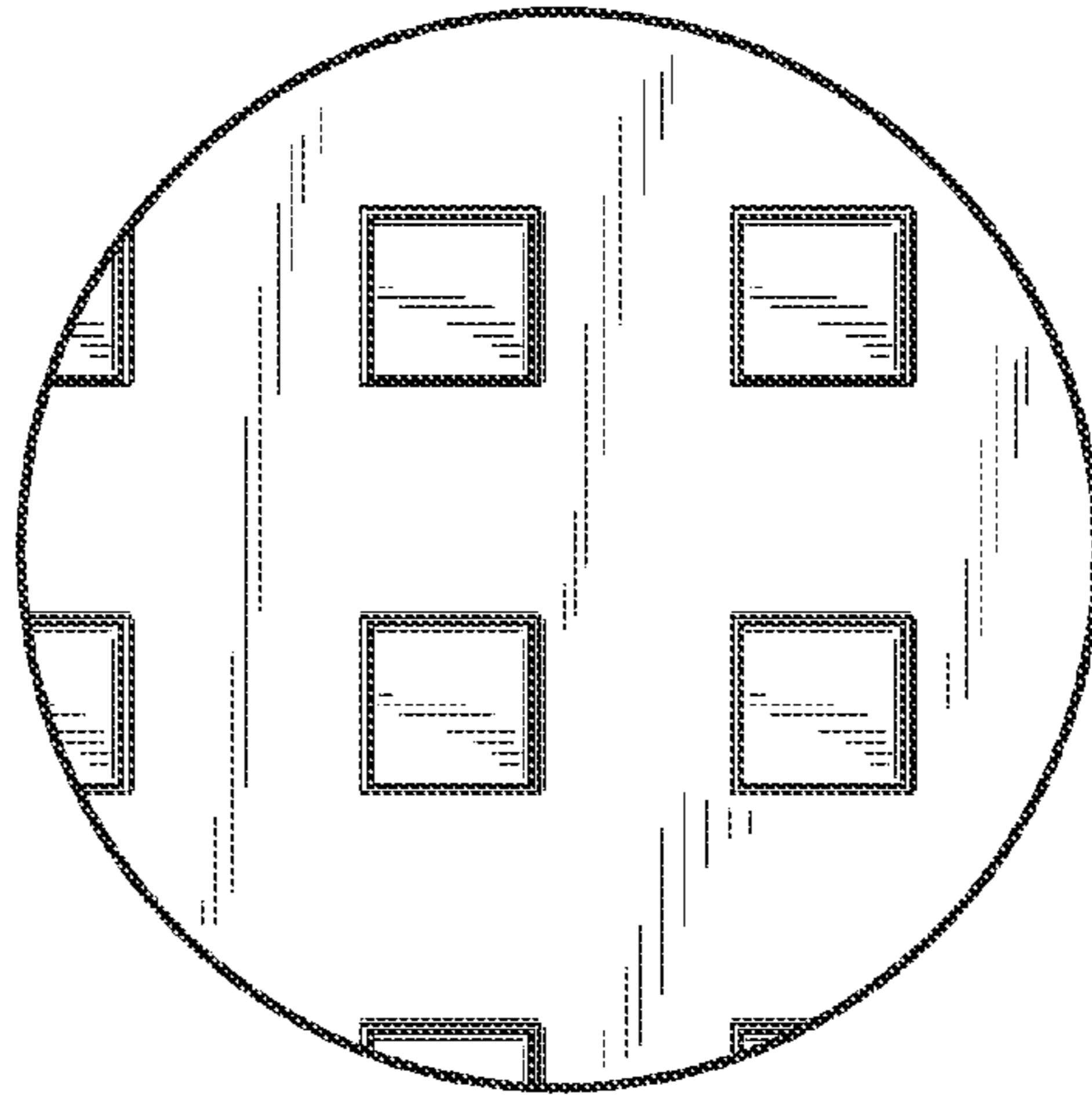


Fig. 2

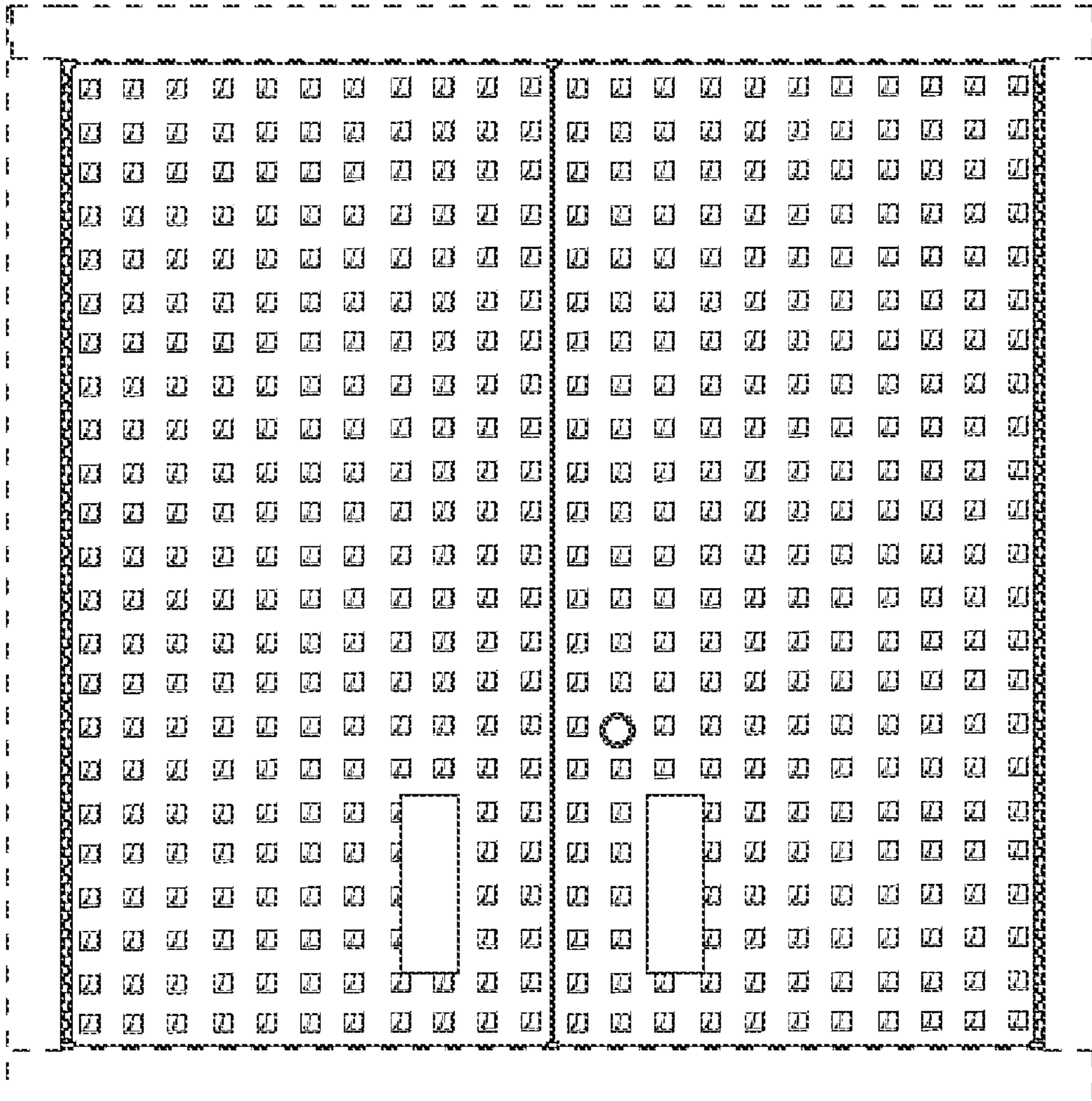


Fig. 3

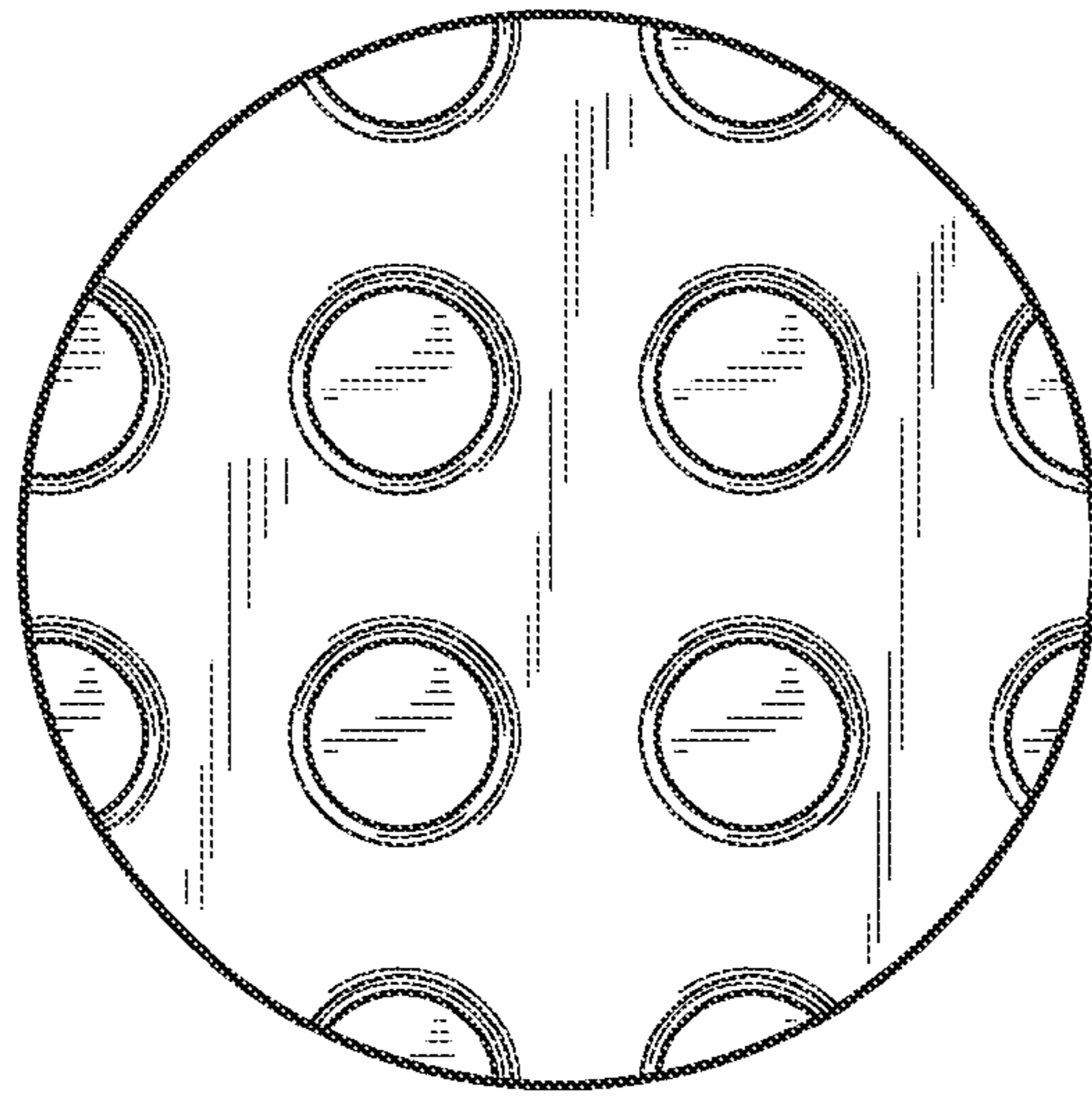


Fig. 5

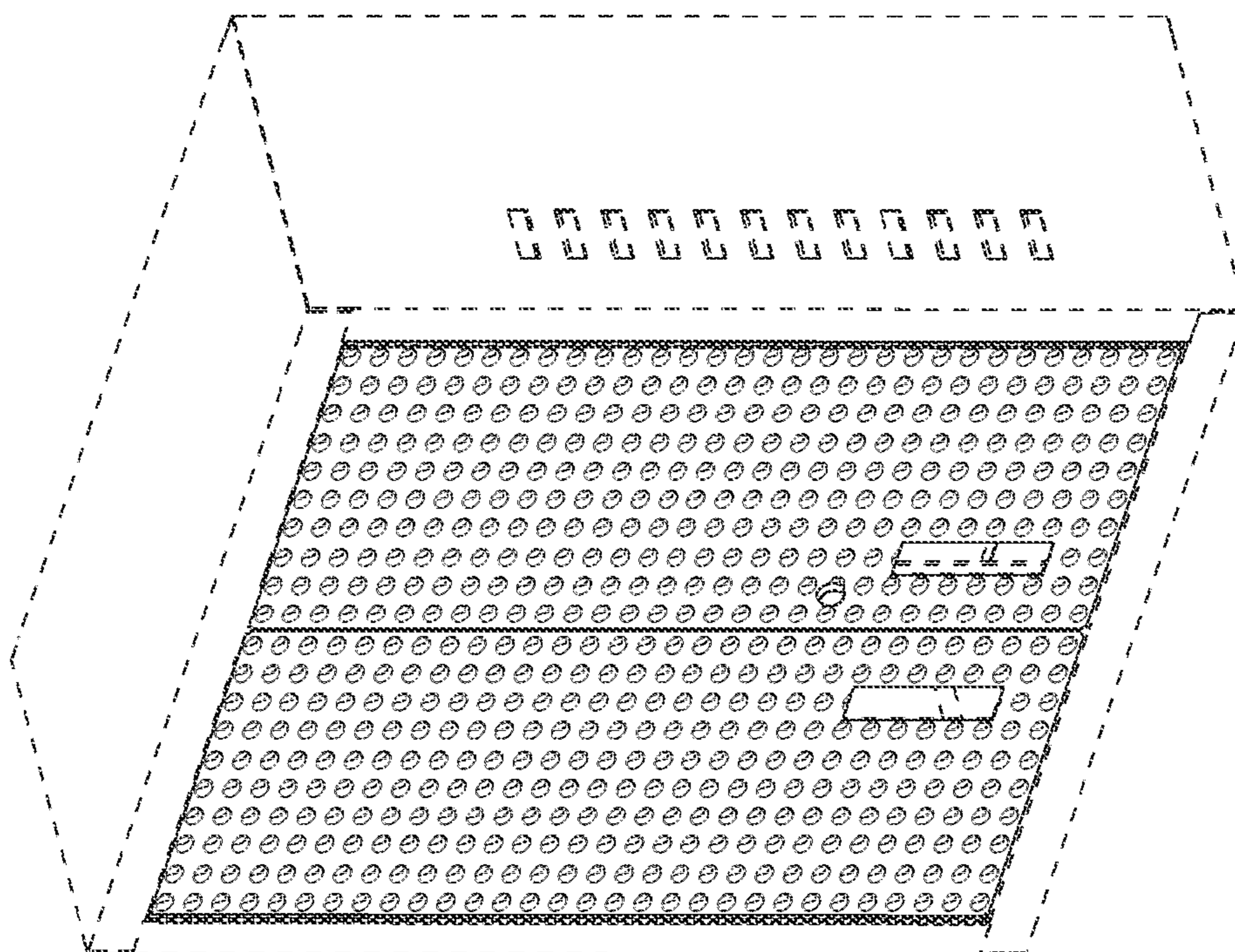


Fig. 4

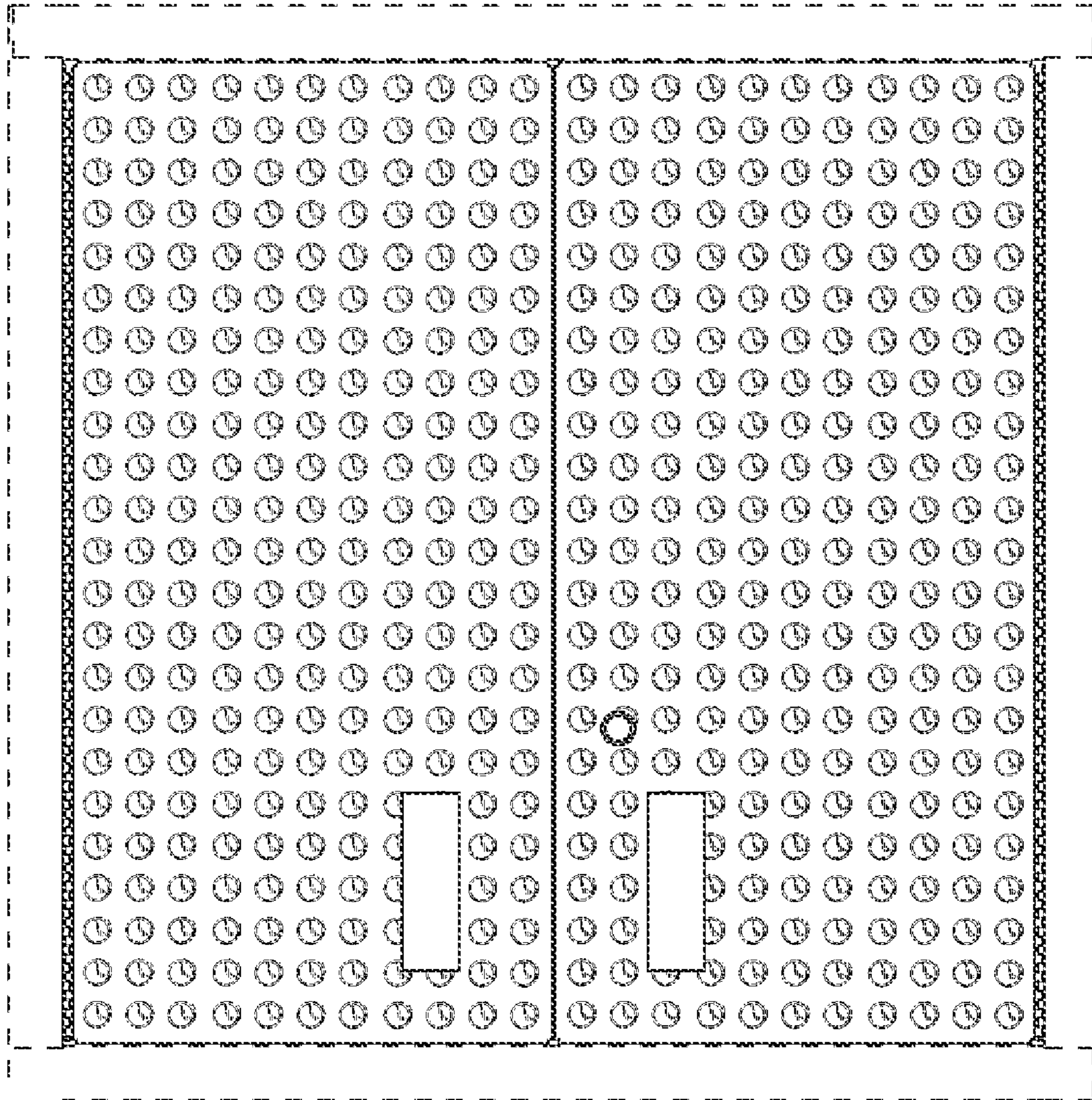


Fig. 6