



US00D632517S

(12) **United States Design Patent**
Pribanich

(10) **Patent No.:** **US D632,517 S**

(45) **Date of Patent:** **** Feb. 15, 2011**

(54) **PLANT AND BIRDFEEDER HANGER**

(76) **Inventor:** **Steven Pribanich**, 7078 Big Horn Dr.,
Crossville, TN (US) 38572

(**) **Term:** **14 Years**

(21) **Appl. No.:** **29/341,429**

(22) **Filed:** **Aug. 5, 2009**

(51) **LOC (9) Cl.** **11-02**

(52) **U.S. Cl.** **D6/556**

(58) **Field of Classification Search** D6/403-405,
D6/556-558; D8/1; D11/143-156, 164;
D19/77, 80-82, 84; D25/100; D26/9-11,
D26/16-18, 20, 22; D34/1, 2, 4-6; D99/5,
D99/19; 47/32.7, 33, 39, 41.01, 41.1, 41.12,
47/41.13, 41.15, 44-47, 65.5, 65.9, 66.1,
47/66.3-66.6, 67-70

See application file for complete search history.

(56) **References Cited**

U.S. PATENT DOCUMENTS

365,555	A *	6/1887	Tolman	47/67
3,345,028	A	10/1967	Lawrie		
D223,682	S *	5/1972	Aldape	D34/6
D266,382	S *	10/1982	Hutchinson	D6/556
4,409,907	A	10/1983	Norton		
4,744,537	A	5/1988	Buckley		
4,874,141	A *	10/1989	Schulz	D34/5
5,163,645	A *	11/1992	Caruso	D34/6

D352,674	S *	11/1994	Richards et al.	D11/148
D359,629	S *	6/1995	Korkowski	D6/403
D406,978	S *	3/1999	Cox	D6/566
D416,472	S	11/1999	Huttner		
D468,553	S *	1/2003	Nunes	D6/403
6,752,365	B2	6/2004	Vanech		
D554,927	S *	11/2007	Smith	D6/566
D591,094	S *	4/2009	Paille	D6/556
2005/0061934	A1	3/2005	Steven et al.		

* cited by examiner

Primary Examiner—Garth Rademaker

(74) *Attorney, Agent, or Firm*—Dan J. Pelto; Sheppard,
Mullin, Richter & Hampton LLP

(57) **CLAIM**

The ornamental design for a plant and birdfeeder hanger, as shown and described.

DESCRIPTION

FIG. 1 is a perspective view of a plant and birdfeeder hanger showing my new design;

FIG. 2 is a front elevation view thereof;

FIG. 3 is a rear elevation view thereof;

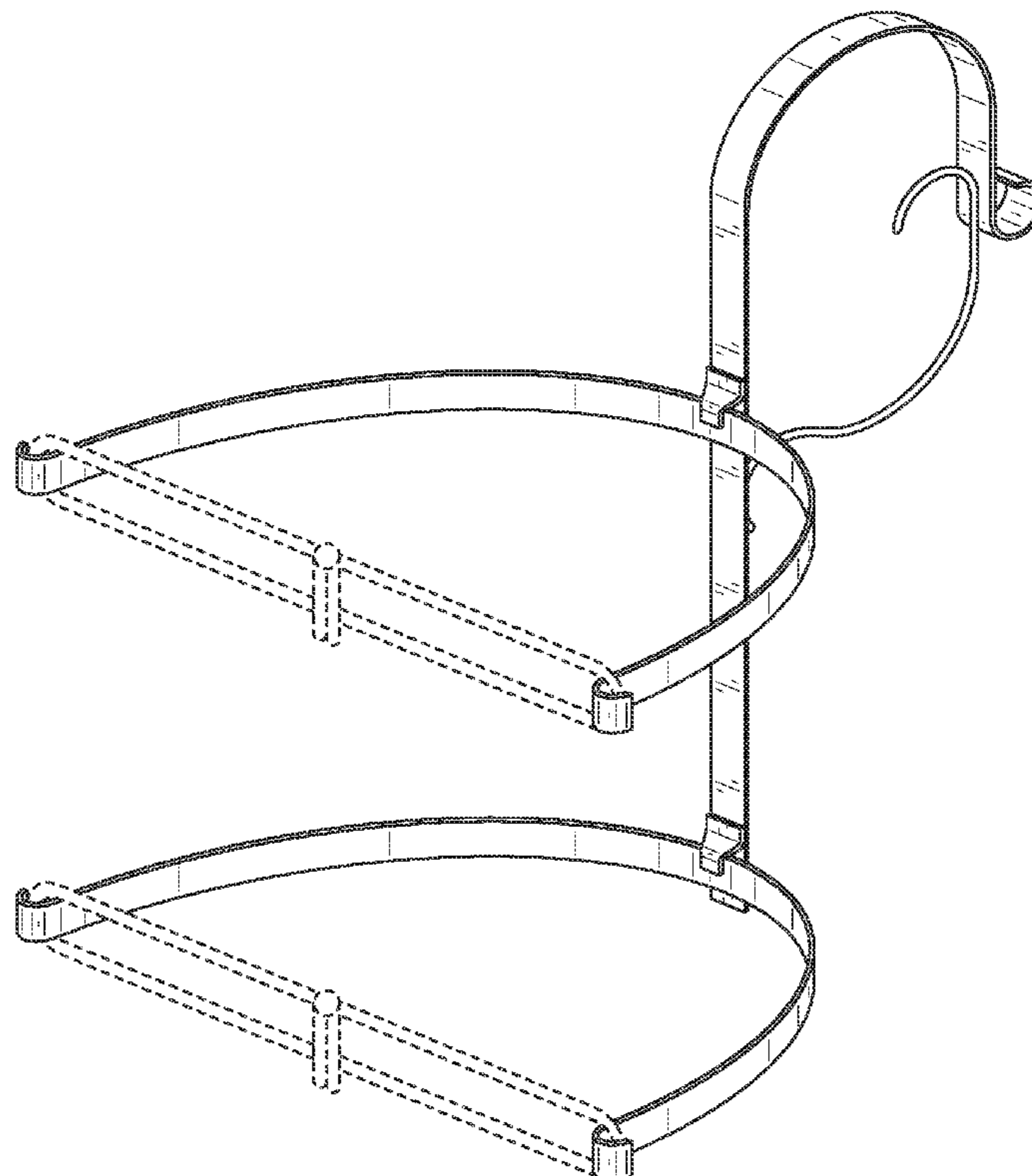
FIG. 4 is a left side elevation view thereof;

FIG. 5 is a right side elevation view thereof;

FIG. 6 is a top plan view thereof; and,

FIG. 7 is a bottom view thereof.

1 Claim, 7 Drawing Sheets



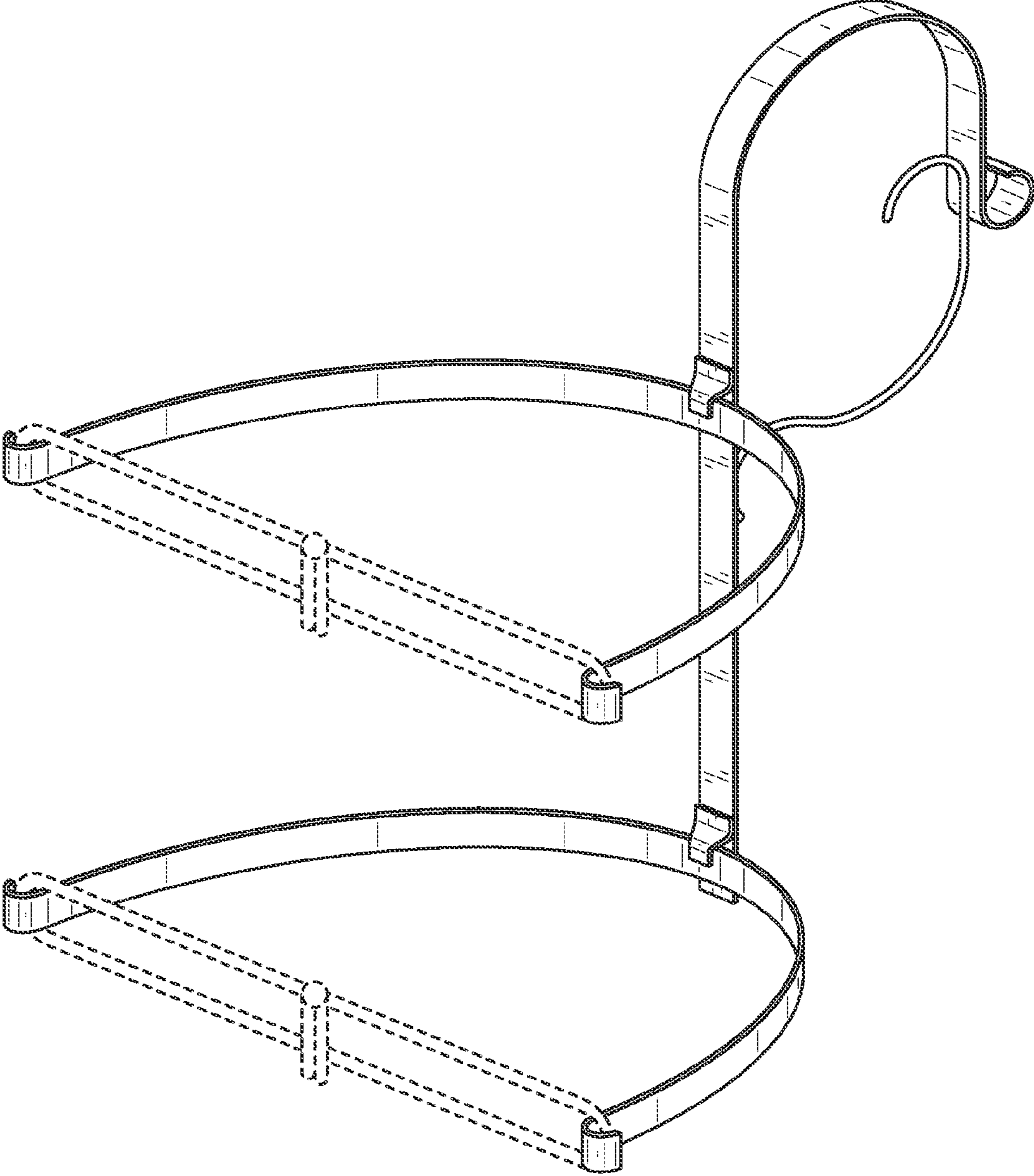


FIG. 1

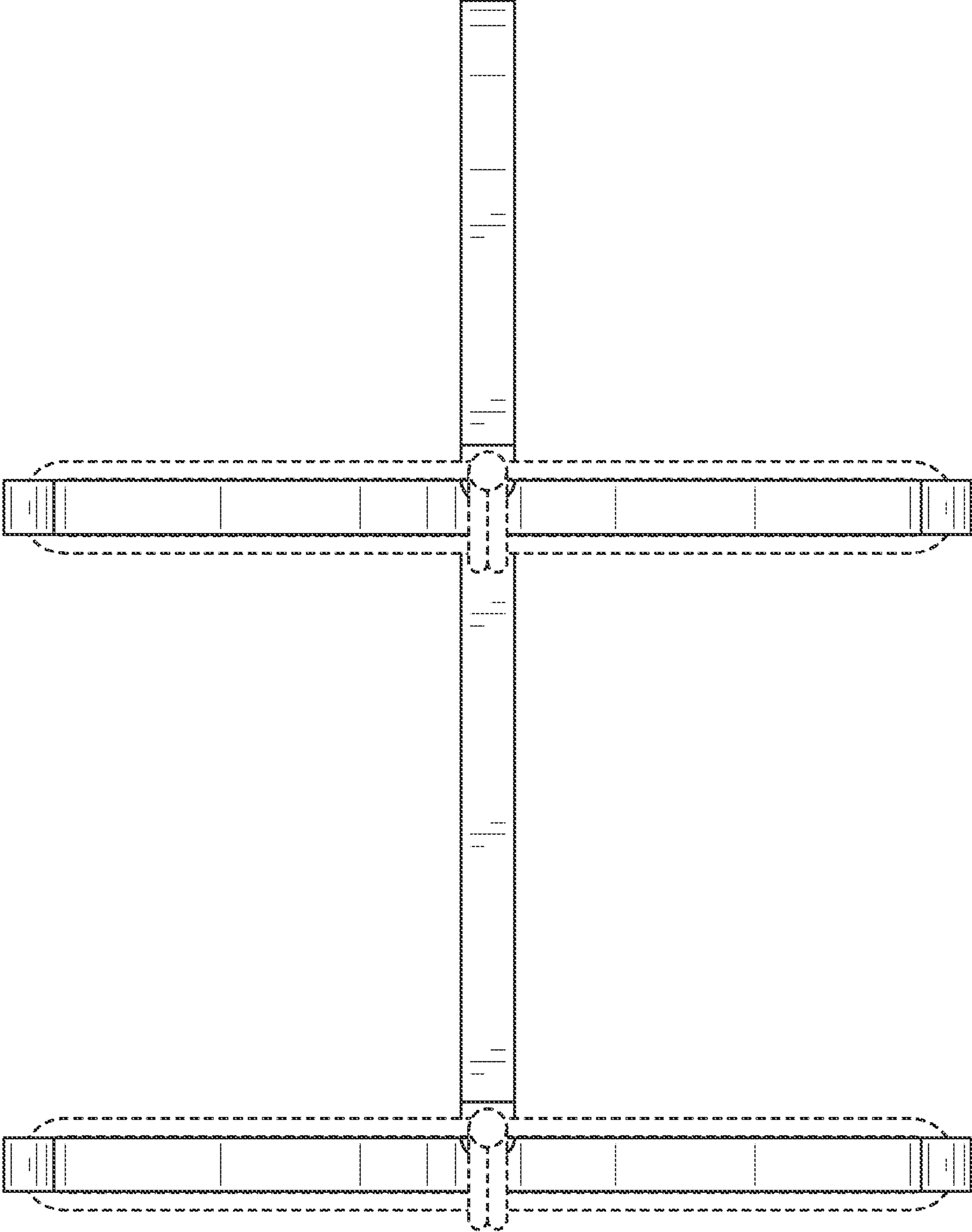


FIG. 2

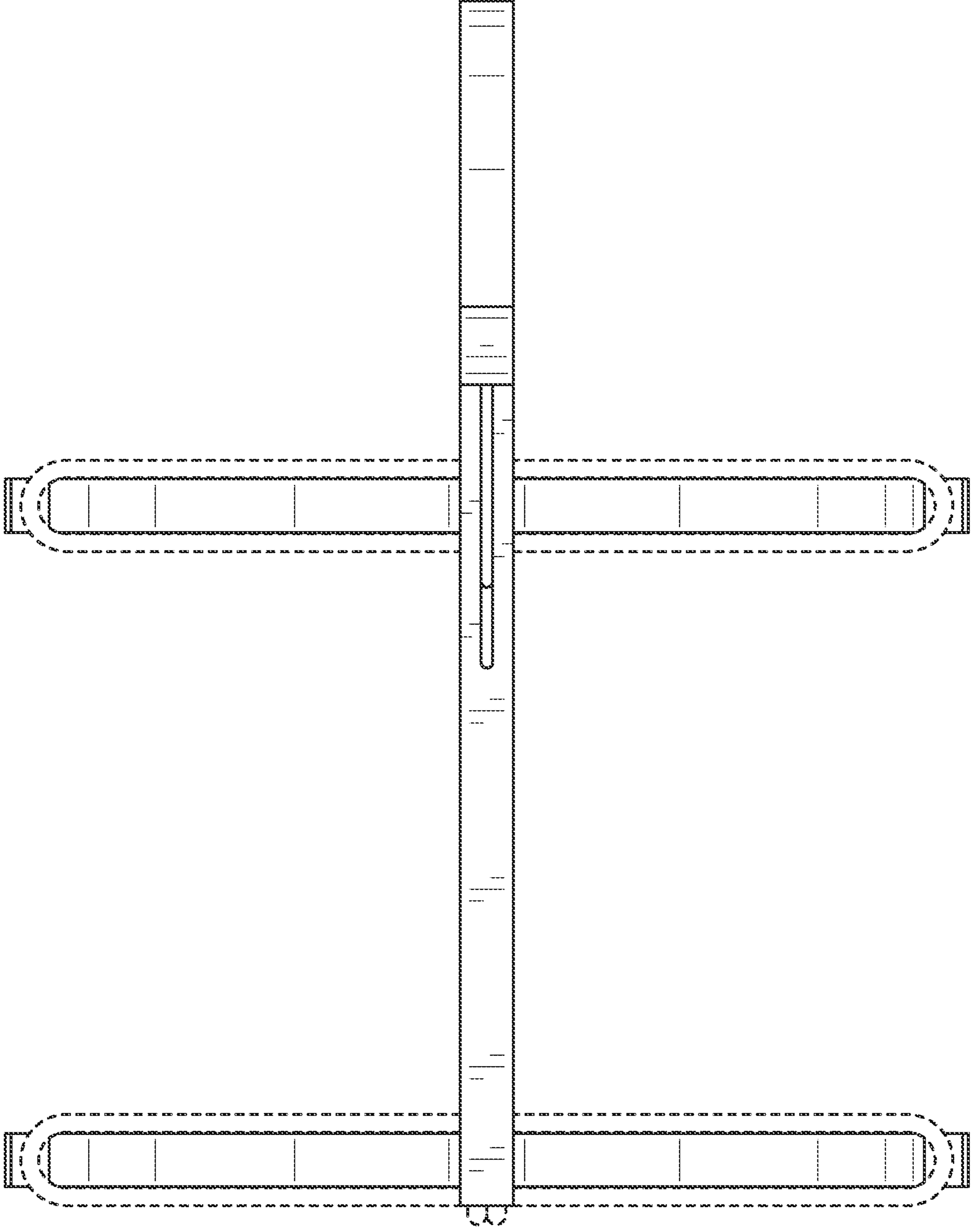


FIG. 3

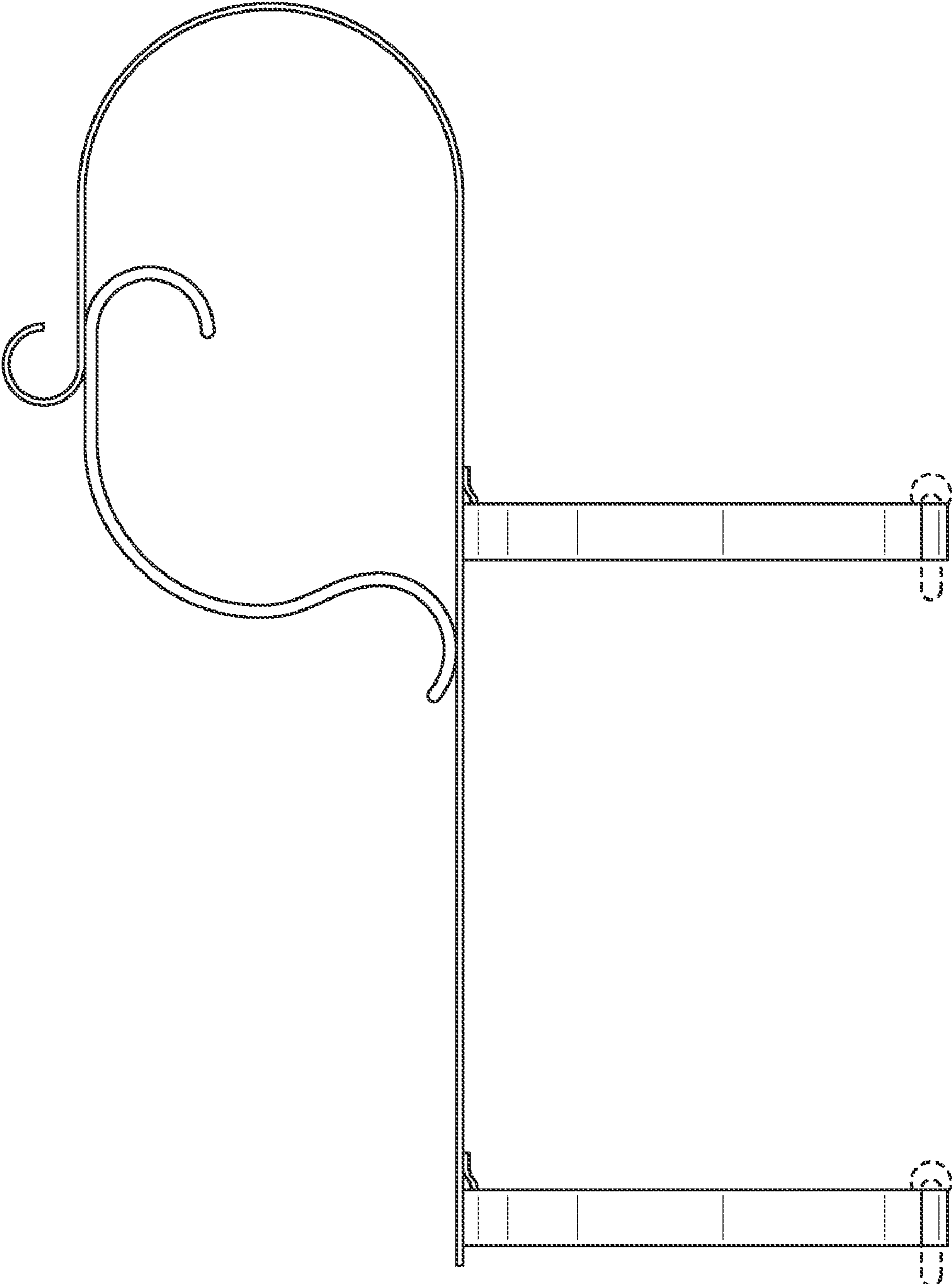


FIG. 4

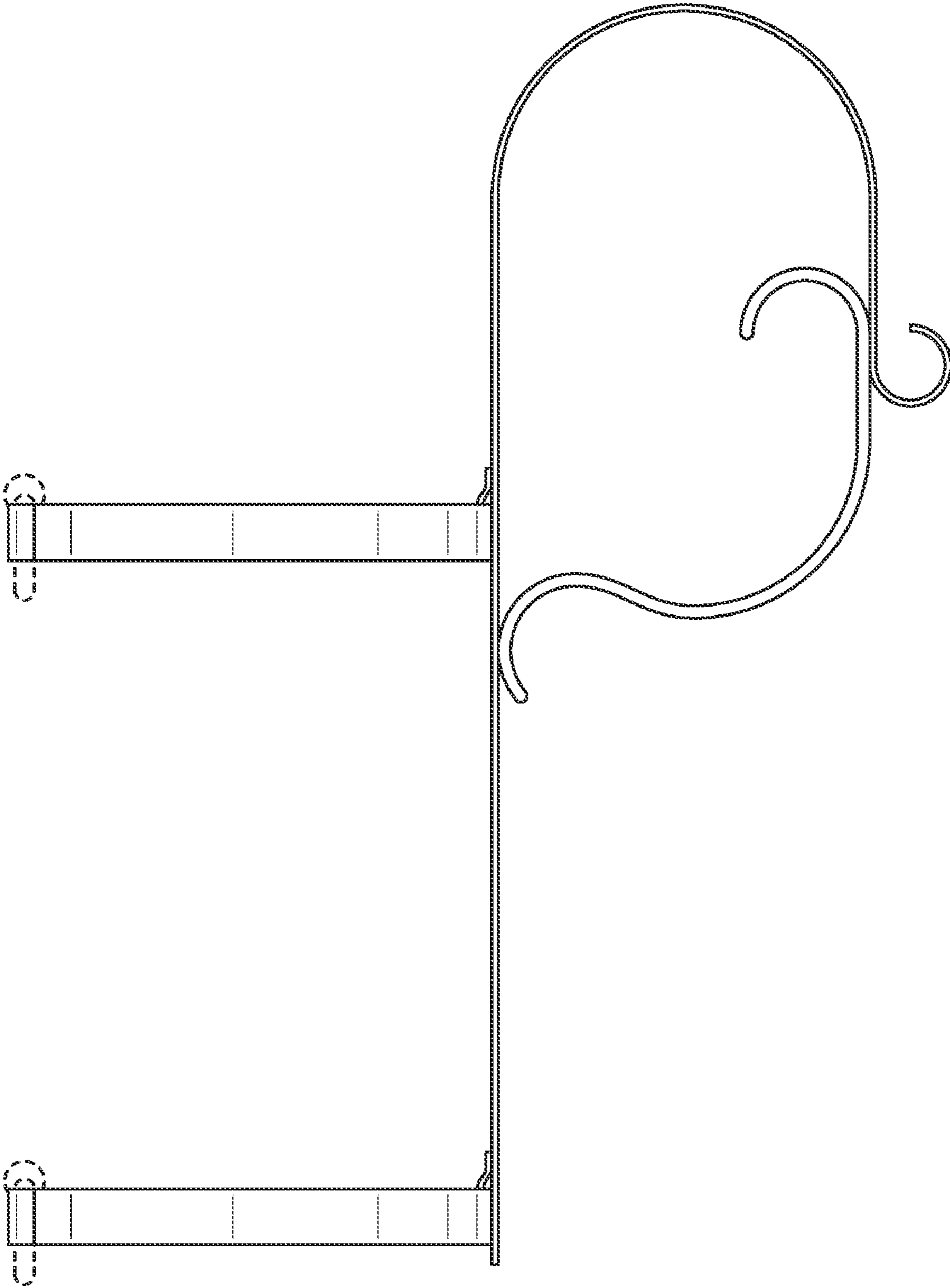


FIG. 5

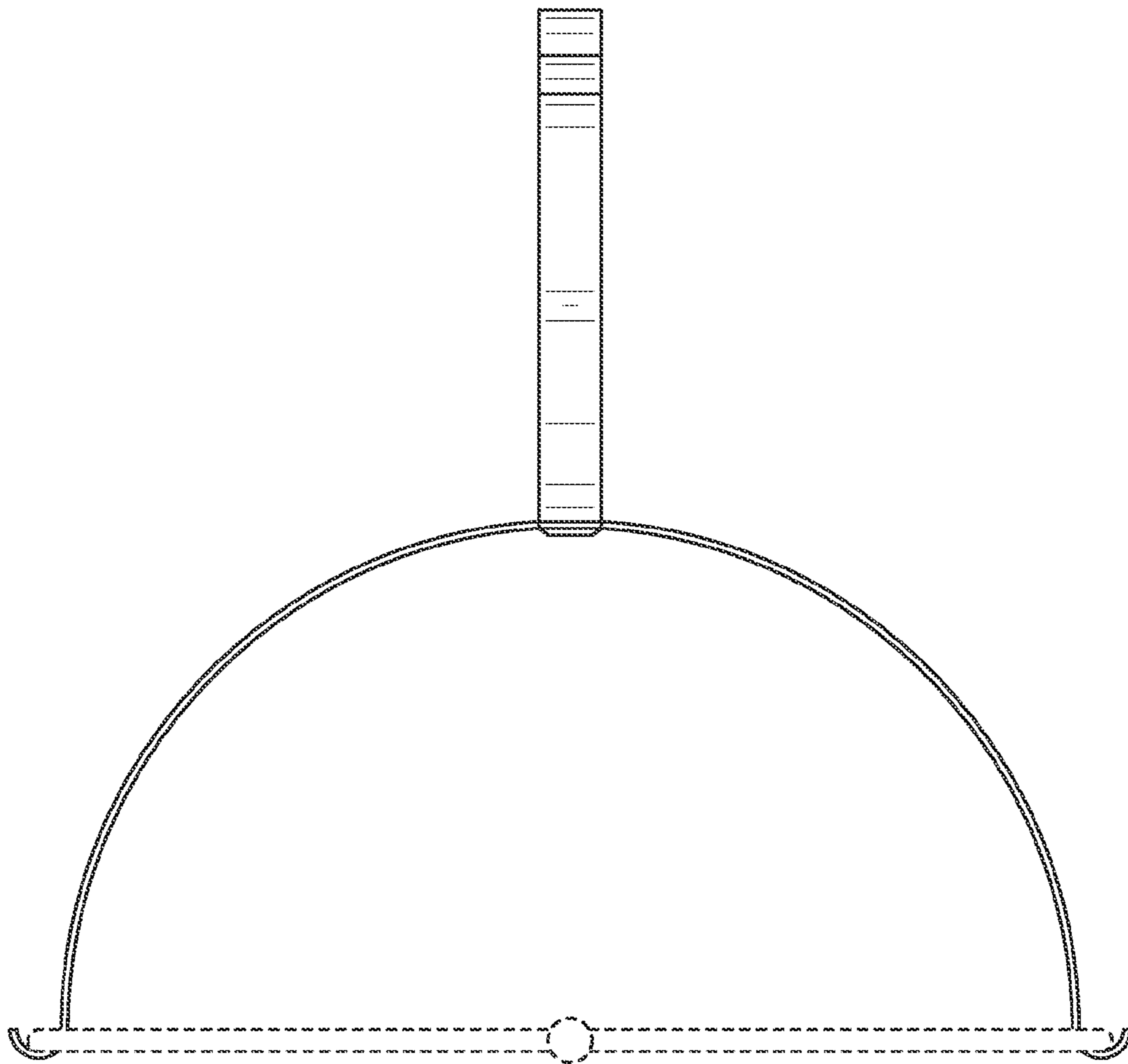


FIG. 6

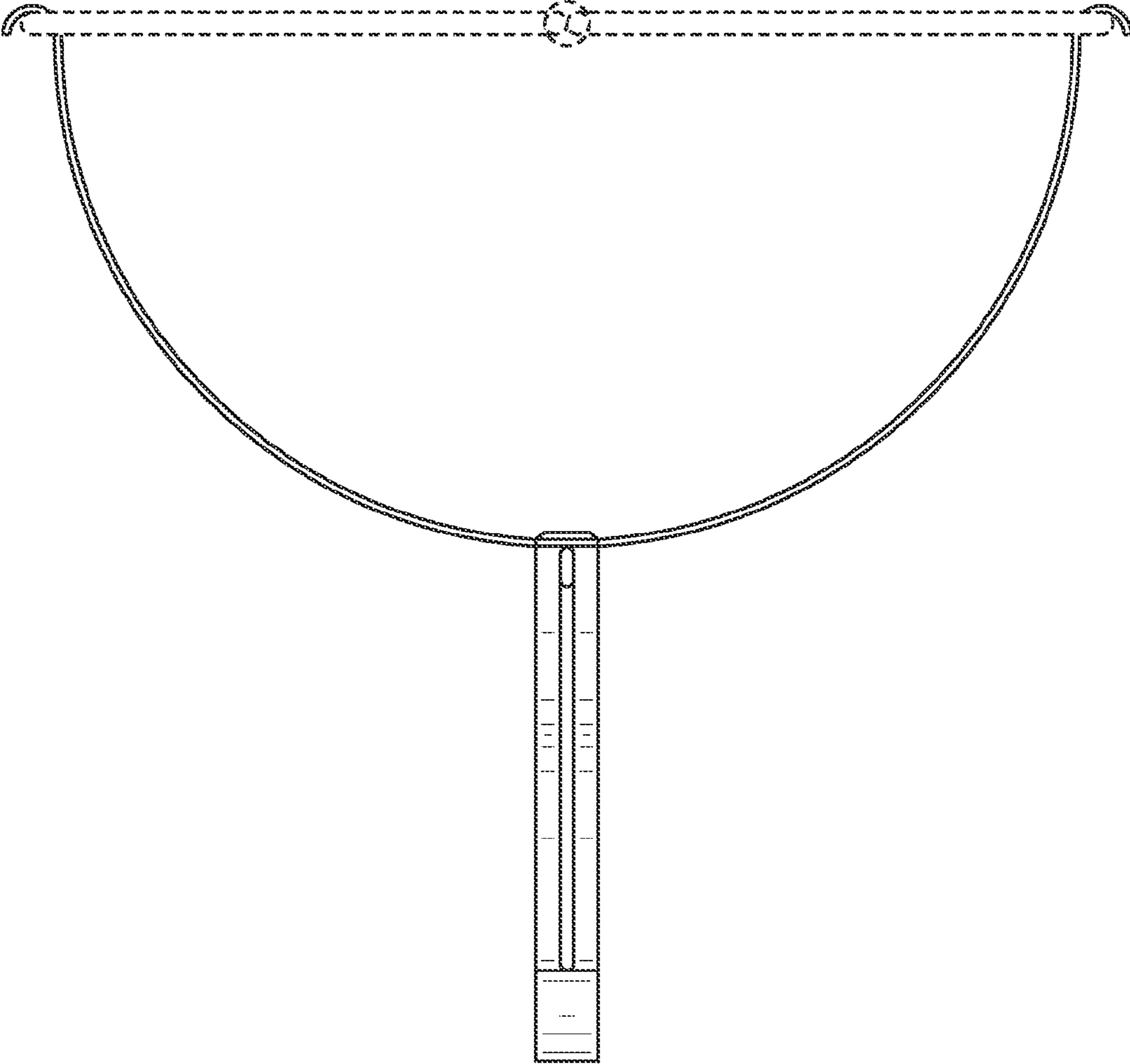


FIG. 7