

US00D632516S

(12) **United States Design Patent**  
**Schulz et al.**

(10) **Patent No.:** **US D632,516 S**

(45) **Date of Patent:** **\*\* Feb. 15, 2011**

(54) **RAZOR HANGER**

(75) Inventors: **Kristopher William Schulz**, Framingham, MA (US); **Andrew Anthony Szczepanowski**, North Attleboro, MA (US); **Jennifer Ruth Kinard**, Cambridge, MA (US)

(73) Assignee: **The Gillette Company**, Boston, MA (US)

(\*\*) Term: **14 Years**

(21) Appl. No.: **29/358,530**

(22) Filed: **Mar. 29, 2010**

(51) **LOC (9) Cl.** ..... **28-03**

(52) **U.S. Cl.** ..... **D6/526**

(58) **Field of Classification Search** ..... D6/526,  
D6/524, 540; 211/13.1, 70.6, 87.01, 89.01;  
248/200, 205.5, 309.1, 314, 127, 176.1  
See application file for complete search history.

(56) **References Cited**

U.S. PATENT DOCUMENTS

D251,970 S *	5/1979	Fujita	.....	D6/526
D300,406 S *	3/1989	Bordian	.....	D6/526
D333,583 S	3/1993	Hurd		
D335,413 S	5/1993	Lizanetz et al.		
D335,990 S *	6/1993	Lizanetz et al.	.....	D6/526
D369,049 S *	4/1996	Scaglione	.....	D6/526
D370,375 S *	6/1996	Murgida et al.	.....	D6/526
D371,735 S	7/1996	Motta		
D404,526 S	1/1999	Motta et al.		
D423,845 S	5/2000	Coffin et al.		

D464,222 S	10/2002	Coffin et al.		
D494,795 S	8/2004	Bunnell et al.		
D495,179 S	8/2004	Bunnell et al.		
D531,439 S	11/2006	Kling		
D533,740 S	12/2006	Dombrowski et al.		
D547,582 S *	7/2007	Lukan	.....	D6/526
D571,591 S *	6/2008	Ramm et al.	.....	D6/526
D574,651 S	8/2008	Wonderley et al.		
D588,387 S	3/2009	Micinilio et al.		
D596,434 S	7/2009	Micinilio et al.		

\* cited by examiner

*Primary Examiner*—Brian N Vinson

(74) *Attorney, Agent, or Firm*—Austin P. Wang; Kevin C. Johnson; Steven W. Miller

(57) **CLAIM**

The ornamental design for a razor hanger, as shown and described.

**DESCRIPTION**

FIG. 1 is a perspective view of a razor storage device of the present invention;

FIG. 2 is a front elevational view thereof;

FIG. 3 is rear elevational view thereof;

FIG. 4 is a left side elevational view thereof;

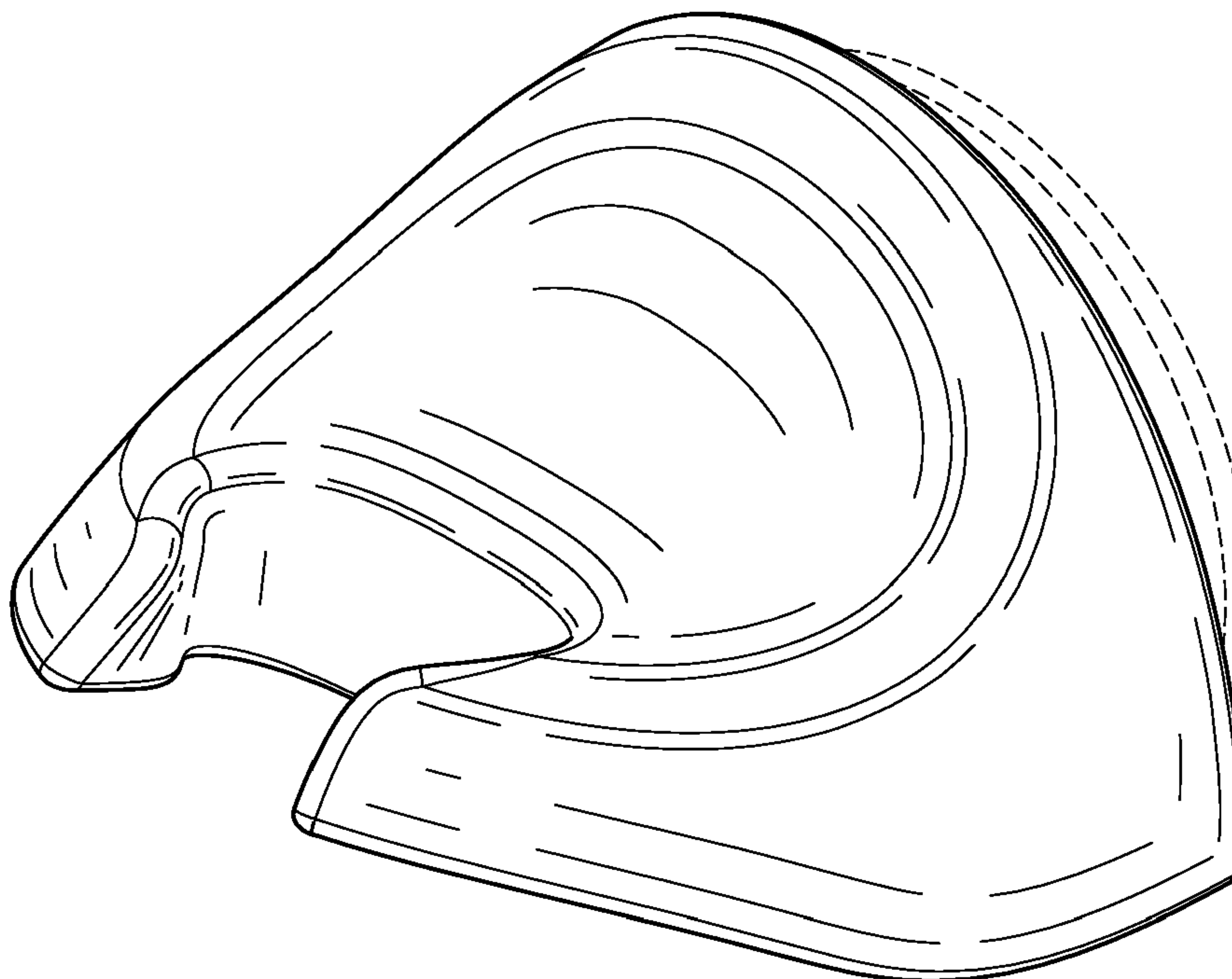
FIG. 5 is a right side elevational view thereof;

FIG. 6 is a top plan view thereof; and,

FIG. 7 is a bottom plan view thereof.

The broken lines are shown for illustrative purposes only and form no part of the claimed design.

**1 Claim, 4 Drawing Sheets**



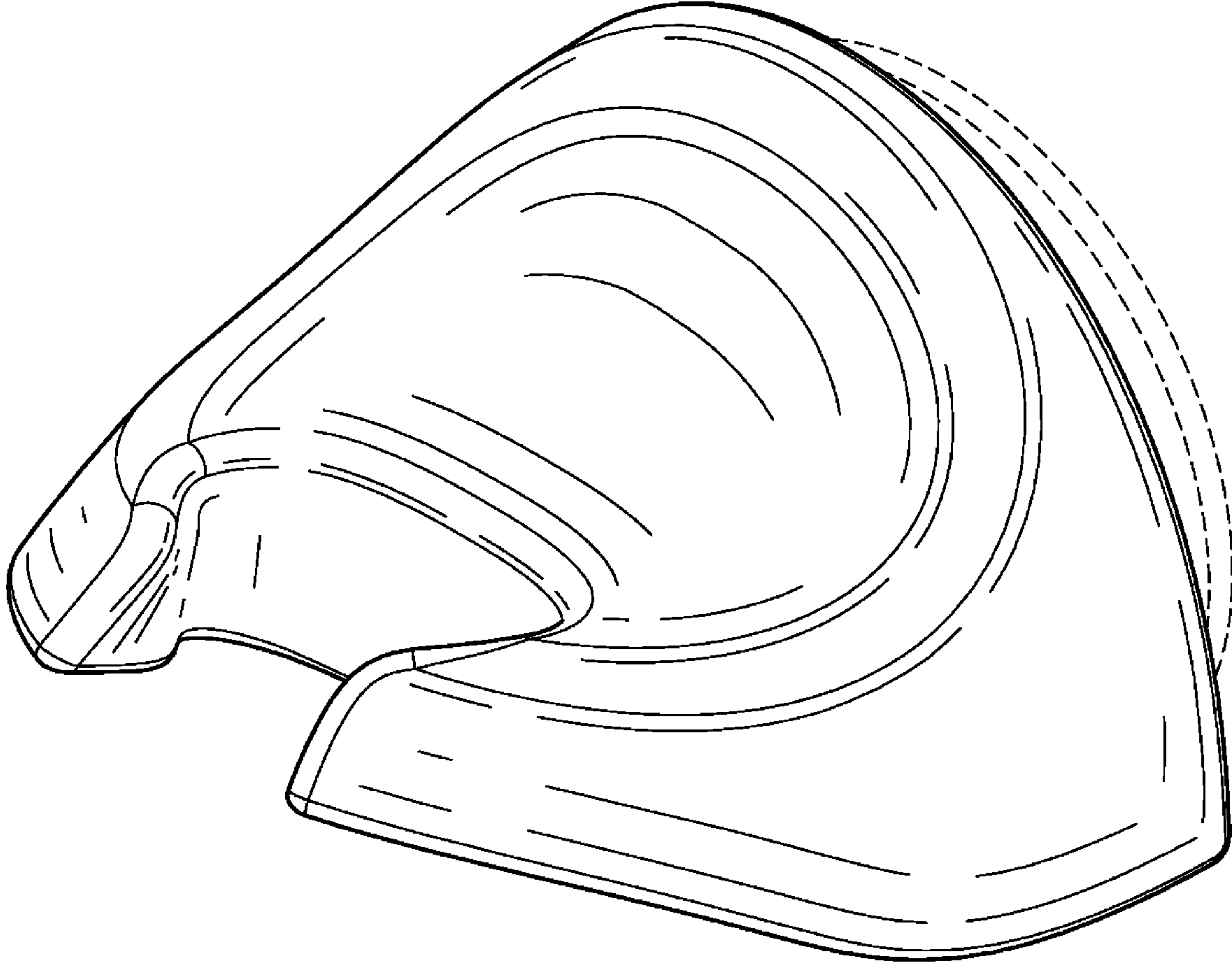


FIG. 1

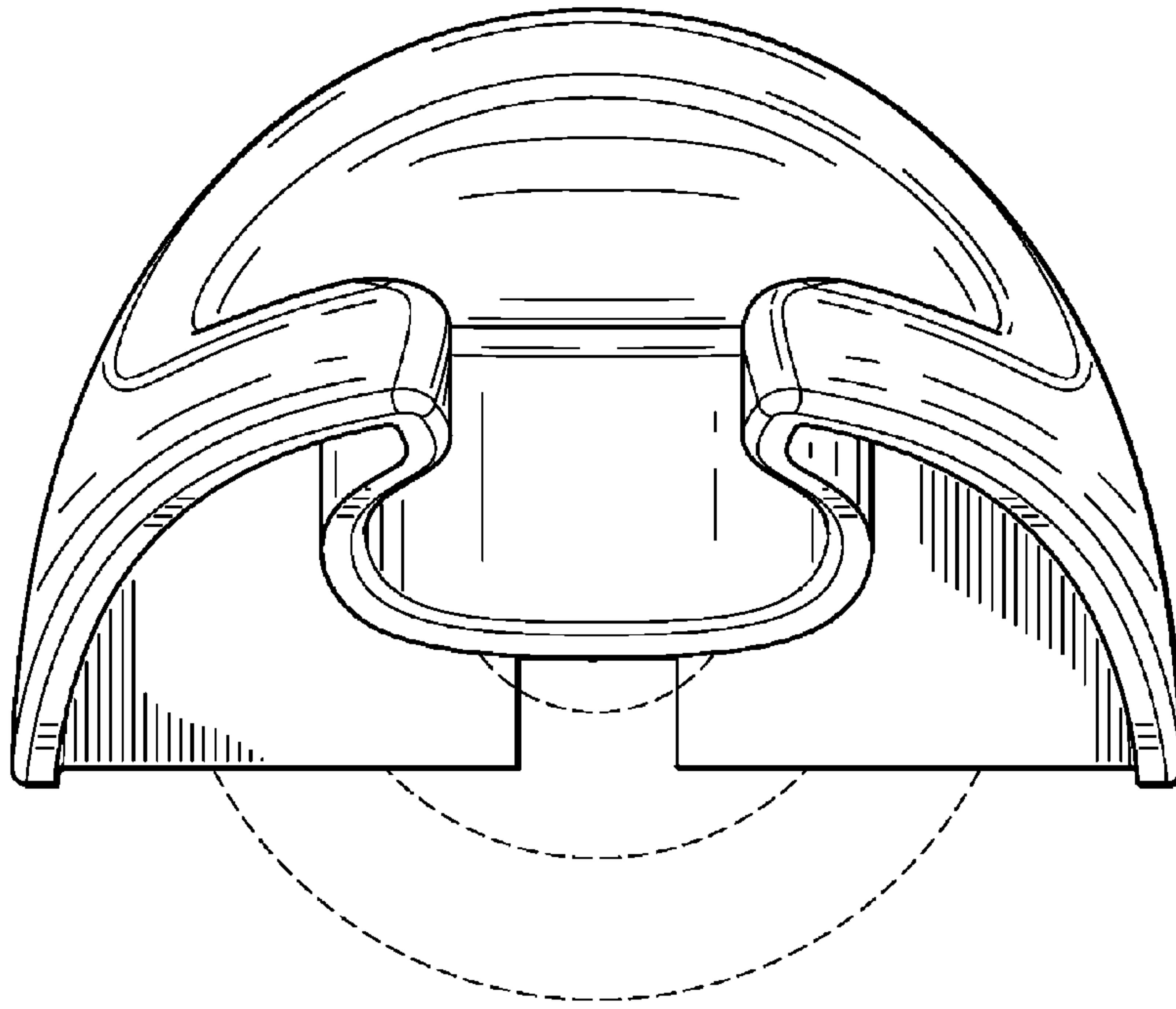


FIG. 2

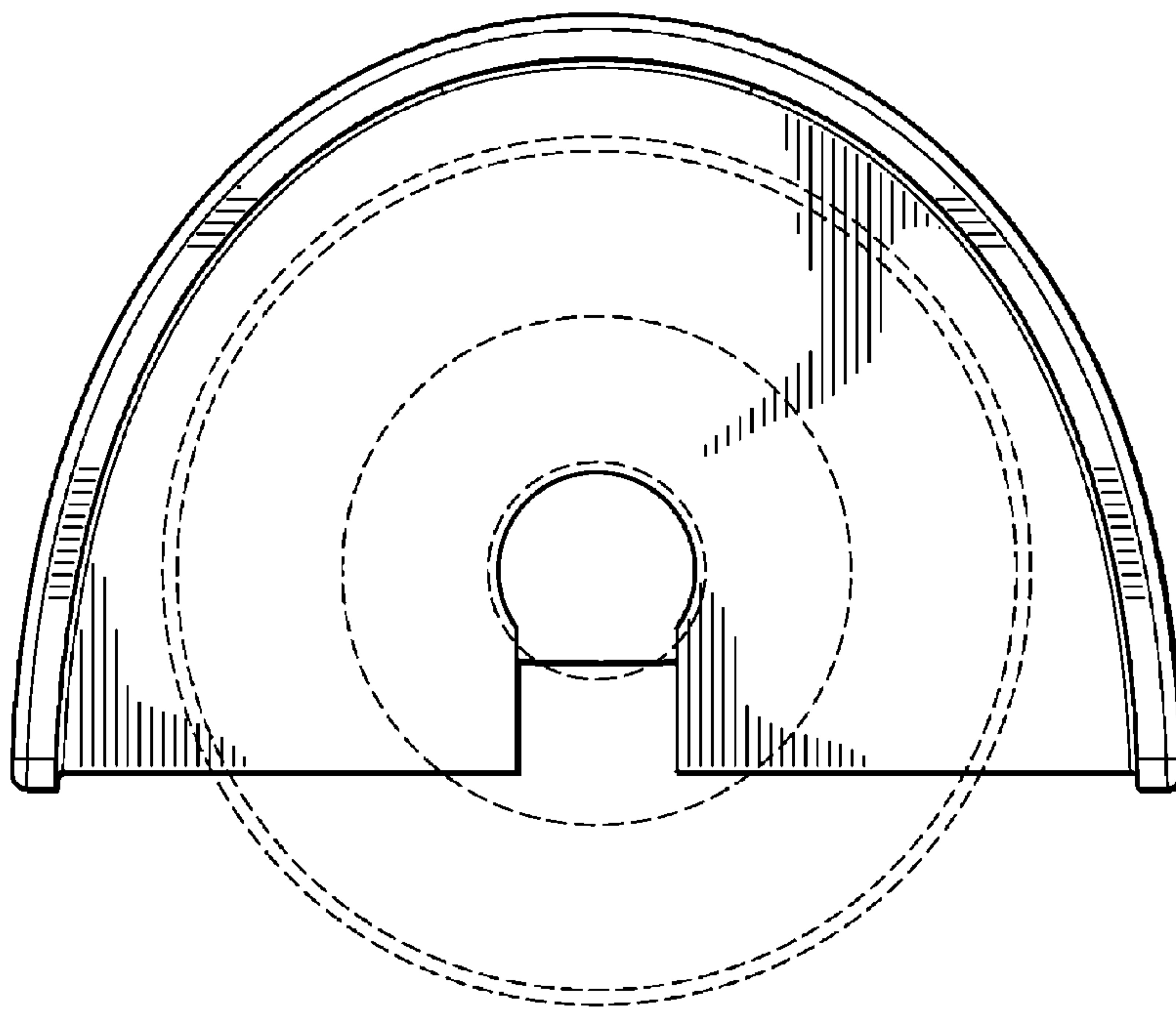


FIG. 3

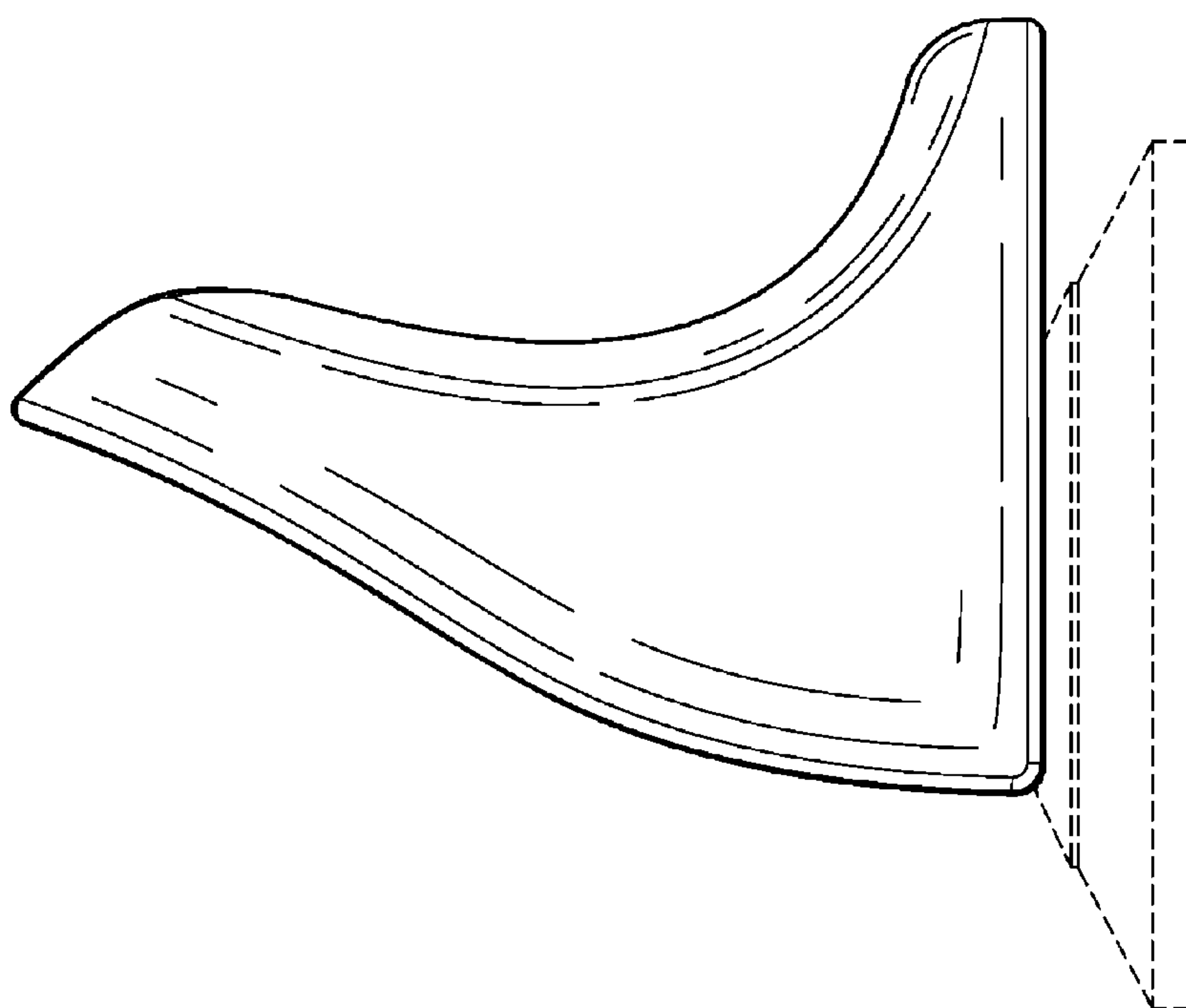


FIG. 4

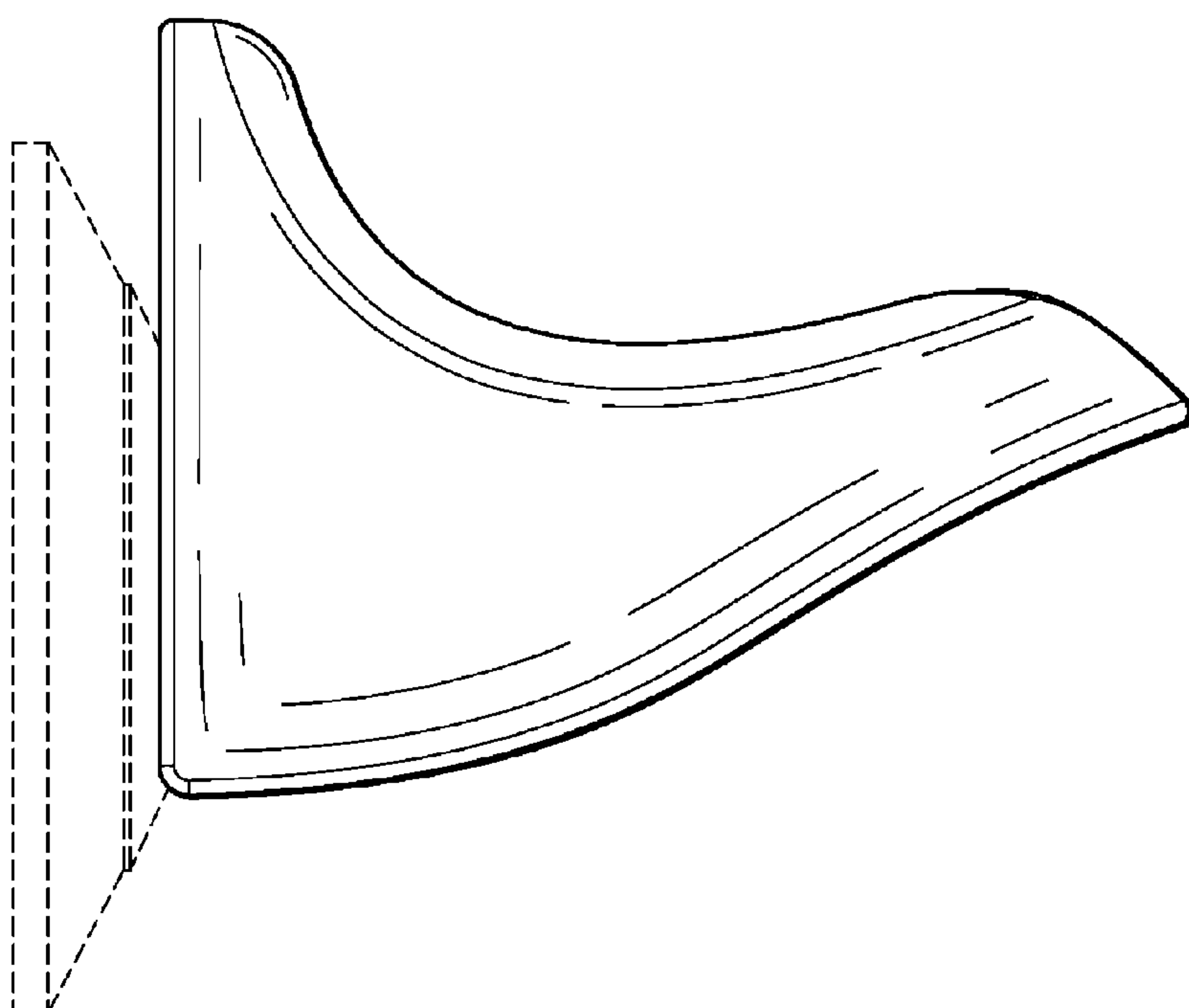


FIG. 5

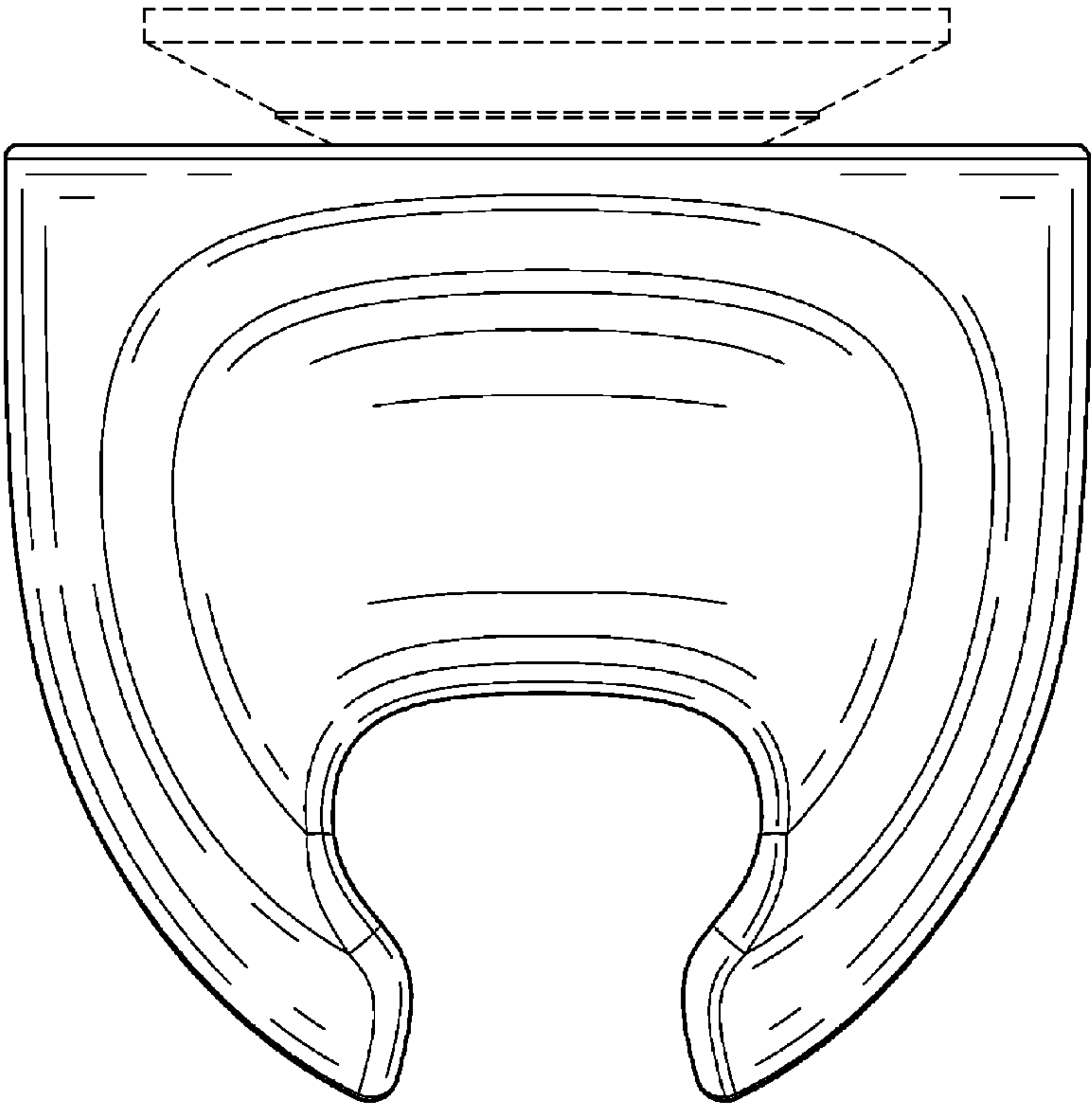


FIG. 6

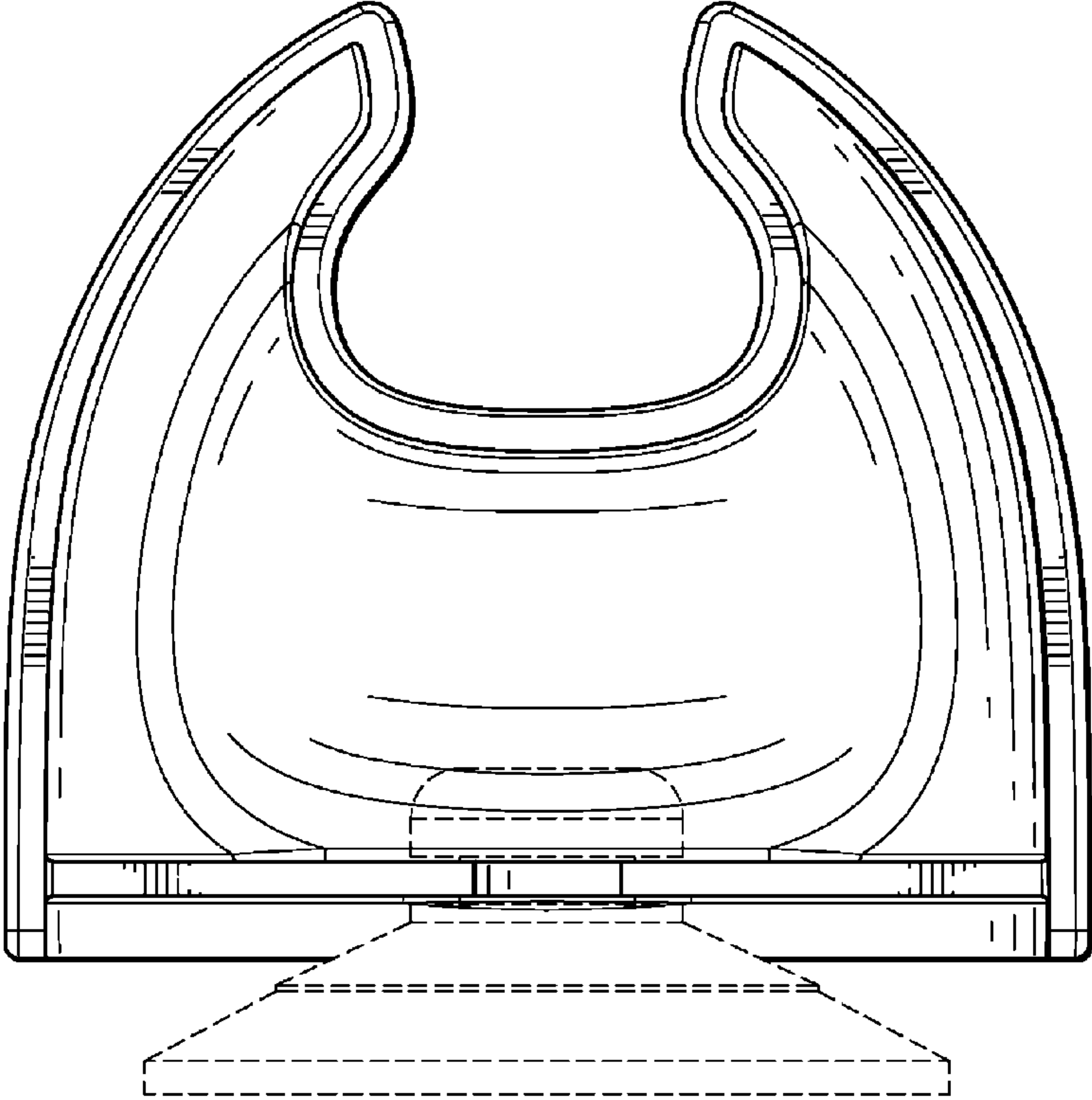


FIG. 7