



US00D632515S

(12) **United States Design Patent**
Cittadino et al.

(10) **Patent No.:** **US D632,515 S**

(45) **Date of Patent:** **** Feb. 15, 2011**

(54) **SHOWER CADDY**

(75) Inventors: **Kyle Cittadino**, Howell, NJ (US); **Nina Barnett**, Elkton, MD (US); **Joseph Vaccaro**, West Chester, PA (US); **Joe Webb**, Newark, DE (US)

(73) Assignee: **Zenith Products Corp.**, New Castle, DE (US)

(**) Term: **14 Years**

(21) Appl. No.: **29/369,030**

(22) Filed: **Sep. 1, 2010**

(51) **LOC (9) Cl.** **23-02**

(52) **U.S. Cl.** **D6/525**

(58) **Field of Classification Search** D6/524,
D6/525, 566, 536, 540; 211/13.1, 74, 71.01,
211/86.01, 75, 88.01, 90.01, 90.03, 106,
211/119, 126.1, 133.5, 181.1, 134

See application file for complete search history.

(56) **References Cited**

U.S. PATENT DOCUMENTS

D278,288 S *	4/1985	Talocci et al.	D6/525
D382,750 S *	8/1997	Andrus	D6/525
D388,642 S	1/1998	Winter	
D389,352 S	1/1998	Pagan-Demirtas	
D392,135 S	3/1998	Pagan-Demirtas et al.	
D394,771 S	6/1998	Hofman	
D395,773 S	7/1998	Hofman	
D395,971 S	7/1998	Hofman	
D396,157 S	7/1998	Hofman	
D404,948 S *	2/1999	Yemini	D6/525
D413,467 S *	9/1999	Patel et al.	D6/525
D415,916 S *	11/1999	Hofman et al.	D6/525
D417,990 S *	12/1999	Yemini	D6/525

D417,991 S	12/1999	Hofman et al.	
D473,084 S	4/2003	Suero, Jr.	
D475,560 S	6/2003	Suero, Jr.	
D485,104 S	1/2004	Suero, Jr.	
D485,462 S	1/2004	Suero, Jr.	
D494,793 S *	8/2004	Winkleman	D6/525
D496,549 S *	9/2004	Snell	D6/525
D513,373 S	1/2006	Harwanko	
D530,121 S *	10/2006	Snell	D6/525
D562,608 S	2/2008	Kramer	
D566,441 S *	4/2008	Dretzka	D6/525
D568,656 S	5/2008	Kramer	
D568,658 S *	5/2008	Yang et al.	D6/525
D569,149 S	5/2008	Walker	
D569,668 S	5/2008	Kramer	

* cited by examiner

Primary Examiner—Brian N Vinson

(74) *Attorney, Agent, or Firm*—Panitch Schwarze Belisario & Nadel LLP

(57) **CLAIM**

The ornamental design for a shower caddy, as shown and described.

DESCRIPTION

FIG. 1 is a top, front, and right side perspective view of a shower caddy showing our new design;

FIG. 2 is an additional top, front, and right side perspective view thereof;

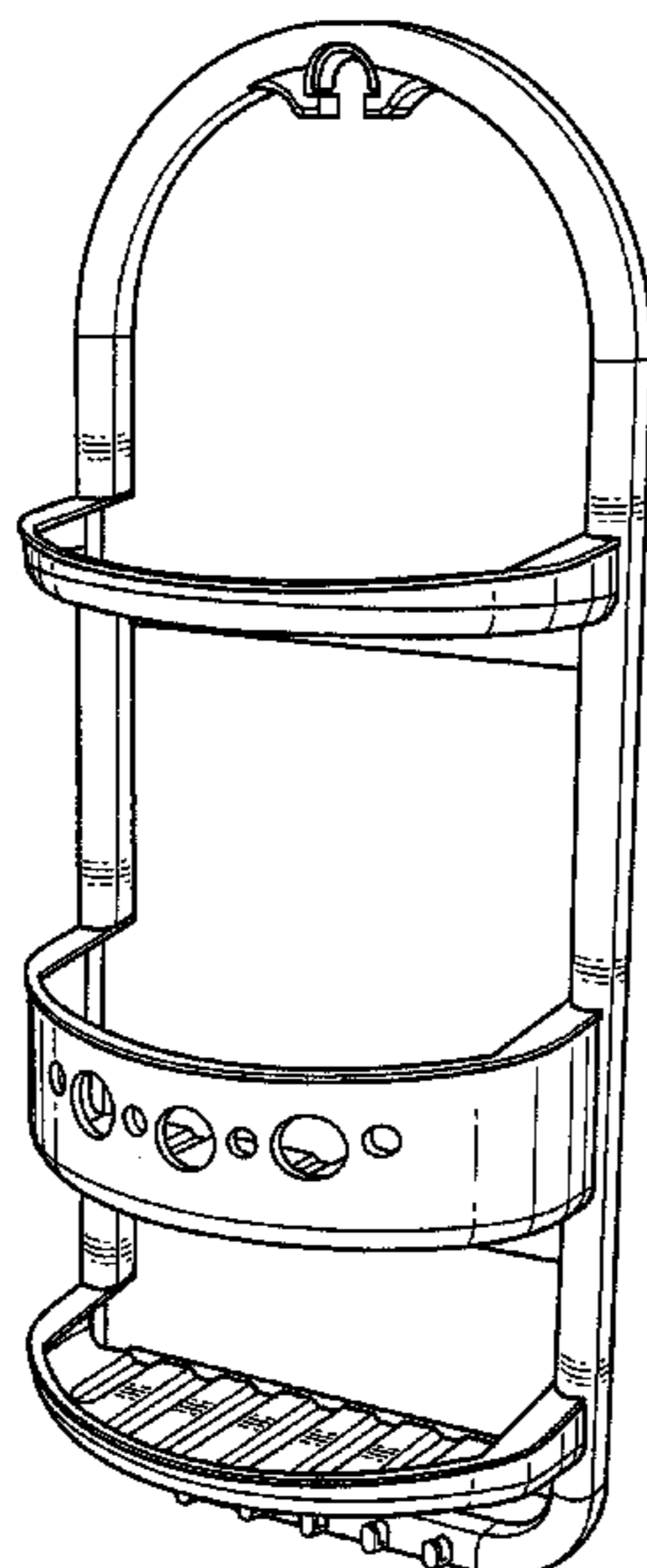
FIG. 3 is a top plan view thereof;

FIG. 4 is a bottom plan view thereof;

FIG. 5 is a front elevational view thereof, with the undisclosed rear portions forming no part of the claimed design; and,

FIG. 6 is a left side elevational view thereof.

1 Claim, 5 Drawing Sheets



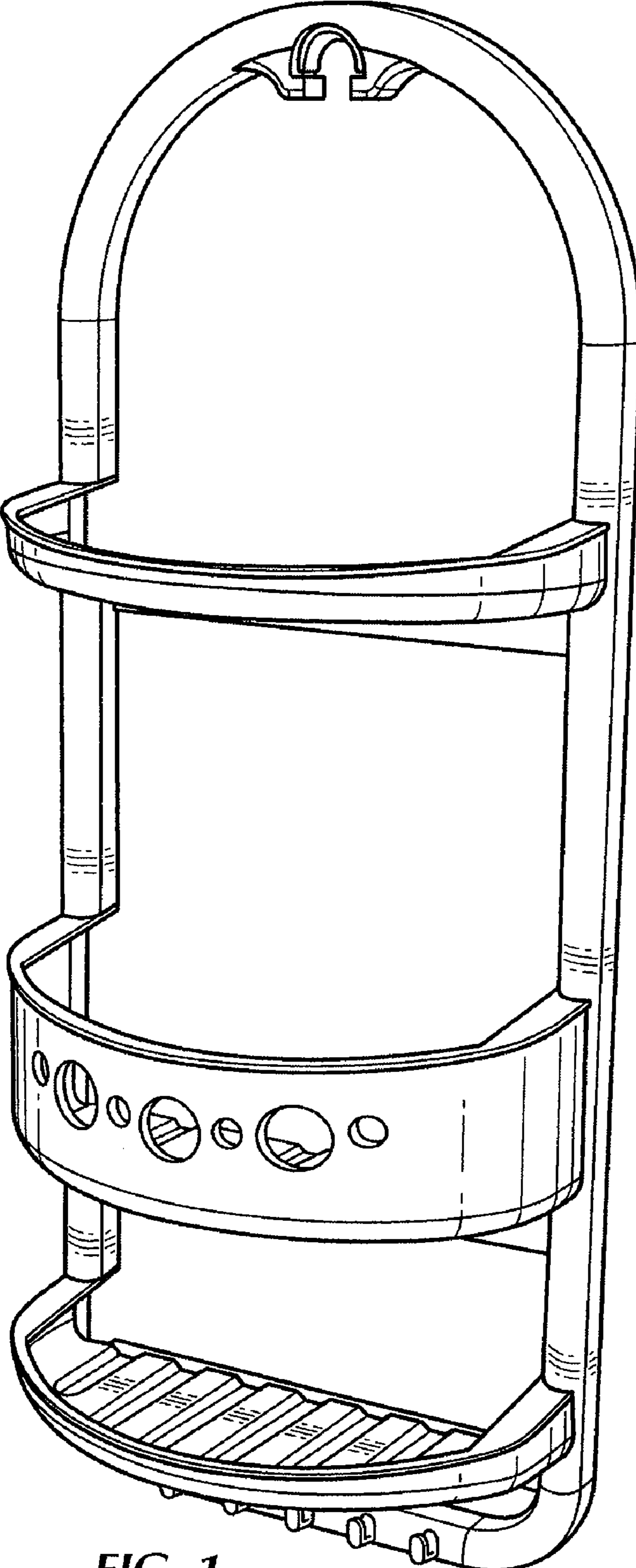


FIG. 1

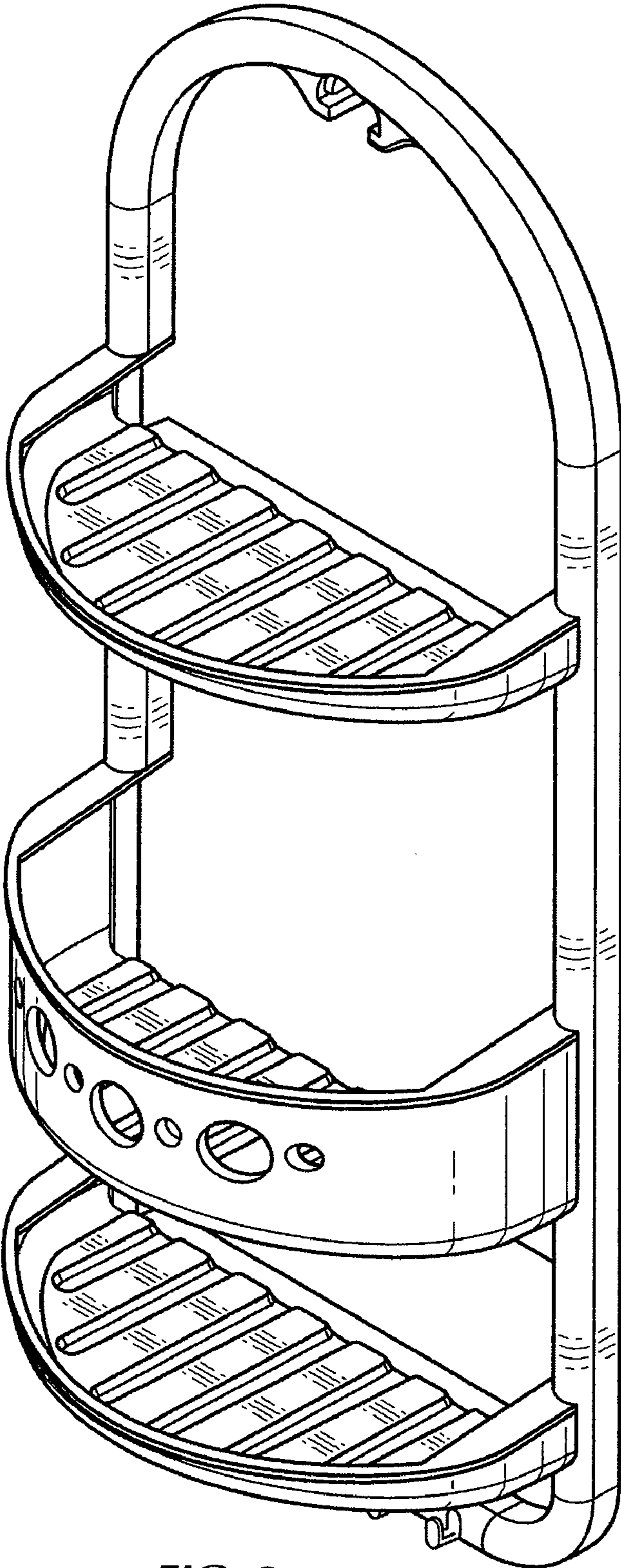


FIG. 2

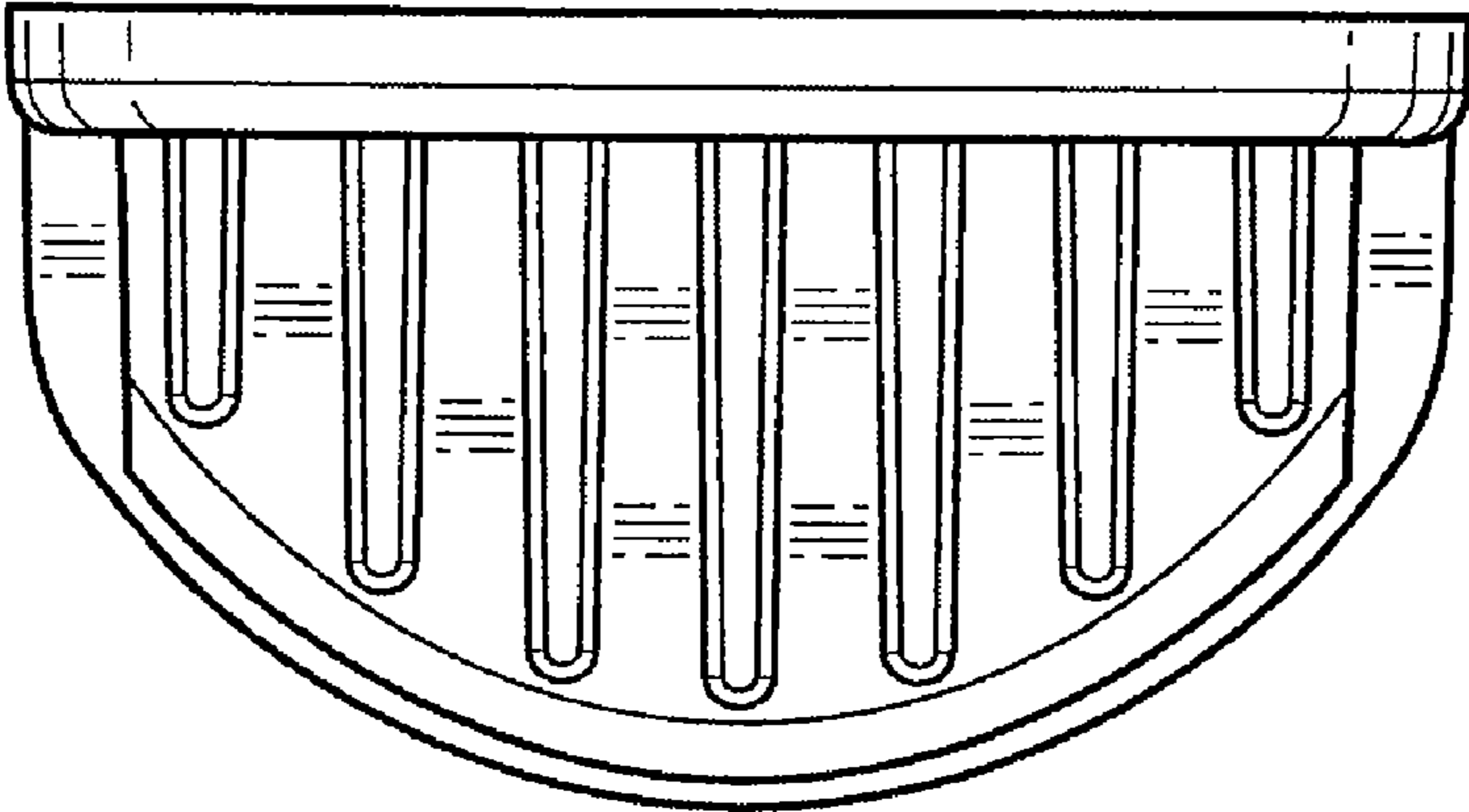


FIG. 3

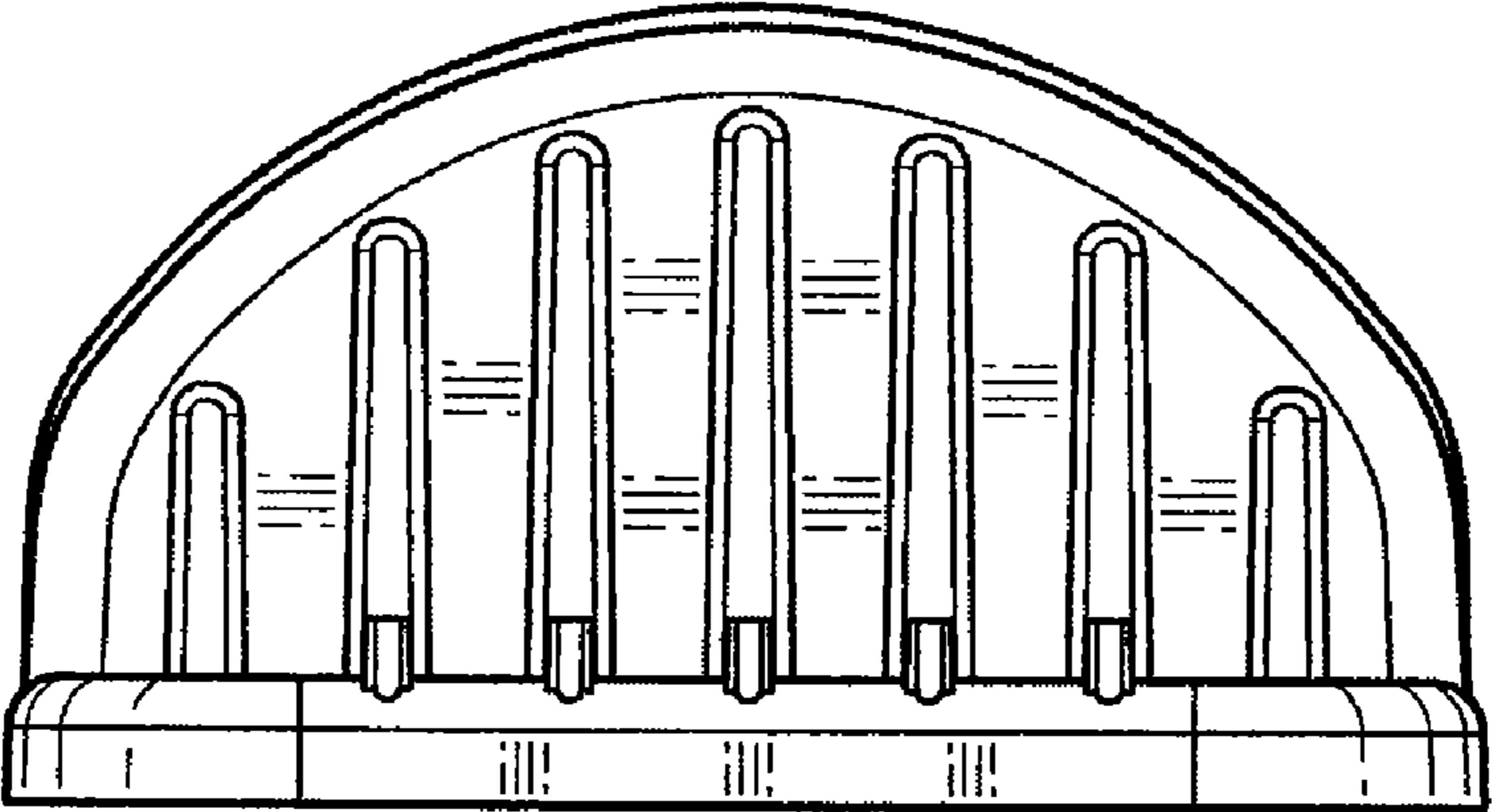


FIG. 4

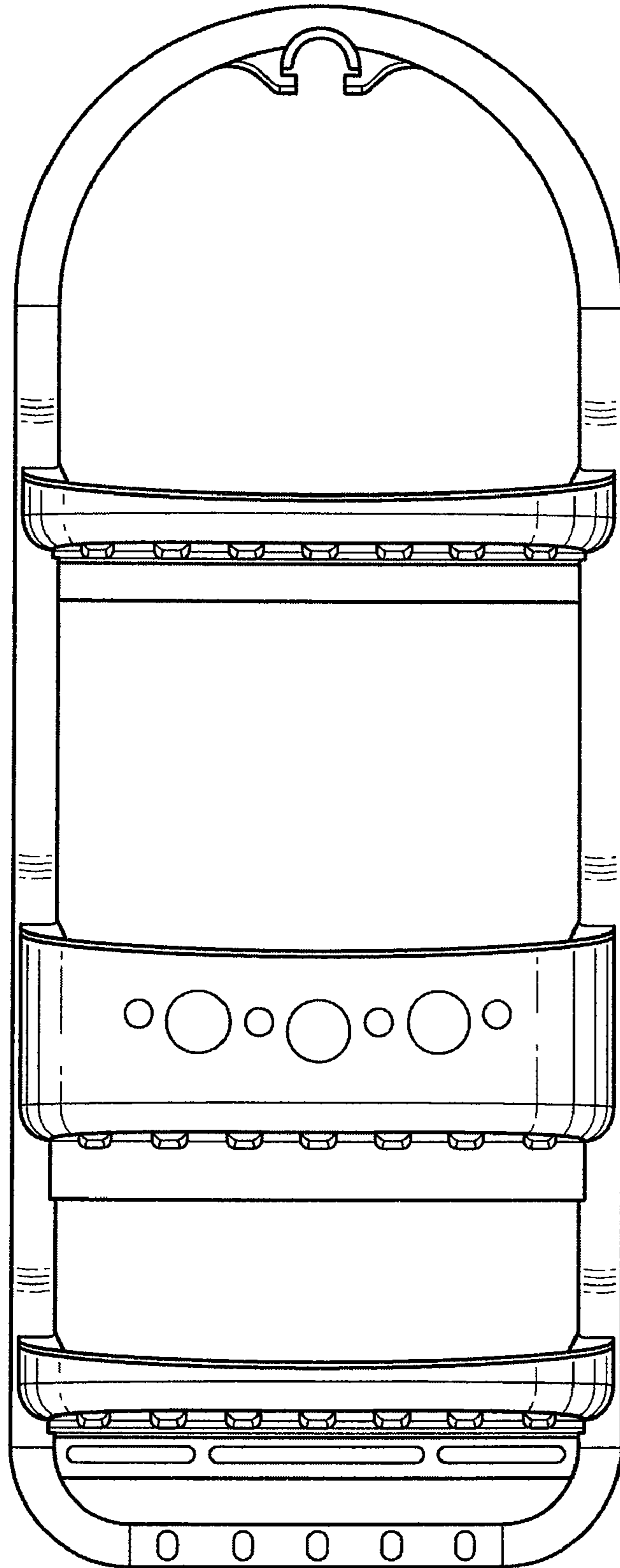


FIG. 5

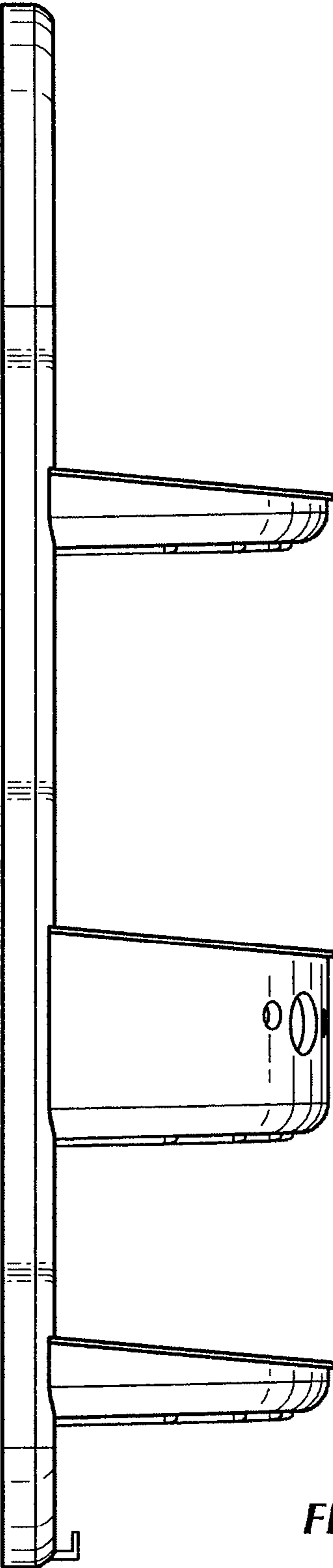


FIG. 6