



US00D632514S

(12) **United States Design Patent**
Didehvar et al.

(10) **Patent No.:** **US D632,514 S**

(45) **Date of Patent:** **** Feb. 15, 2011**

(54) **SHOWER CADDY**

(75) Inventors: **Kevin Didehvar**, Hockessin, DE (US);
Joseph Vaccaro, West Chester, PA (US)

(73) Assignee: **Zenith Products Corp.**, New Castle, DE (US)

(**) Term: **14 Years**

(21) Appl. No.: **29/368,348**

(22) Filed: **Aug. 23, 2010**

(51) **LOC (9) Cl.** **23-02**

(52) **U.S. Cl.** **D6/525**

(58) **Field of Classification Search** D6/524,
D6/525, 566, 536, 540; 211/13.1, 74, 71.01,
211/86.01, 75, 88.01, 90.01, 90.03, 106,
211/119, 126.1, 133.5, 181.1, 134
See application file for complete search history.

(56) **References Cited**

U.S. PATENT DOCUMENTS

4,541,131	A	9/1985	Sussman	
5,255,401	A	10/1993	Sambrookes et al.	
5,588,543	A	12/1996	Finger	
D396,157	S	7/1998	Hofman	
D397,567	S	9/1998	Hofman	
D446,670	S	8/2001	Emery et al.	
6,520,351	B1	2/2003	Zadro	
D473,411	S	4/2003	Walker	
6,581,790	B1	6/2003	Zadro	
D479,073	S	9/2003	Snell	
D479,074	S	9/2003	Snell	
D512,861	S	12/2005	Rosen	
D552,391	S	10/2007	Rosen	
D552,393	S	10/2007	Rosen	
D557,050	S	12/2007	Dretzka	
D562,608	S	2/2008	Kramer	
D564,271	S	3/2008	Snider	
D564,816	S	3/2008	Snider	
D566,439	S *	4/2008	Dretzka	D6/525
D566,441	S	4/2008	Dretzka	
D568,657	S	5/2008	Snider	
D572,061	S *	7/2008	Snider	D6/525
D572,062	S	7/2008	Snider	
D575,087	S *	8/2008	Ghiorghie	D6/525

7,571,822	B2	8/2009	Metcalf	
D603,198	S *	11/2009	Guindi	D6/525
D615,333	S *	5/2010	Snell	D6/525
D617,128	S	6/2010	Guindi	
2008/0000859	A1	1/2008	Yang et al.	
2008/0035592	A1	2/2008	Yang et al.	
2009/0188880	A1	7/2009	Yang et al.	
2010/0102014	A1	4/2010	Yang	

* cited by examiner

Primary Examiner—Brian N Vinson

(74) *Attorney, Agent, or Firm*—Panitch Schwarze Belisario & Nadel LLP

(57) **CLAIM**

The ornamental design for a shower caddy, as shown and described.

DESCRIPTION

FIG. 1 is a front perspective view of the shower caddy, showing our design in a closed position;

FIG. 2 is a front elevational view thereof;

FIG. 3 is a rear elevation view thereof;

FIG. 4 is a left side elevational view thereof;

FIG. 5 is a right side elevational view thereof;

FIG. 6 is a bottom plan view thereof; and

FIG. 7 is a top plan view thereof.

FIG. 8 is a front perspective view of the shower caddy, showing our design in an open position;

FIG. 9 is a front elevational view thereof;

FIG. 10 is a rear elevation view thereof;

FIG. 11 is a left side elevational view thereof;

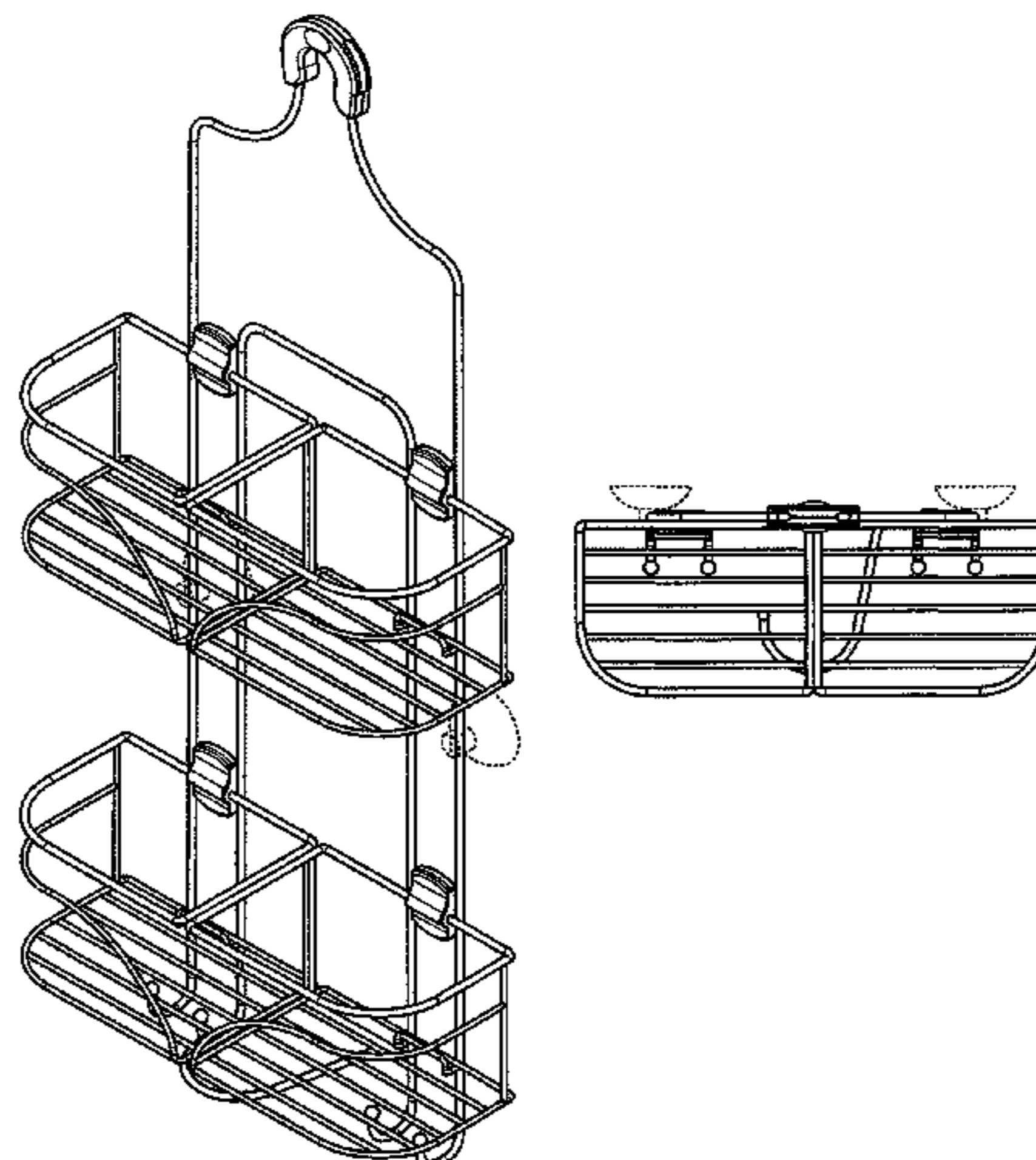
FIG. 12 is a right side elevational view thereof;

FIG. 13 is a bottom plan view thereof; and,

FIG. 14 is a top plan view thereof.

The broken lines in the figures are for illustrative purposes only and form no part of the claimed design.

1 Claim, 10 Drawing Sheets



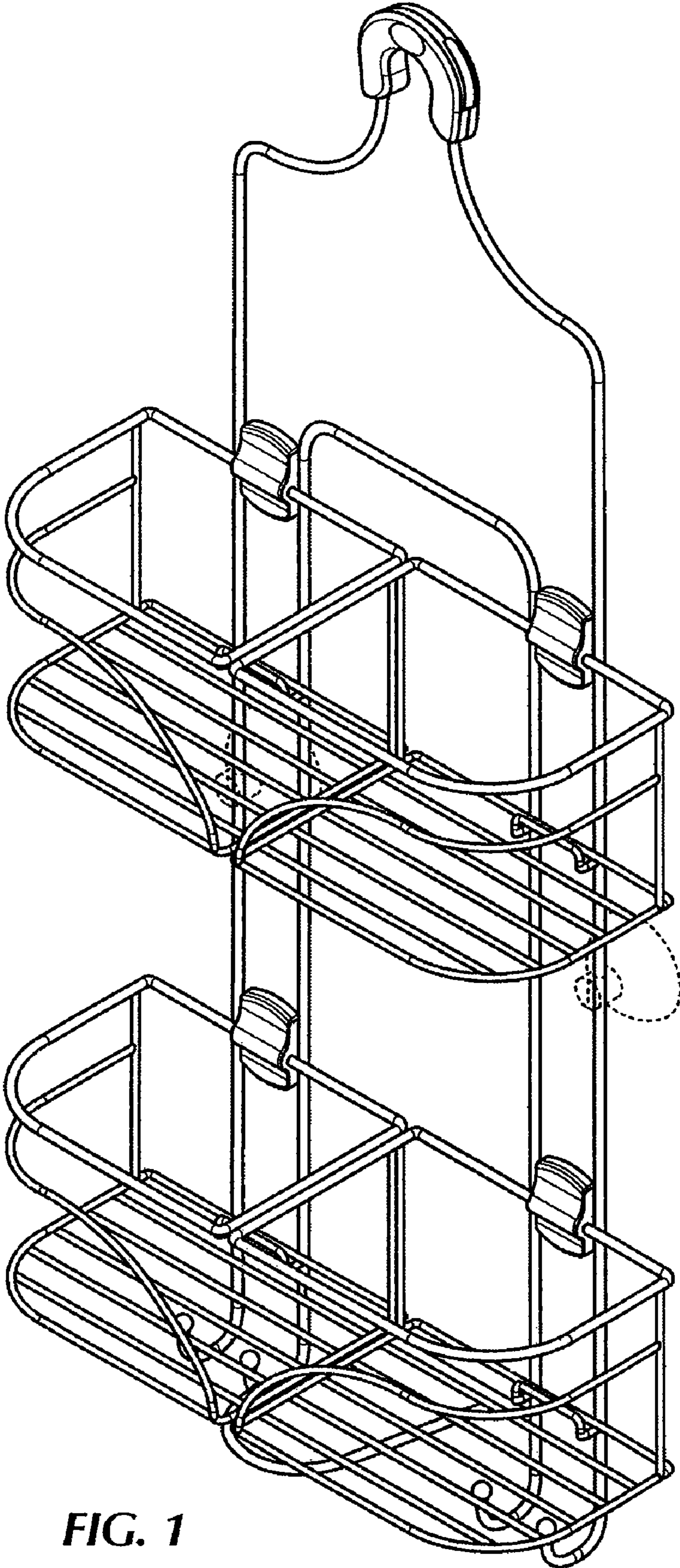


FIG. 1

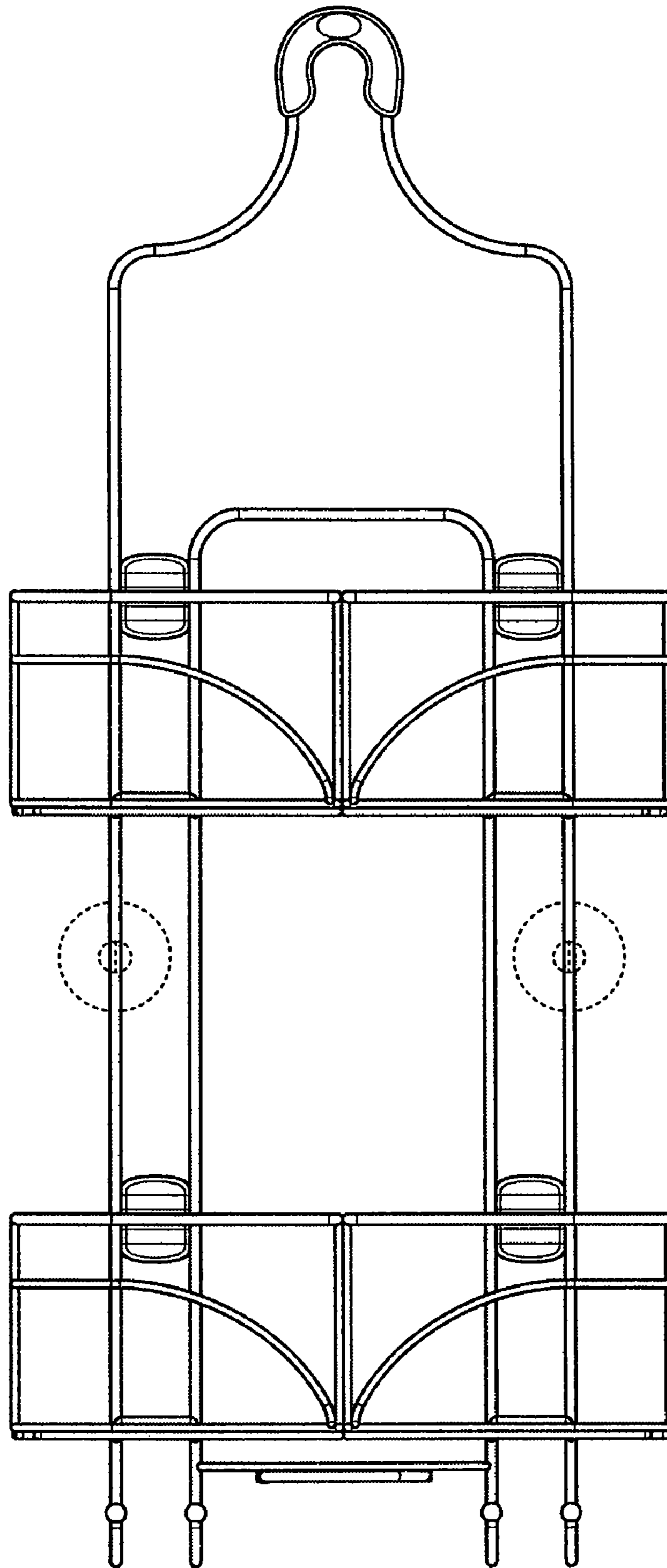


FIG. 2

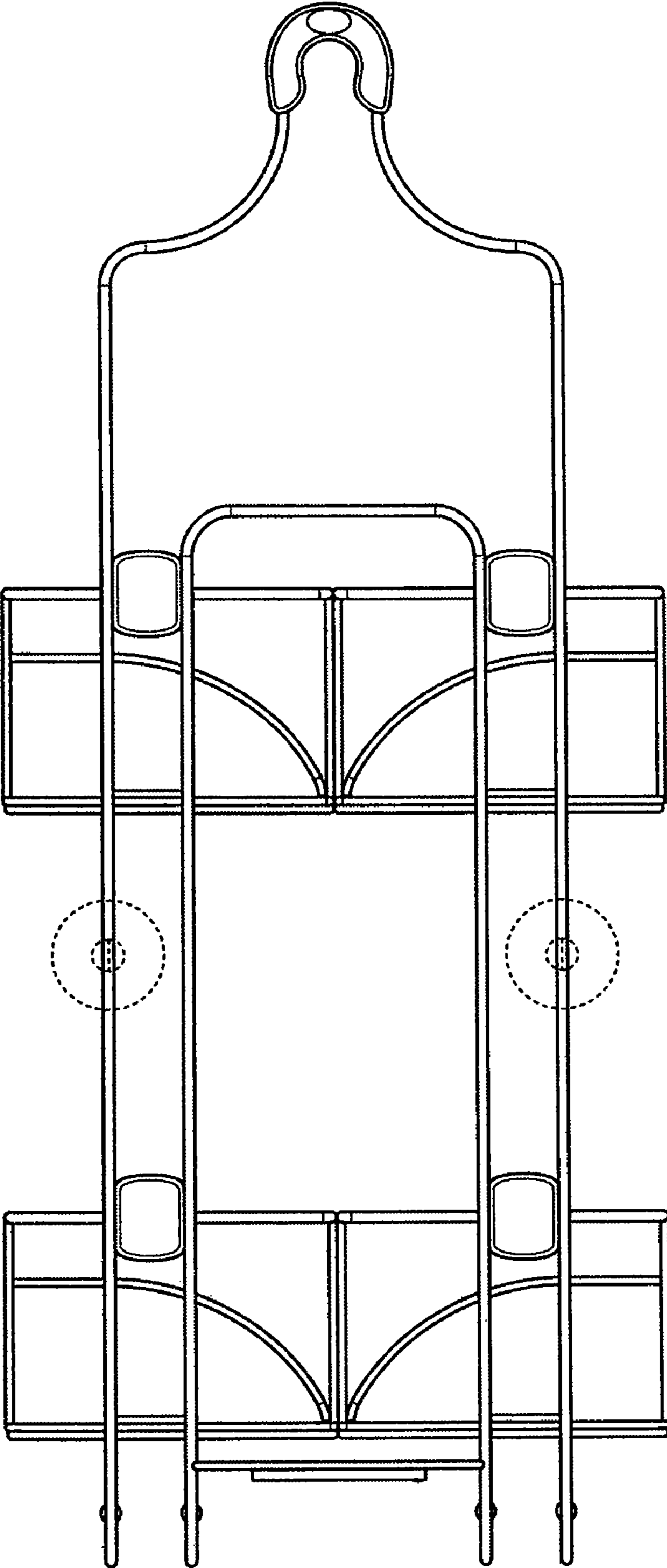


FIG. 3

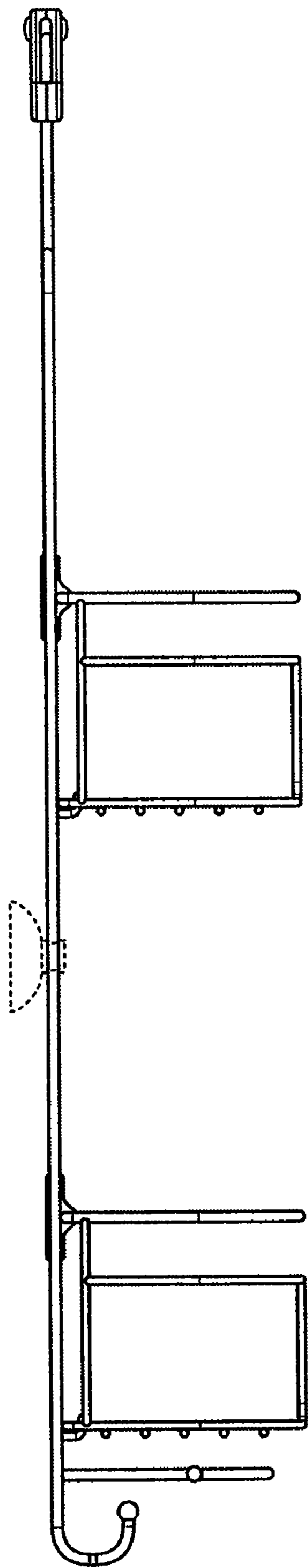


FIG. 4

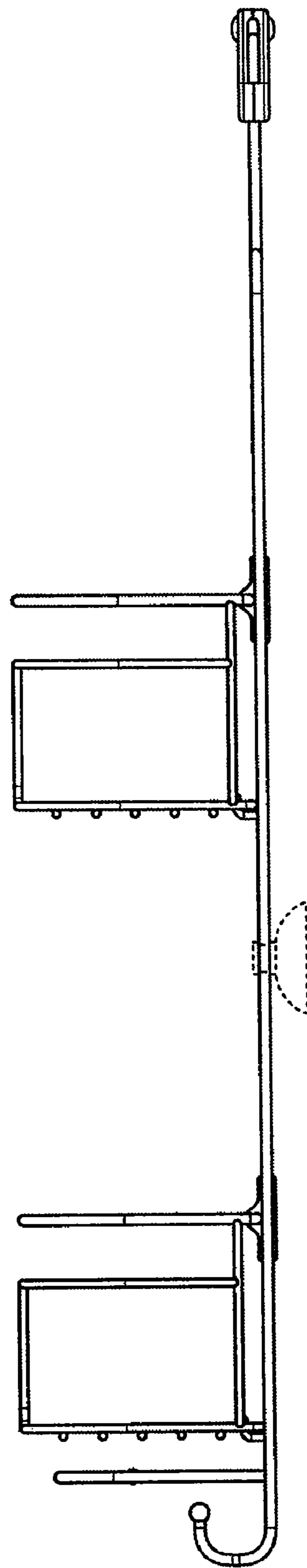


FIG. 5

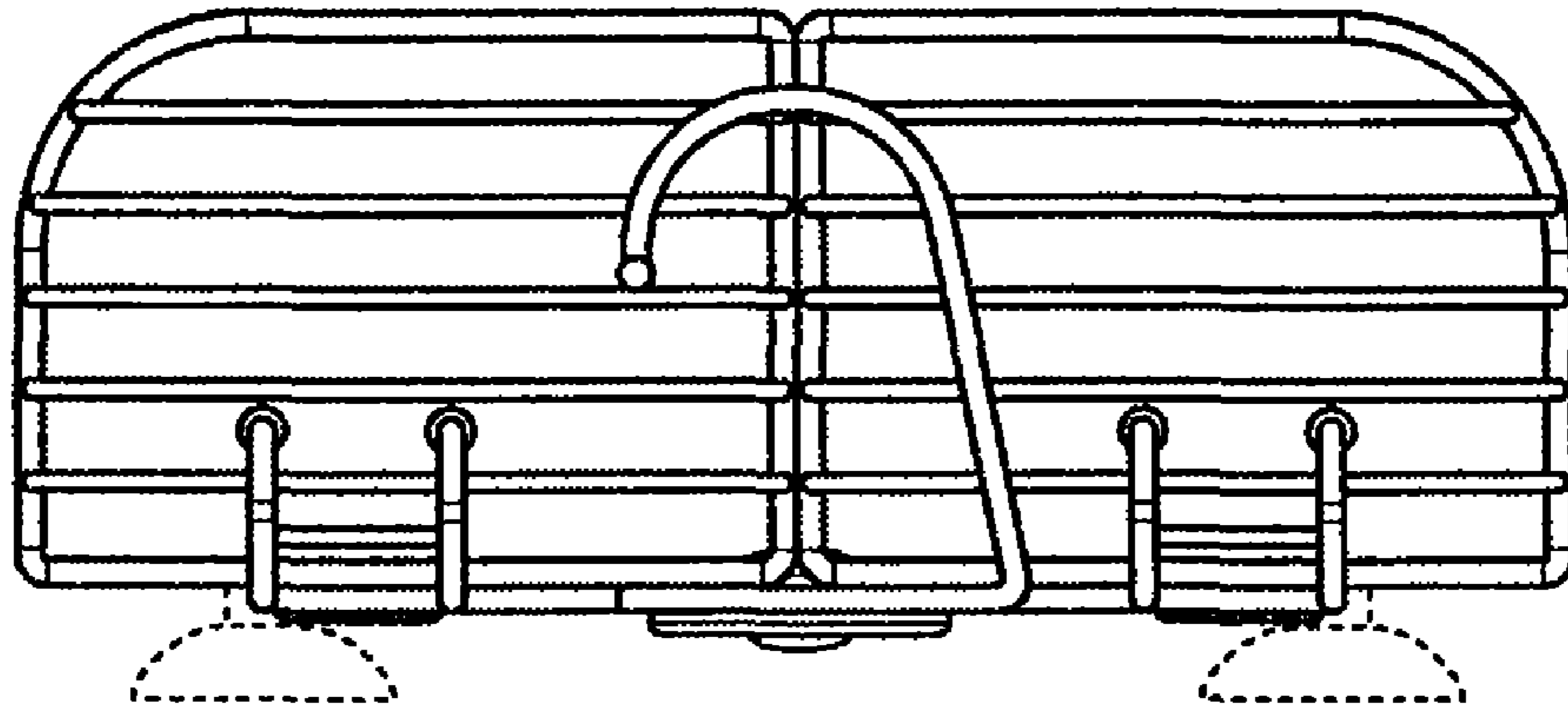


FIG. 6

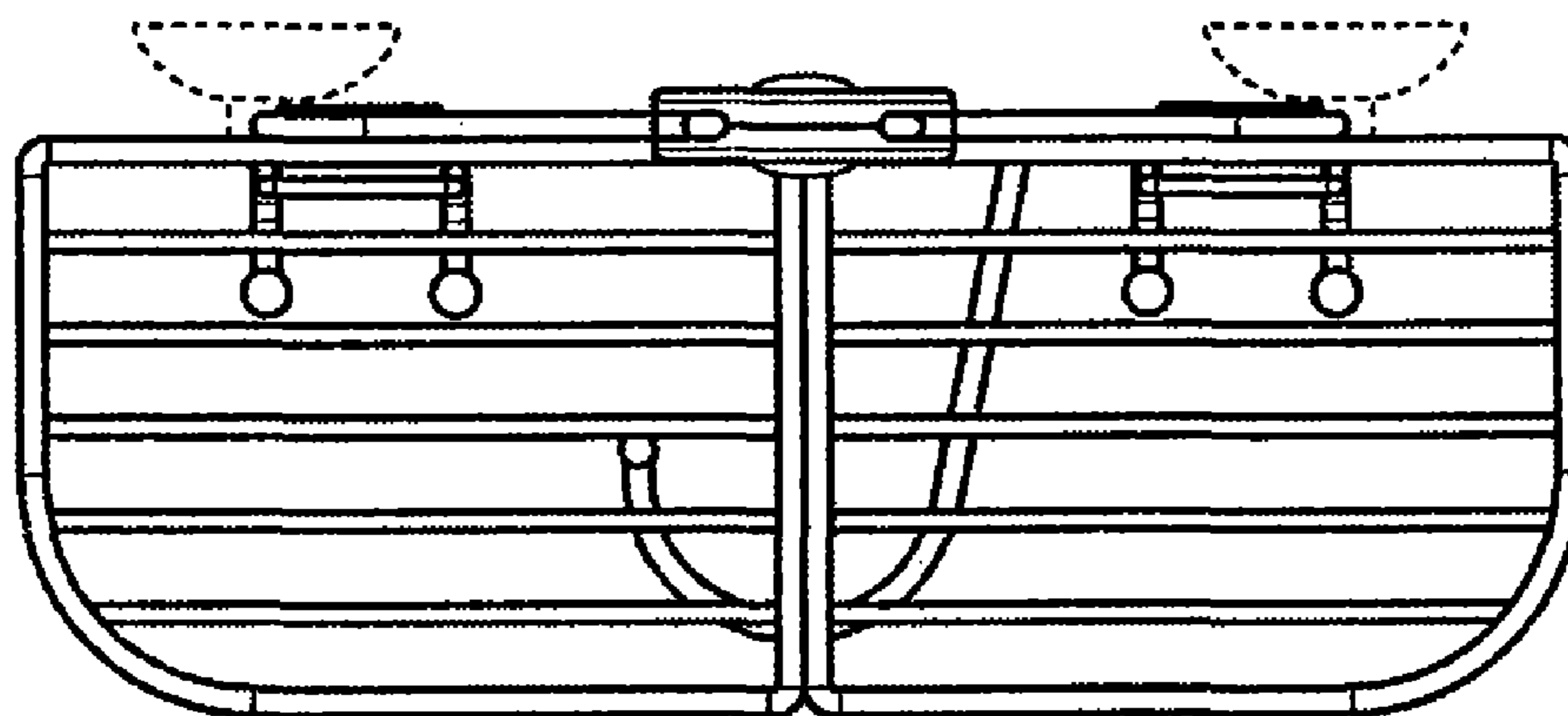


FIG. 7

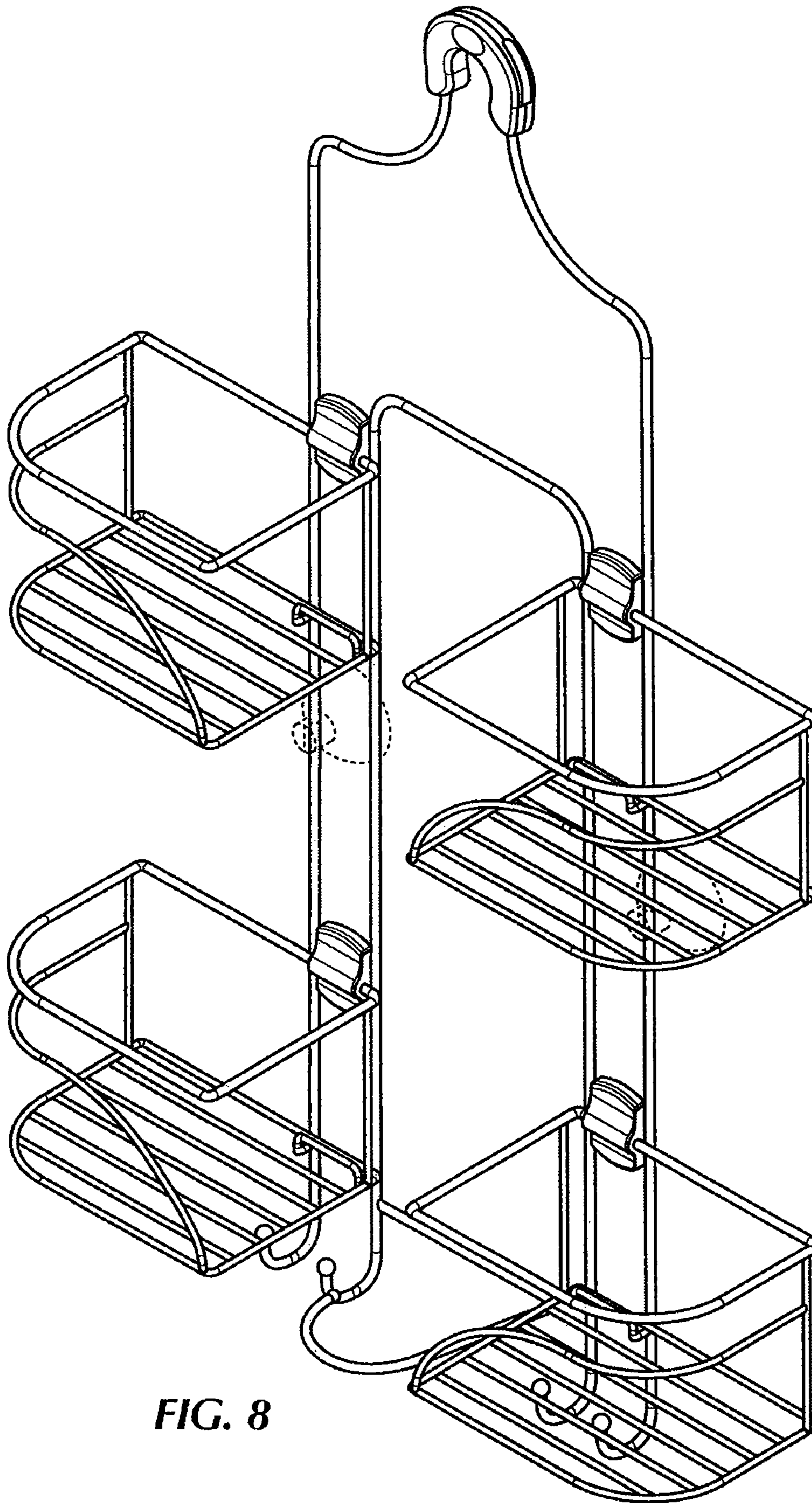


FIG. 8

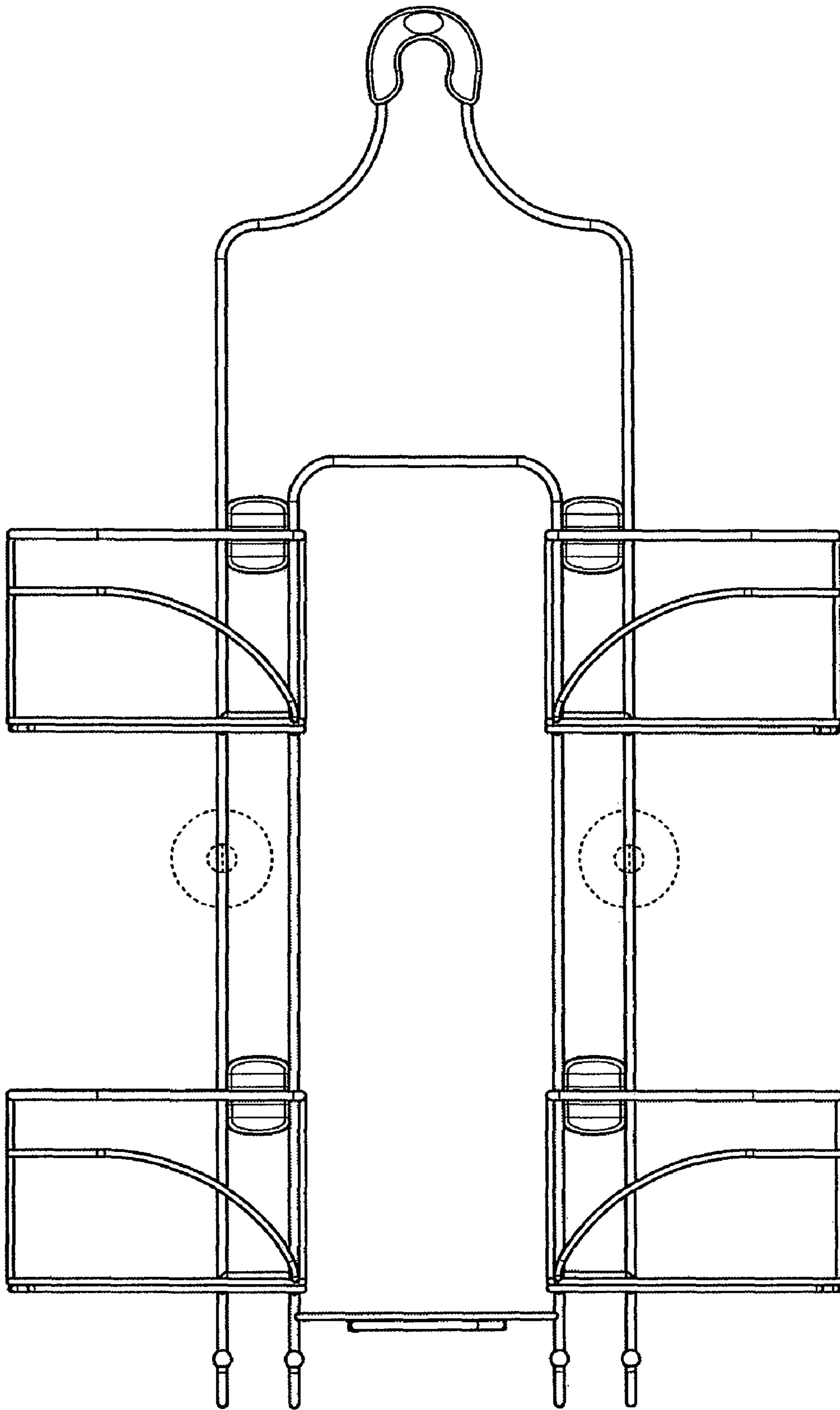


FIG. 9

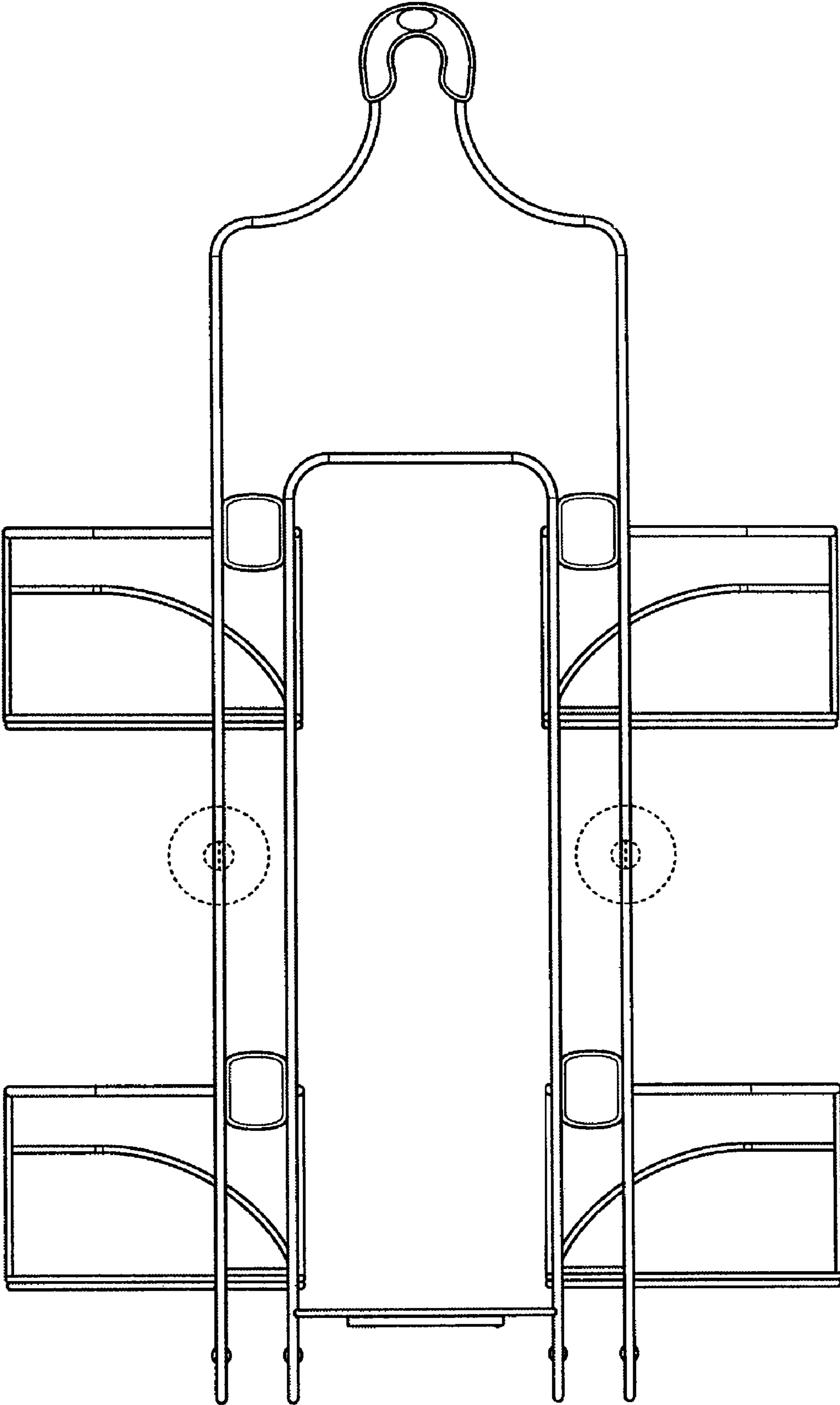


FIG. 10

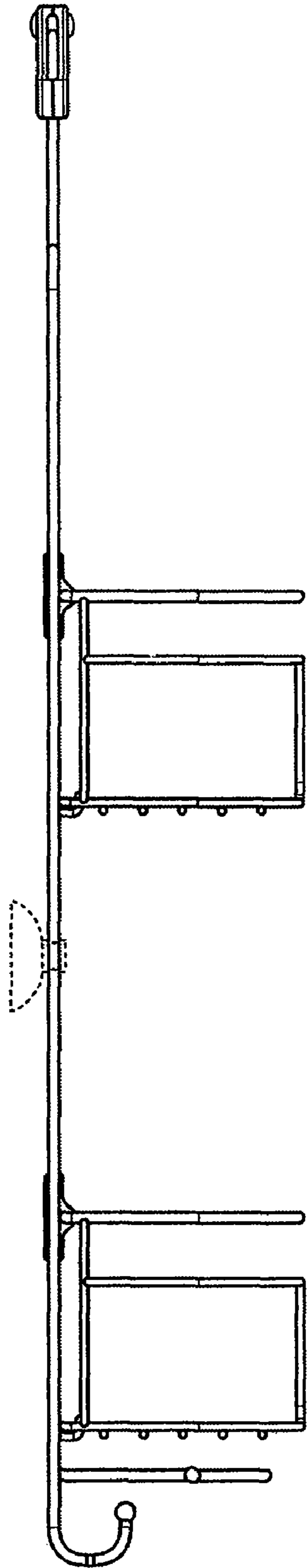


FIG. 11

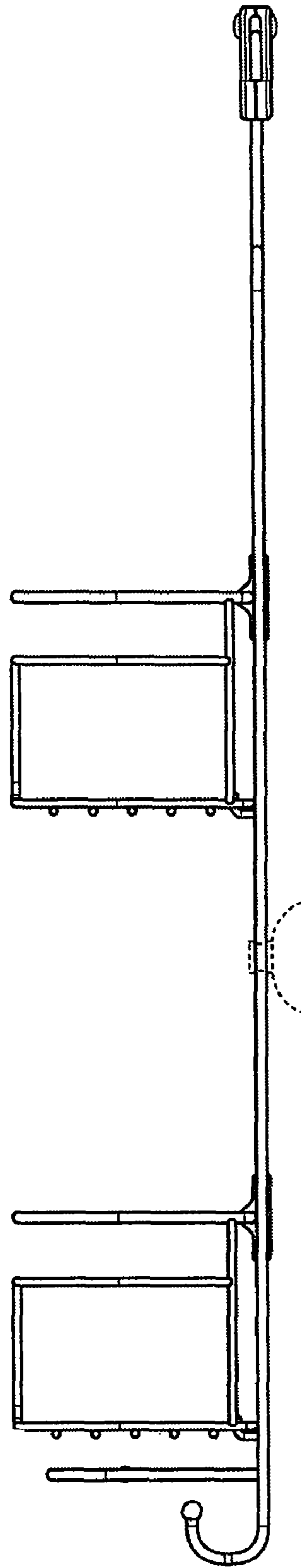


FIG. 12

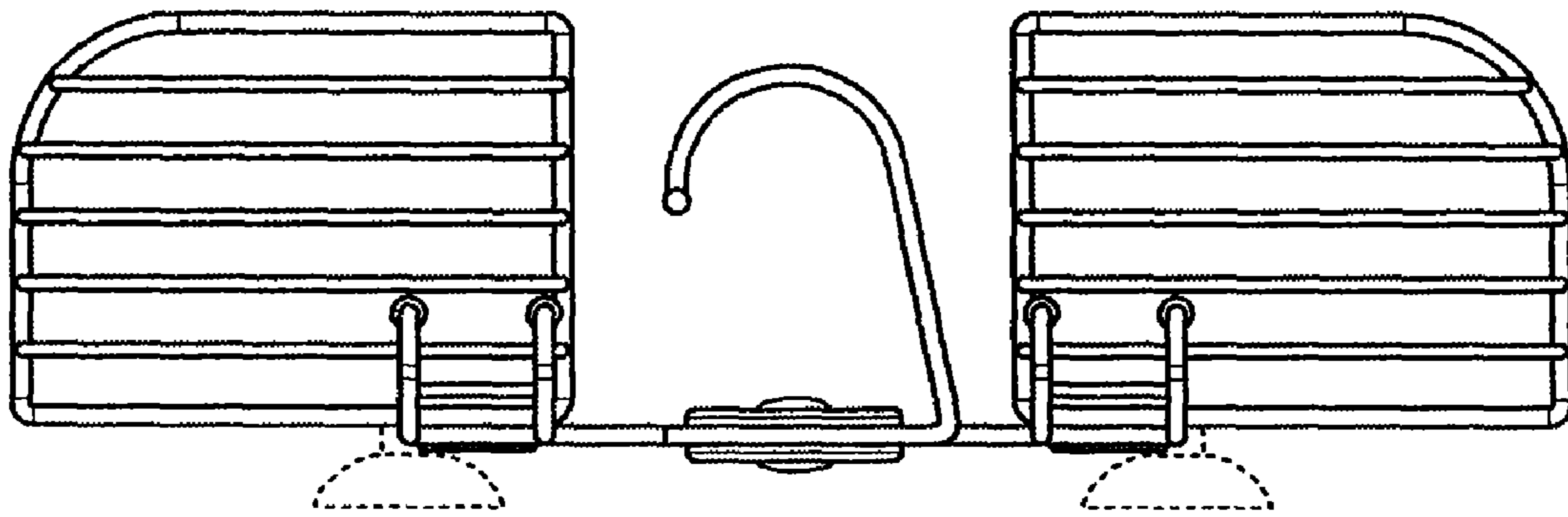


FIG. 13

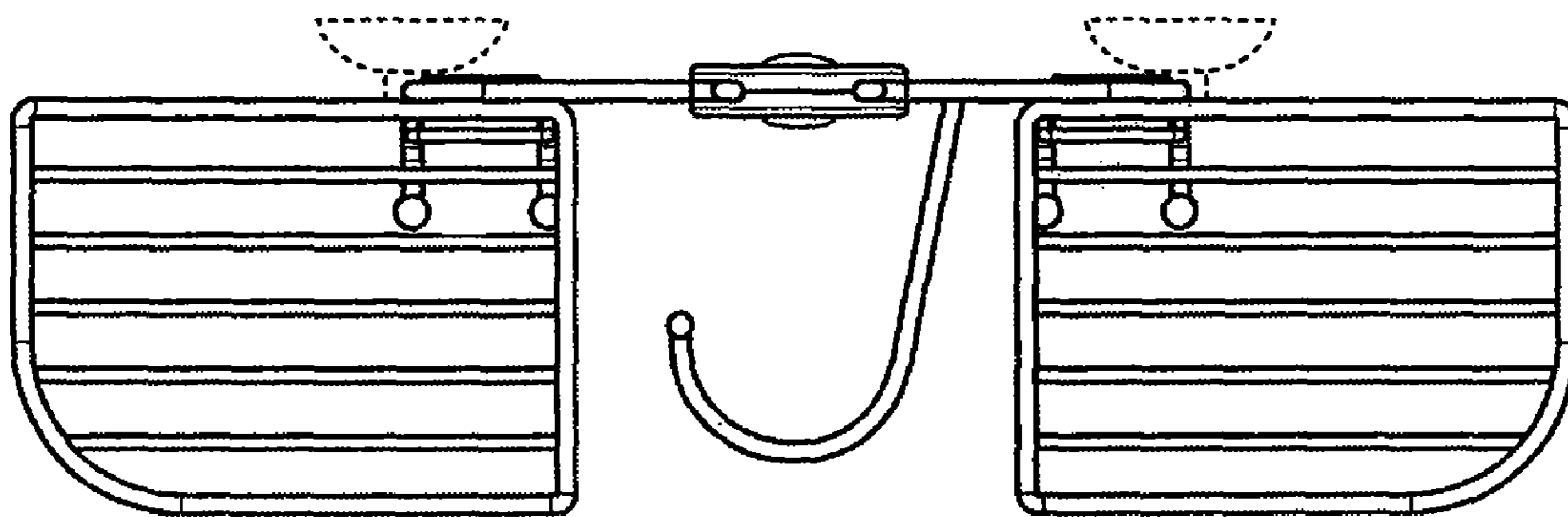


FIG. 14