



US00D632512S

(12) **United States Design Patent**  
**Bejdova**

(10) **Patent No.:** **US D632,512 S**

(45) **Date of Patent:** **\*\* Feb. 15, 2011**

(54) **REPLACEMENT SPRING ACTION ROLLER**

(57) **CLAIM**

(76) **Inventor:** **Drahoslava Bejdova**, 496 Autumn Oaks Pl., Lake Mary, FL (US) 32746

The ornamental design for a replacement spring action roller, as shown and described.

(\*\*) **Term:** **14 Years**

**DESCRIPTION**

(21) **Appl. No.:** **29/370,846**

FIG. 1 is a top view of replacement spring action roller showing my new design

(22) **Filed:** **Sep. 13, 2010**

FIG. 2 is a front view of a replacement spring action roller showing my new design

(51) **LOC (9) Cl.** ..... **23-02**

FIG. 3 is a left side of a replacement spring action roller showing my new design

(52) **U.S. Cl.** ..... **D6/523**

(58) **Field of Classification Search** ..... D6/518-523;  
206/389, 391; 211/13.1, 59.1, 45, 890.1;  
242/570, 590, 597.7, 599.1, 599.3; 248/309.1,  
248/309.2

FIG. 4 is a right side view of a replacement spring action roller showing my new design

See application file for complete search history.

FIG. 5 is a front perspective view of a replacement spring action roller showing my new design

(56) **References Cited**

FIG. 6 is a left side perspective view of a replacement spring action roller showing my new design

**U.S. PATENT DOCUMENTS**

FIG. 7 is a front perspective view of a second embodiment of replacement spring action roller showing my new design

2,522,109	A *	9/1950	Foltis	.....	242/599.3
D296,963	S *	8/1988	Smallwood	.....	D6/523
D324,618	S *	3/1992	Morand	.....	D6/523
5,340,047	A *	8/1994	Heller	.....	242/599.1
D405,305	S *	2/1999	Hobgood	.....	D6/523
D422,819	S *	4/2000	Fong	.....	D6/523
D427,828	S *	7/2000	Senecal, Jr.	.....	D6/523
D495,176	S *	8/2004	Wolpert et al.	.....	D6/523
D514,856	S *	2/2006	Ferrer Beltran	.....	D6/523
D532,229	S *	11/2006	Hoernig et al.	.....	D6/523

FIG. 8 is a left side perspective view of a second embodiment of replacement spring action roller showing my new design

FIG. 9 is a front perspective view of a third embodiment of replacement spring action roller showing my new design; and,

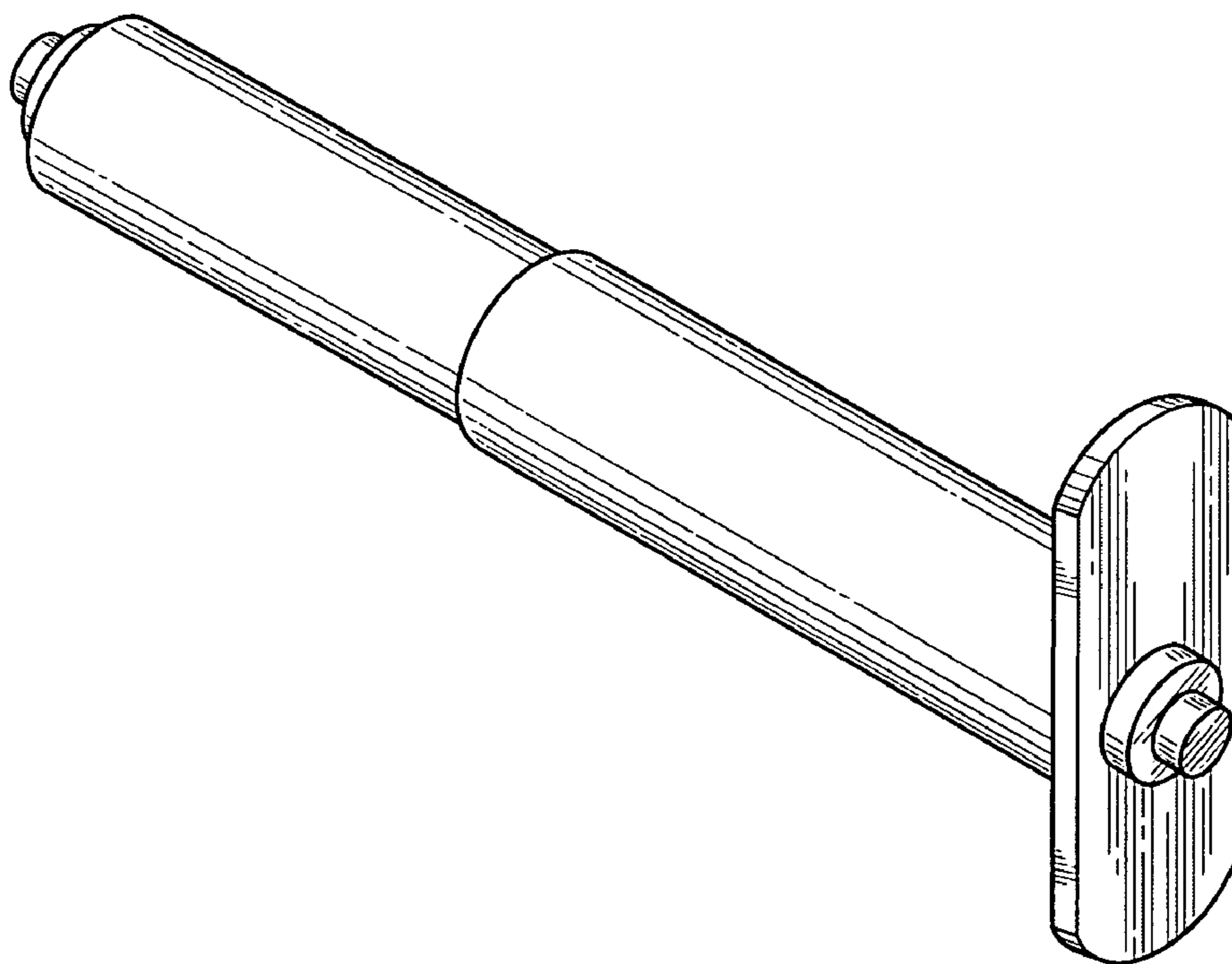
\* cited by examiner

FIG. 10 is a left side perspective view of a third embodiment of replacement spring action roller showing my new design.

My new replacement spring action roller is characterized by having shaped annex embodiment added to one side, which is pushed with fingers during the spring action procedure.

*Primary Examiner*—Brian N Vinson

**1 Claim, 5 Drawing Sheets**



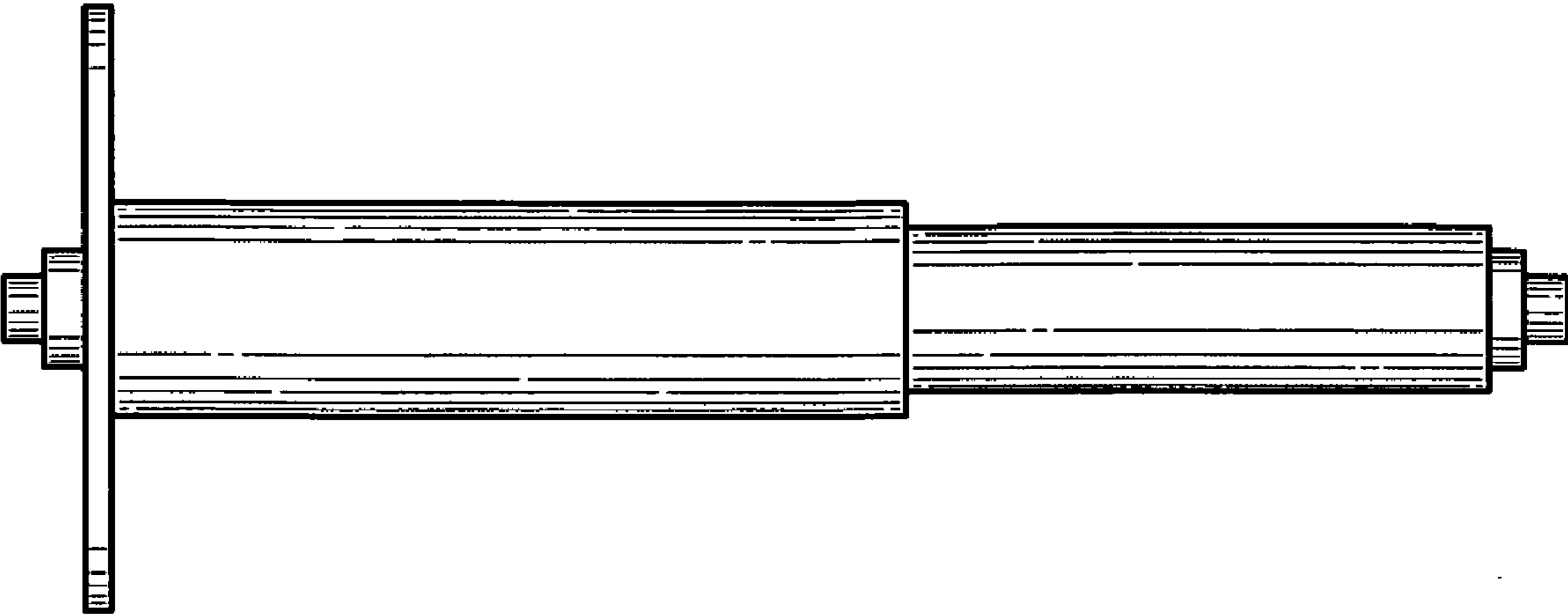


FIG. 1

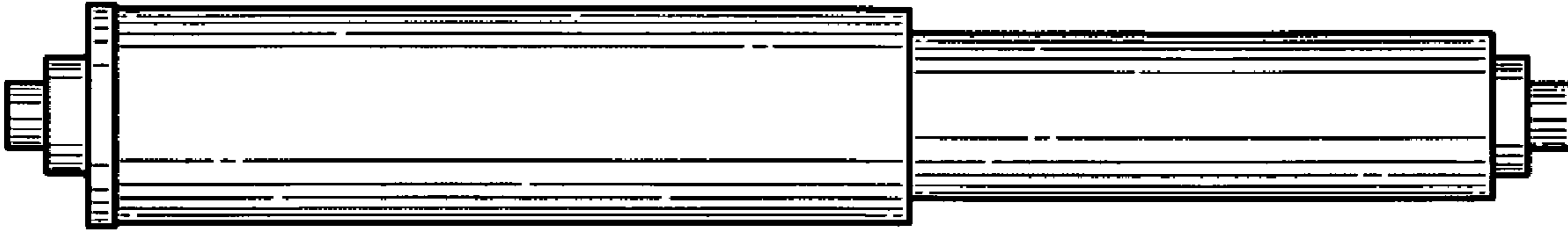


FIG. 2

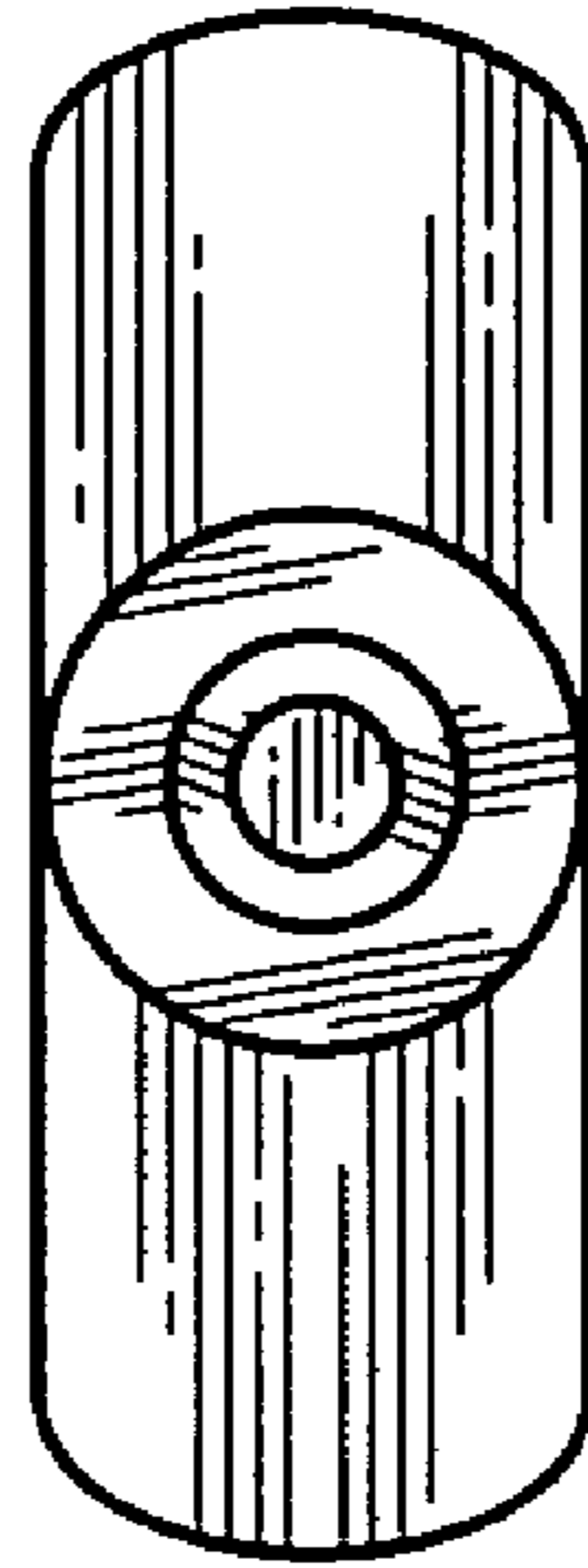


FIG. 3

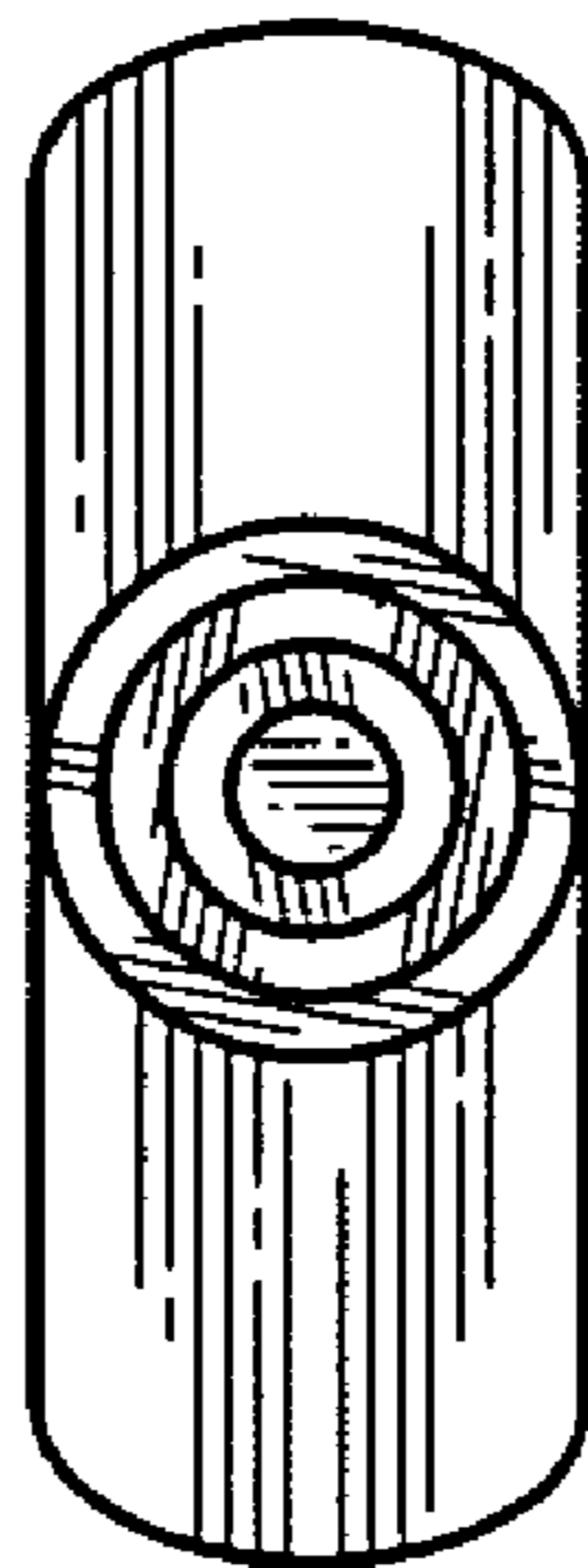


FIG. 4

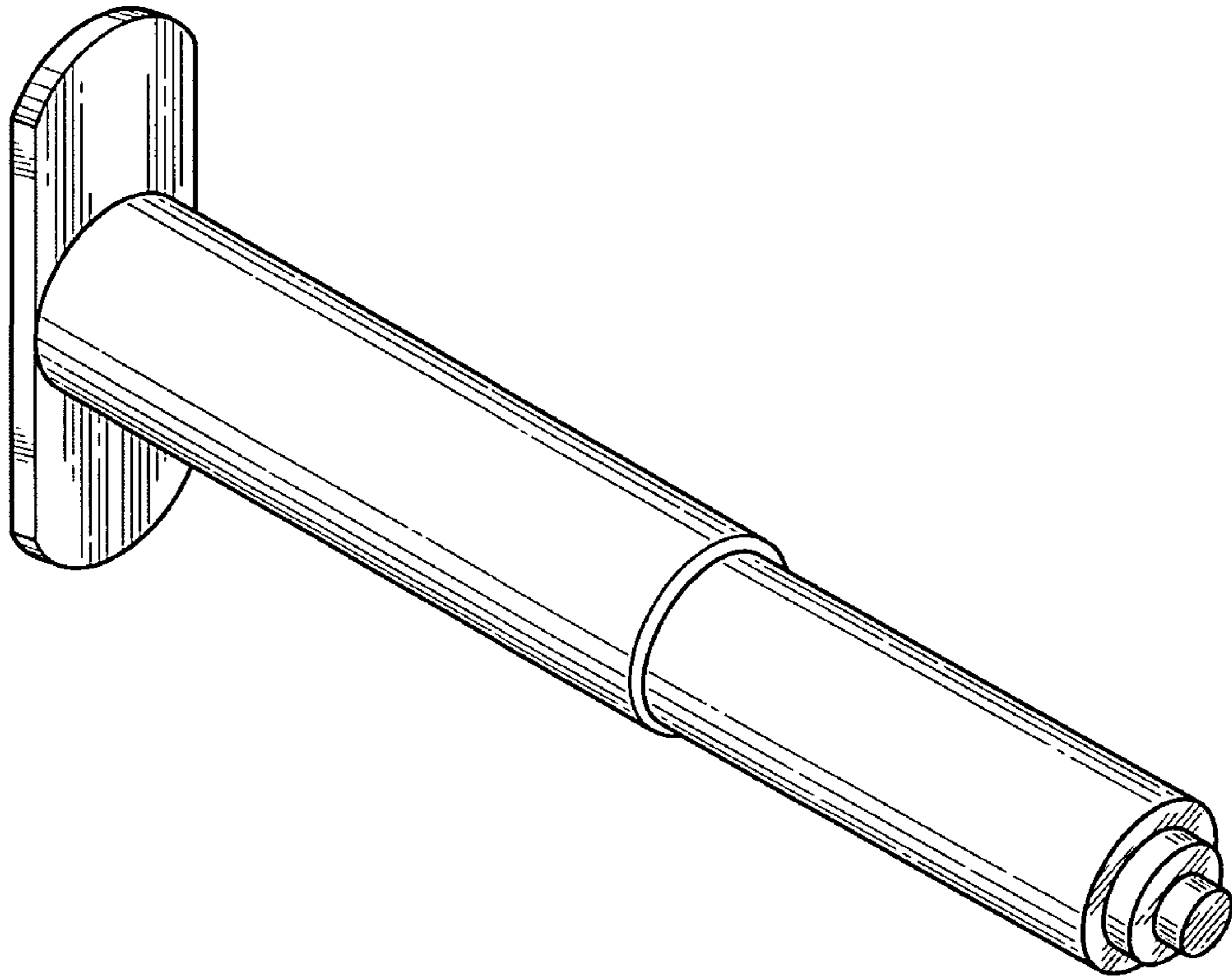


FIG. 5

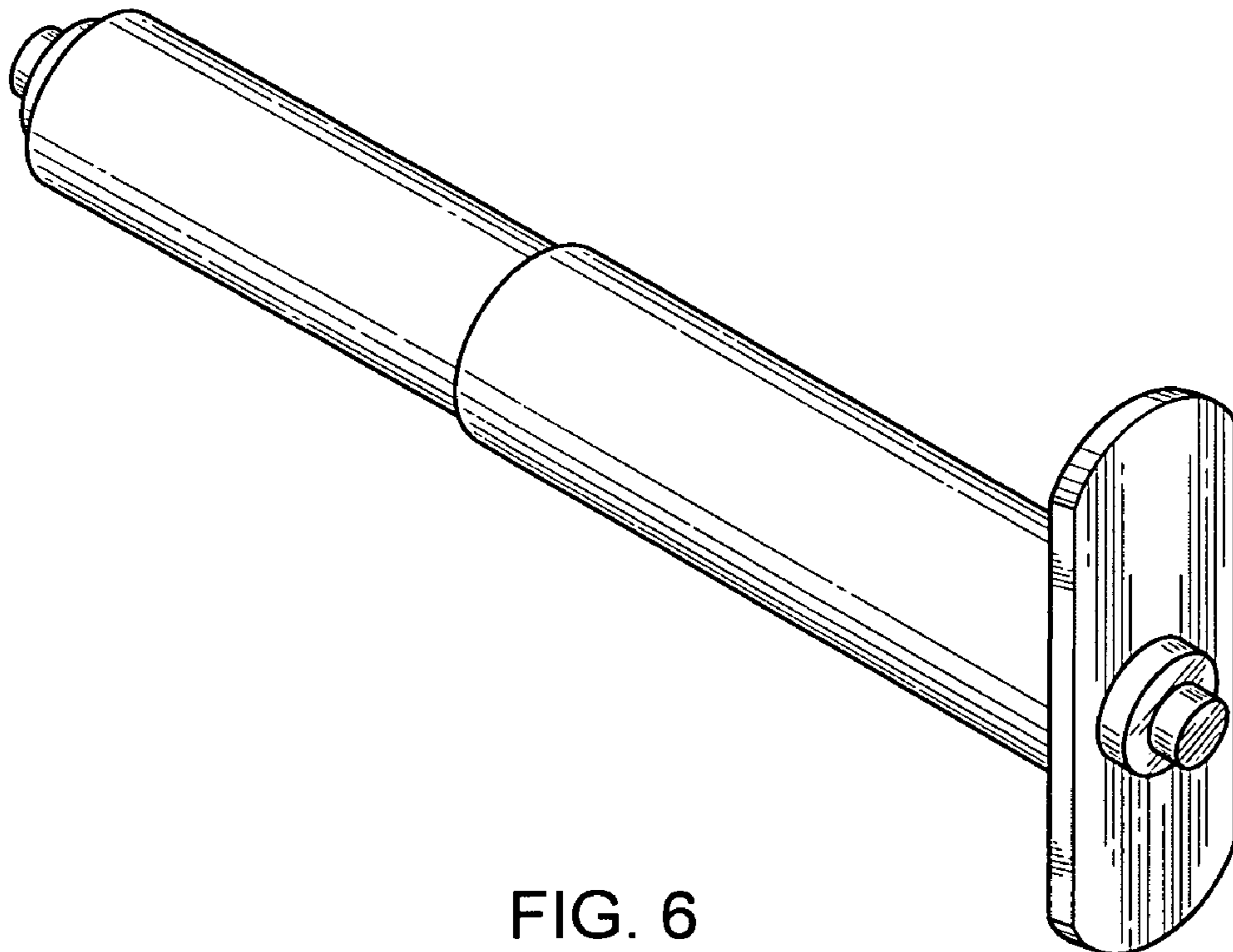


FIG. 6

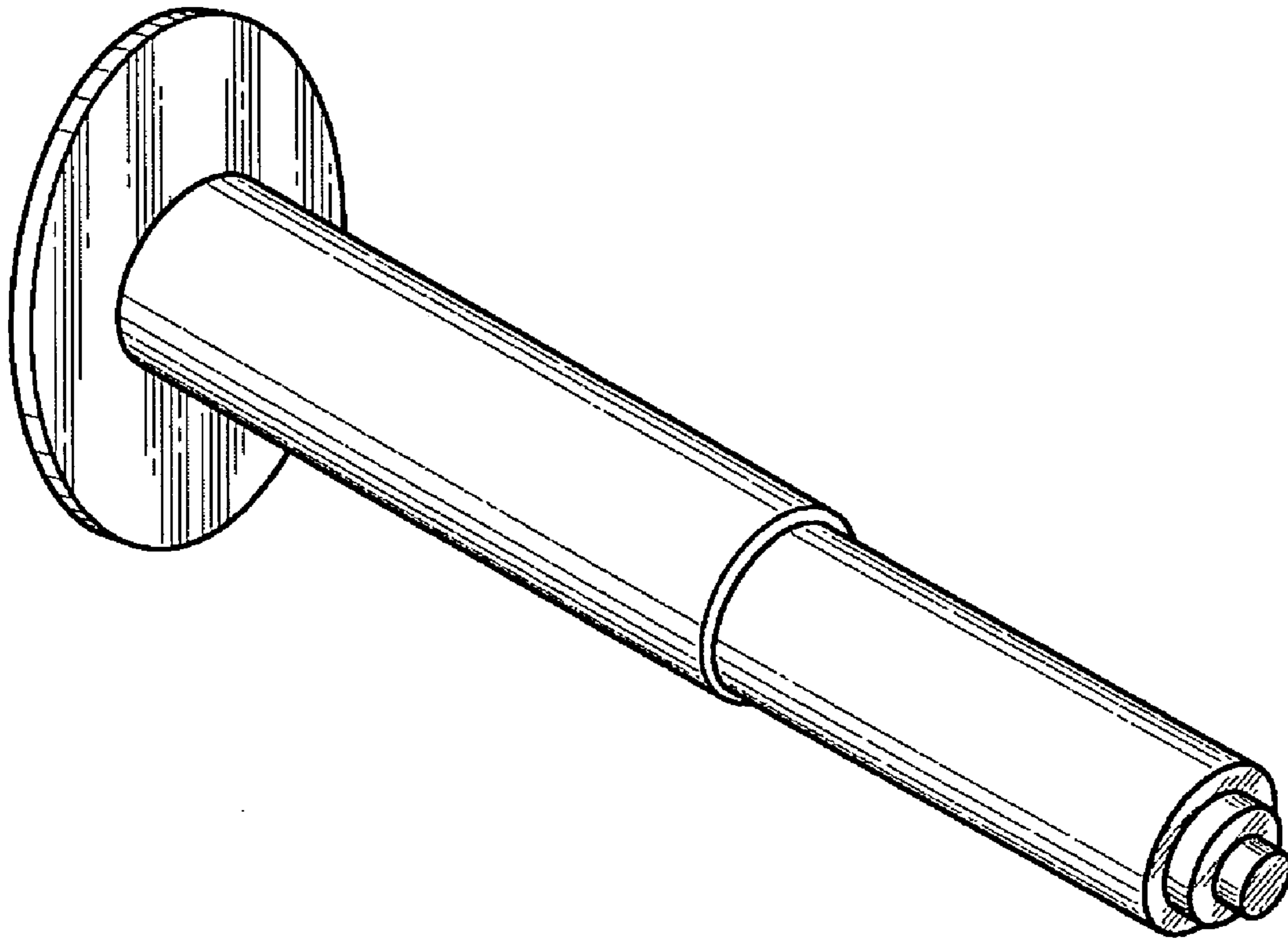


FIG. 7

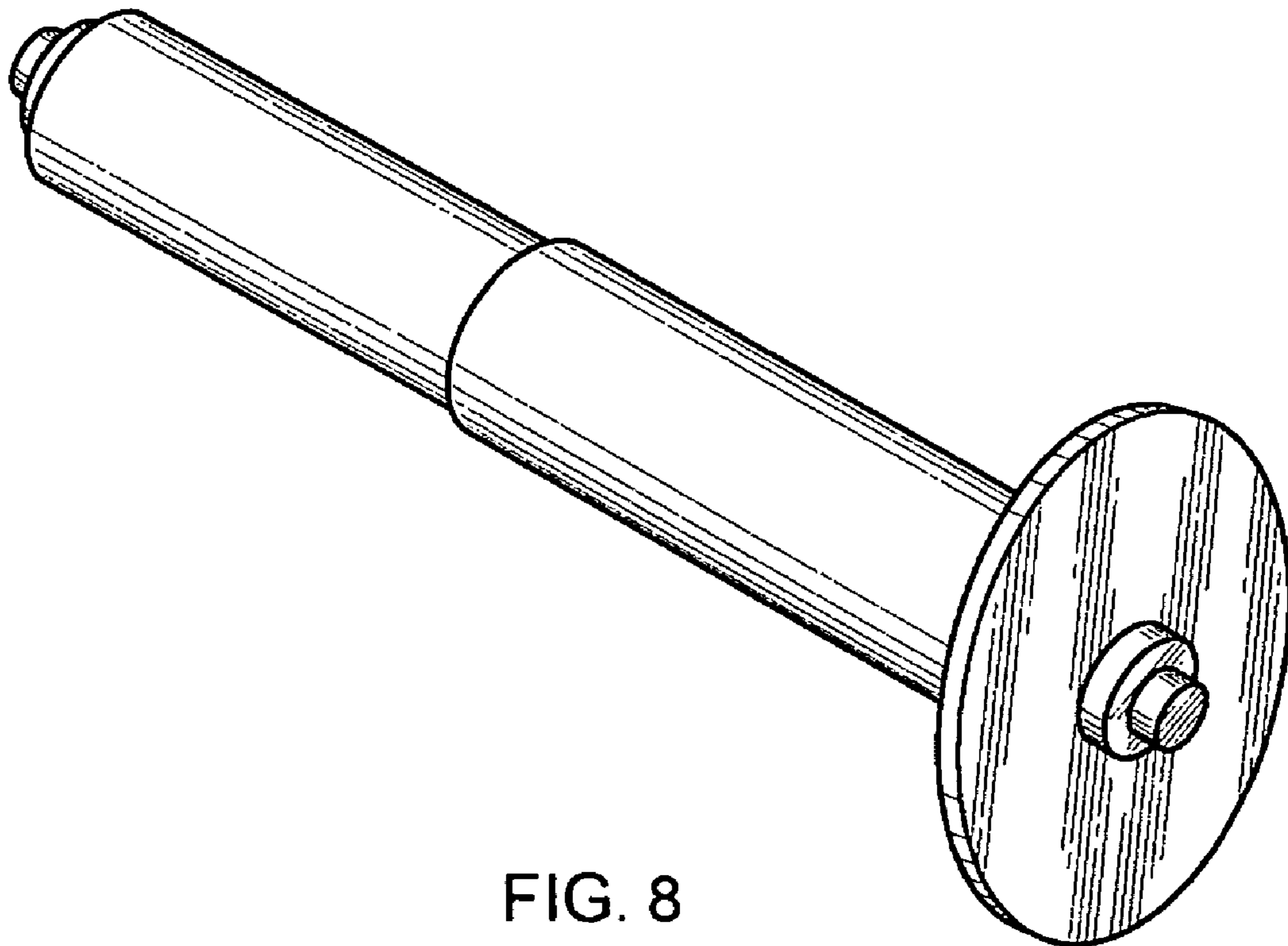


FIG. 8

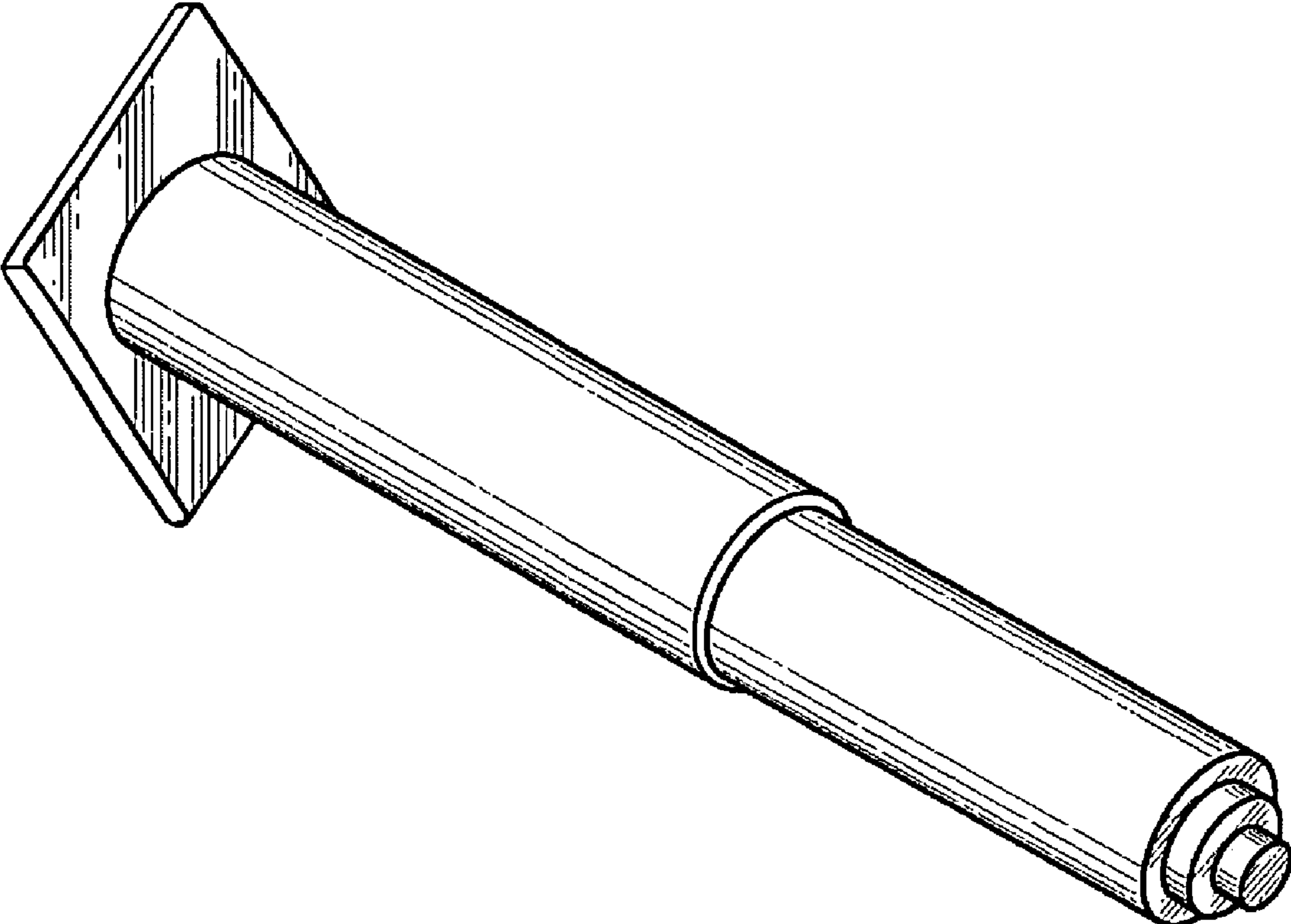


FIG. 9

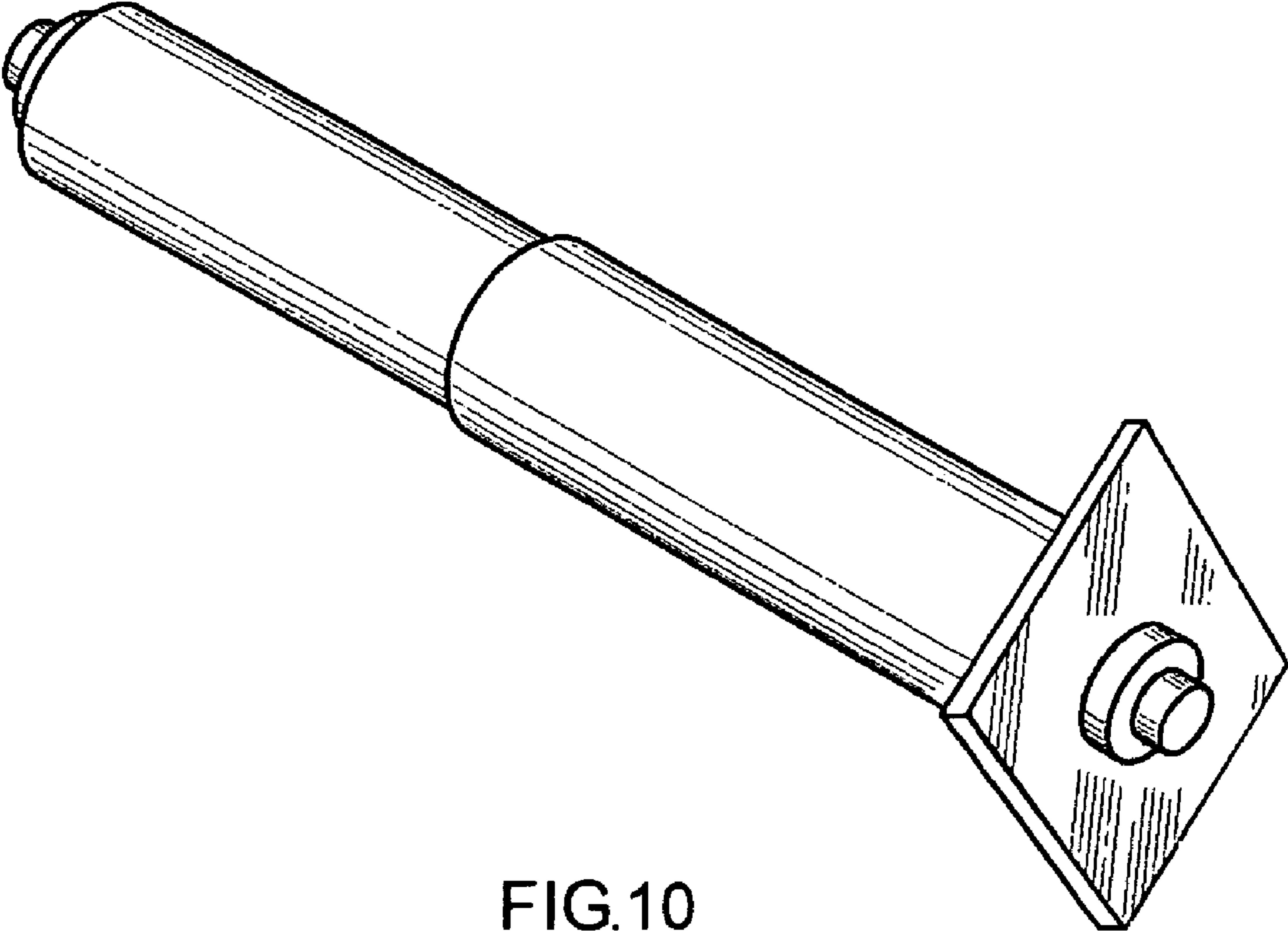


FIG. 10