



US00D632511S

(12) **United States Design Patent**
Sallack

(10) **Patent No.:** **US D632,511 S**

(45) **Date of Patent:** **** Feb. 15, 2011**

(54) **TOILET PAPER DISPENSER WITH SCENT AND SOUND SYSTEMS**

(76) **Inventor:** **David E. Sallack**, 1542 Meffert Run Rd., Wilcox, PA (US) 15870

(**) **Term:** **14 Years**

(21) **Appl. No.:** **29/348,849**

(22) **Filed:** **Feb. 16, 2010**

(51) **LOC (9) Cl.** **23-02**

(52) **U.S. Cl.** **D6/519**

(58) **Field of Classification Search** D6/518-524, D6/546-550; 108/28-29; 211/13.1, 16, 211/60.1, 86.01, 87.01, 88.01, 88.04, 100, 211/105.1, 105.2, 123, 181.1, 182; 248/175, 248/176.1, 251, 302; 16/110.1, 415; 242/570, 242/590, 595-598; D8/300, 303, 315-321; D14/168, 189

See application file for complete search history.

(56) **References Cited**

U.S. PATENT DOCUMENTS

D214,839 S * 8/1969 Louis D6/519

D327,192 S * 6/1992 Geuvjehizian D6/518
D376,597 S * 12/1996 Hiller D14/189
D448,224 S * 9/2001 Voyer D6/519
D484,483 S * 12/2003 Chan D14/168
7,195,196 B2 * 3/2007 Ko D14/189

* cited by examiner

Primary Examiner—Brian N Vinson

(74) *Attorney, Agent, or Firm*—Richard L. Mikesell

(57) **CLAIM**

The ornamental design for a toilet paper dispenser with scent and sound systems, as shown and described.

DESCRIPTION

FIG. 1: Top left perspective view;

FIG. 2: Right side elevation;

FIG. 3: Left side elevation;

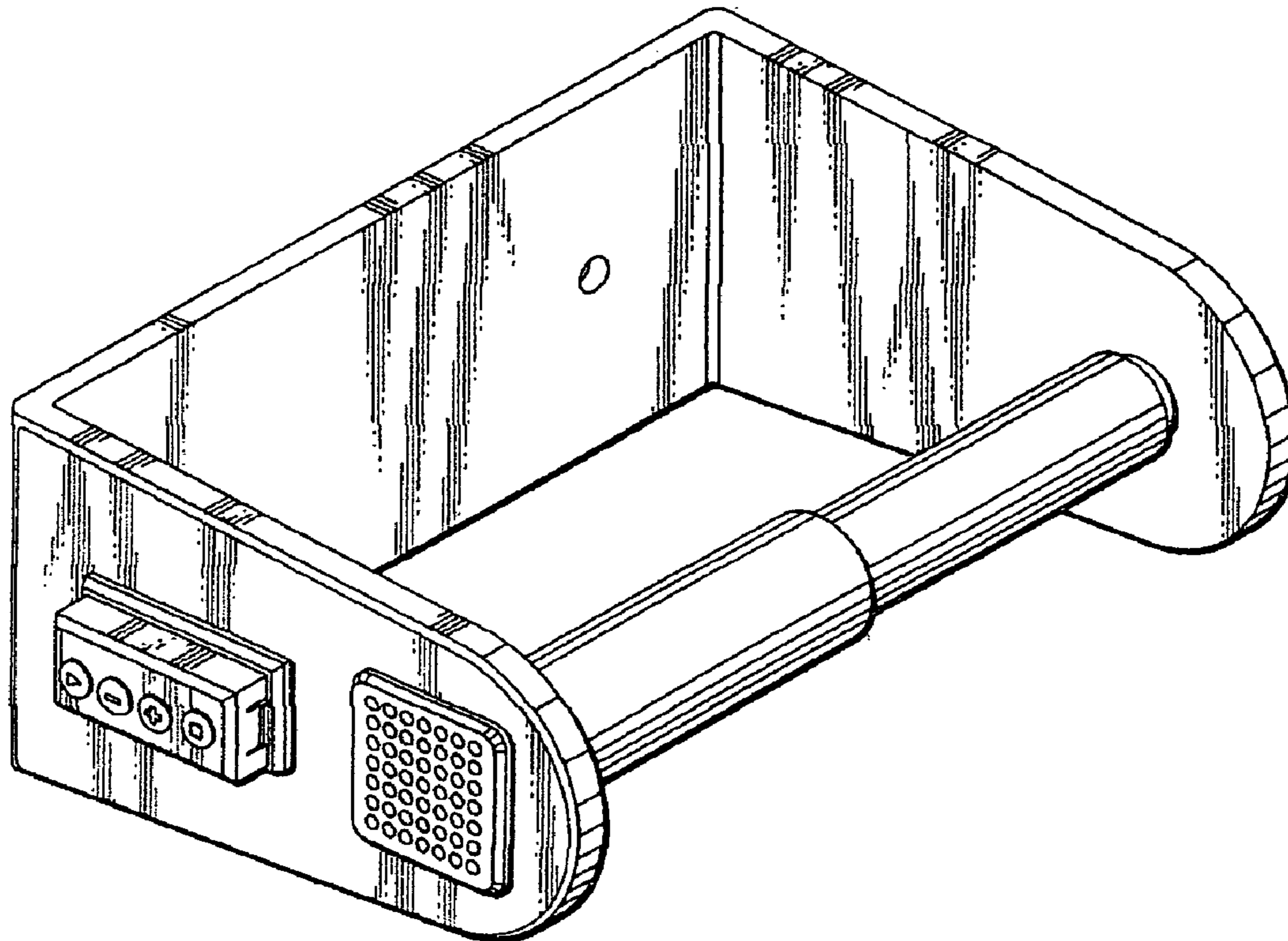
FIG. 4: Front elevation;

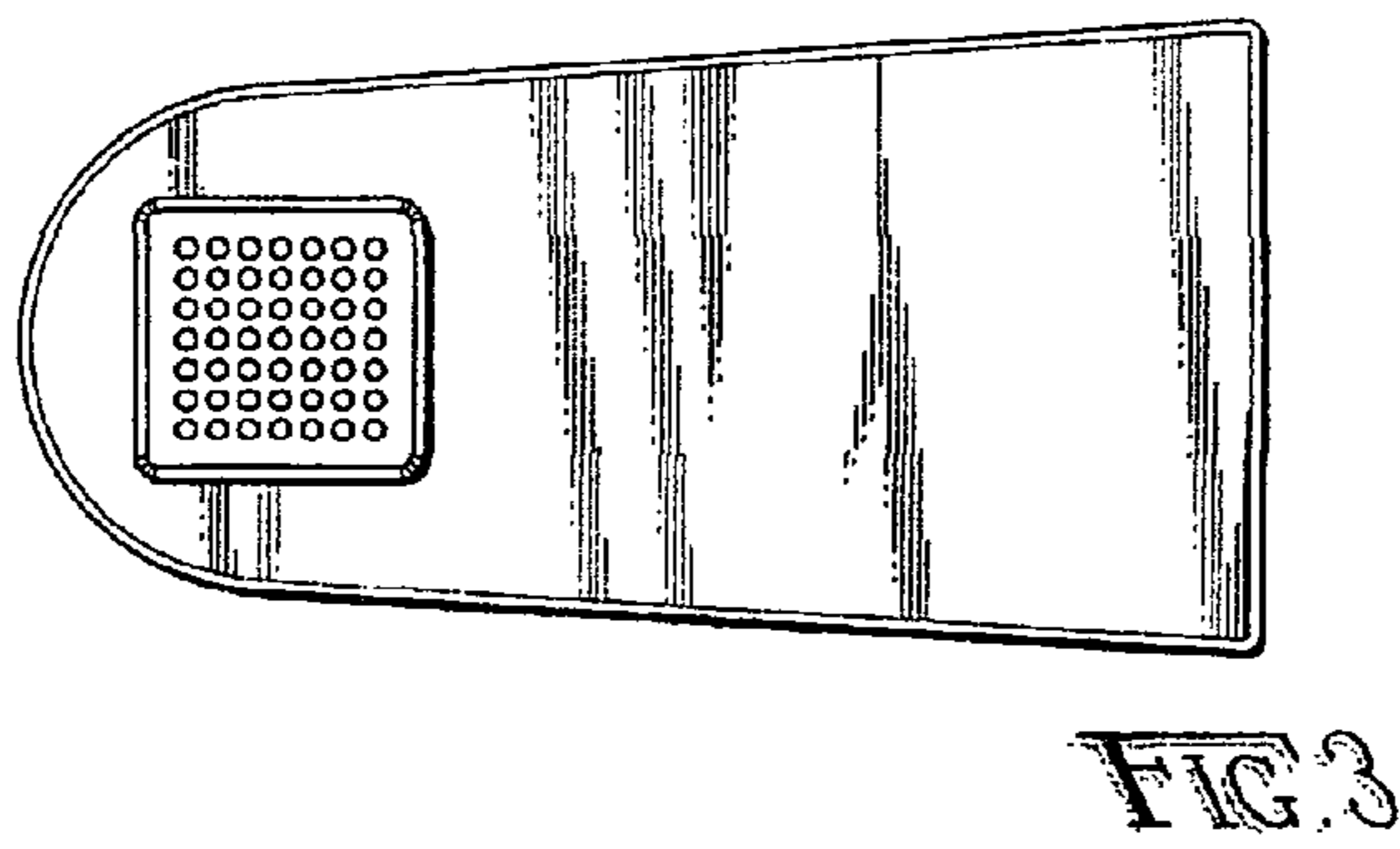
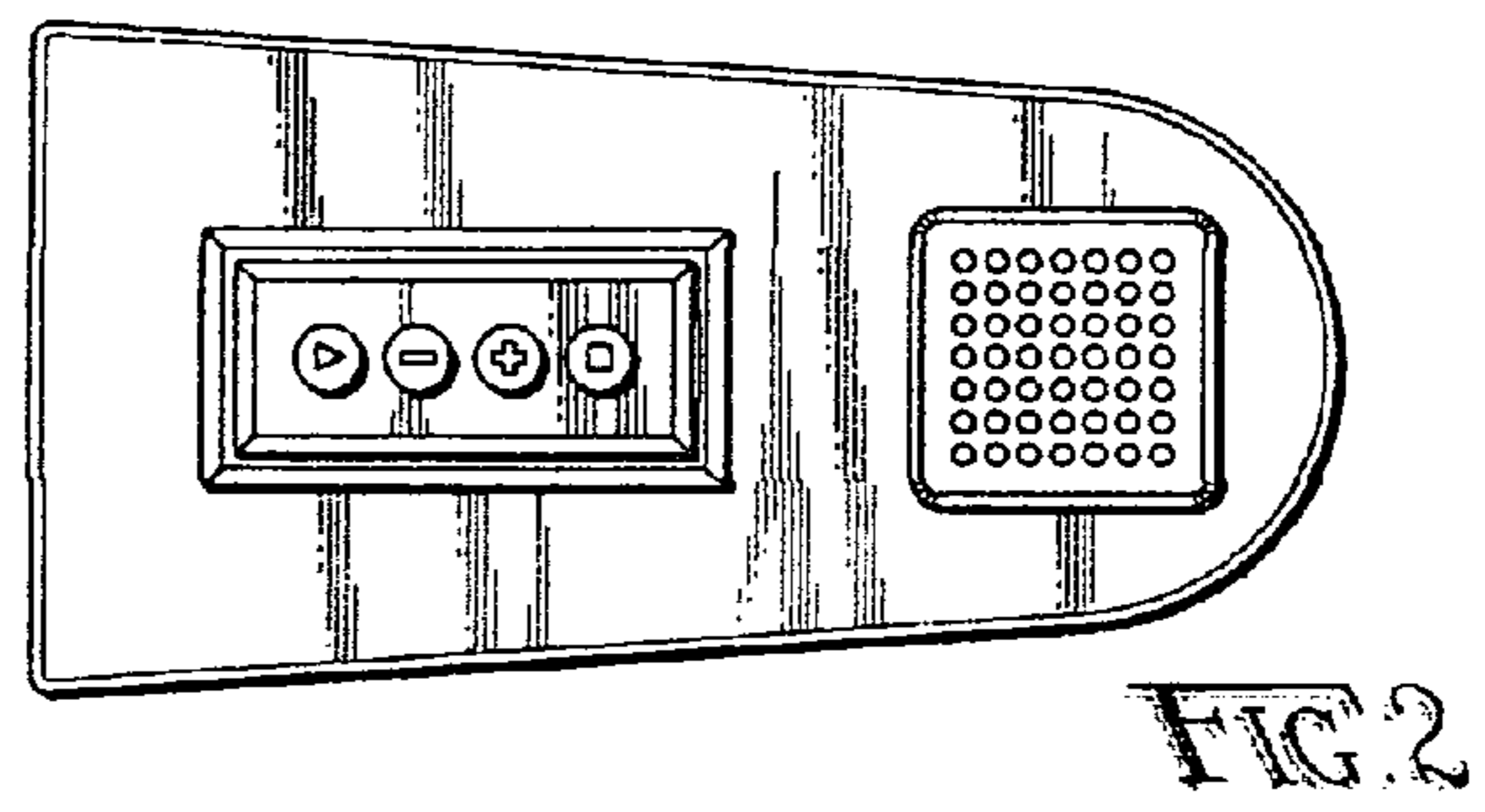
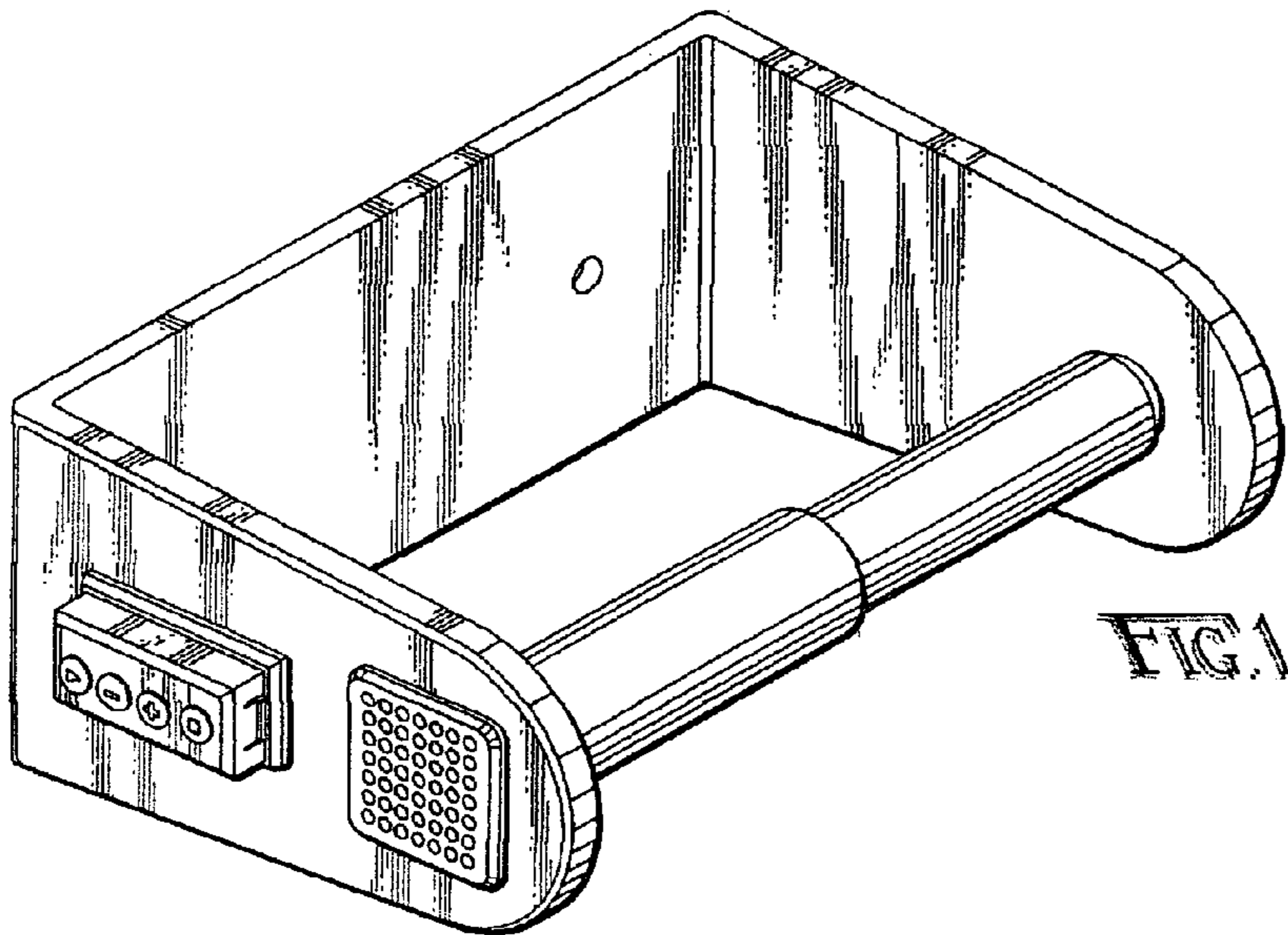
FIG. 5: Rear elevation; and,

FIG. 6: Top plan view.

The bottom plan view is the mirror image of the top plan view.

1 Claim, 2 Drawing Sheets





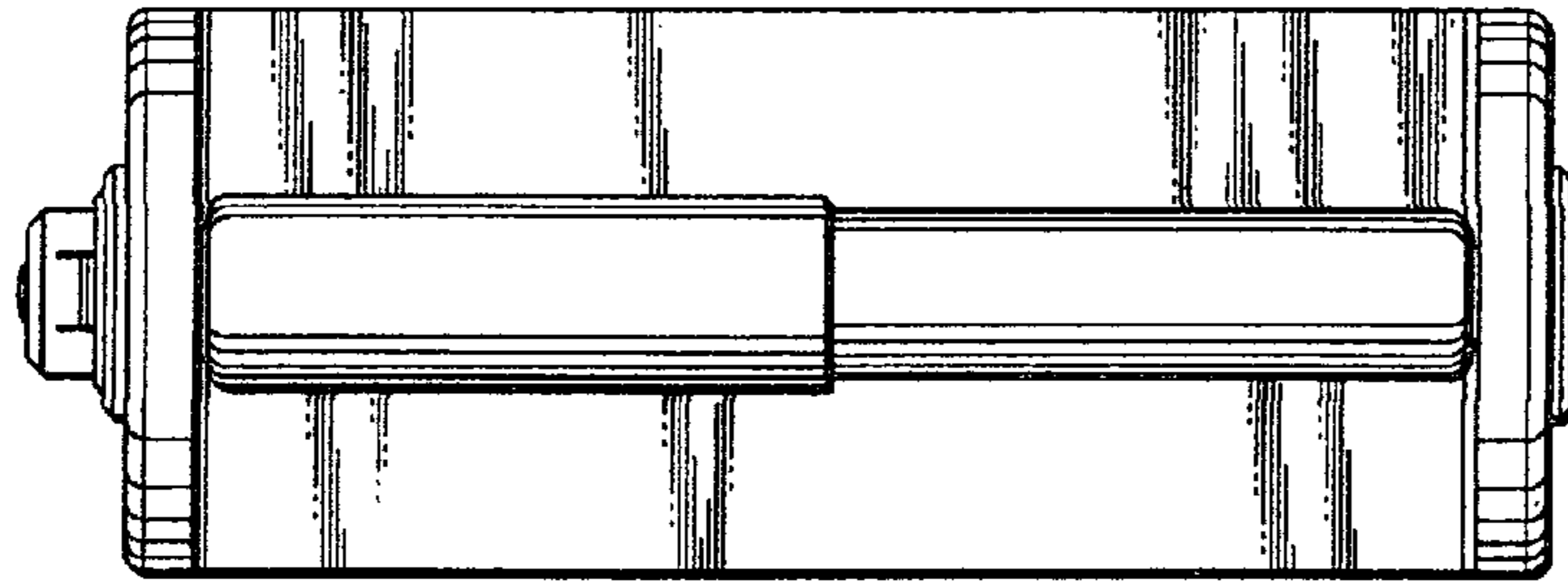


FIG. 4

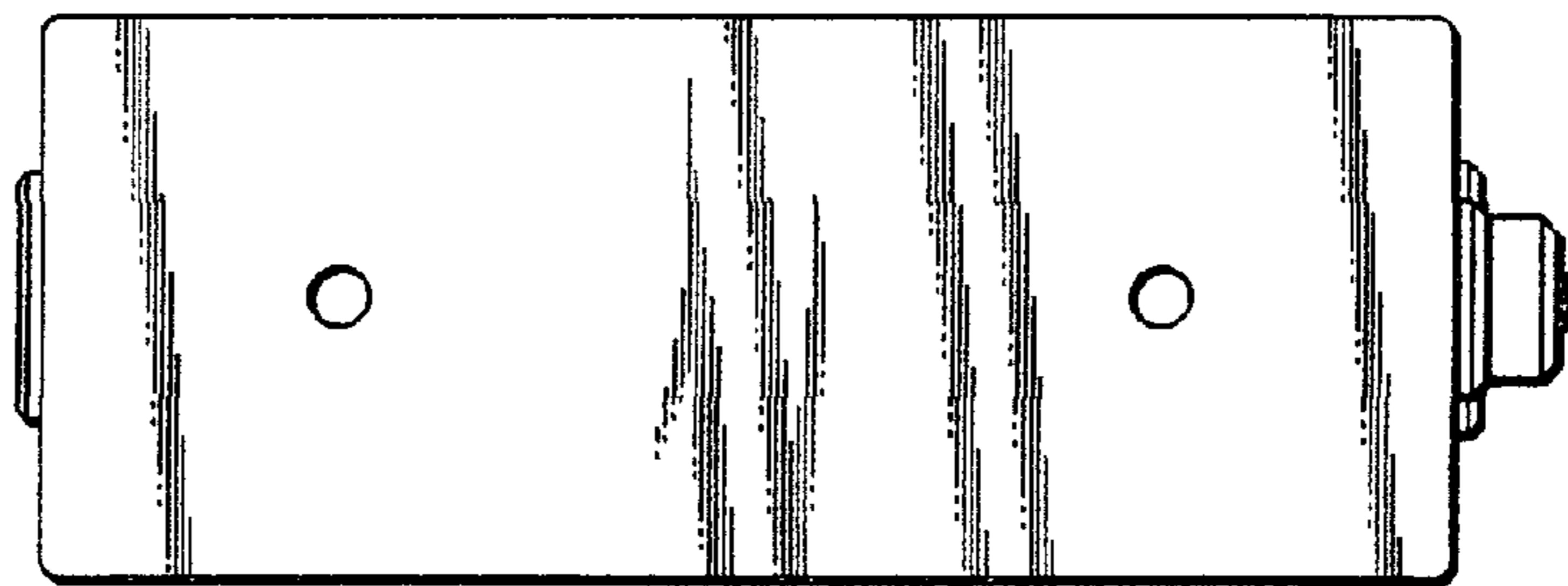


FIG. 5

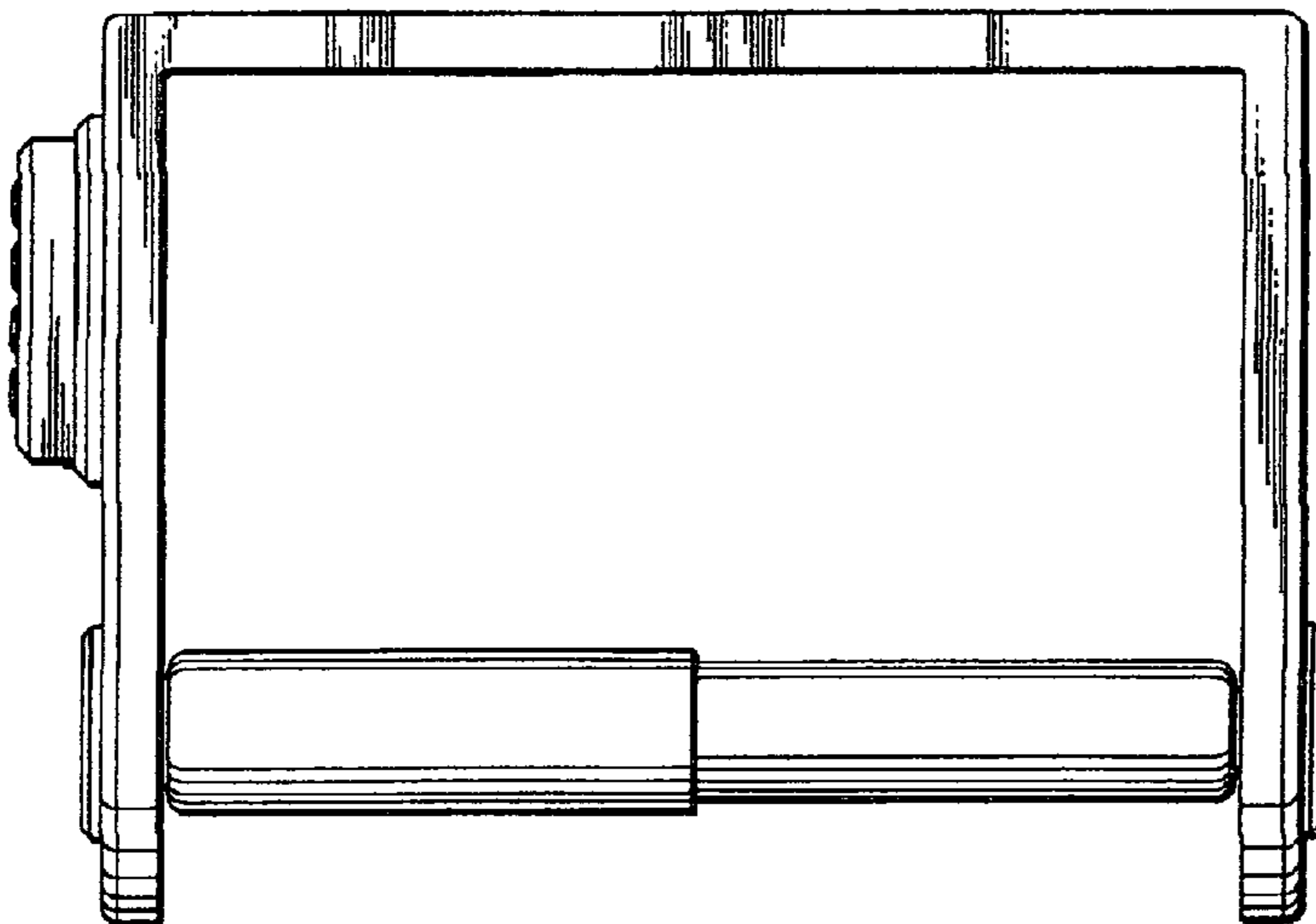


FIG. 6