



US00D632510S

(12) **United States Design Patent**
Johnson

(10) **Patent No.:** **US D632,510 S**

(45) **Date of Patent:** **** Feb. 15, 2011**

(54) **SEAT BACK ITEM RETAINER**

(76) Inventor: **Angelita C. Johnson**, 37 Alabama St.,
Boston, MA (US) 02126

(**) Term: **14 Years**

(21) Appl. No.: **29/323,640**

(22) Filed: **Aug. 28, 2008**

(51) **LOC (9) Cl.** **06-01**

(52) **U.S. Cl.** **D6/502**

(58) **Field of Classification Search** D6/334–336,
D6/361, 371, 381, 491, 500–502, 611; 297/445.1,
297/446.1, 232, 248; 5/12.1, 12.2

See application file for complete search history.

(56) **References Cited**

U.S. PATENT DOCUMENTS

3,479,085	A *	11/1969	Weinstein	297/228.1
D219,377	S *	12/1970	Peery	D6/335
4,240,480	A *	12/1980	Strobel	383/15
4,974,760	A *	12/1990	Miller	224/407
5,012,963	A *	5/1991	Rosenbaum	224/407
5,139,308	A *	8/1992	Ziman	297/188.06
5,314,232	A *	5/1994	Hopkins	297/188.06
5,407,111	A *	4/1995	Lanouette et al.	224/579
D358,731	S *	5/1995	McAlear	D6/513
D362,579	S *	9/1995	Short	D6/601
5,511,710	A *	4/1996	Woods et al.	224/407
D369,498	S *	5/1996	Newcomb	D6/513

5,743,650	A *	4/1998	Shannon et al.	383/16
5,941,437	A *	8/1999	Okumura	224/585
D421,345	S *	3/2000	Silva	D6/368
D421,543	S *	3/2000	Rogman et al.	D6/611
D559,081	S *	1/2008	Myers	D8/354

* cited by examiner

Primary Examiner—Sandra Snapp

(74) *Attorney, Agent, or Firm*—Lambert & Associates; Gary E. Lambert

(57) **CLAIM**

The ornamental design for a seat back item retainer, as shown and described.

DESCRIPTION

FIG. 1 is an isometric view of the seat back item retainer, which embodies my design;

FIG. 2 is a front view displaying the seat back item retainer;

FIG. 3 is a back view displaying the seat back item retainer;

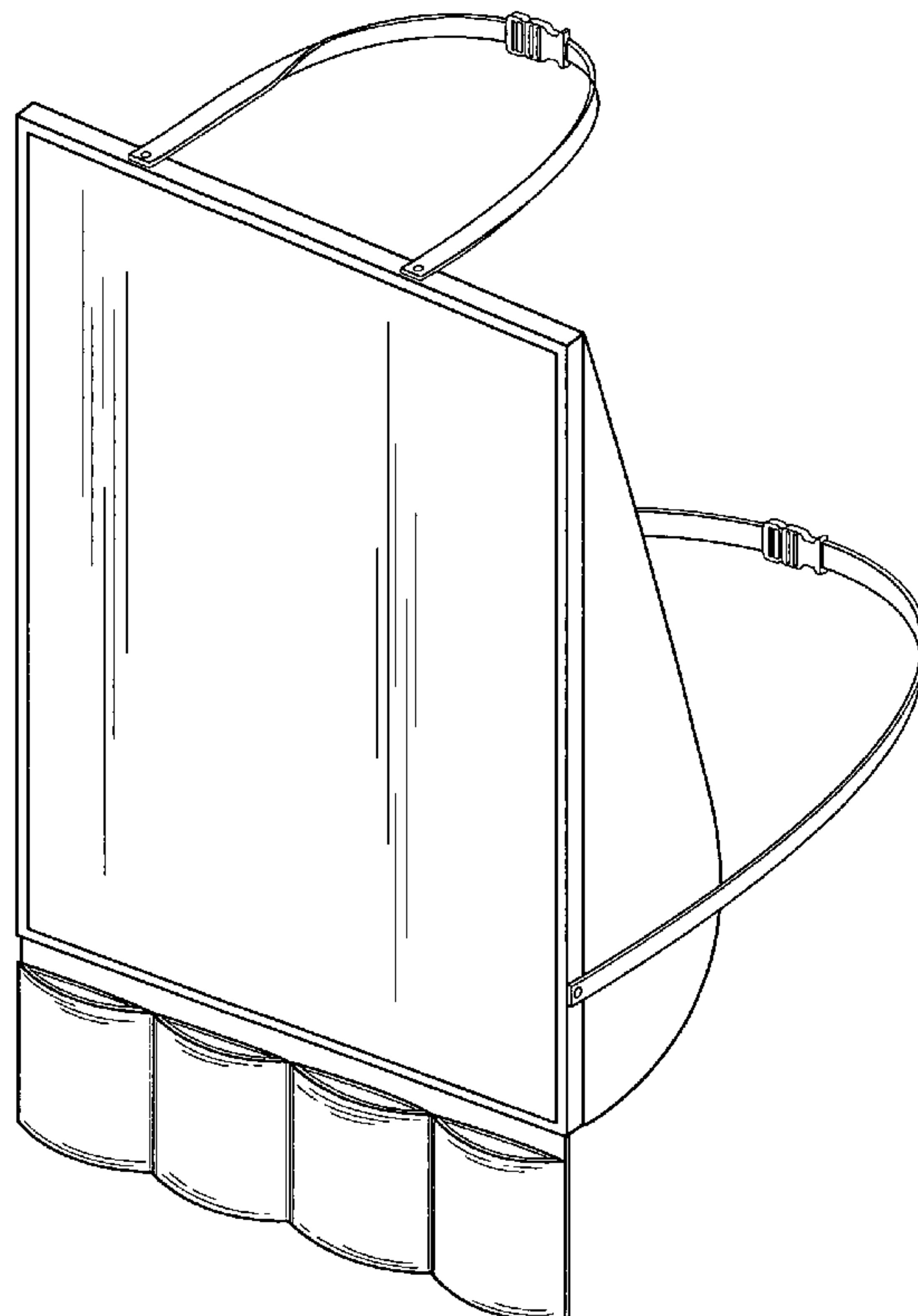
FIG. 4 is a side view displaying the seat back item retainer;

FIG. 5 is a side view displaying the seat back item retainer from the opposite of FIG. 4;

FIG. 6 is a top view displaying the seat back item retainer; and,

FIG. 7 is a bottom view displaying the seat back item retainer.

1 Claim, 4 Drawing Sheets



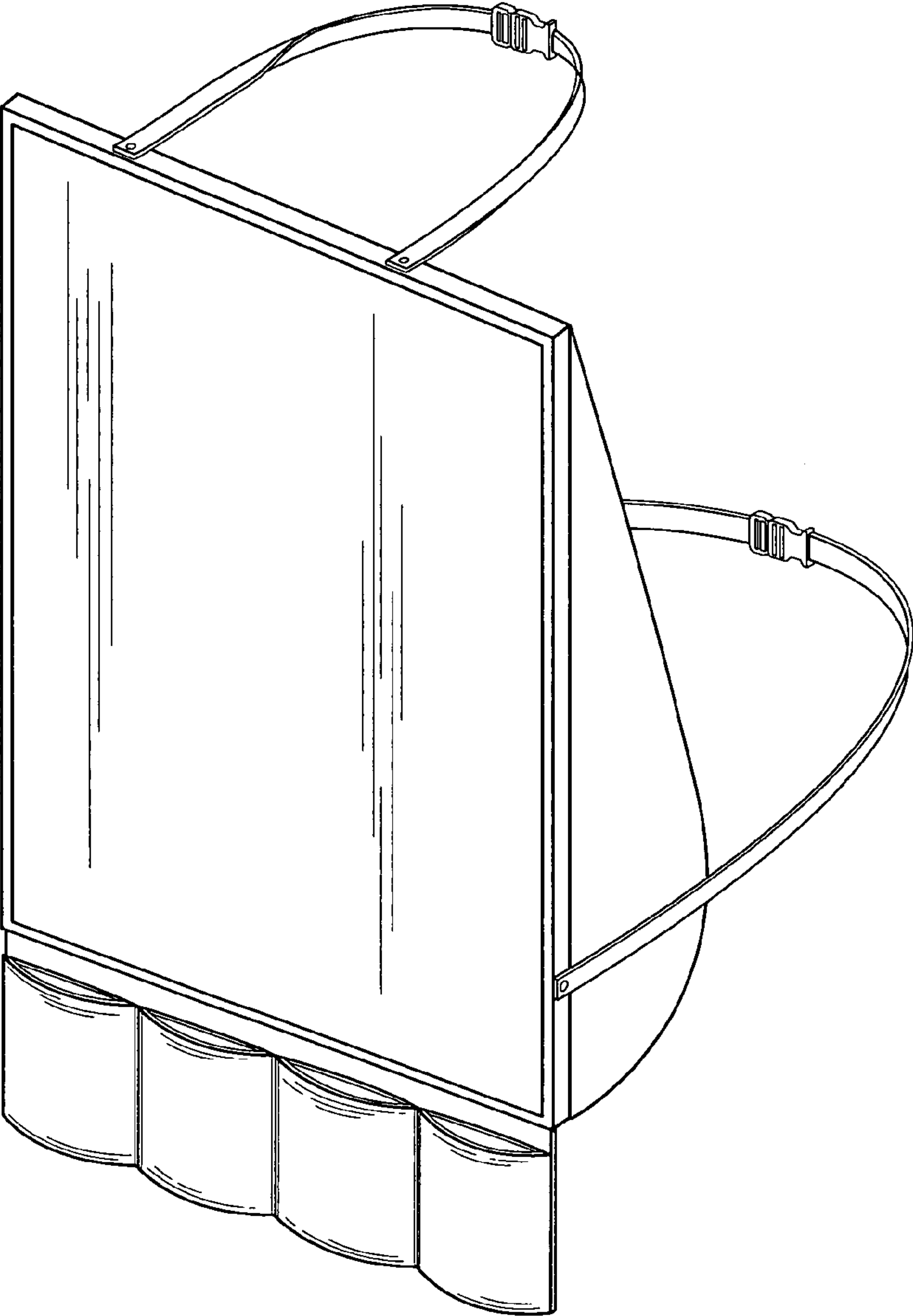


FIG. 1

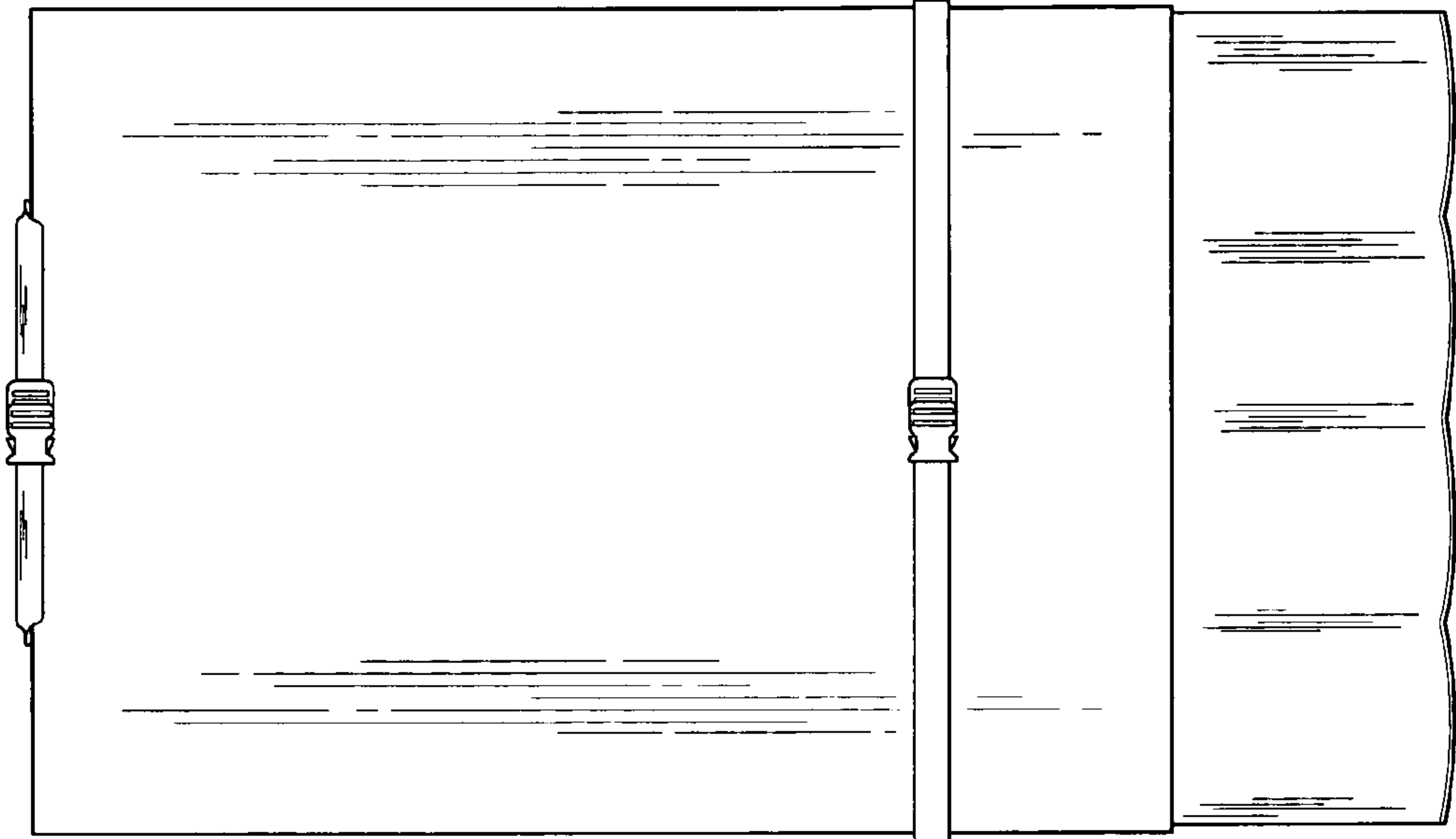


FIG. 3

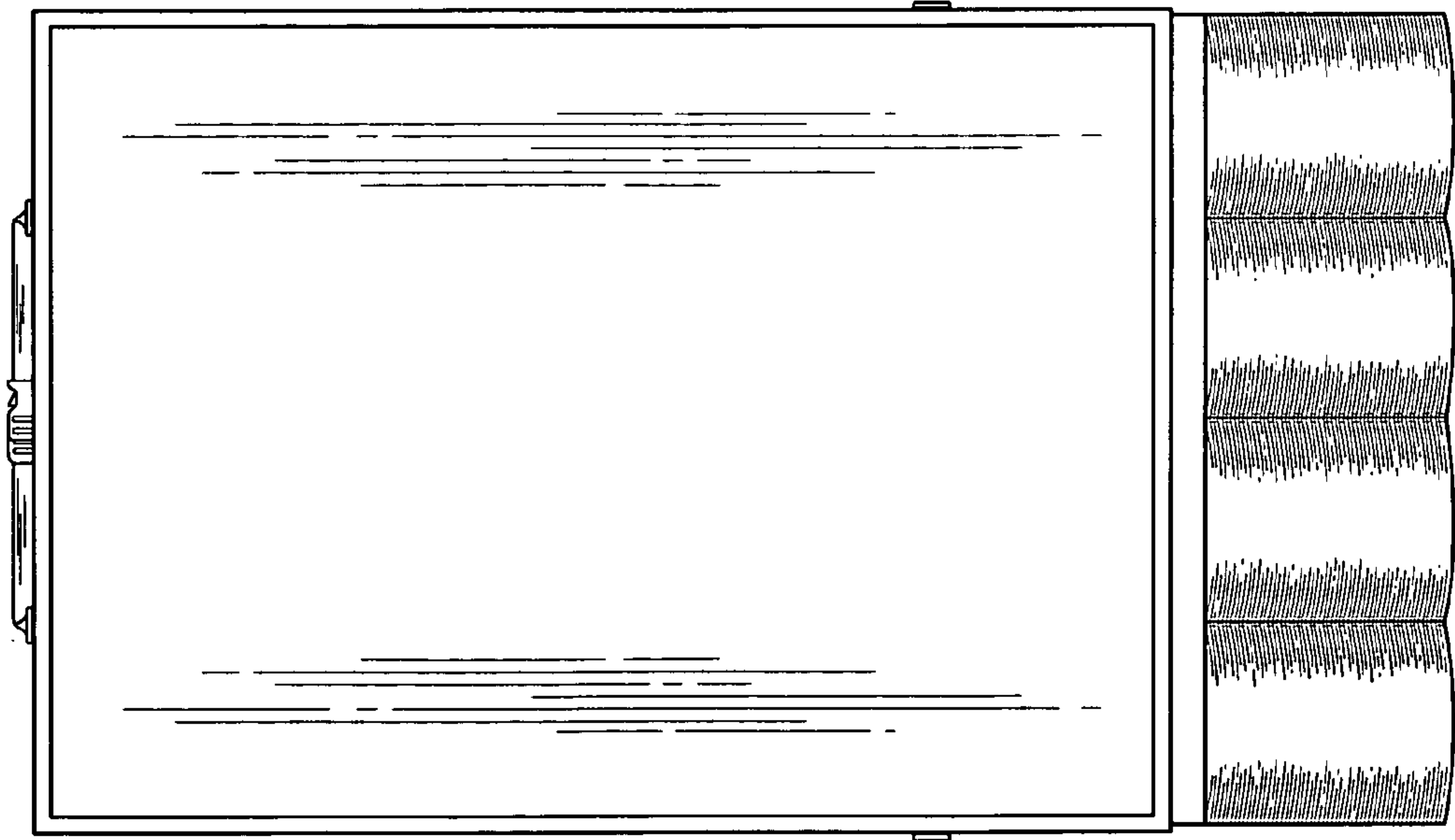


FIG. 2

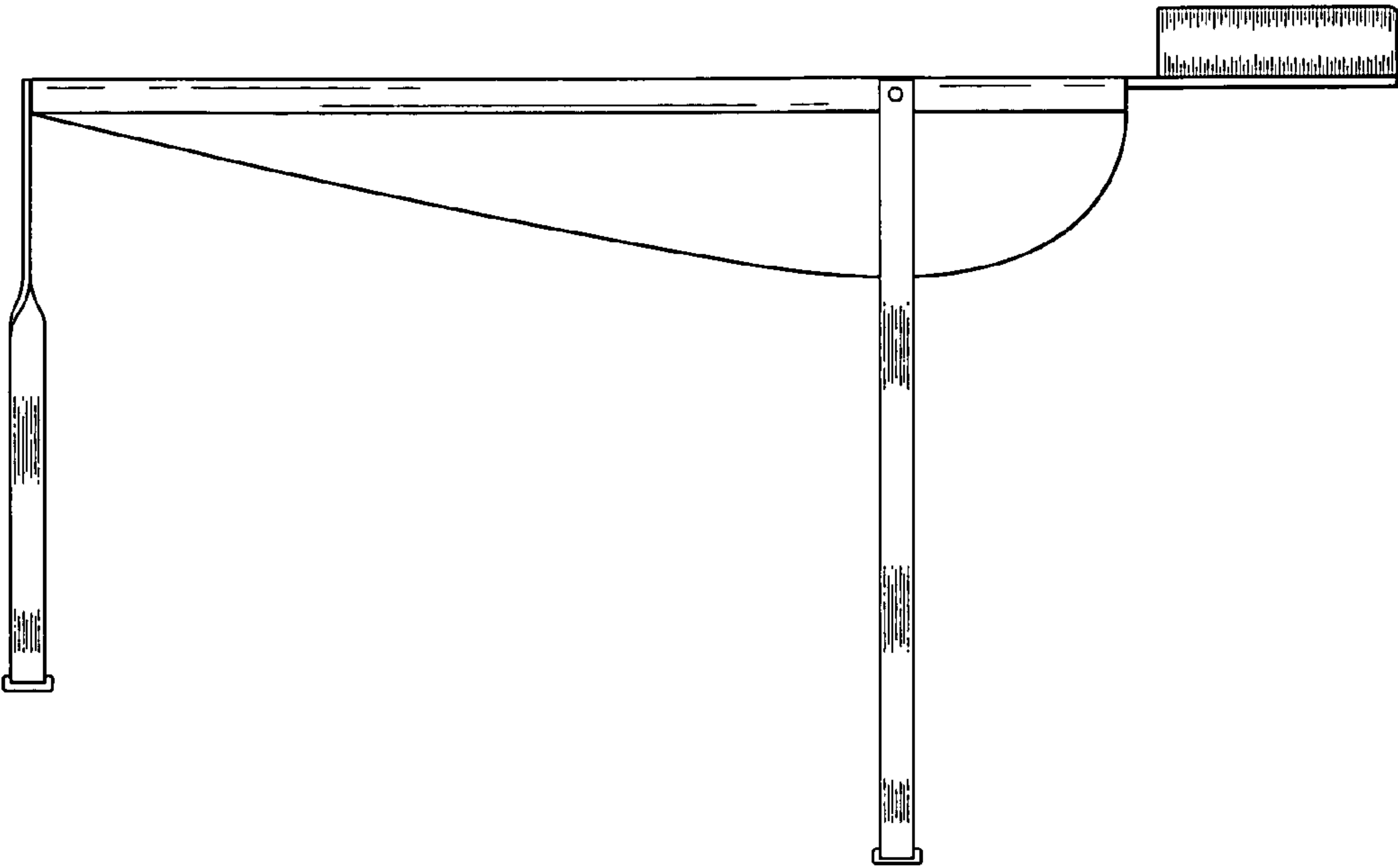


FIG. 5

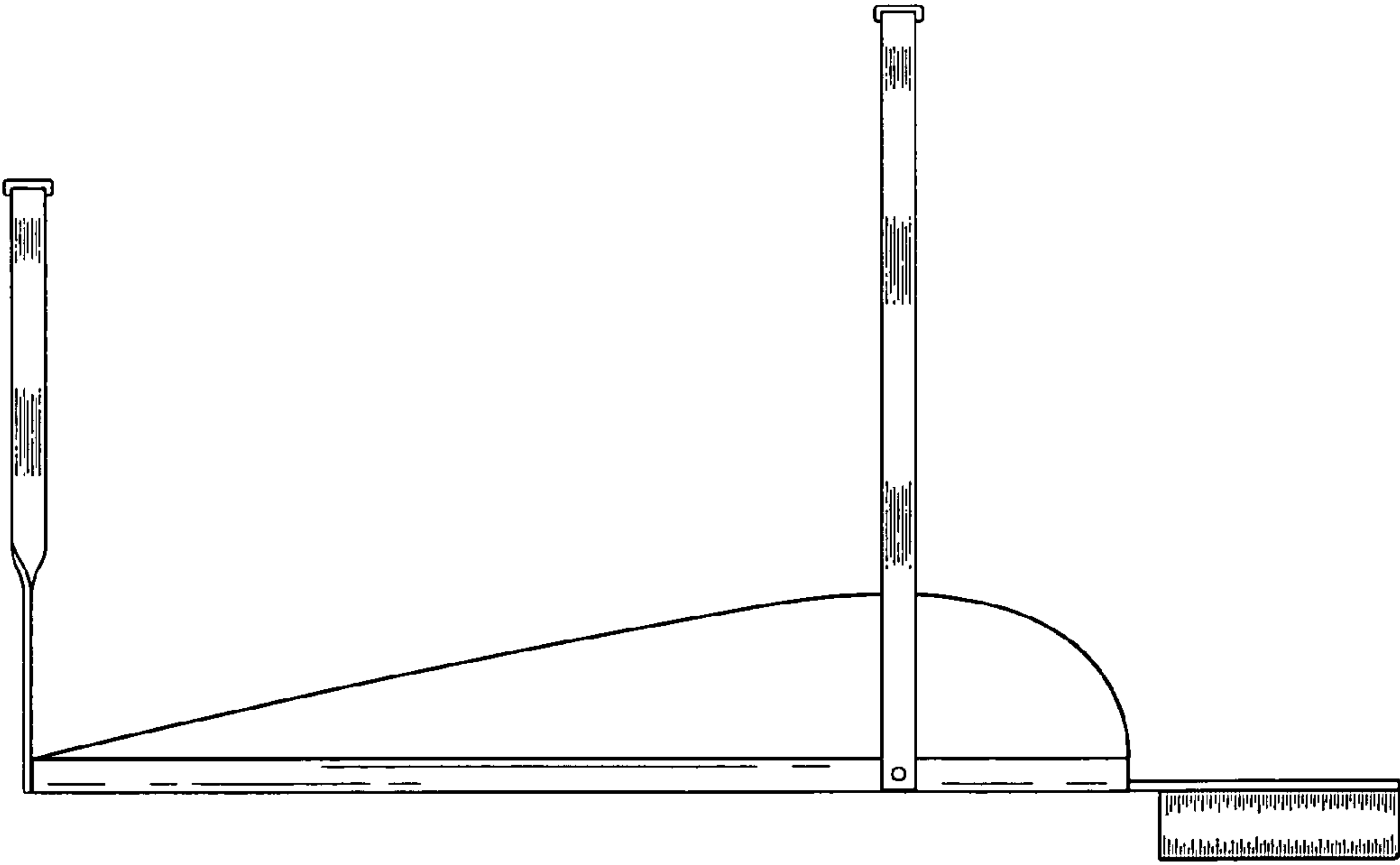


FIG. 4

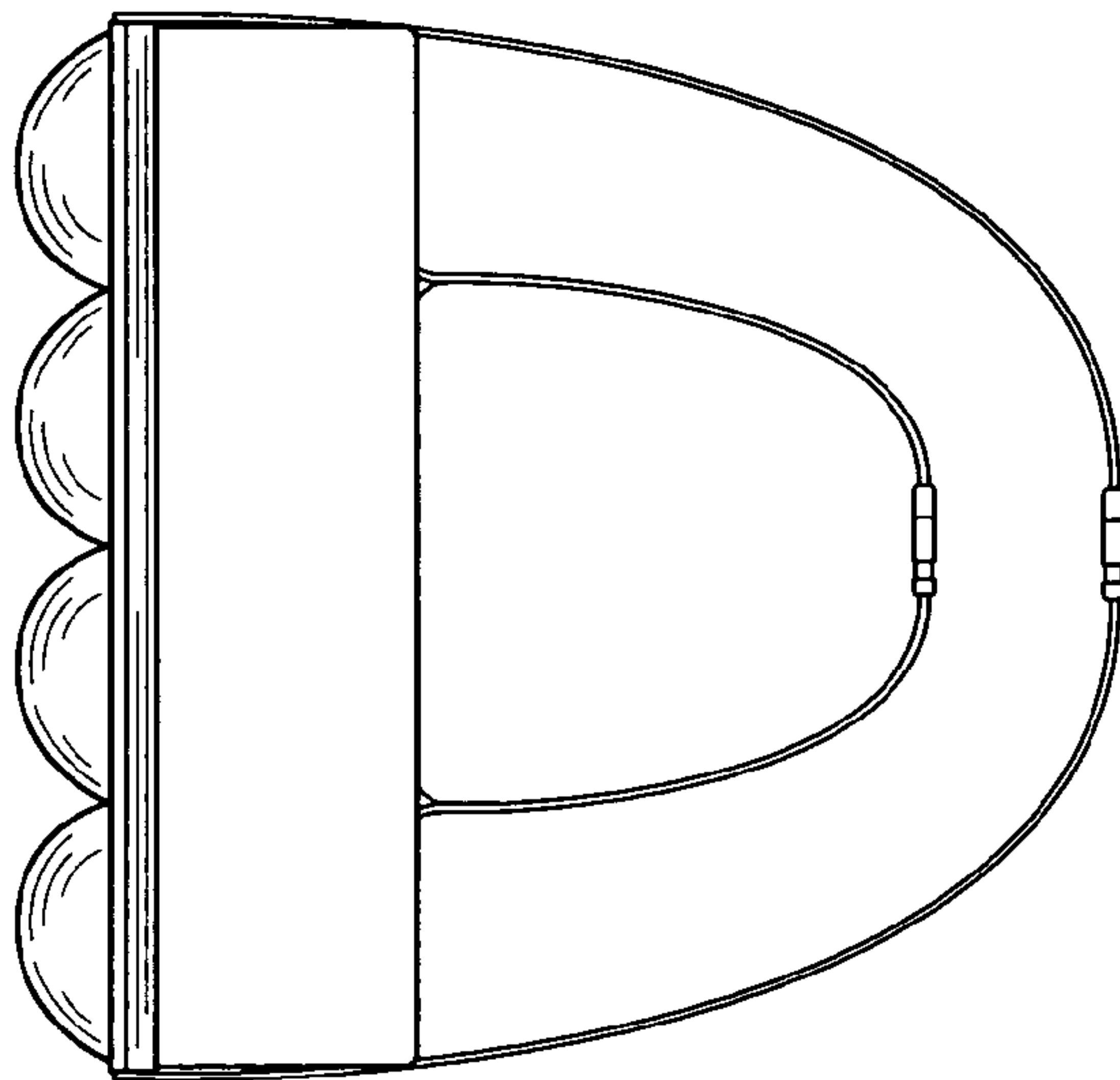


FIG. 7

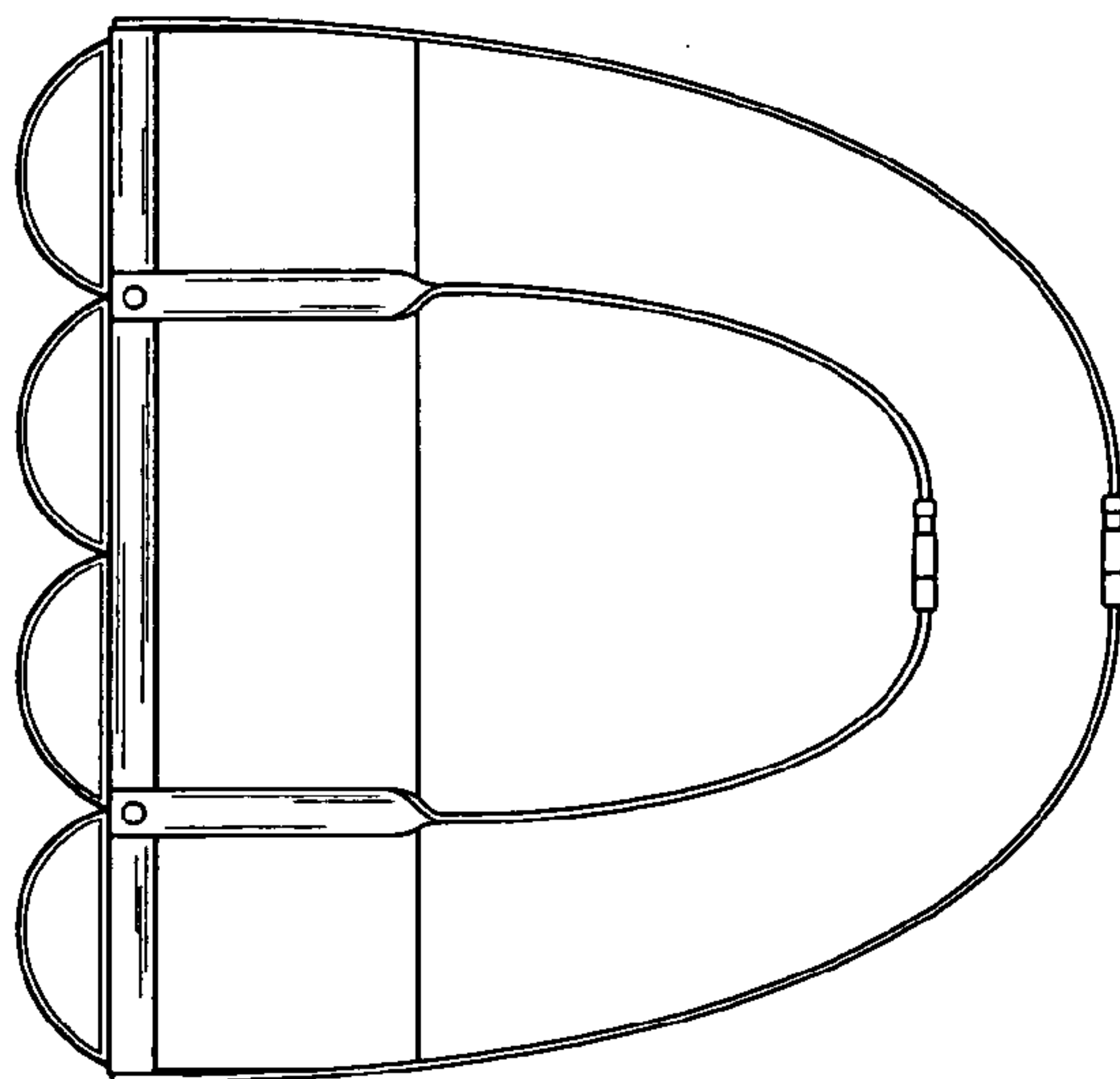


FIG. 6