



US00D632507S

(12) **United States Design Patent**
Sweeney

(10) **Patent No.:** **US D632,507 S**

(45) **Date of Patent:** **** Feb. 15, 2011**

(54) **POINT OF SERVICE MEDICAL APPAREL CABINET**

(76) **Inventor:** **James M Sweeney**, 232 Destiny Ct.,
Wentzville, MO (US) 63385

(**) **Term:** **14 Years**

(21) **Appl. No.:** **29/341,857**

(22) **Filed:** **Aug. 13, 2009**

(51) **LOC (9) Cl.** **06-01**

(52) **U.S. Cl.** **D6/445**

(58) **Field of Classification Search** D6/432,
D6/436, 437, 438, 439, 444, 445, 446, 447,
D6/448; 312/138.1, 204, 224, 237, 257.1,
312/278, 279, 348.4; D24/185
See application file for complete search history.

(56) **References Cited**

U.S. PATENT DOCUMENTS

D147,672 S *	10/1947	Kirkpatrick	D6/445
D223,374 S *	4/1972	Firdmann	D6/445
D236,056 S *	7/1975	Lemon	D6/446
D250,584 S	12/1978	Oye		
D252,282 S	7/1979	Wettermann et al.		
D254,568 S	3/1980	Mack, Jr. et al.		
6,054,091 A	4/2000	Miller et al.		

D529,590 S *	10/2006	Kook	D6/432
D542,056 S *	5/2007	Puente et al.	D6/445
7,234,673 B2	6/2007	Graneto, III		
7,246,710 B2	7/2007	Graneto, III		
D560,928 S *	2/2008	Draheim	D6/445

* cited by examiner

Primary Examiner—Mimosa De

(74) *Attorney, Agent, or Firm*—Polster Lieder Woodruff & Lucchesi, LC

(57) **CLAIM**

The ornamental design for a point of service medical apparel cabinet, as shown and described.

DESCRIPTION

FIG. 1 is a front perspective view of the point of service medical apparel cabinet;

FIG. 2 is a front view thereof;

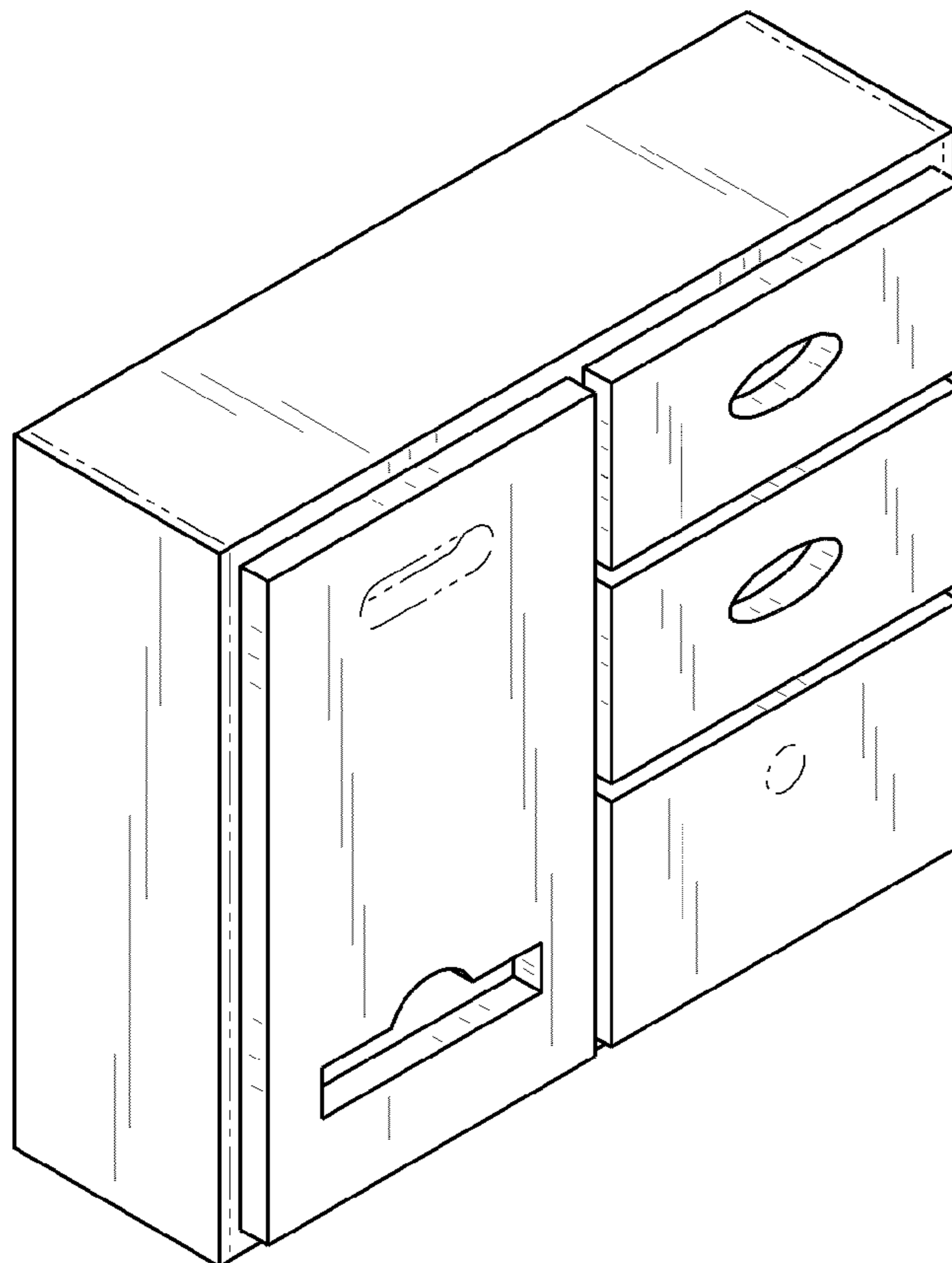
FIG. 3 is a back view thereof;

FIG. 4 is a top view thereof; and,

FIG. 5 is a left and right side view thereof.

The broken lines shown in the drawing are for illustrative purposes only and form no part of the claimed design.

1 Claim, 2 Drawing Sheets



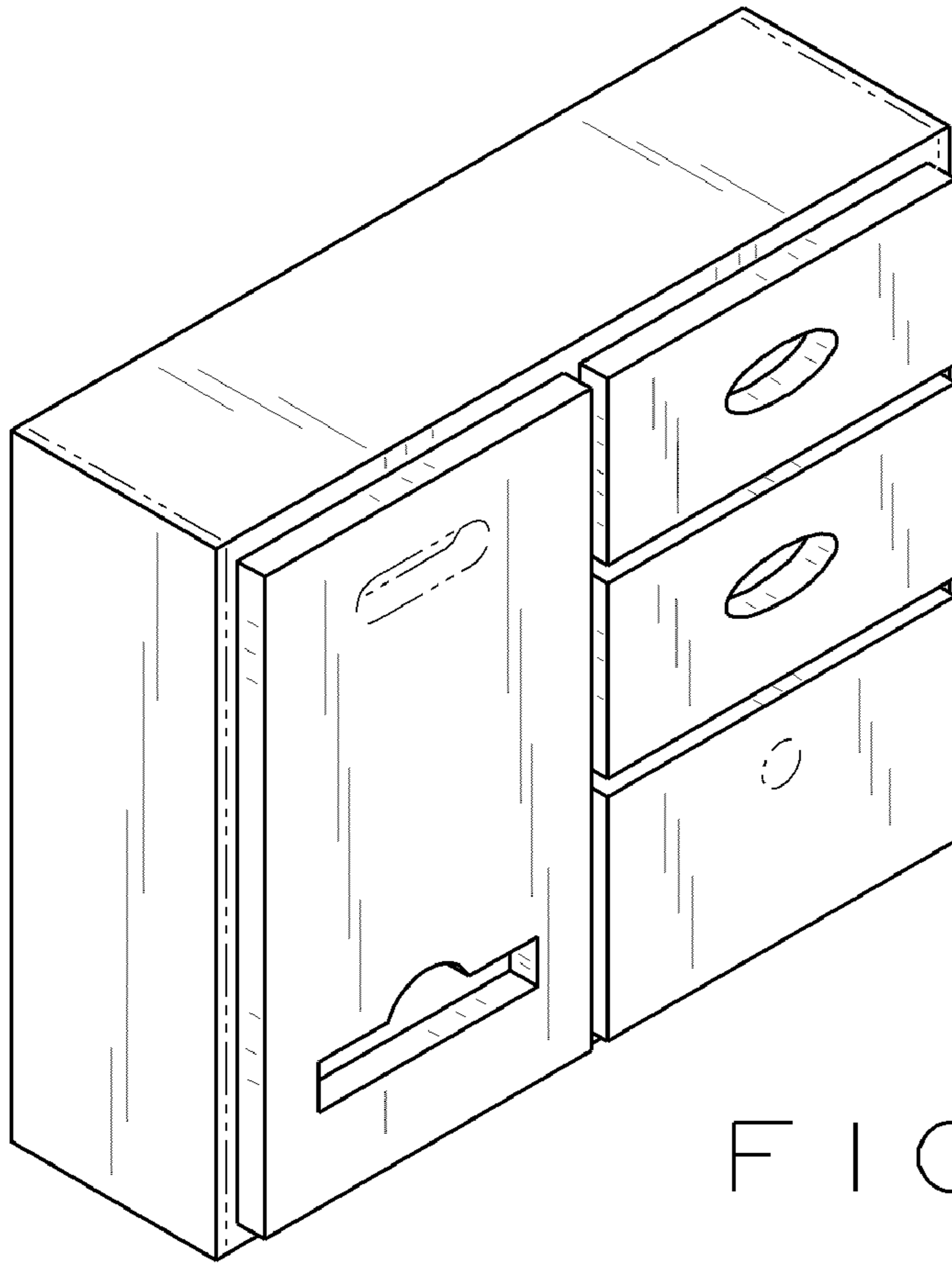


FIG. 1

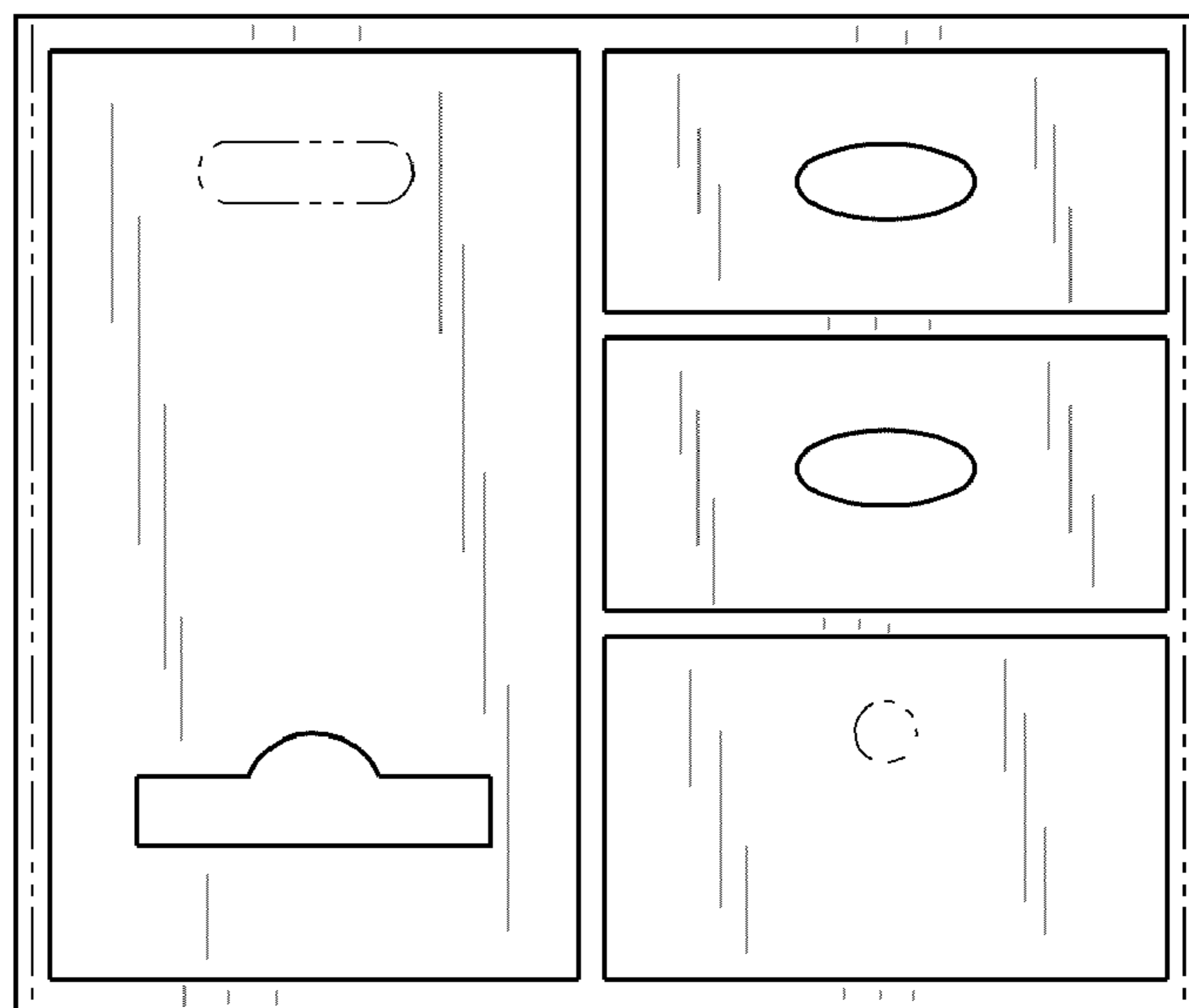


FIG. 2

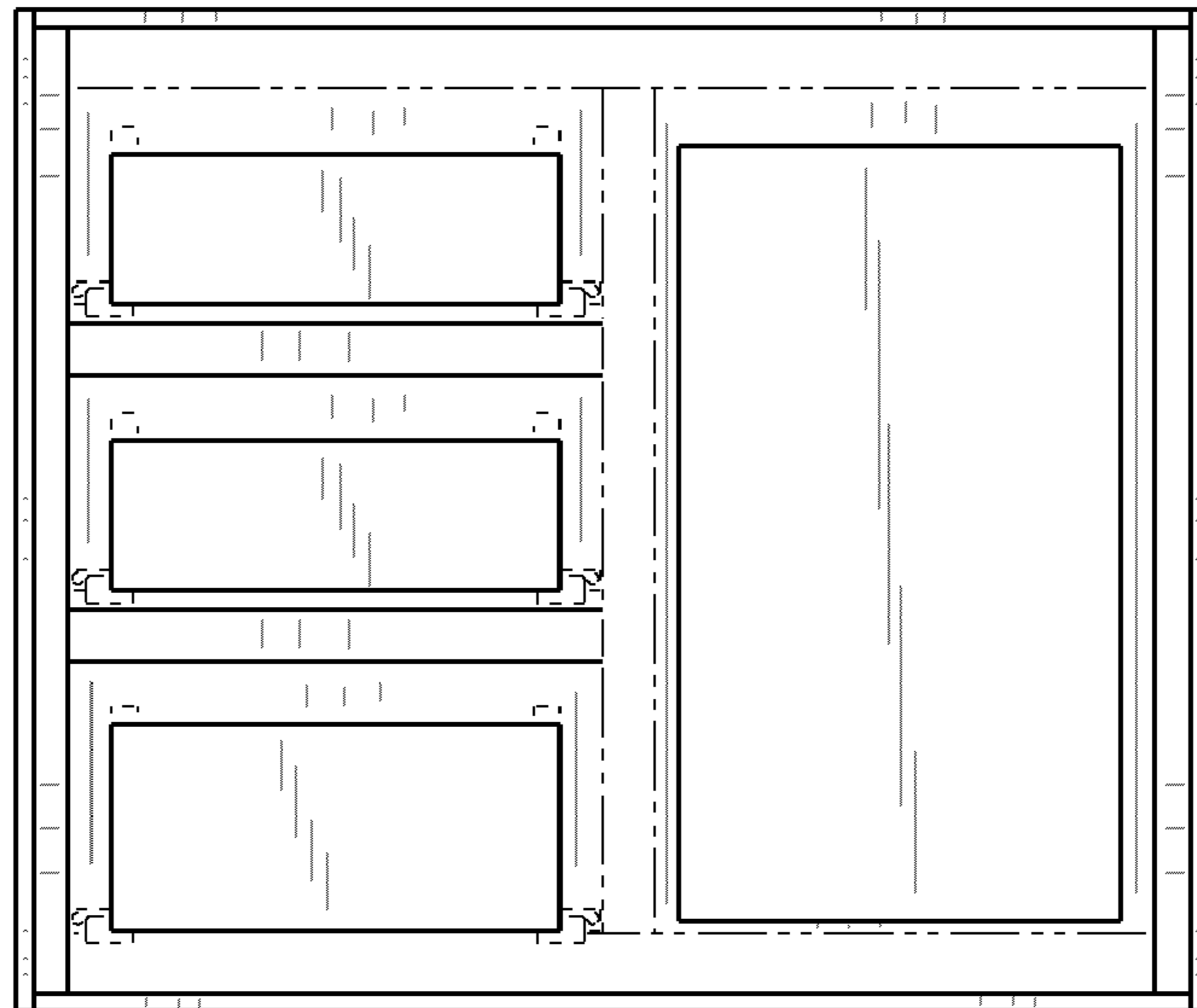


FIG. 3



FIG. 4

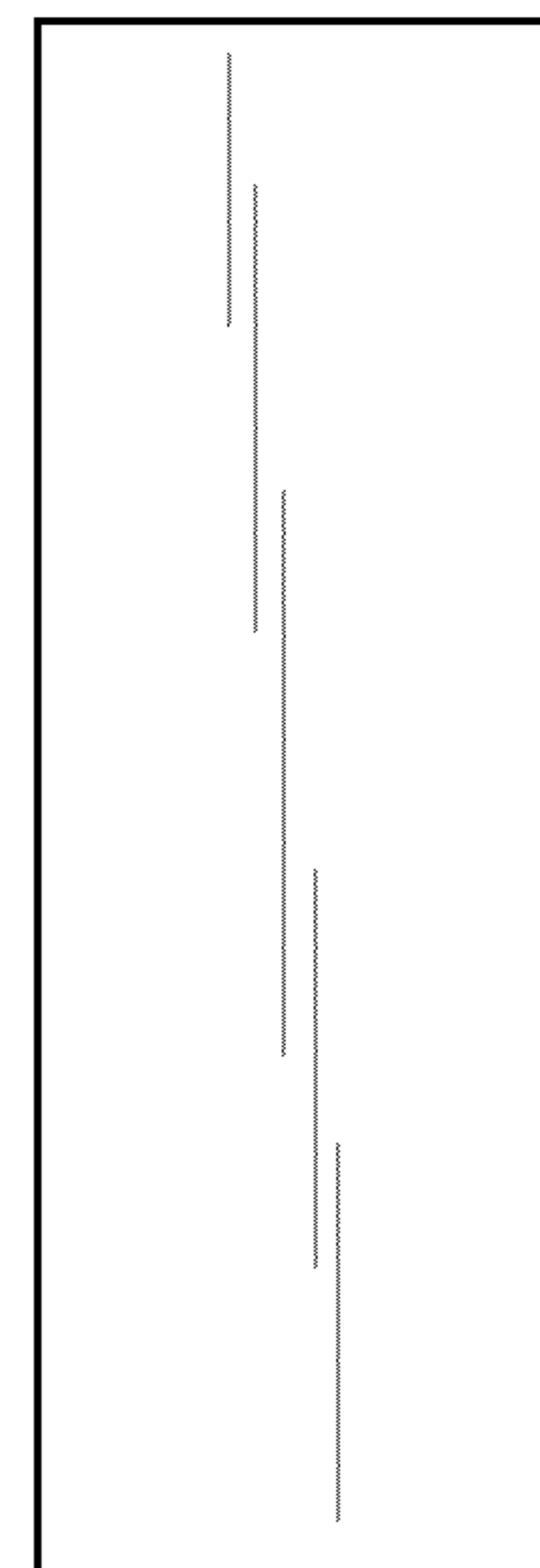


FIG. 5