



US00D632504S

(12) **United States Design Patent**
Yeh

(10) **Patent No.:** **US D632,504 S**

(45) **Date of Patent:** **** Feb. 15, 2011**

(54) **FLOWERPOT HOLDER**

(76) Inventor: **Jui-Ju Yeh**, 14F, No. 223, Sec. 5,
Nanking E. Rd., Taipei (TW)

(**) Term: **14 Years**

(21) Appl. No.: **29/360,623**

(22) Filed: **Apr. 28, 2010**

(51) **LOC (9) Cl.** **11-02**

(52) **U.S. Cl.** **D6/403**

(58) **Field of Classification Search** D6/403-405,
D6/556-558; D8/1; D11/143-156, 164;
D19/77, 80, 81, 84; D25/100; D26/9-11,
D26/16, 19; D34/1, 2, 4-6; D99/5, 19; 47/17,
47/32.4, 32.5, 32.7, 33, 39, 41.01, 41.1, 41.11-41.15,
47/44-47, 65, 65.5, 65.9, 66.1, 66.2, 66.6,
47/66.7, 67-71

See application file for complete search history.

(56) **References Cited**

U.S. PATENT DOCUMENTS

D34,881 S *	7/1901	Keiper	D11/143
1,484,403 A *	2/1924	Miller	47/67
D195,568 S *	7/1963	Gleitsman	D6/412
D251,042 S *	2/1979	Handler et al.	D6/405
D566,985 S *	4/2008	Hana	D6/403
D579,230 S *	10/2008	Denham	D6/405
D589,719 S *	4/2009	Cute	D6/404
D589,720 S *	4/2009	Cute	D6/404

* cited by examiner

Primary Examiner—Garth Rademaker

(74) *Attorney, Agent, or Firm*—patenttm.us

(57) **CLAIM**

The ornamental design for a flowerpot holder, as shown and described.

DESCRIPTION

FIG. 1 is a perspective view of a flowerpot holder showing my new design;

FIG. 2 is a front view thereof;

FIG. 3 is a rear view thereof;

FIG. 4 is a left side view thereof;

FIG. 5 is a right side view thereof;

FIG. 6 is top view thereof;

FIG. 7 is a bottom view thereof;

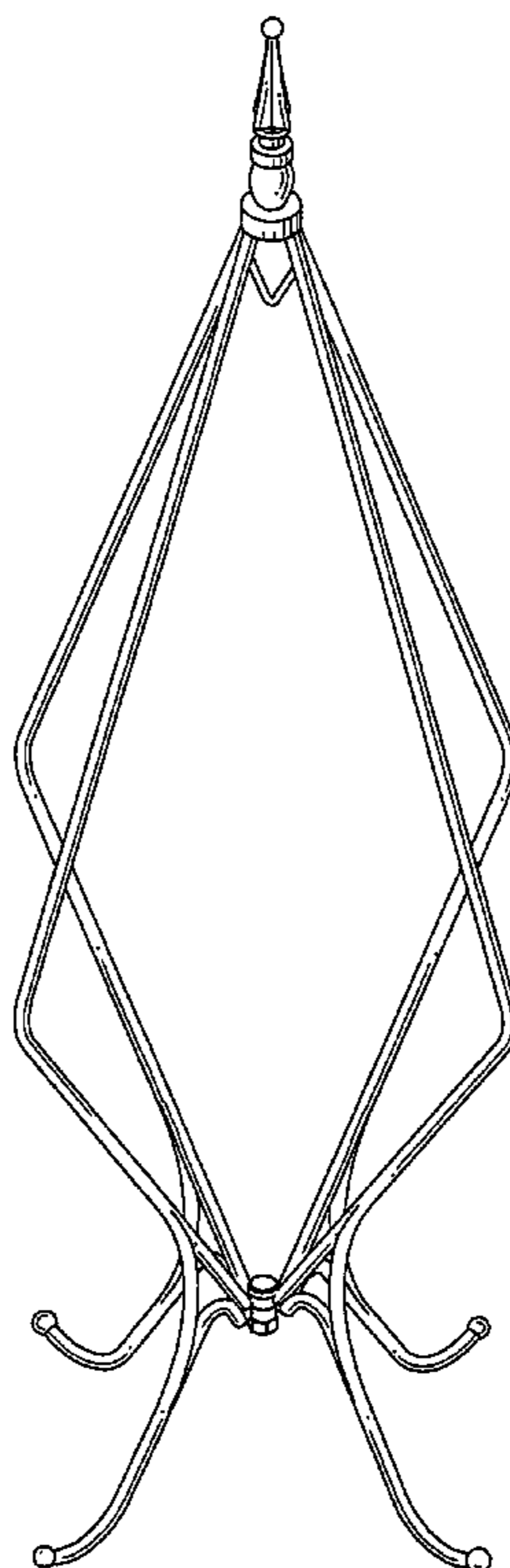
FIG. 8 is another perspective view thereof;

FIG. 9 is a partial top view thereof, shown at an enlarged scale; and,

FIG. 10 is a partial bottom view thereof, shown at an enlarged scale.

The broken lines shown in FIGS. 9 and 10 depict the boundaries of the figures and form no part of the claimed design.

1 Claim, 9 Drawing Sheets



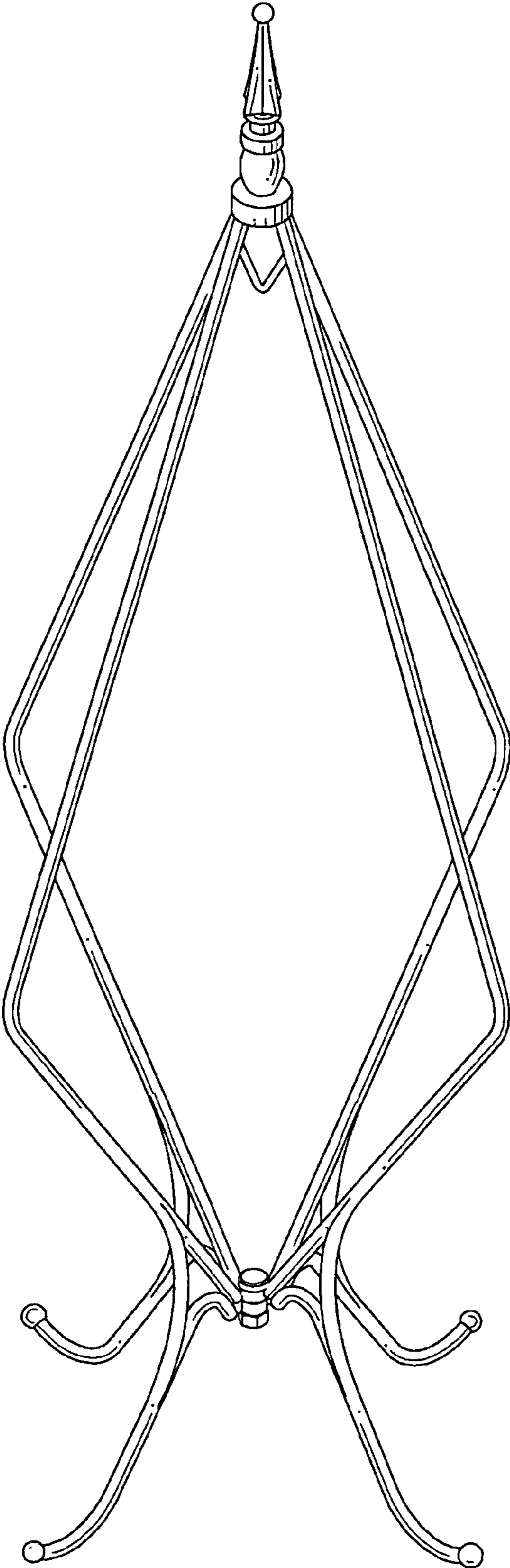


FIG.1

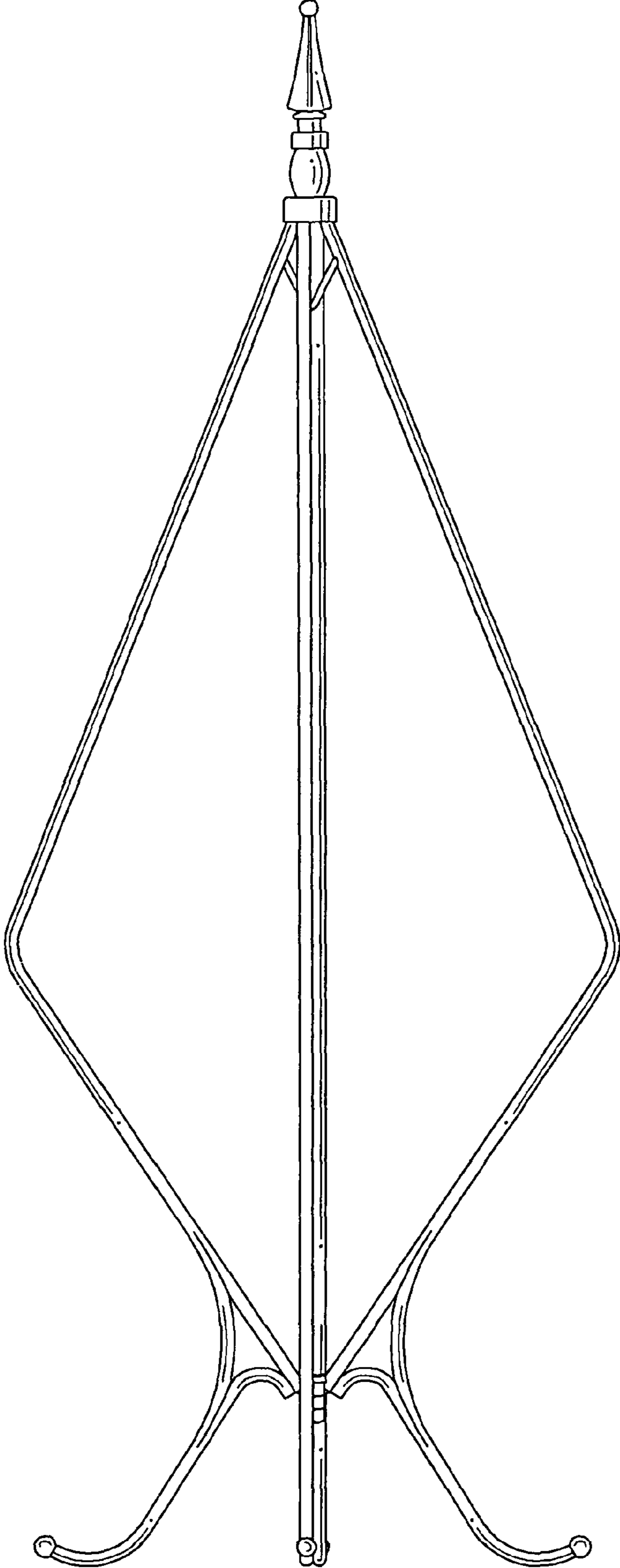


FIG.2

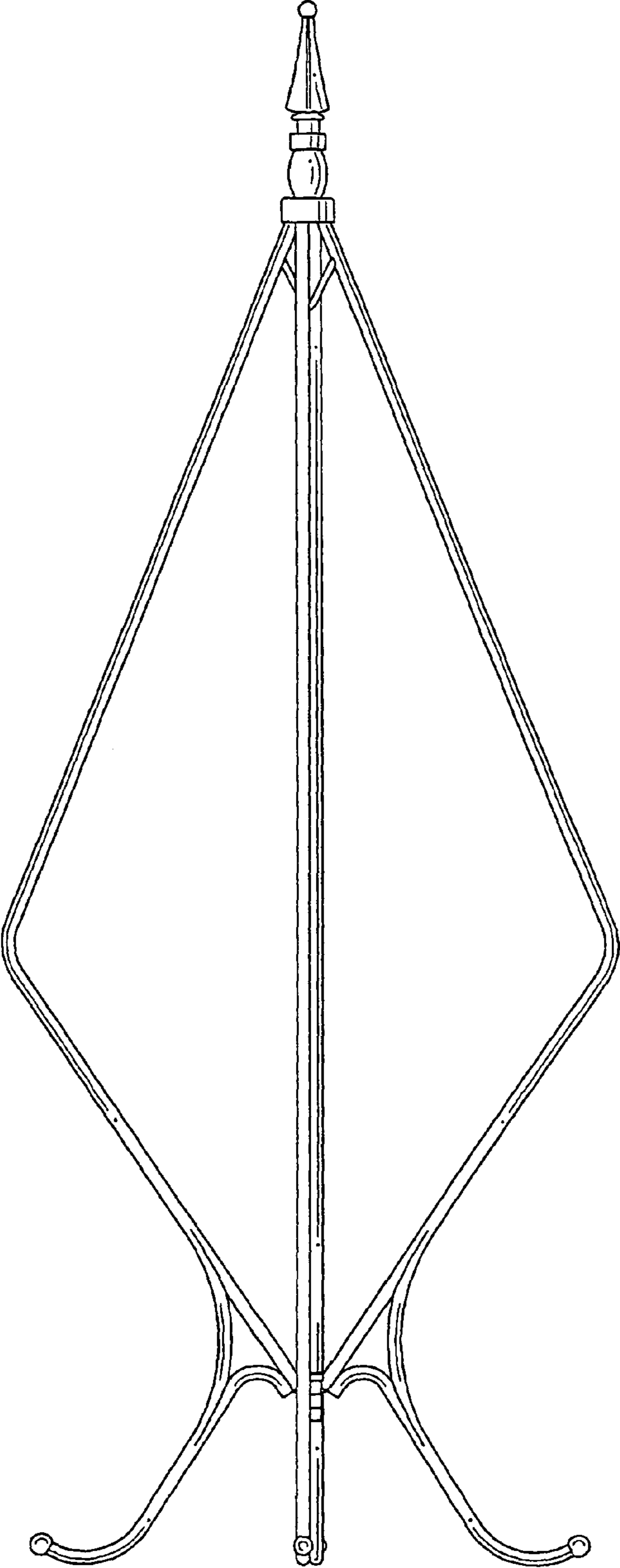


FIG.3

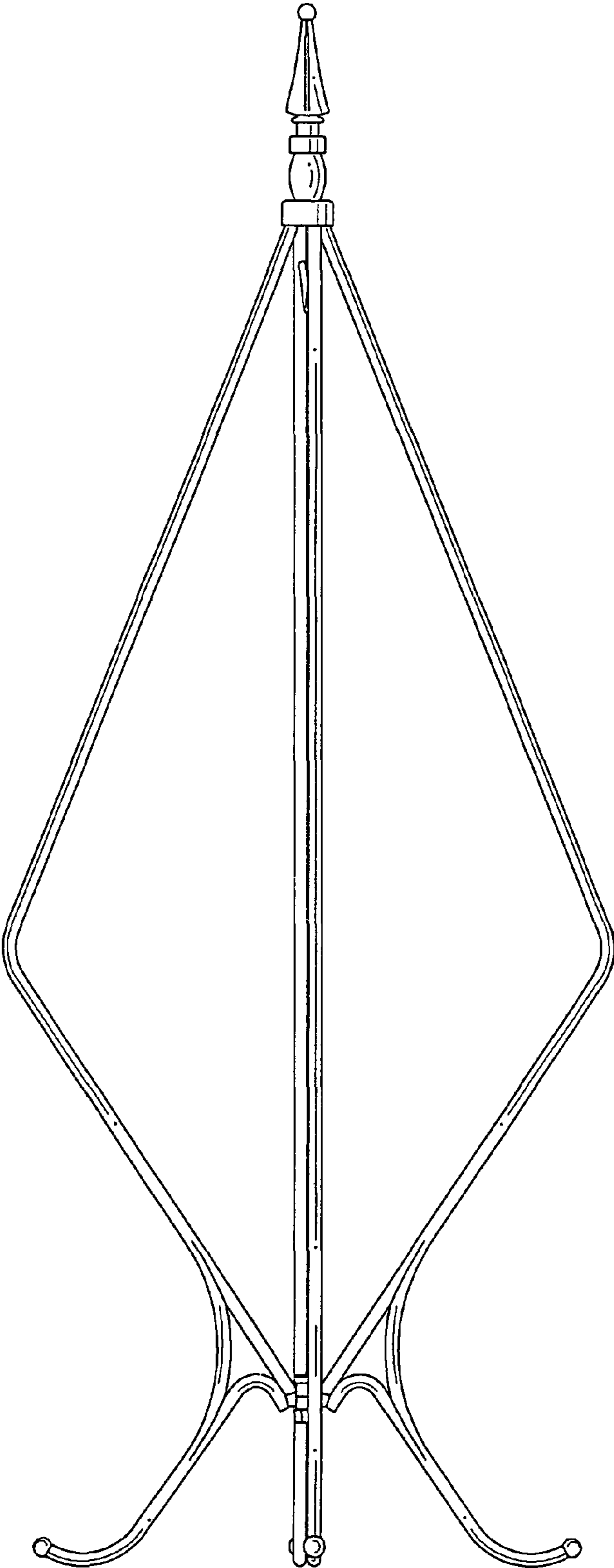


FIG.4

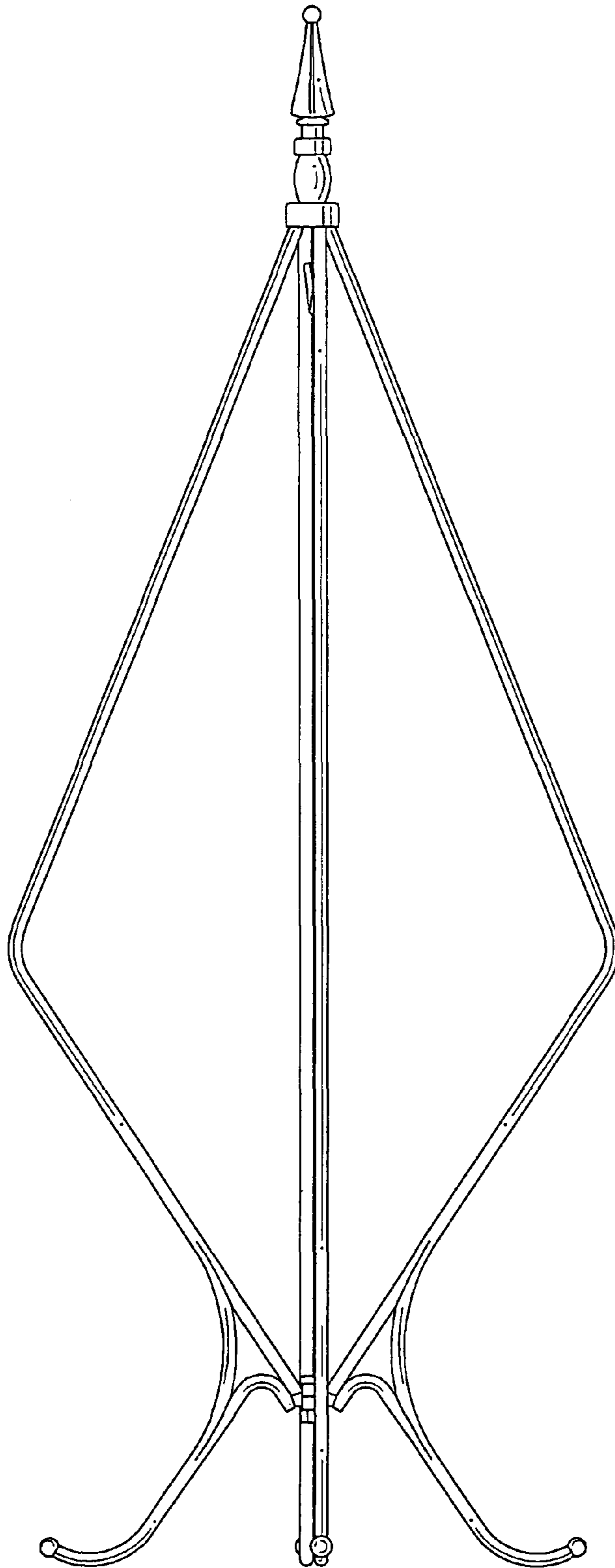


FIG.5

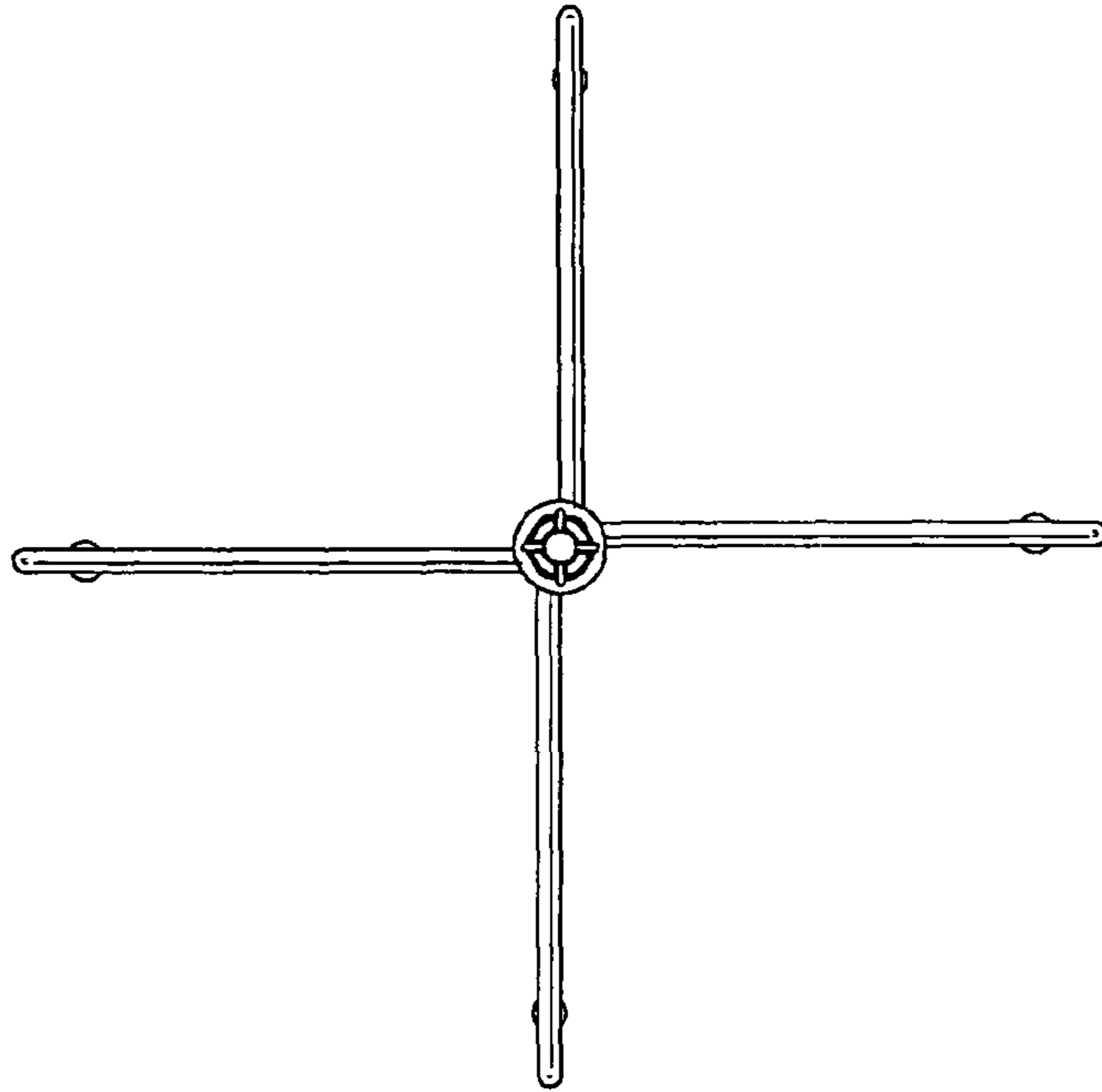


FIG.6

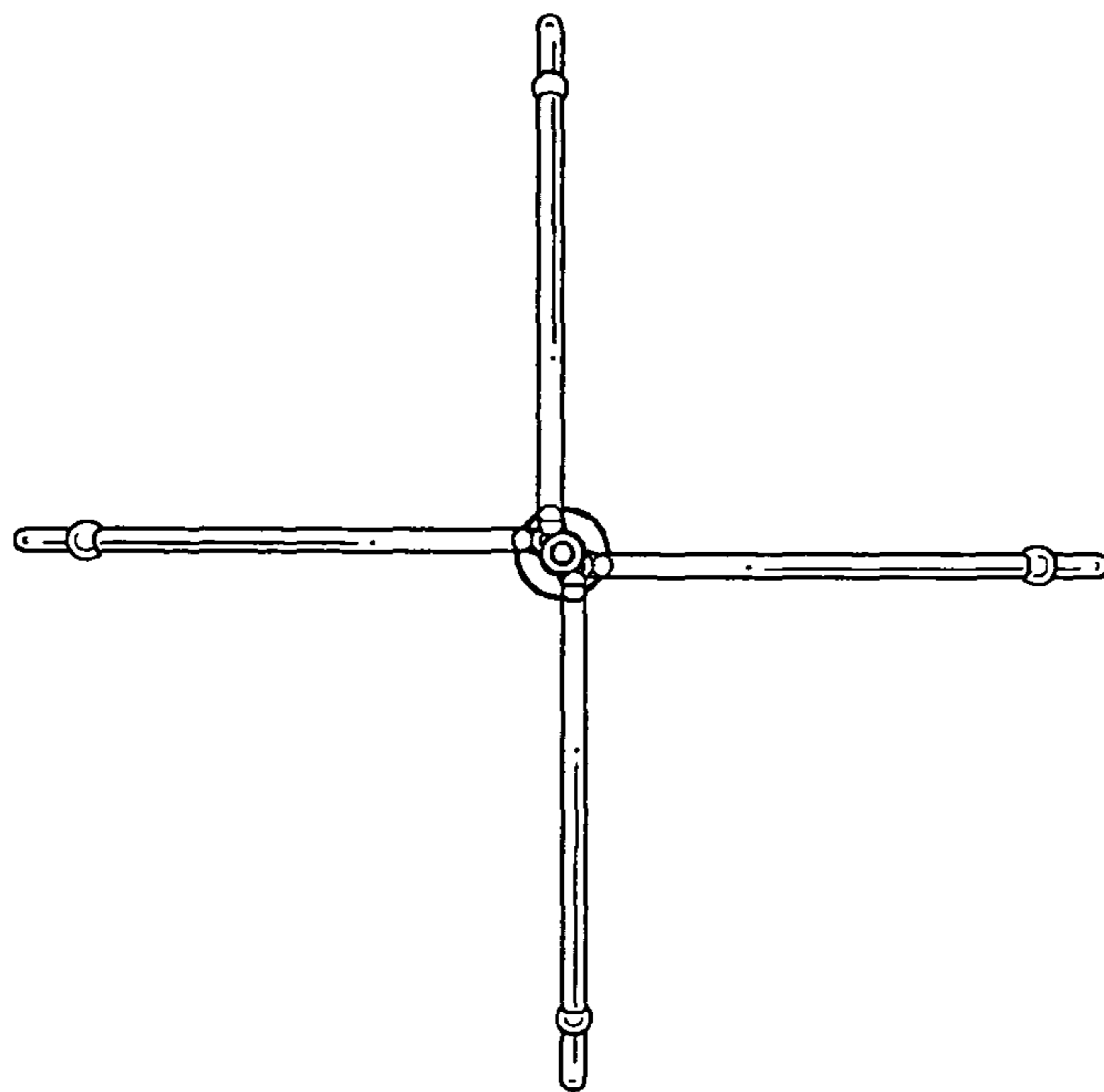


FIG.7

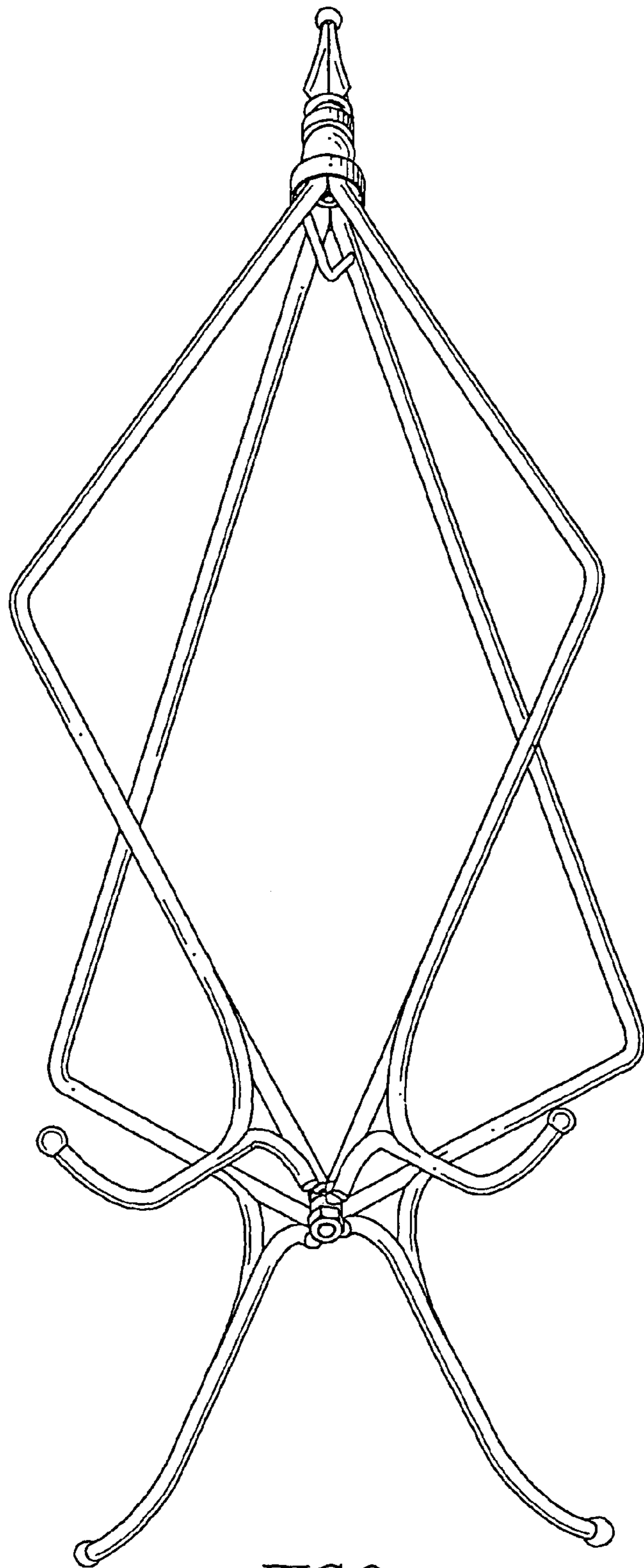


FIG.8

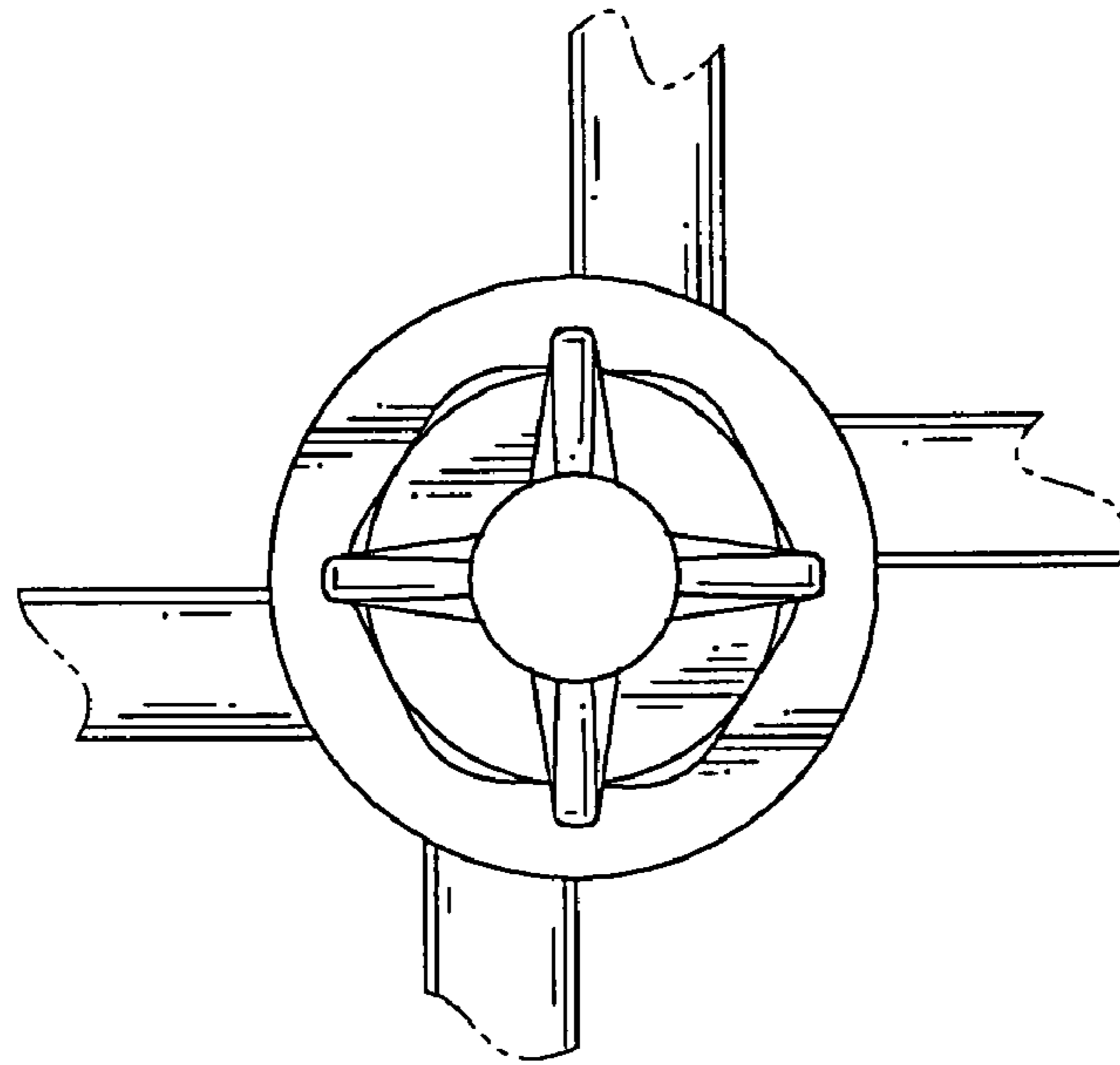


FIG.9

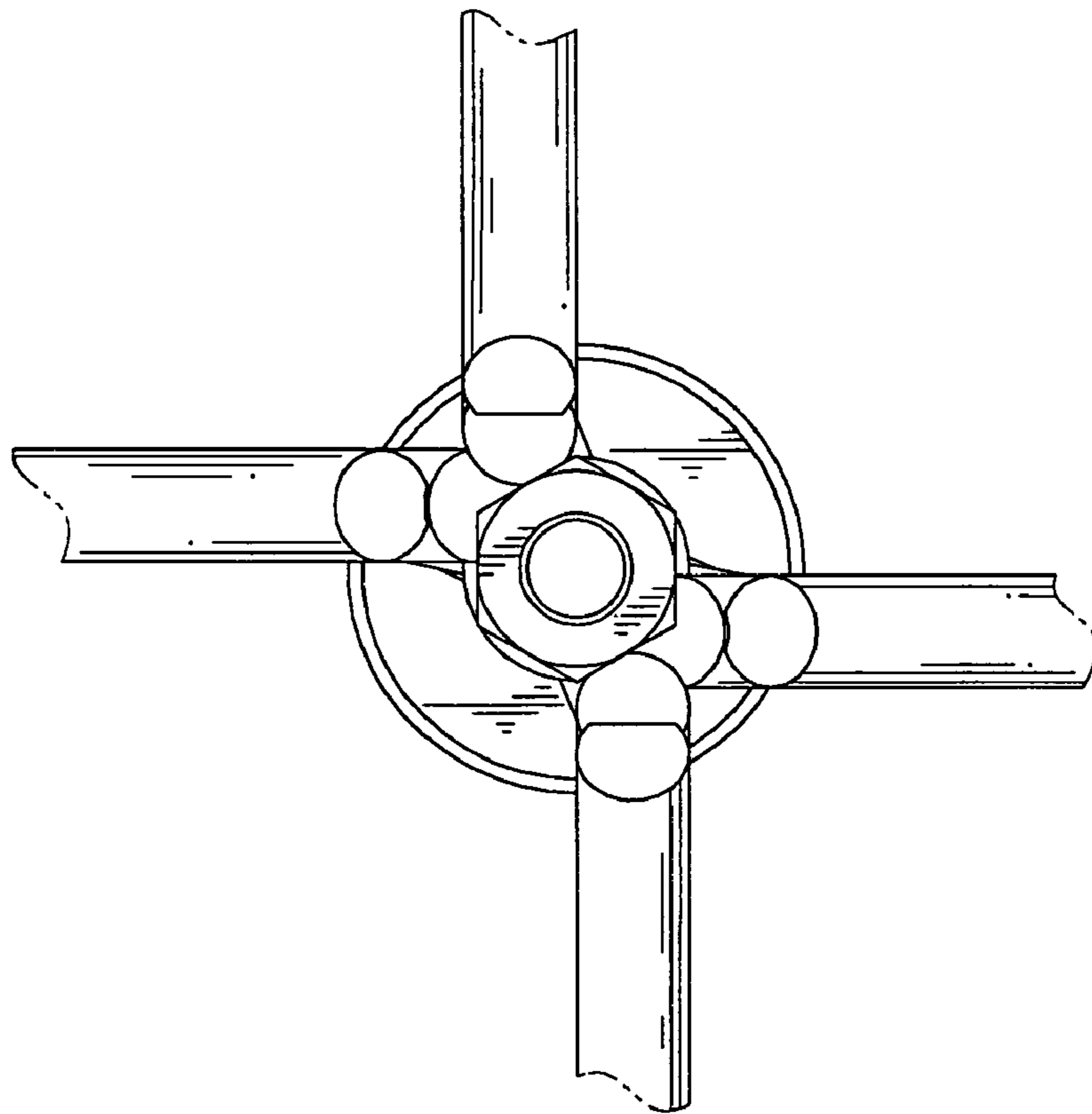


FIG.10