



US00D632503S

(12) **United States Design Patent**
Saul

(10) **Patent No.:** **US D632,503 S**
(45) **Date of Patent:** **** Feb. 15, 2011**

(54) **CONVERTIBLE FOLDING CHAIR AND TABLE**

(76) Inventor: **Gregory M. Saul**, 2406 Dunavant, Charlotte, NC (US) 28203

(**) Term: **14 Years**

(21) Appl. No.: **29/367,866**

(22) Filed: **Aug. 13, 2010**

Related U.S. Application Data

(63) Continuation-in-part of application No. 29/346,052, filed on Oct. 26, 2009, now Pat. No. Des. 621,628.

(51) **LOC (9) Cl.** **06-01**

(52) **U.S. Cl.** **D6/335**

(58) **Field of Classification Search** D6/334, D6/335, 336, 337, 349, 361, 369, 374, 491, D6/500-502, 480, 482, 486; 297/63, 94, 297/232, 233, 248, 283.1, 283.2, 535, 354.1, 297/445.1, 446.1, 448.1; 5/12.1, 12.2
See application file for complete search history.

(56) **References Cited**

U.S. PATENT DOCUMENTS

2,108,241 A 2/1938 Wallace

(Continued)

Primary Examiner—Sandra Snapp

(74) *Attorney, Agent, or Firm*—Henry B. Ward, III; Moore & Van Allen PLLC

(57) **CLAIM**

The ornamental design for a convertible folding chair and table, as shown and described.

DESCRIPTION

FIG. 1 is a front, top and right-side-perspective view of a convertible folding chair and table in a chair position;

FIG. 2 is a top-plan view thereof;

FIG. 3 is a left-side-elevation view thereof;

FIG. 4 is a front-elevation view thereof;

FIG. 5 is a right-side-elevation view thereof;

FIG. 6 is a rear-elevation view thereof;

FIG. 7 is a bottom-plan view thereof;

FIG. 8 is a front, top, and right-side perspective view of a convertible folding chair and table in a table position, with the top removed for ease of illustration;

FIG. 9 is a top-plan view of FIG. 8;

FIG. 10 is a left-side-elevation view of FIG. 8;

FIG. 11 is a front-elevation view of FIG. 8;

FIG. 12 is a right-side-elevation view of FIG. 8;

FIG. 13 is a rear-elevation view of FIG. 8;

FIG. 14 is a bottom-plan view of FIG. 8;

FIG. 15 is a front, top, and right-side perspective view of a convertible folding chair and table in a table position with the top thereon;

FIG. 16 is a top-plan view of FIG. 15;

FIG. 17 is a left-side-elevation view of FIG. 15;

FIG. 18 is a front-elevation view of FIG. 15;

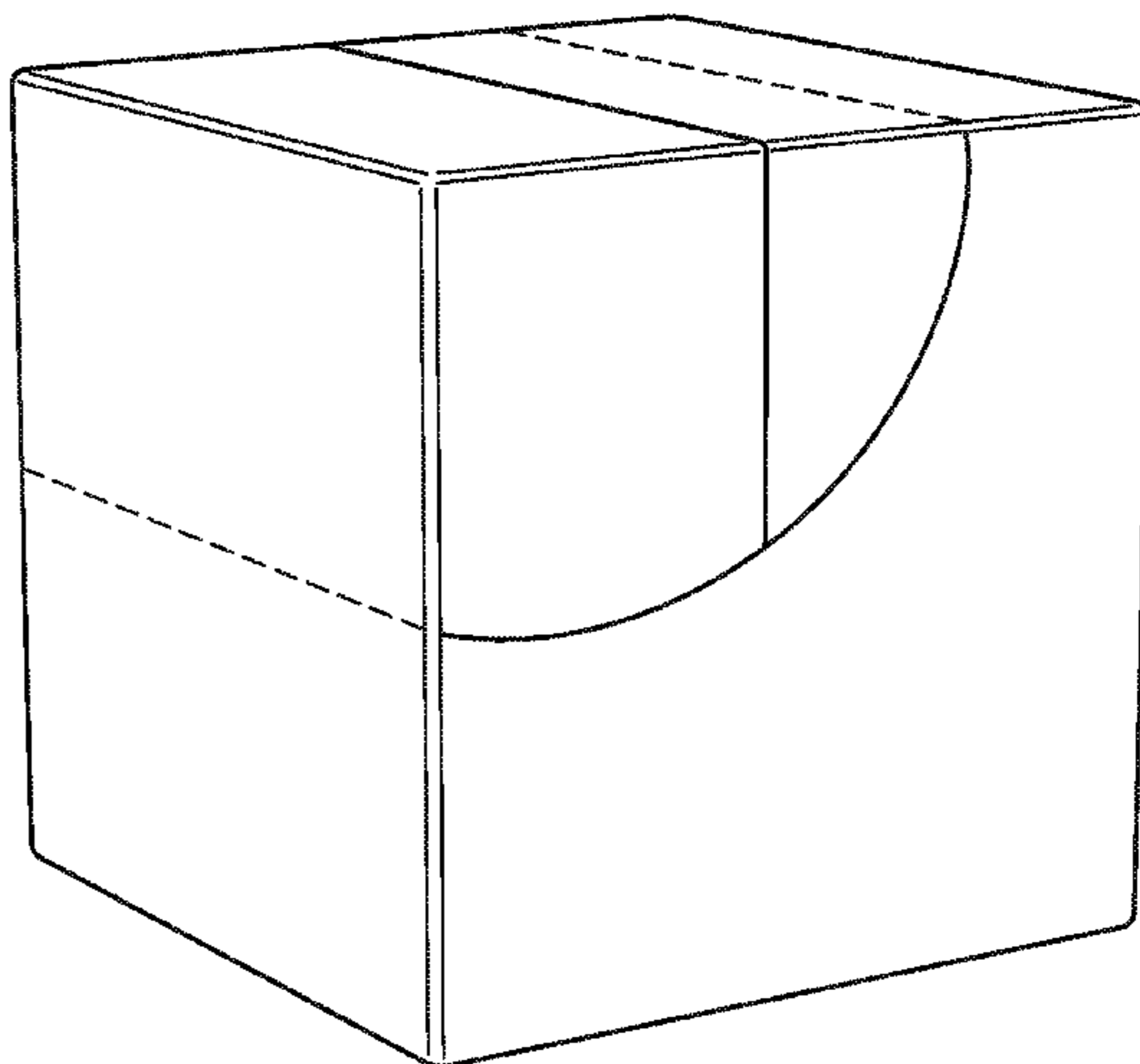
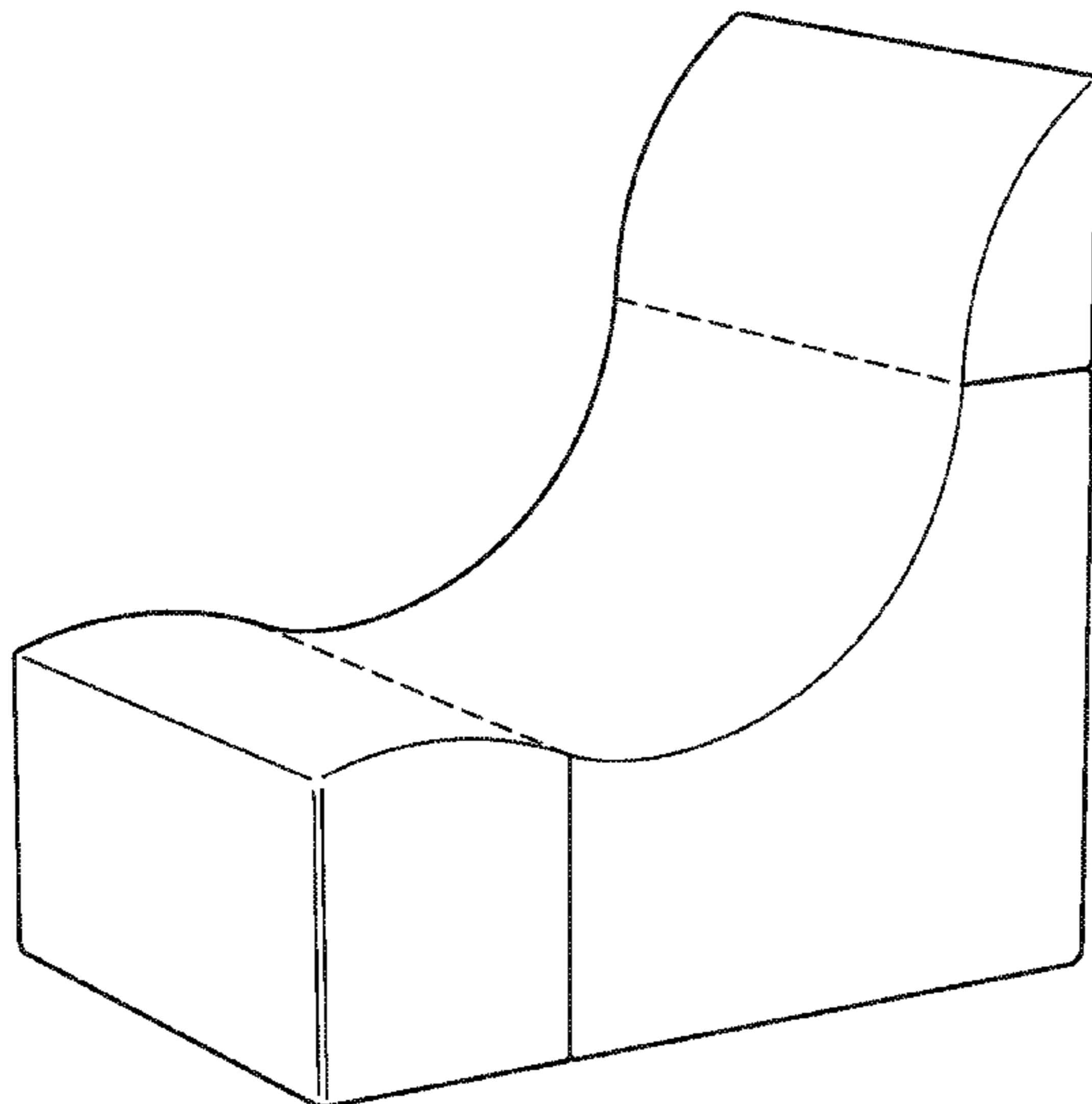
FIG. 19 is a right-side-elevation view of FIG. 15;

FIG. 20 is a rear-elevation view of FIG. 15; and,

FIG. 21 is a bottom-plan view of FIG. 15.

The broken lines shown in the drawings are shown for illustrative purposes only and form no part of the claimed design. In addition, the surface shading, if any, illustrated in the drawings is provided merely to highlight the contour of the design; it is not intended to be illustrative of texture or gloss.

1 Claim, 6 Drawing Sheets



US D632,503 S

Page 2

U.S. PATENT DOCUMENTS

2,593,319	A	4/1952	Levitin et al.	D337,445	S	7/1993	Sando
D167,514	S	8/1952	Hicks	5,299,337	A	4/1994	Venza
2,693,846	A	11/1954	Luttio	D366,966	S	2/1996	Bonaddio et al.
2,896,695	A *	7/1959	Ashworth 297/105	D372,805	S	8/1996	Bonaddio et al.
2,896,965	A	7/1959	Moustakis	D396,757	S	8/1998	Katz et al.
3,469,882	A	9/1969	Larsen	6,170,908	B1	1/2001	Jewell
D220,952	S	6/1971	Peterson	6,270,155	B1	8/2001	Rashid
3,672,720	A	6/1972	Wilson	6,823,545	B1	11/2004	Davis
3,736,023	A	5/1973	Lyons	D503,548	S	4/2005	Peters
3,742,526	A	7/1973	Lillard	D503,855	S	4/2005	Best
3,902,759	A	9/1975	Monteforte et al.	D510,486	S	10/2005	Karl
D274,576	S	7/1984	Tiffany	D518,301	S	4/2006	Ng et al.
4,518,203	A	5/1985	White	D548,987	S	8/2007	McNae
4,635,306	A *	1/1987	Willey 5/632	D558,470	S	1/2008	Williams et al.
4,970,742	A	11/1990	Keener	D587,024	S	2/2009	Turco-Rivas
D335,035	S	4/1993	Floyd	D588,368	S *	3/2009	McCoy et al. D6/344
				D621,628	S *	8/2010	Saul D6/335

* cited by examiner

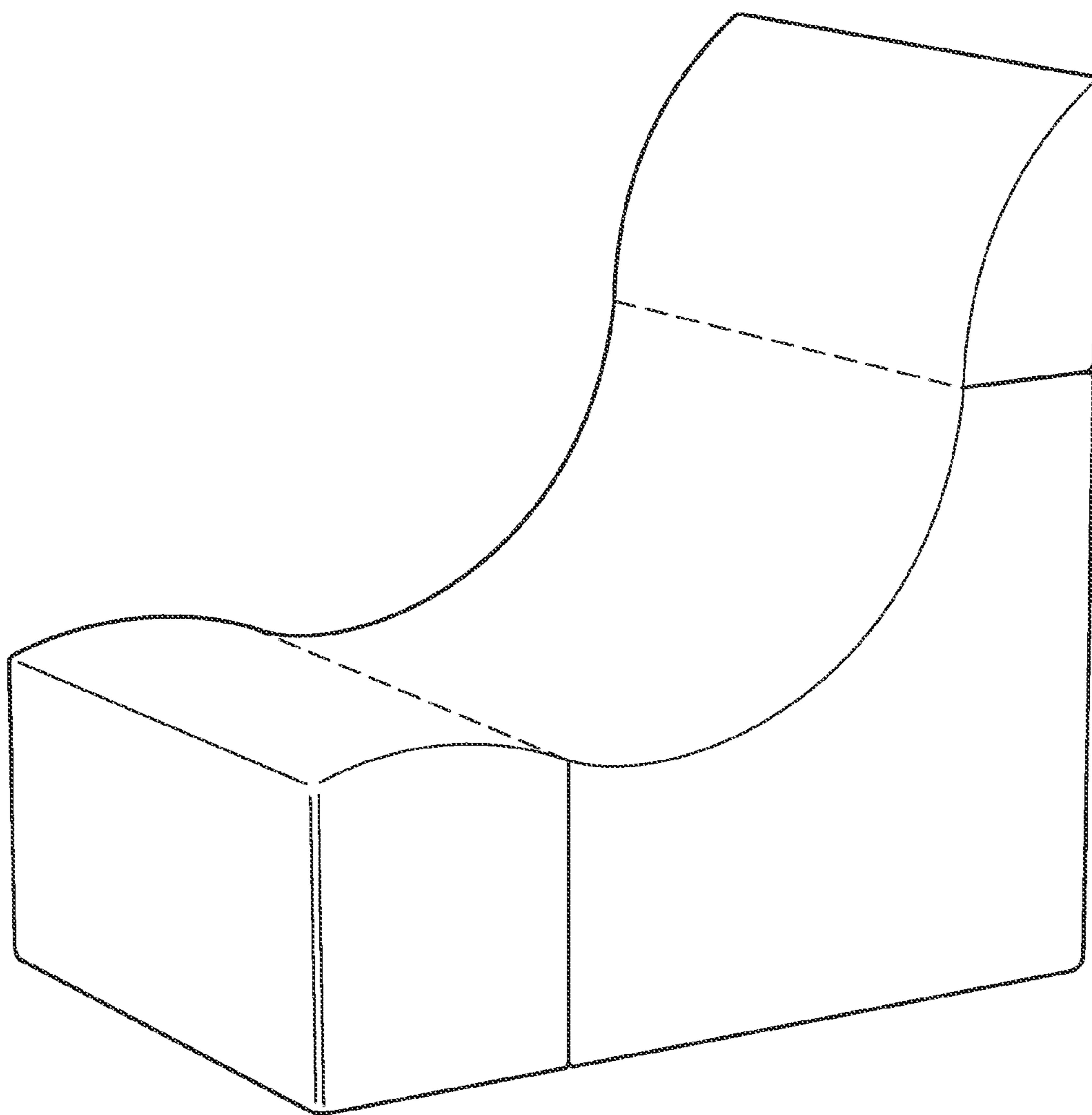


FIG. 1

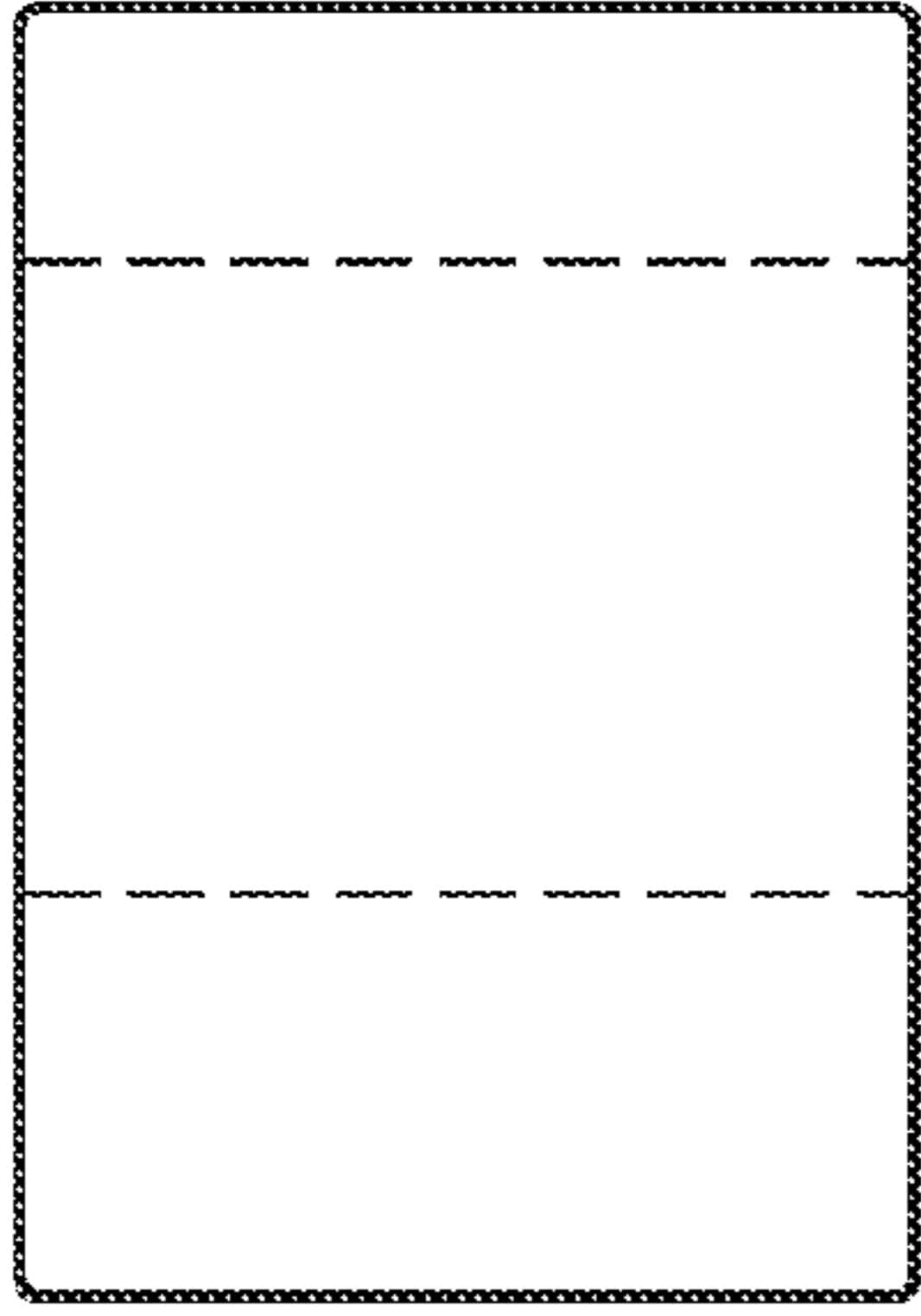


FIG. 2

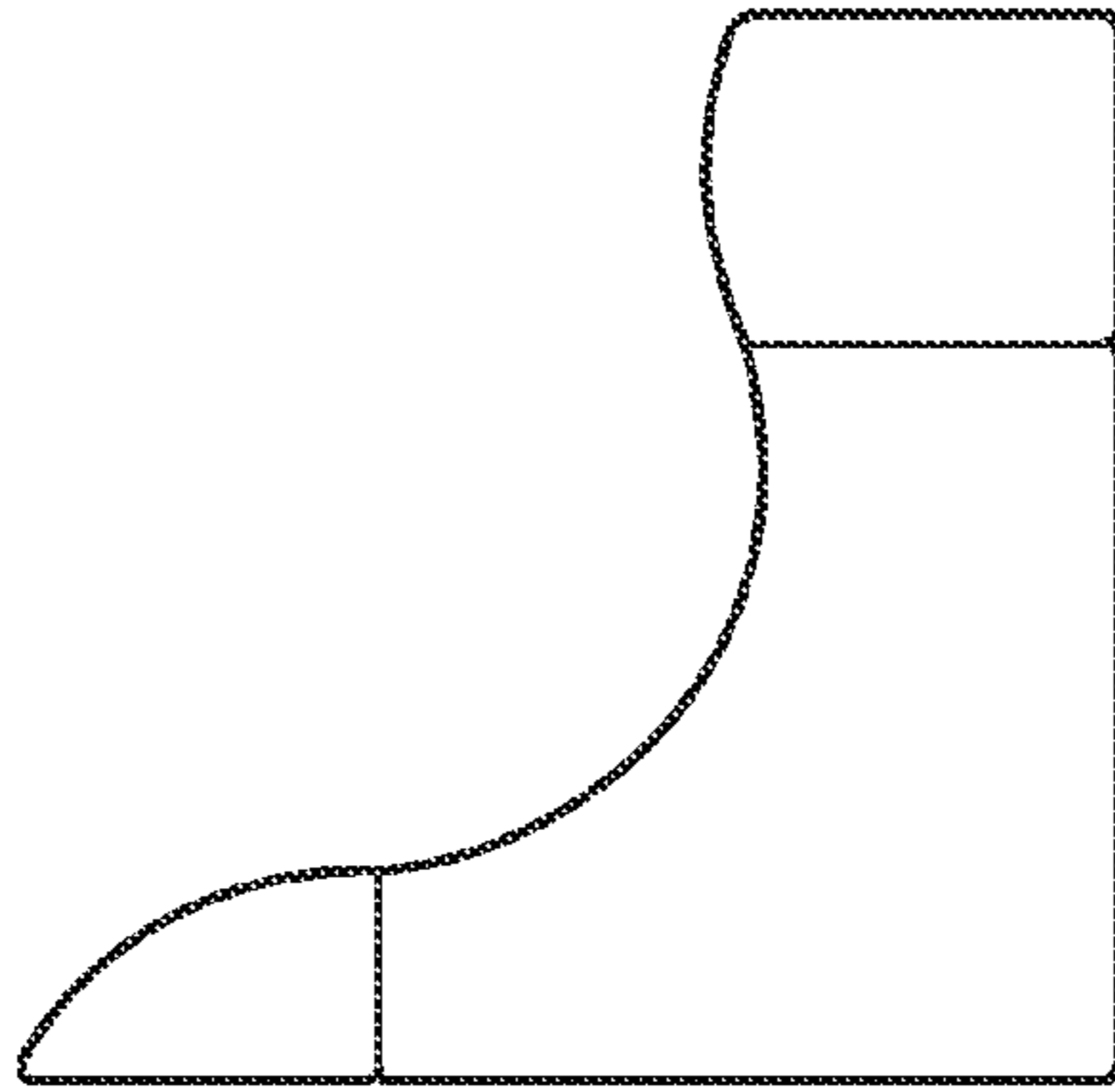


FIG. 3

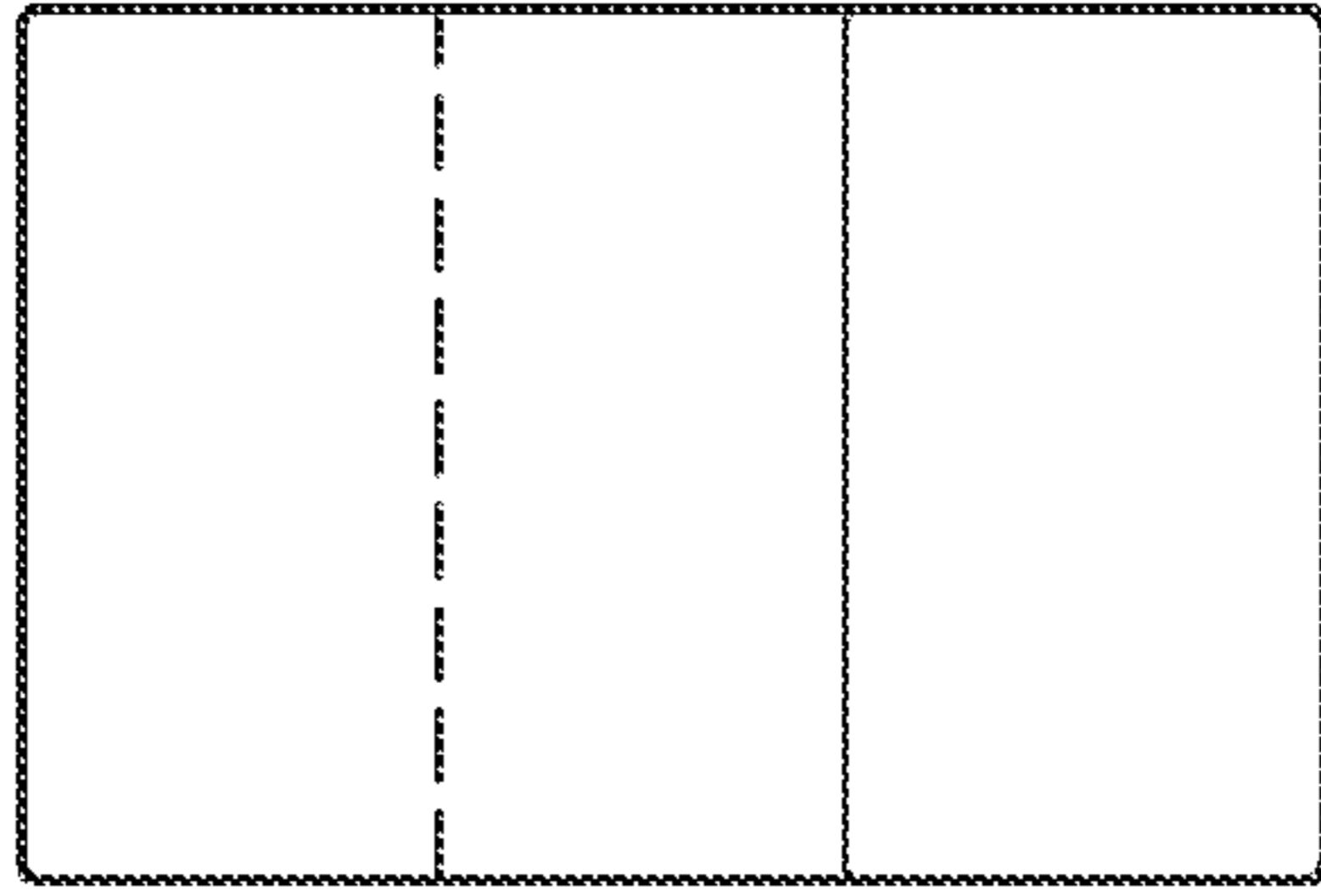


FIG. 4

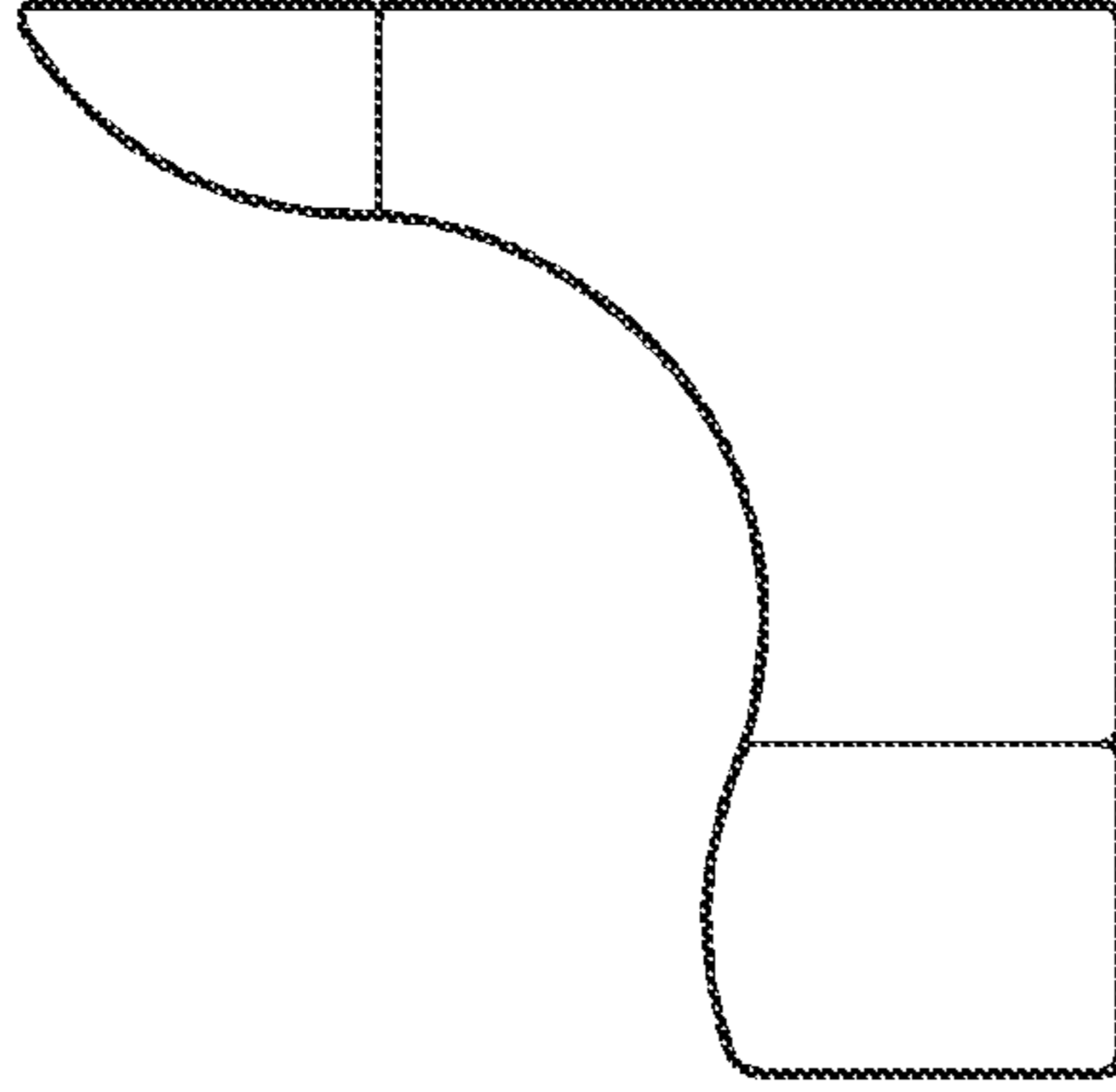


FIG. 5

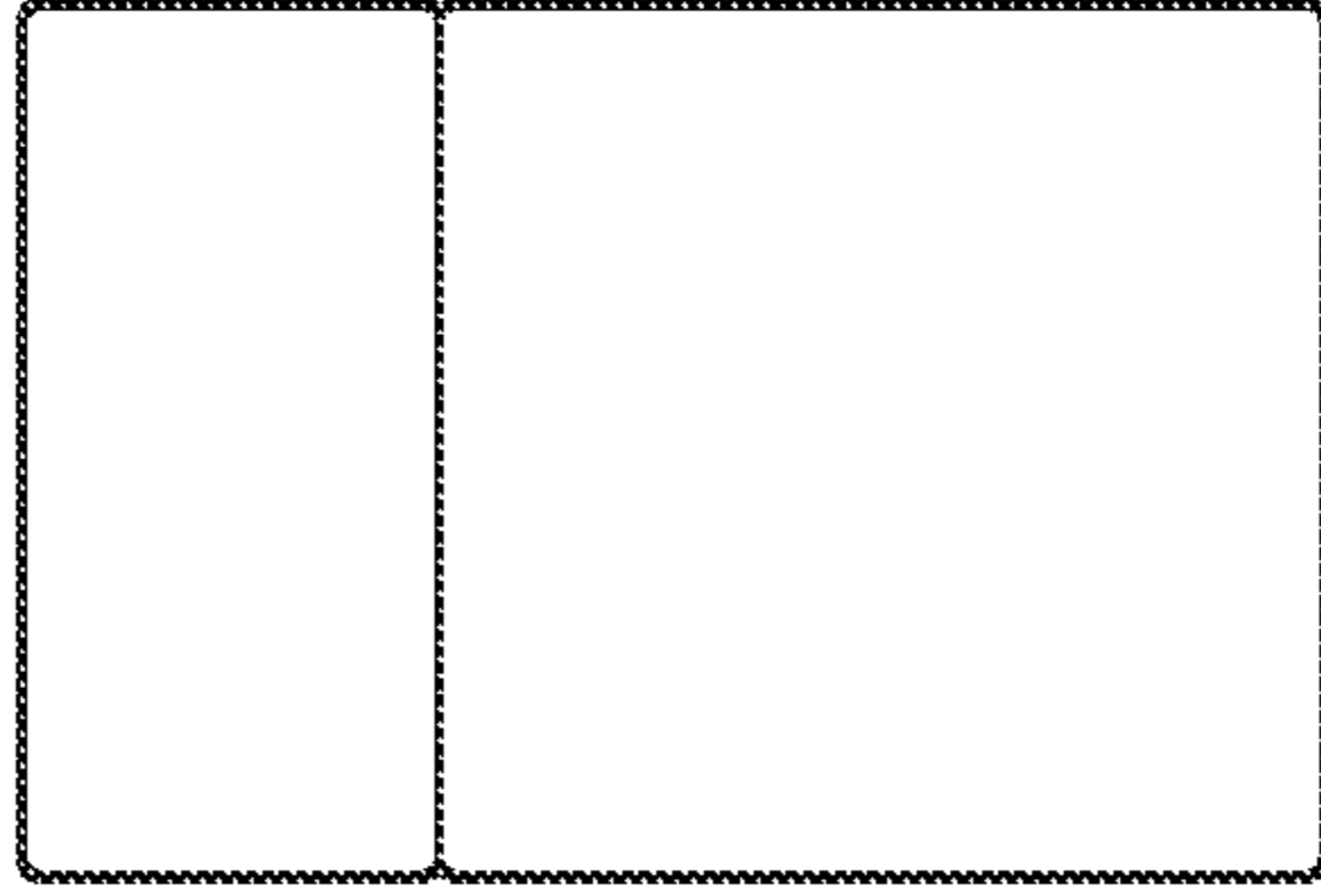


FIG. 6

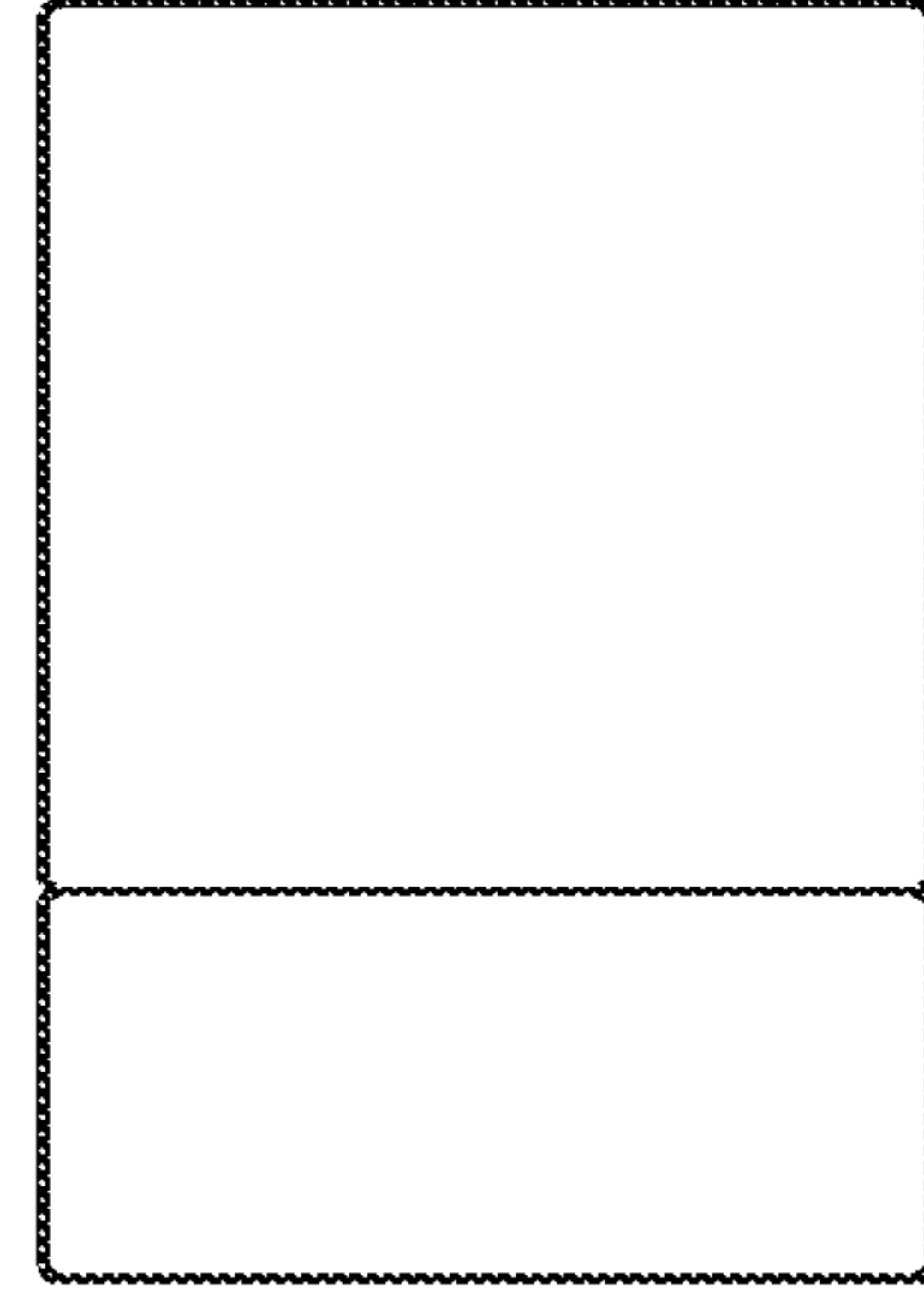


FIG. 7

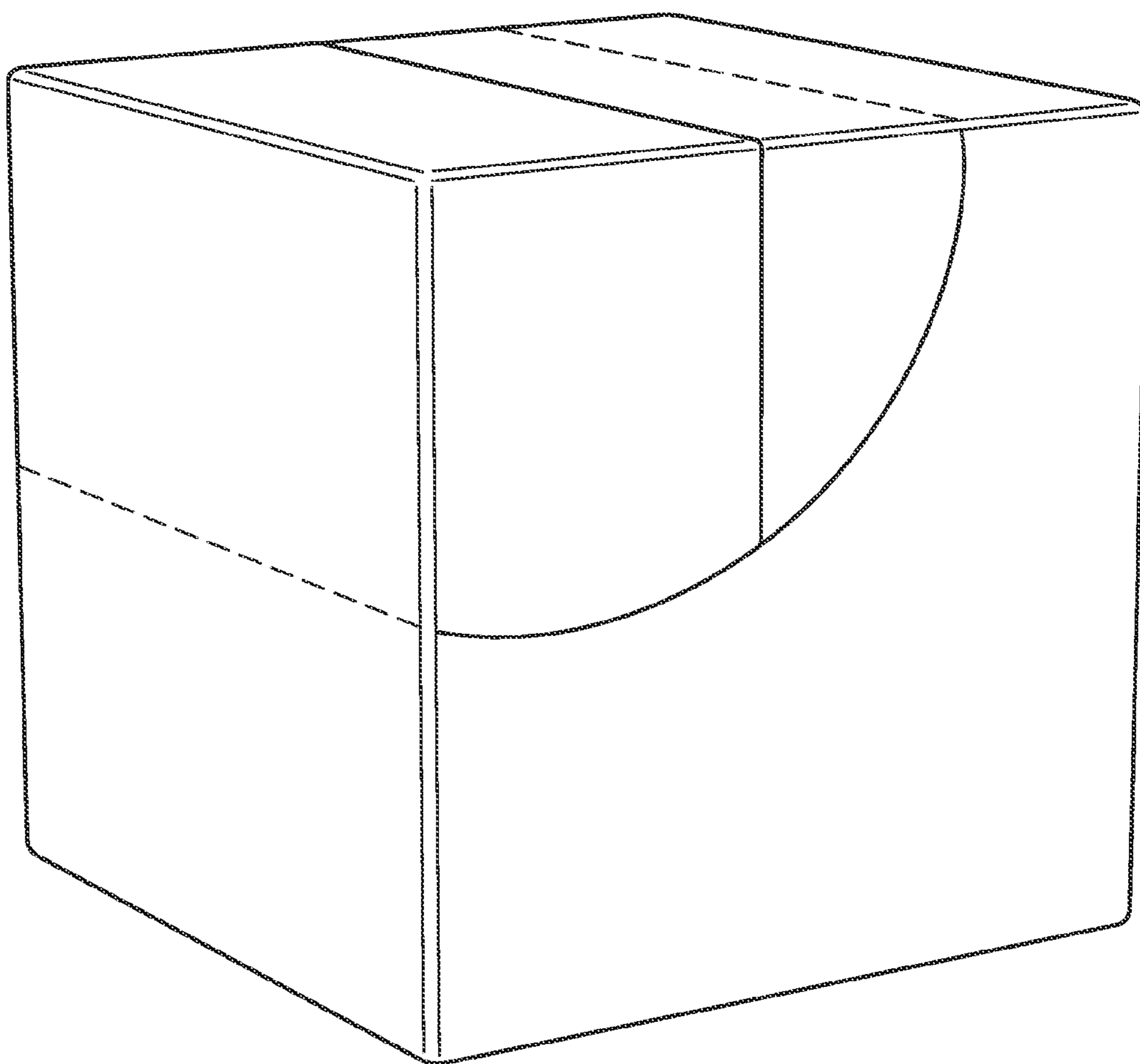


FIG. 8

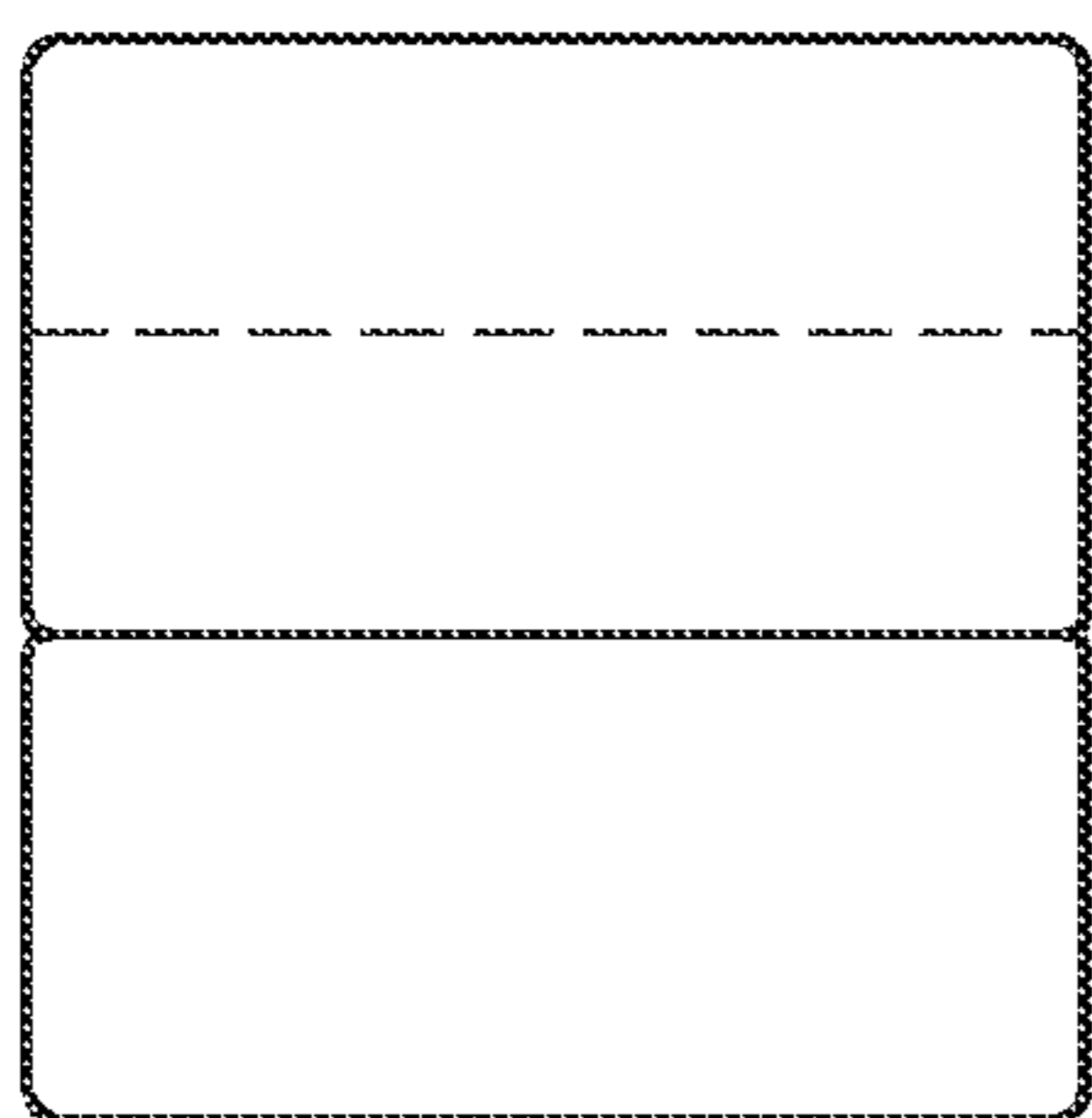


FIG. 9

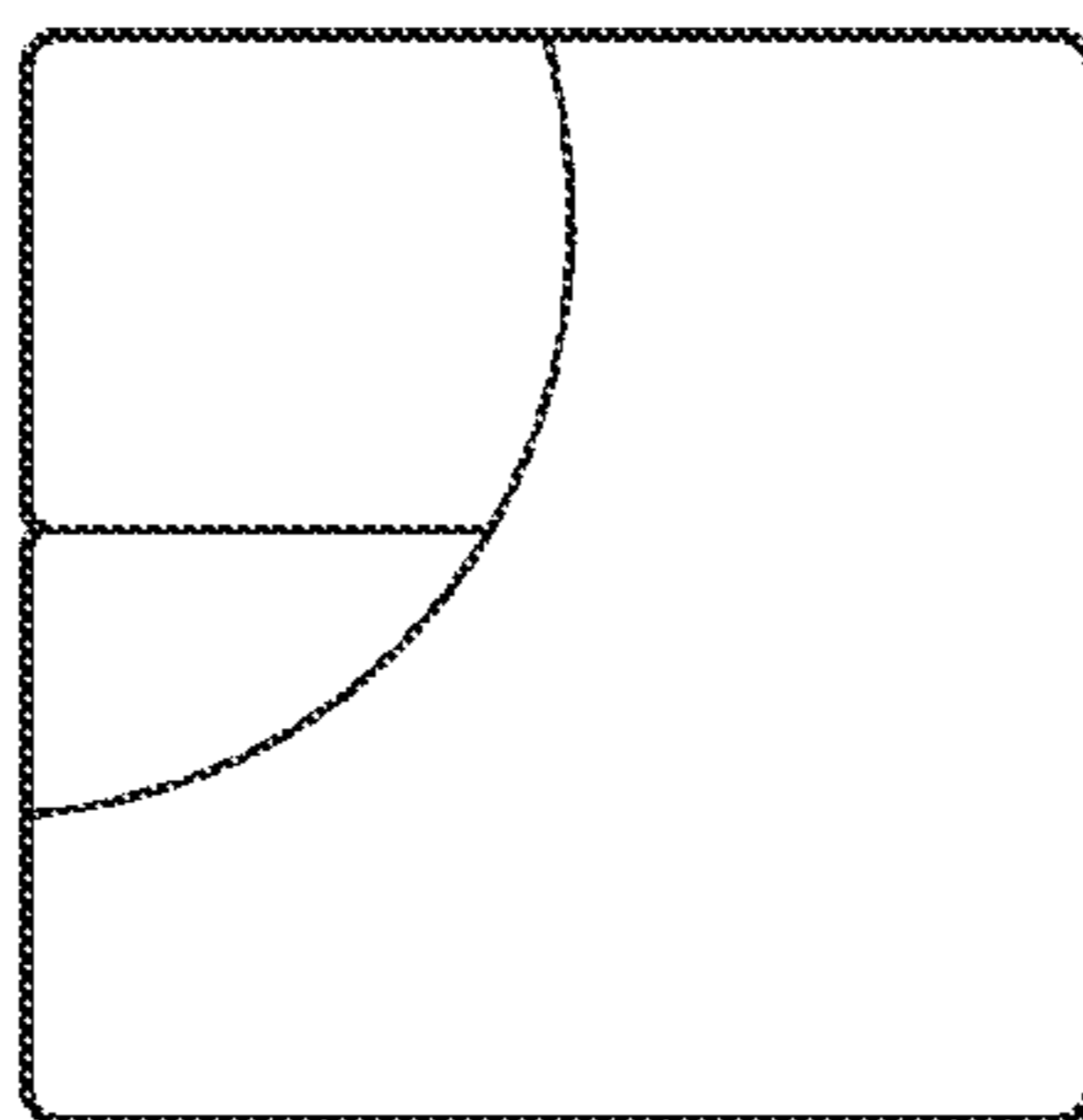


FIG. 10

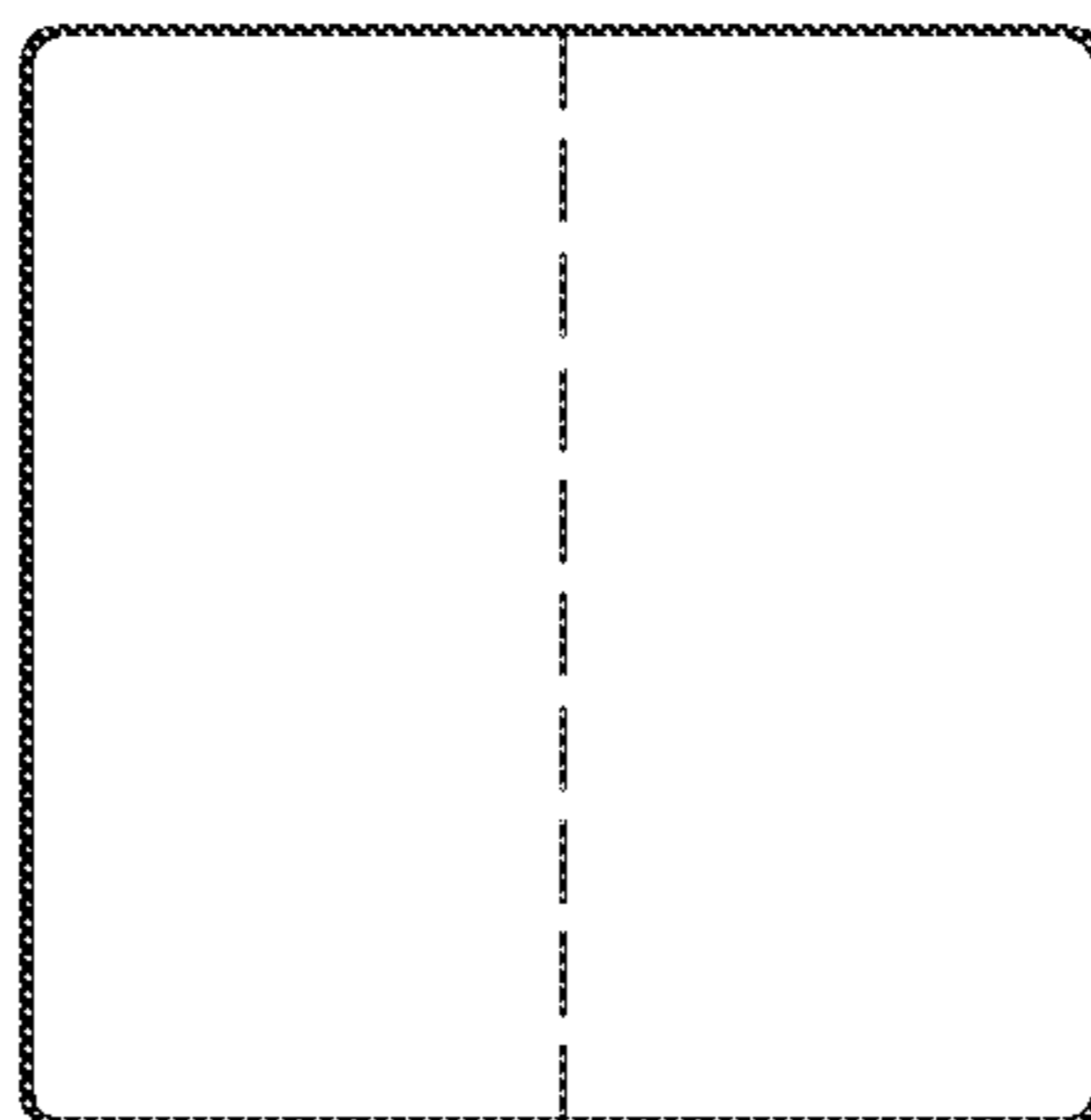


FIG. 11

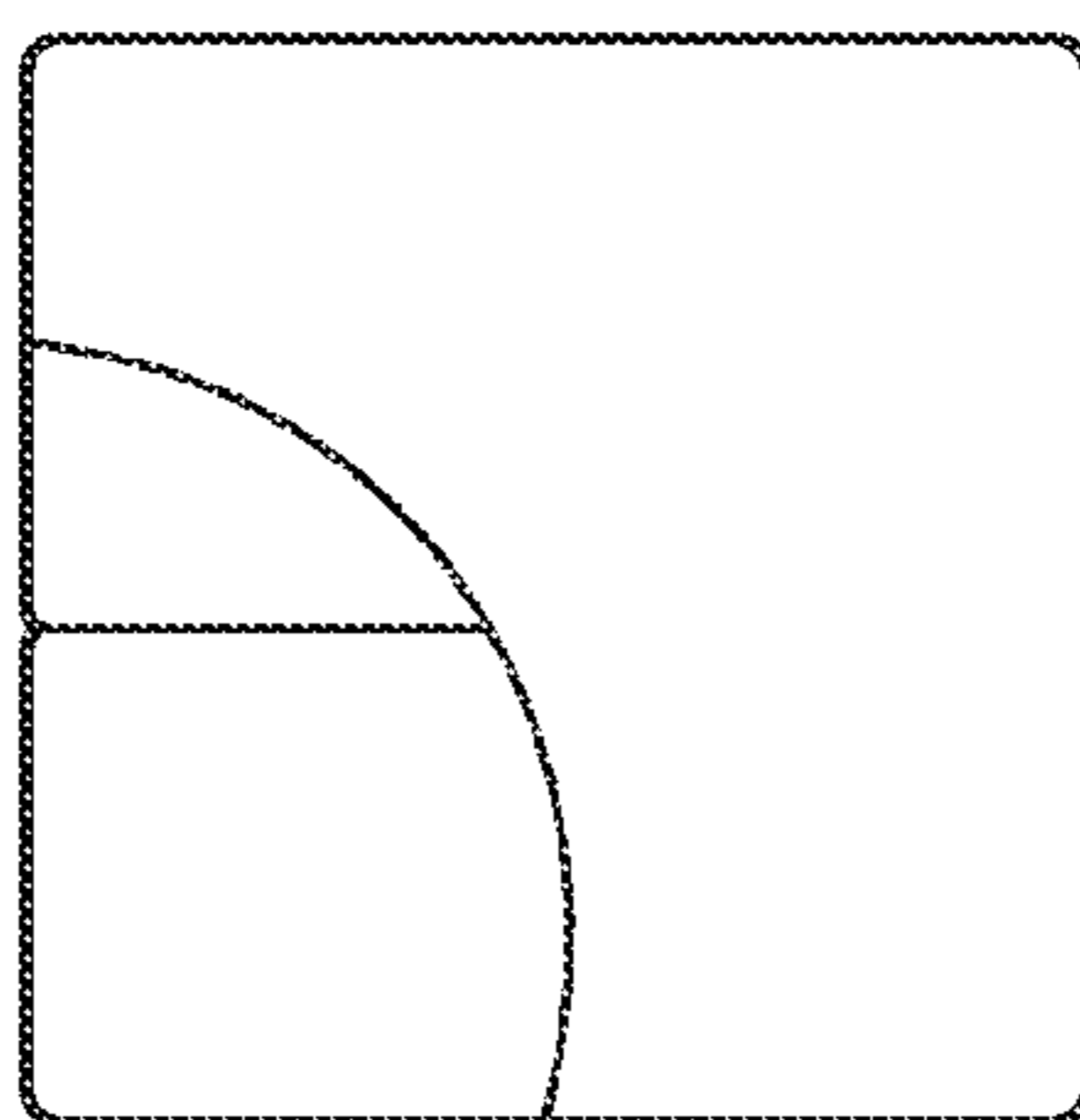


FIG. 12

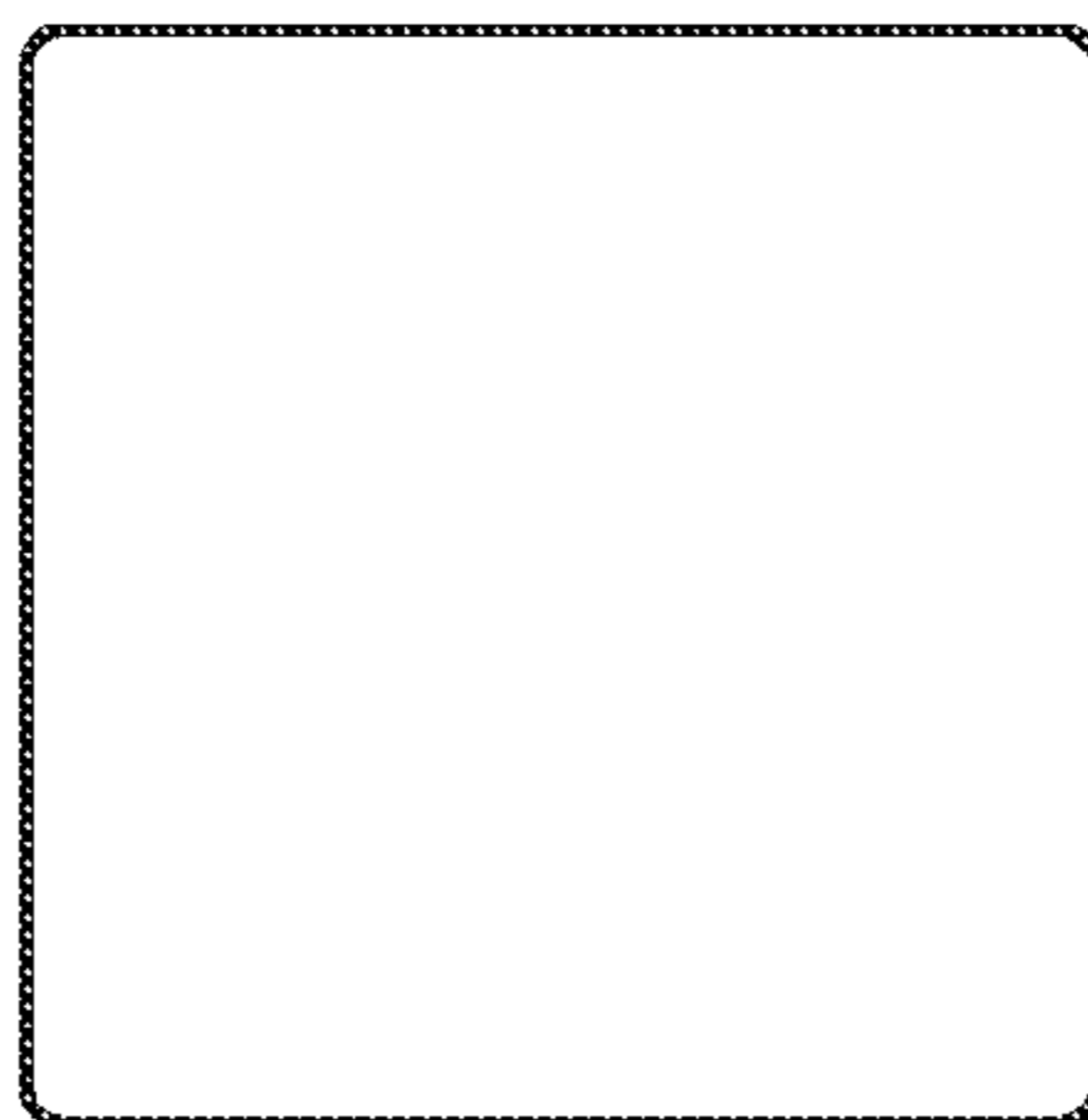


FIG. 13

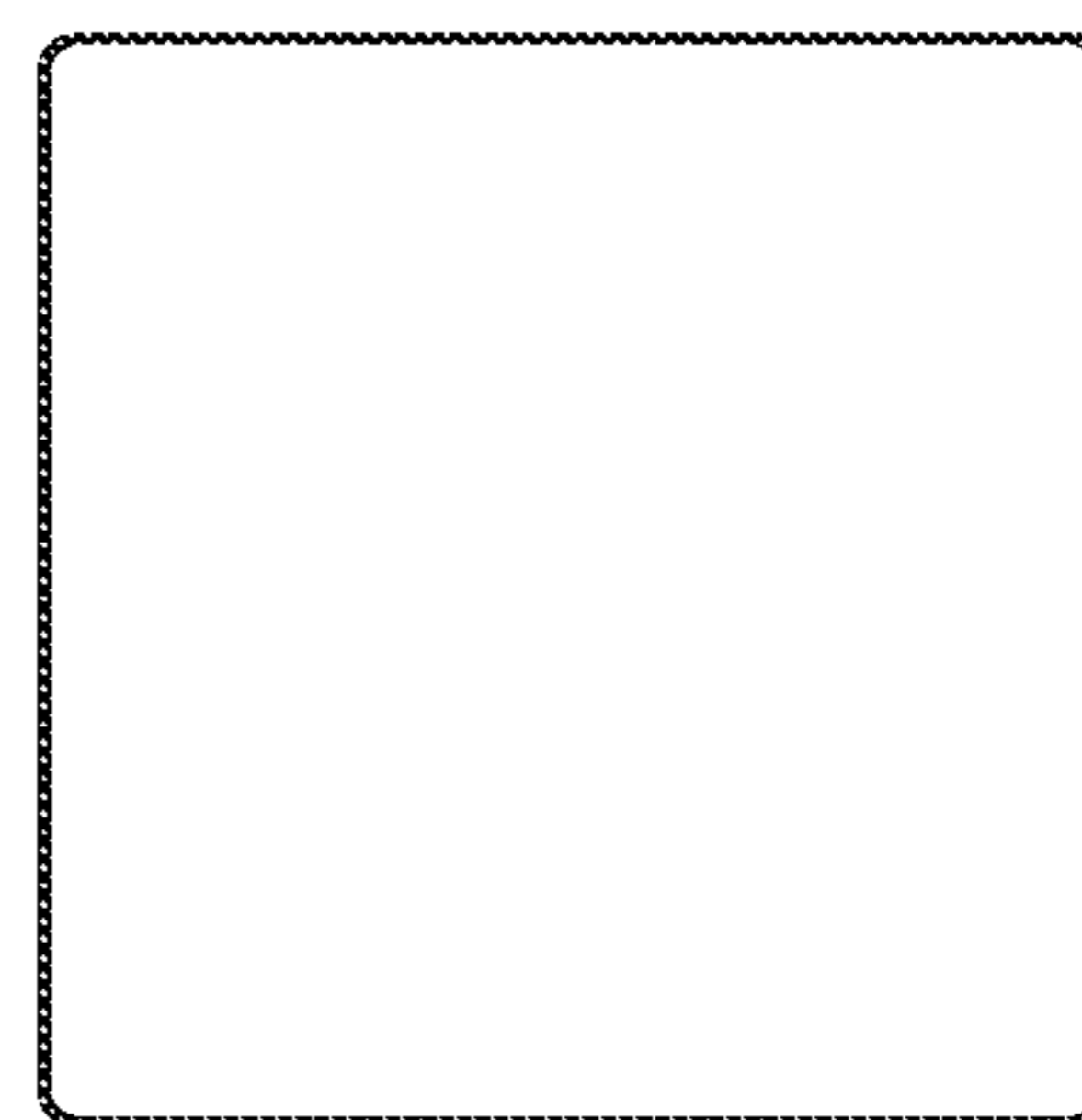


FIG. 14

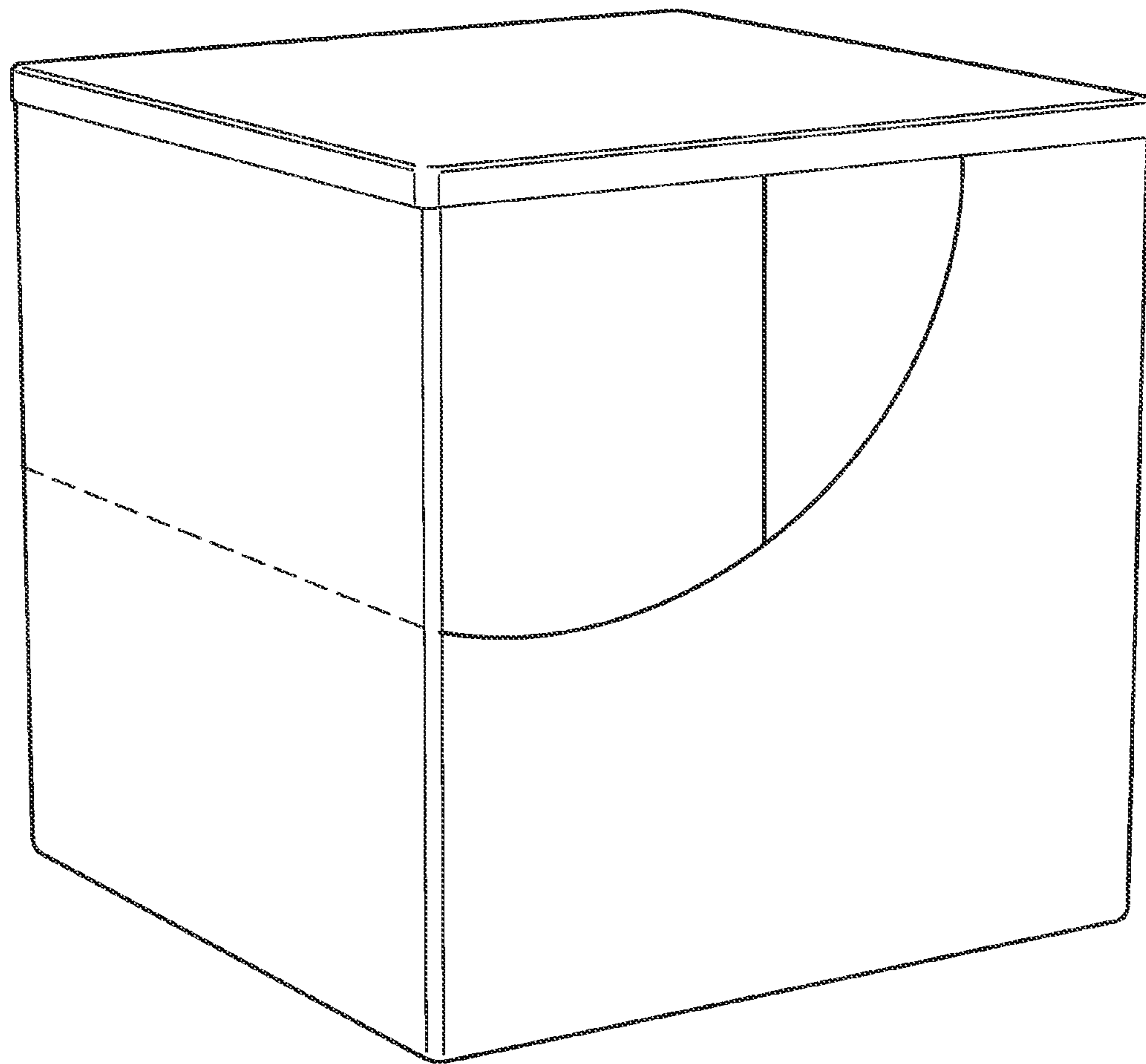


FIG. 15

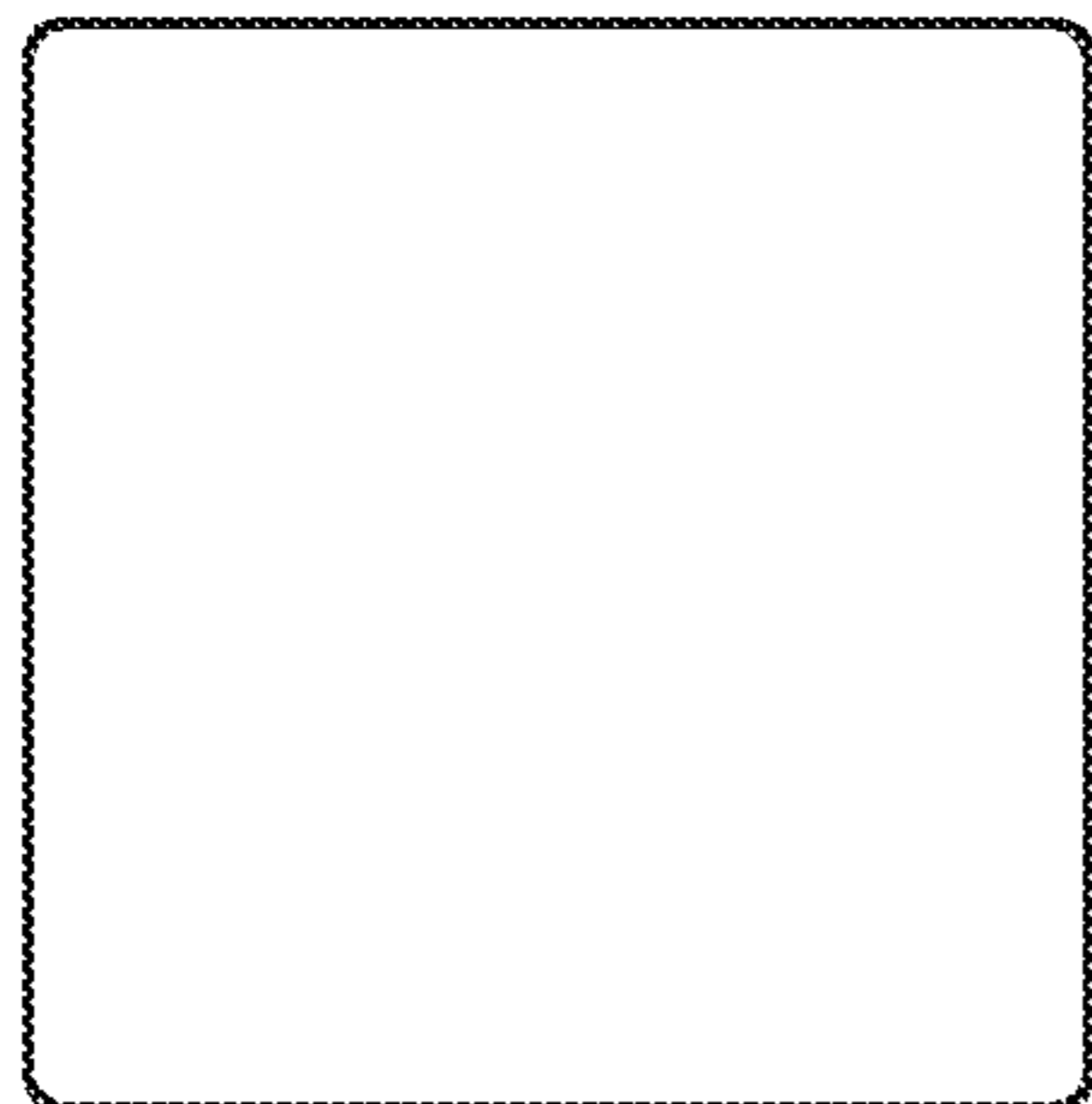


FIG. 16

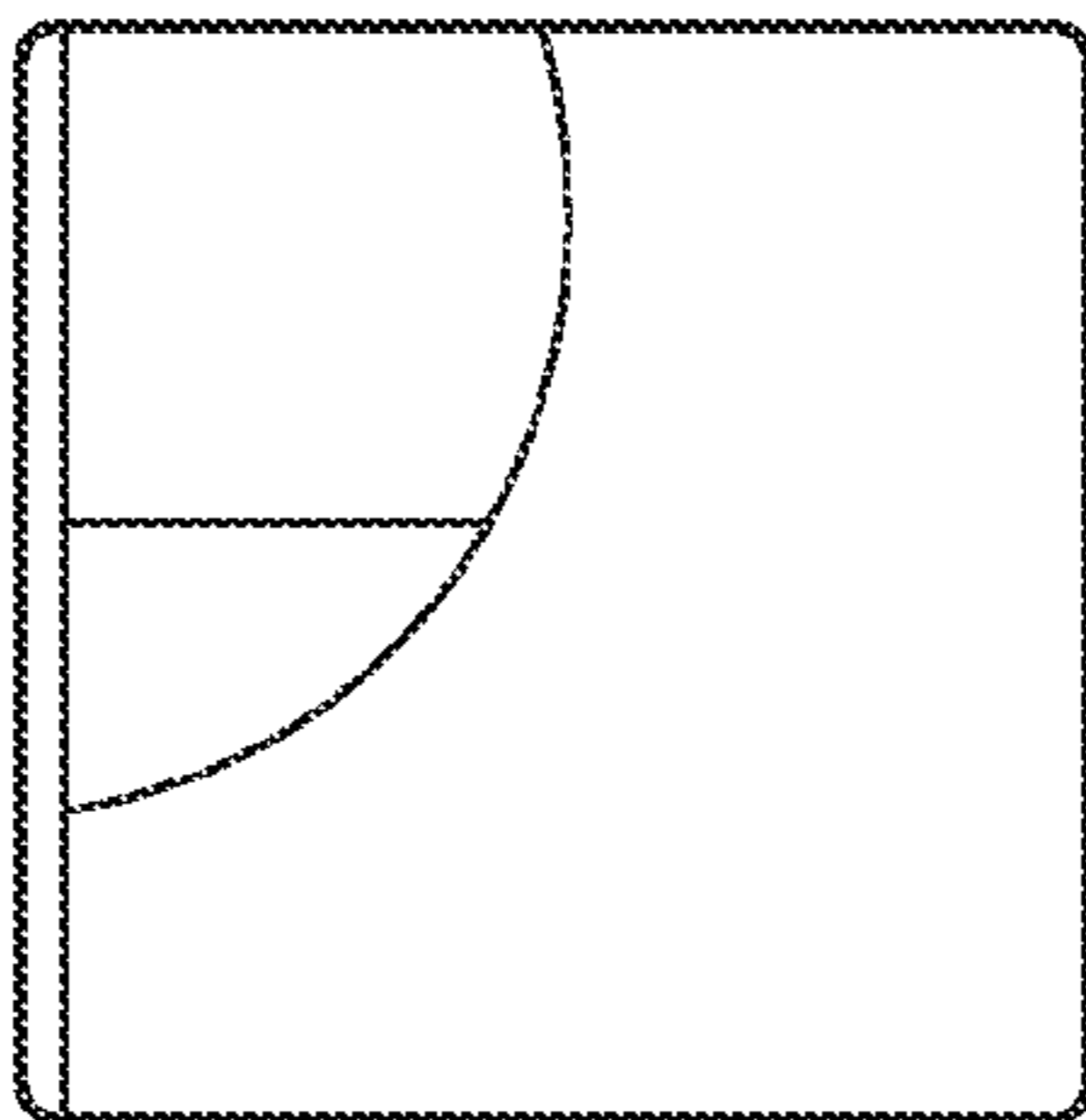


FIG. 17

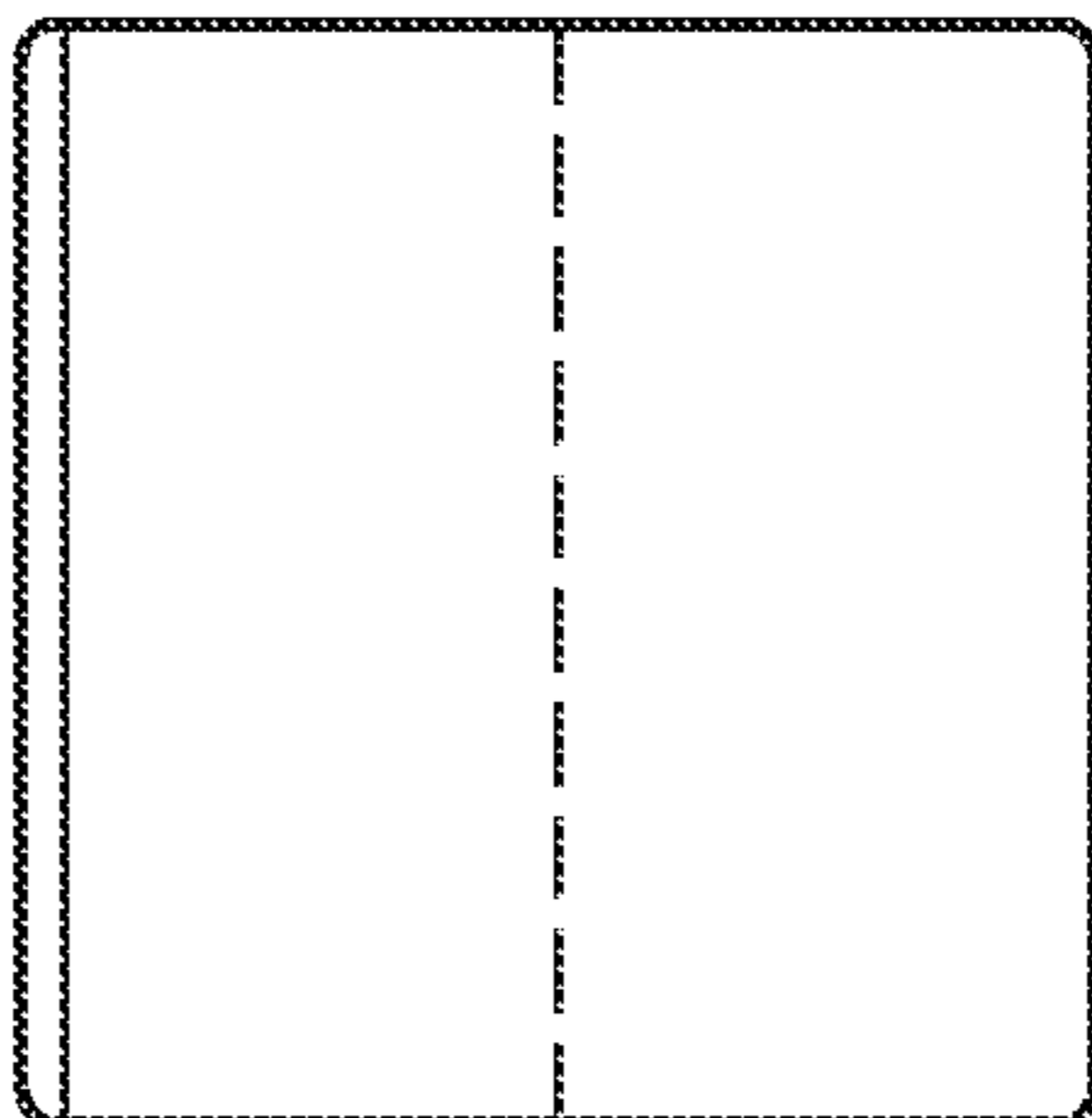


FIG. 18

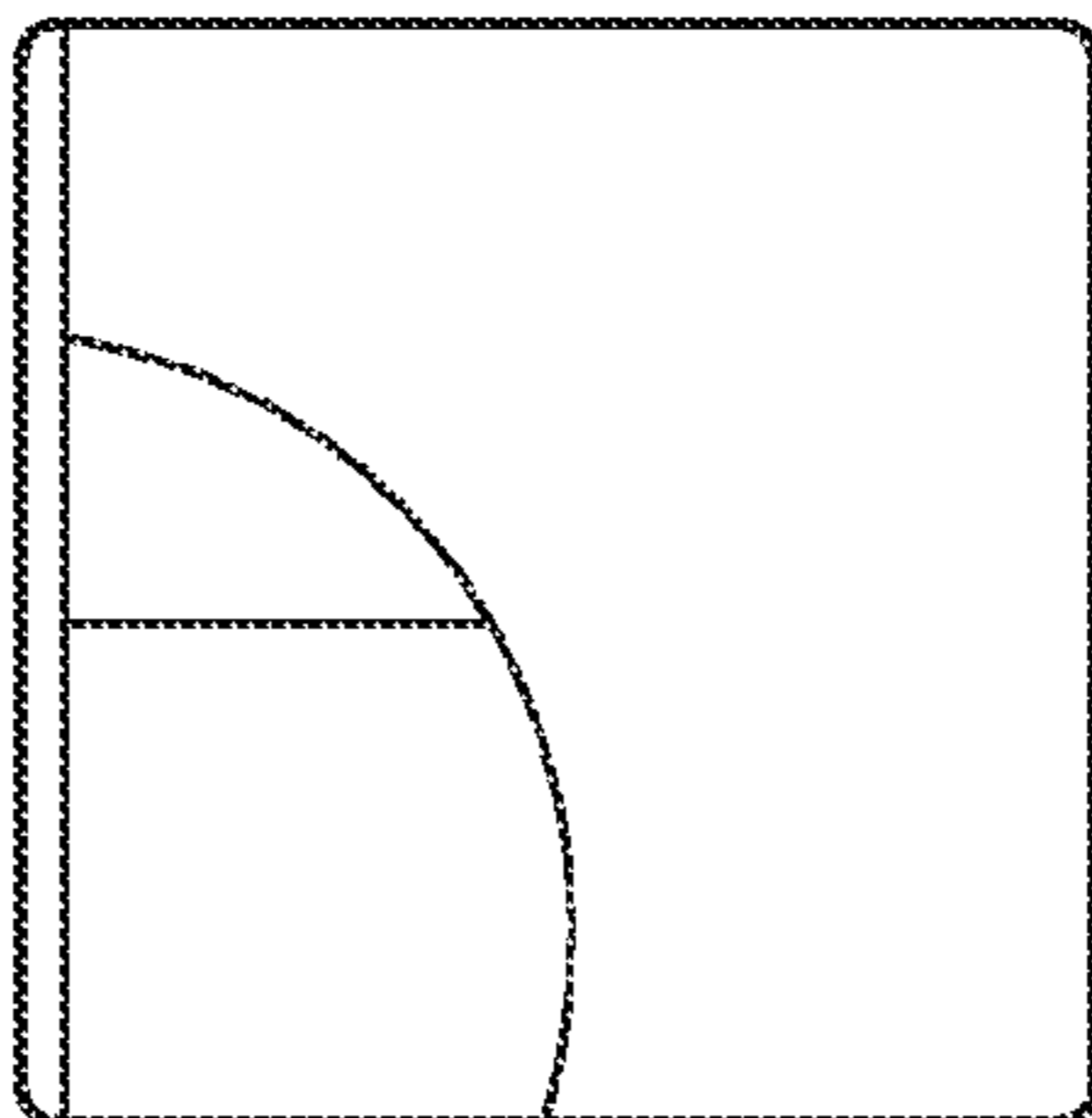


FIG. 19

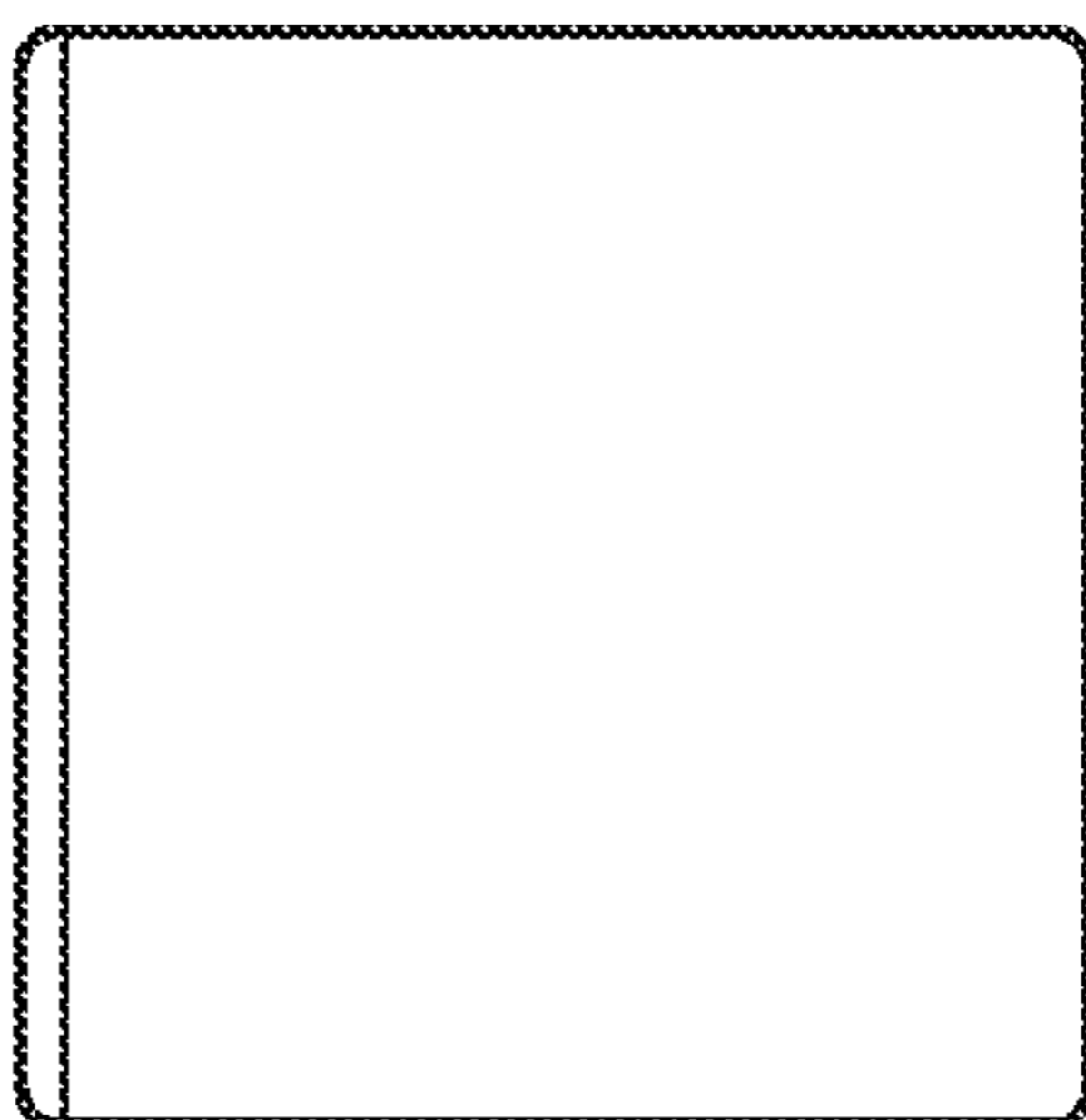


FIG. 20

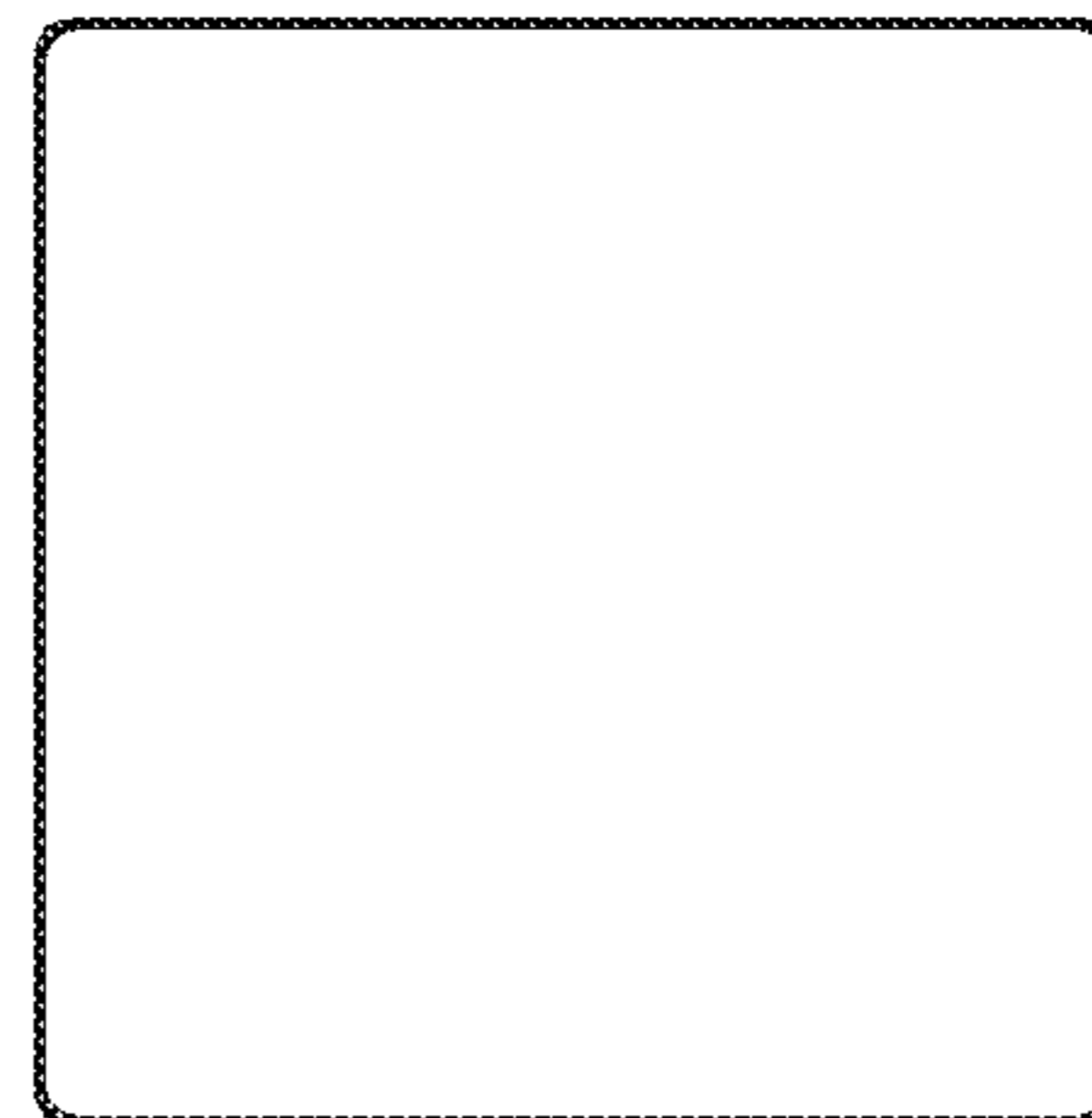


FIG. 21