

US00D632502S

(12) **United States Design Patent**
Gillespie

(10) **Patent No.:** **US D632,502 S**

(45) **Date of Patent:** **** Feb. 15, 2011**

(54) **COMBINATION BACKPACK AND CUSHION DEVICE**

(76) Inventor: **Kevin R. Gillespie**, CMR 442, Box 234
APO AE 09042

(**) Term: **14 Years**

(21) Appl. No.: **29/362,939**

(22) Filed: **Jun. 2, 2010**

Related U.S. Application Data

(63) Continuation-in-part of application No. 11/251,429,
filed on Oct. 14, 2005.

(51) **LOC (9) Cl.** **06-01**

(52) **U.S. Cl.** **D6/335**

(58) **Field of Classification Search** D6/334,
D6/335, 336, 361, 371, 381, 491, 500-502,
D6/611; 297/445.1, 446.1, 232, 248; 5/12.1,
5/12.2

See application file for complete search history.

(56) **References Cited**

U.S. PATENT DOCUMENTS

D258,482	S	*	3/1981	Strock	D6/596
4,597,605	A	*	7/1986	Gilbert	297/228.1
4,676,548	A	*	6/1987	Bradbury	297/129
D293,868	S	*	1/1988	Paletta et al.	D6/596
4,843,662	A	*	7/1989	Handelman	5/653
D308,454	S	*	6/1990	Merli	D6/596
D312,741	S	*	12/1990	Treadwell	D6/601
5,016,792	A	*	5/1991	Jay	224/155
D329,957	S	*	10/1992	Hartnett	D6/601
D335,396	S	*	5/1993	Keadle	D6/335
D357,609	S	*	4/1995	Webb et al.	D6/596
D366,800	S	*	2/1996	Moore, Jr.	D6/601
5,573,288	A	*	11/1996	Raffensperger	297/188.12
D377,574	S	*	1/1997	Mades	D6/601
D389,358	S	*	1/1998	Coleman	D6/601

5,816,463	A	*	10/1998	Echeverri	224/584
5,894,977	A	*	4/1999	Krueger et al.	224/627
D413,037	S	*	8/1999	Bellington	D6/596
5,988,465	A	*	11/1999	Vitale et al.	224/155
6,036,262	A	*	3/2000	Shahid	297/188.04
6,402,000	B1	*	6/2002	Stark	224/572
D474,934	S	*	5/2003	Ildstad et al.	D6/601
D481,547	S	*	11/2003	Ammann, Jr.	D6/335
D503,867	S	*	4/2005	Bennette et al.	D6/601
D571,115	S	*	6/2008	Cohen	D6/368
D591,065	S	*	4/2009	Pedemonte	D6/335
D591,962	S	*	5/2009	Medlock	D6/335
2006/0071513	A1	*	4/2006	Pedemonte	297/16.1

* cited by examiner

Primary Examiner—Sandra Snapp

(74) *Attorney, Agent, or Firm*—Dale J. Ream

(57) **CLAIM**

The ornamental design for a combination backpack and cushion device, as shown and described.

DESCRIPTION

FIG. 1 is a perspective view of a combination backpack and cushion device showing my new design in use with a chair;

FIG. 2 is a perspective view thereof with the chair removed;

FIG. 3 is a right side view thereof;

FIG. 4 is a left side view thereof;

FIG. 5 is a top view thereof;

FIG. 6 is a bottom view thereof;

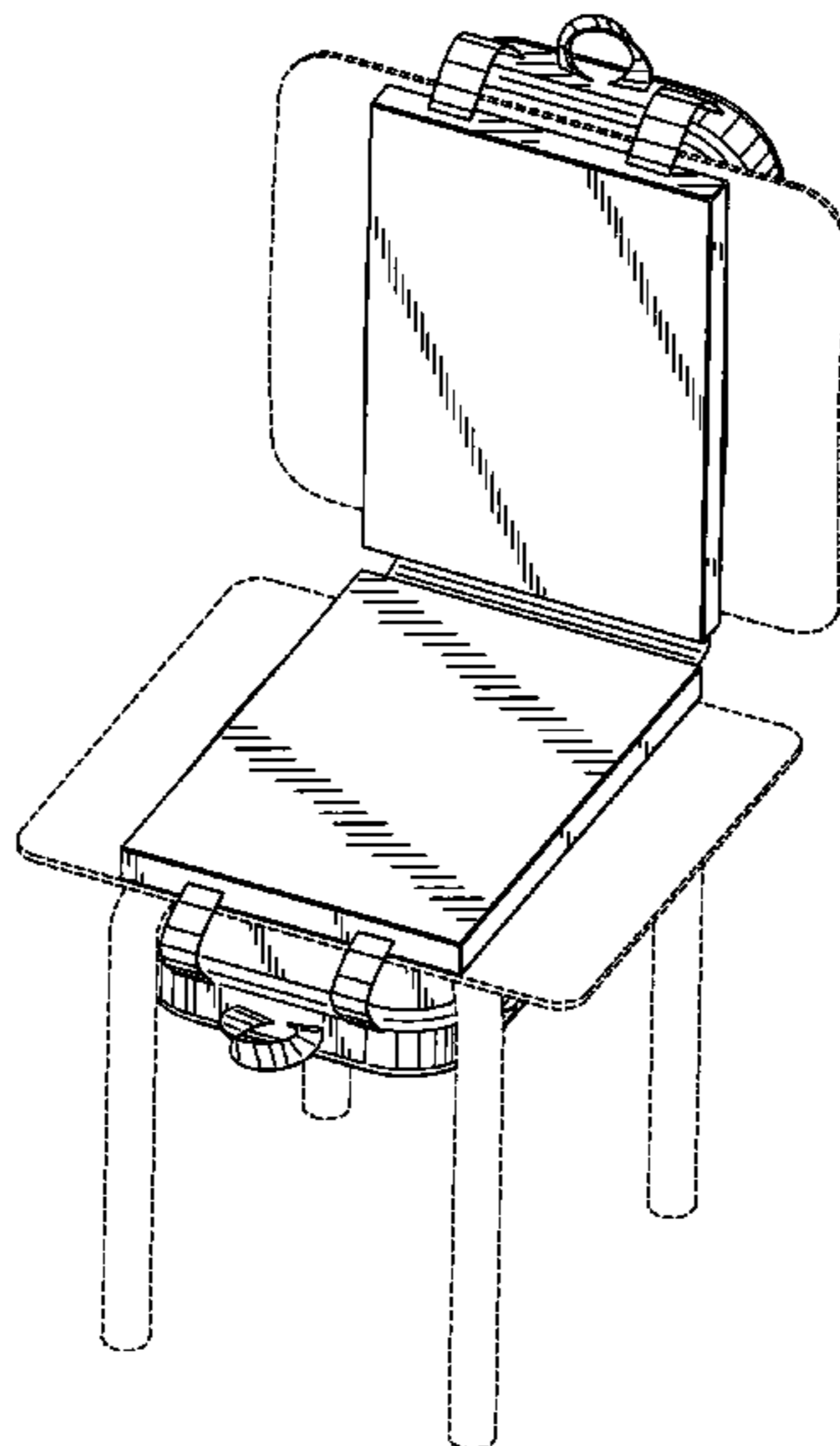
FIG. 7 is a front end view thereof;

FIG. 8 is a back end view thereof; and,

FIG. 9 is a perspective view of my new design in a folded configuration.

In the drawings, the broken lines showing a chair illustrate environment and form no part of the claimed design.

1 Claim, 6 Drawing Sheets



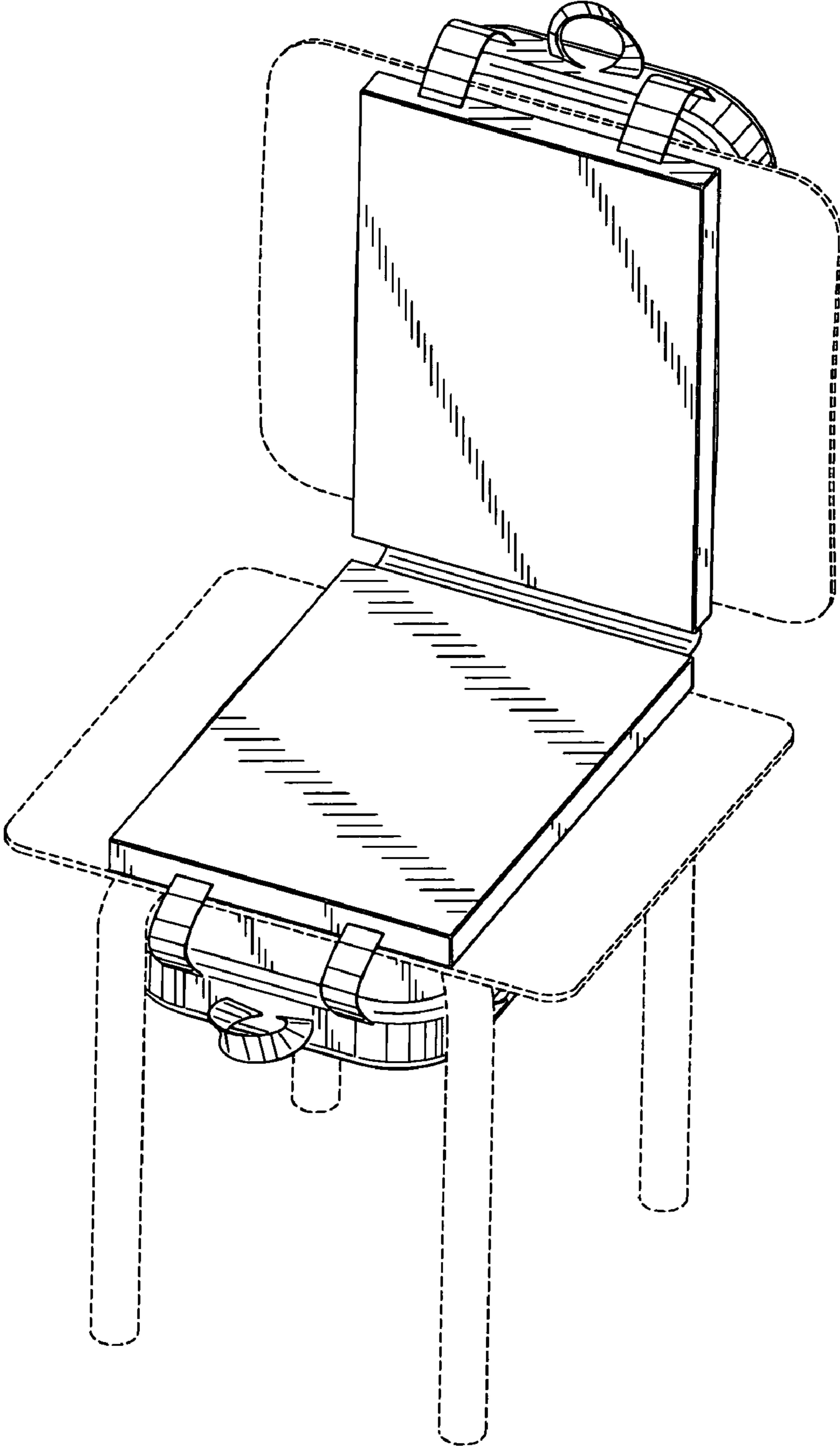


FIG. 1

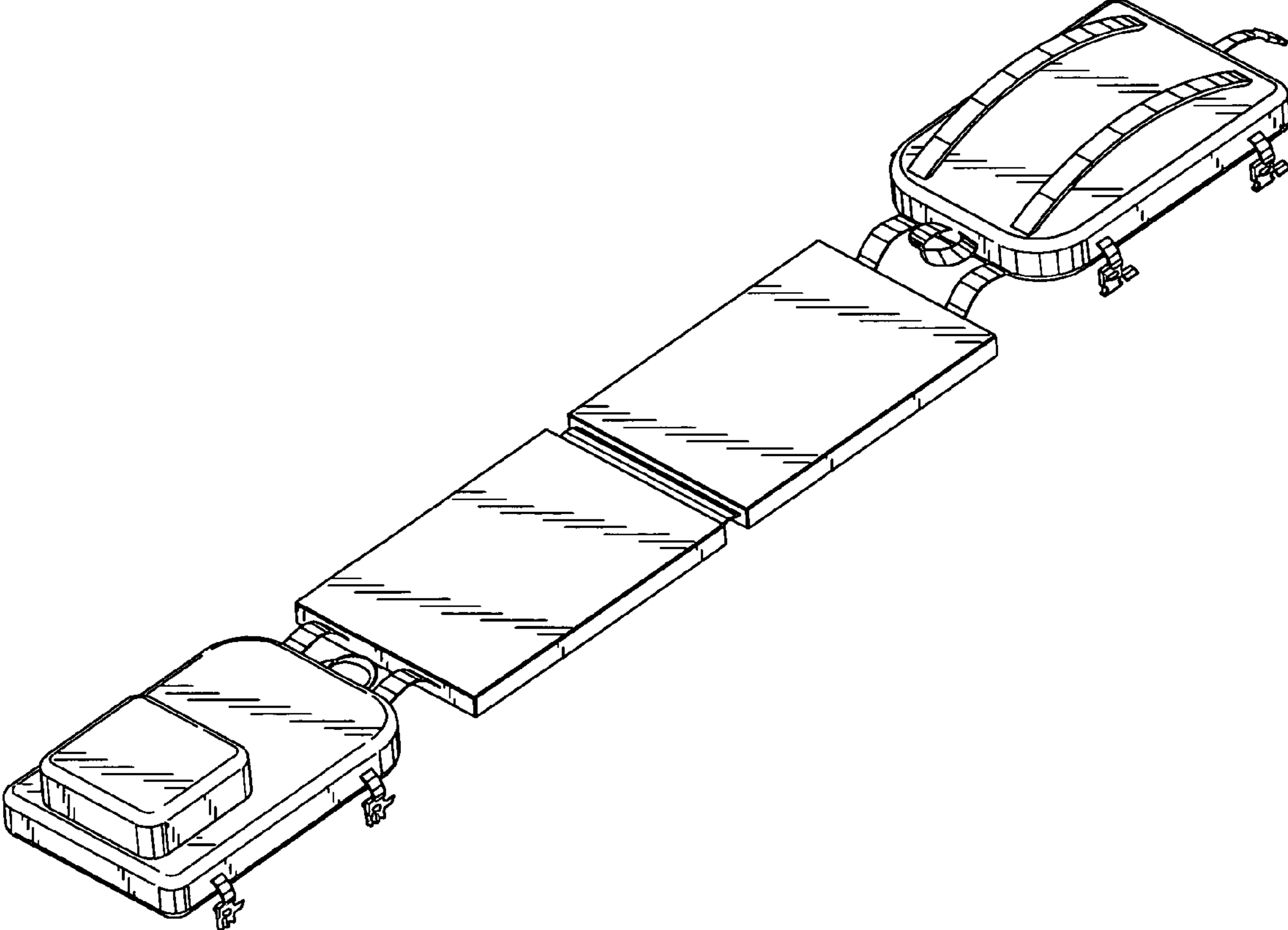


FIG. 2

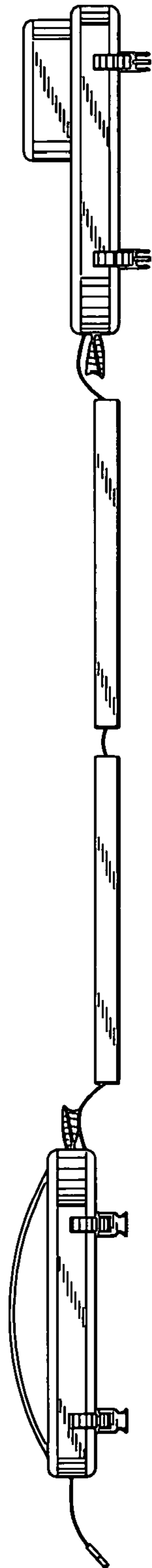


FIG. 3

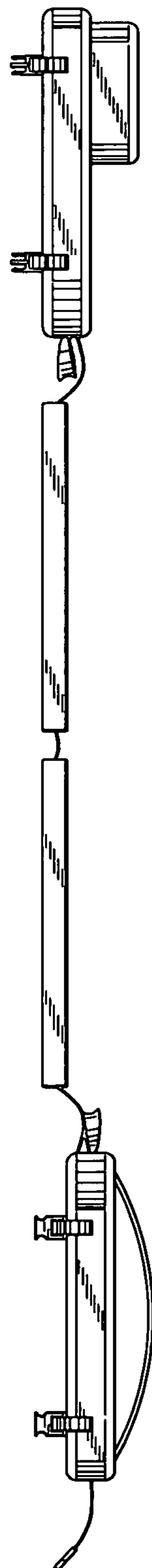


FIG. 4

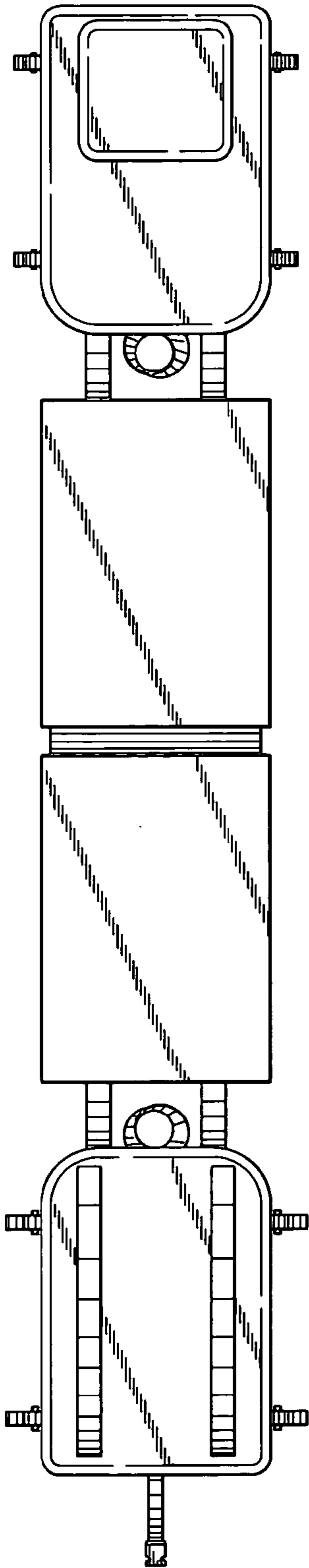


FIG. 5

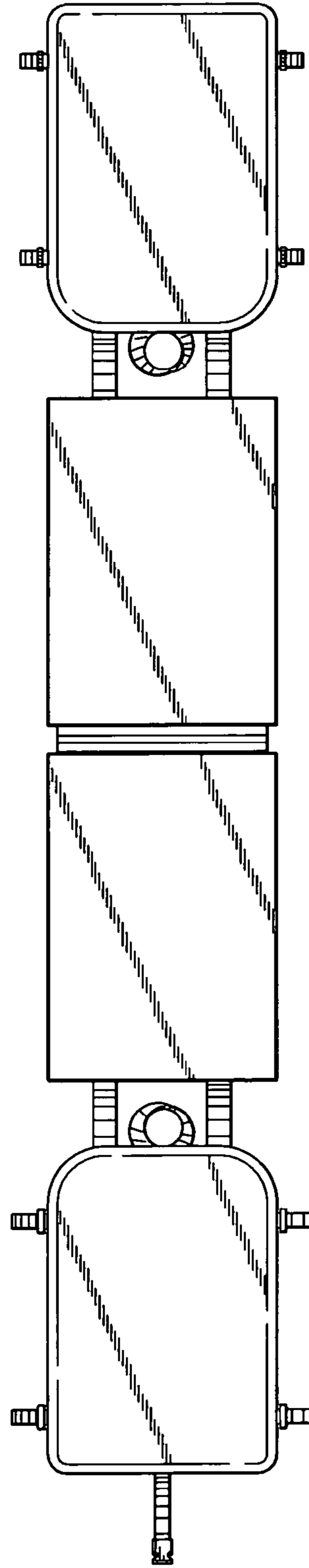


FIG. 6

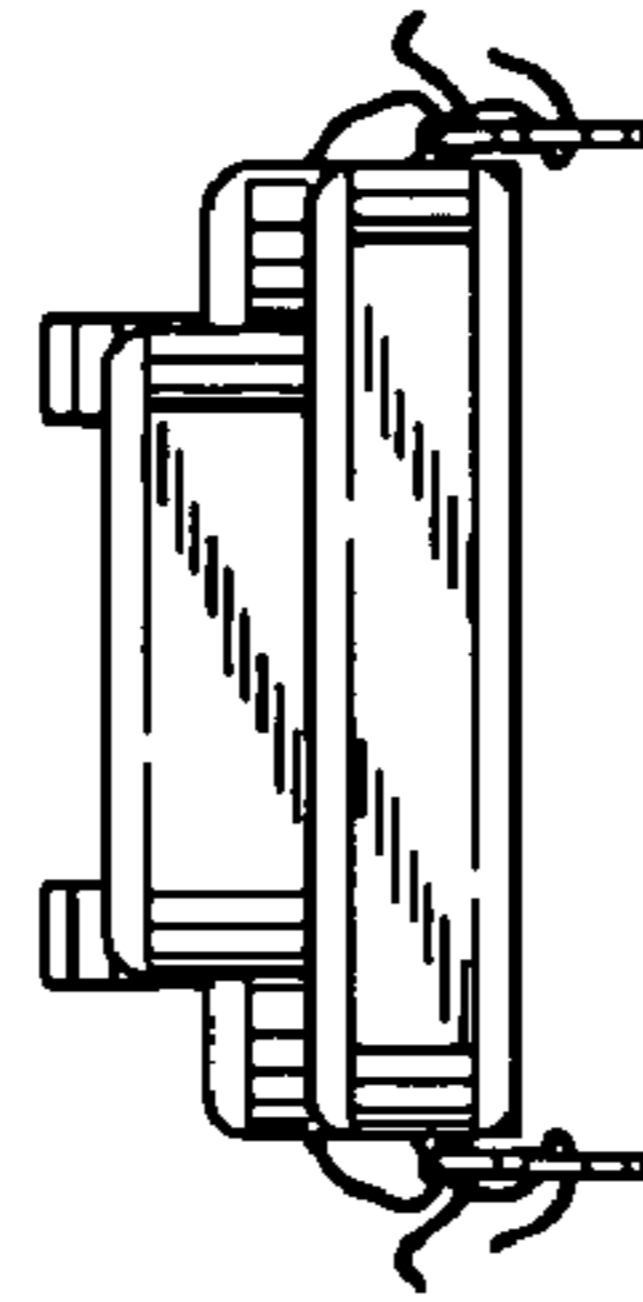


FIG. 7

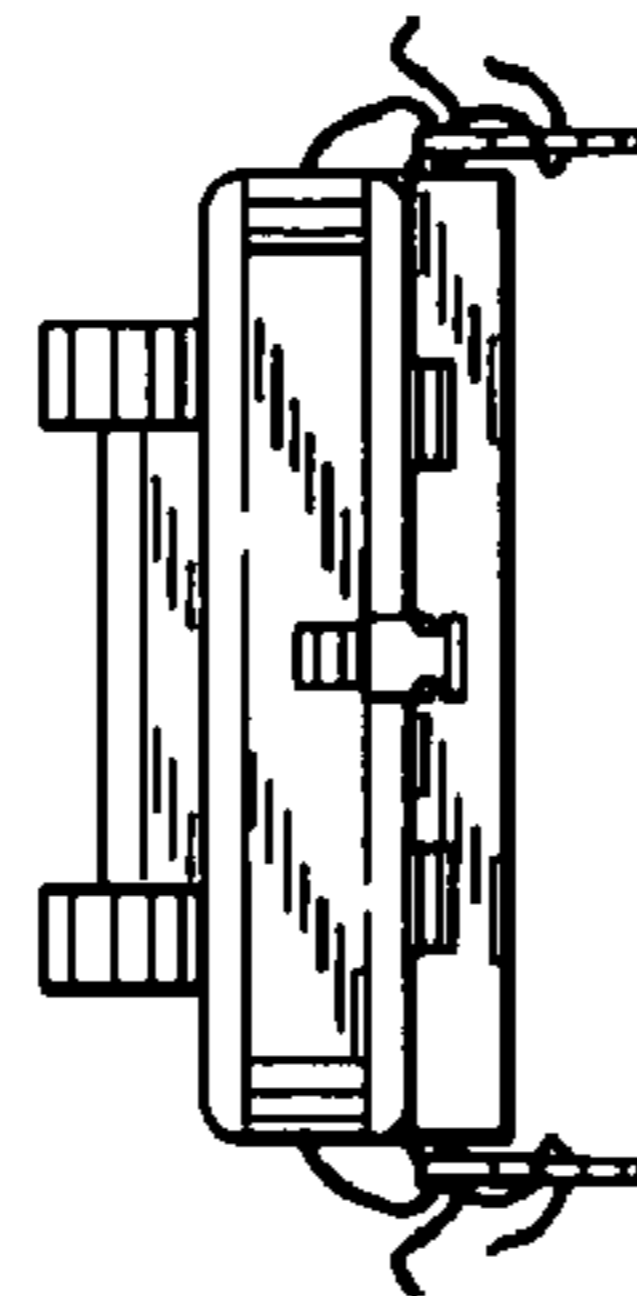


FIG. 8

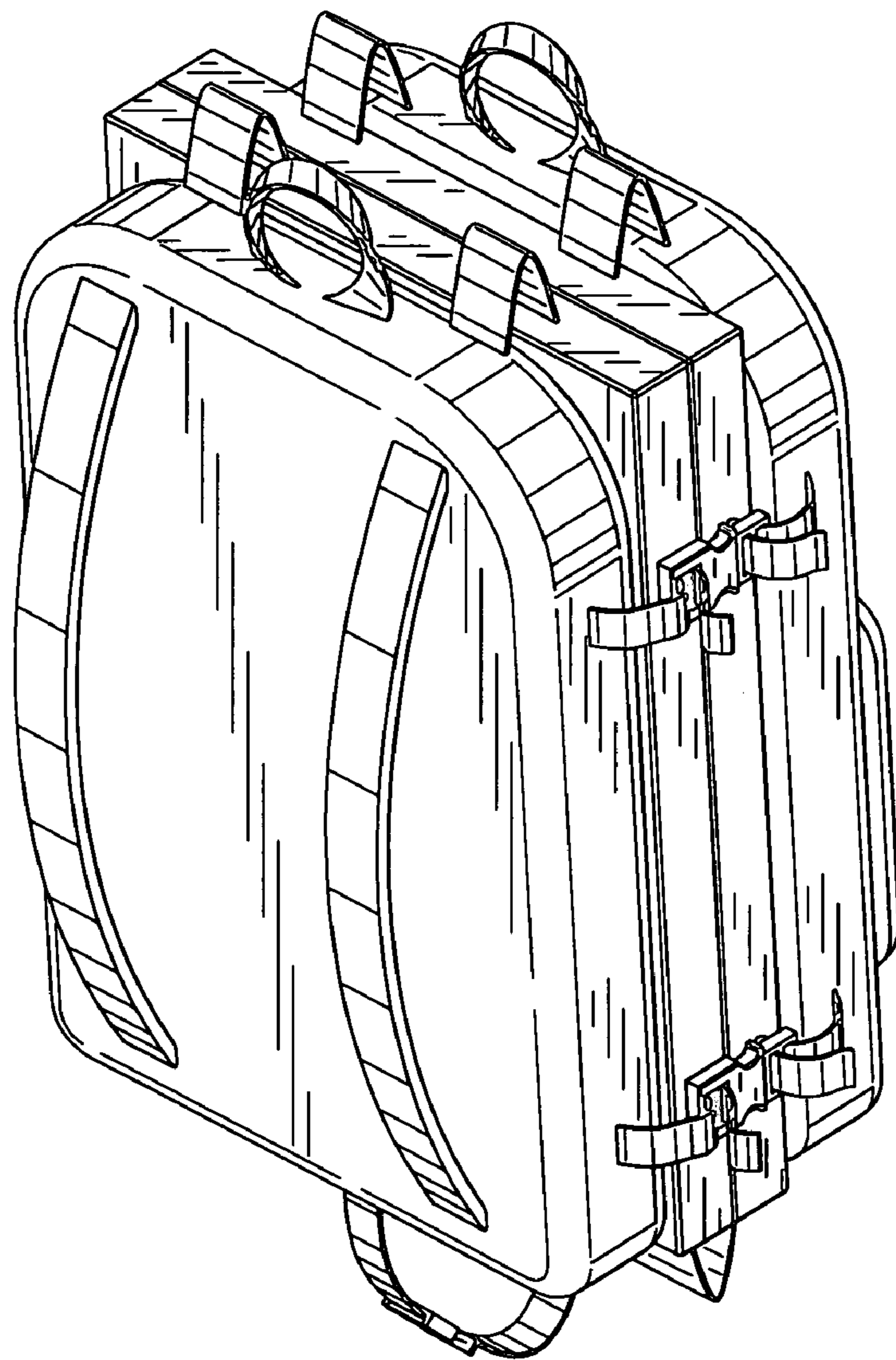


FIG. 9