



US00D632491S

(12) **United States Design Patent**  
**Lowe et al.**

(10) **Patent No.:** **US D632,491 S**  
(45) **Date of Patent:** **\*\* Feb. 15, 2011**

(54) **TOILET BOWL CLEANER WITH ROTATABLE SCRUBBER**

5,504,959 A 4/1996 Yukawa et al.

(75) Inventors: **David J. Lowe**, Parker, CO (US); **David O. Meyers**, Kaysville, UT (US)

(Continued)

**FOREIGN PATENT DOCUMENTS**

(73) Assignee: **SonicScrubbers, Inc.**, Layton, UT (US)

DE 32 34 704 3/1984

(\*\*) Term: **14 Years**

(Continued)

(21) Appl. No.: **29/350,487**

**OTHER PUBLICATIONS**

(22) Filed: **Nov. 17, 2009**

Clorox, *Toilet Wand*, published at least as early as Oct. 1, 2009.

(51) **LOC (9) Cl.** ..... **04-02**

(Continued)

(52) **U.S. Cl.** ..... **D4/138**

(58) **Field of Classification Search** ..... D4/100,  
D4/102, 114, 115, 122, 127, 138; 15/22.1,  
15/28, 29, 49.1, 50.1, 98, 144.1–144.4, 179,  
15/180

*Primary Examiner*—Cathron C Brooks

*Assistant Examiner*—Barbara Fox

(74) *Attorney, Agent, or Firm*—Workman Nydegger

See application file for complete search history.

(57) **CLAIM**

The ornamental design for a toilet bowl cleaner with rotatable scrubber, as shown and described.

(56) **References Cited**

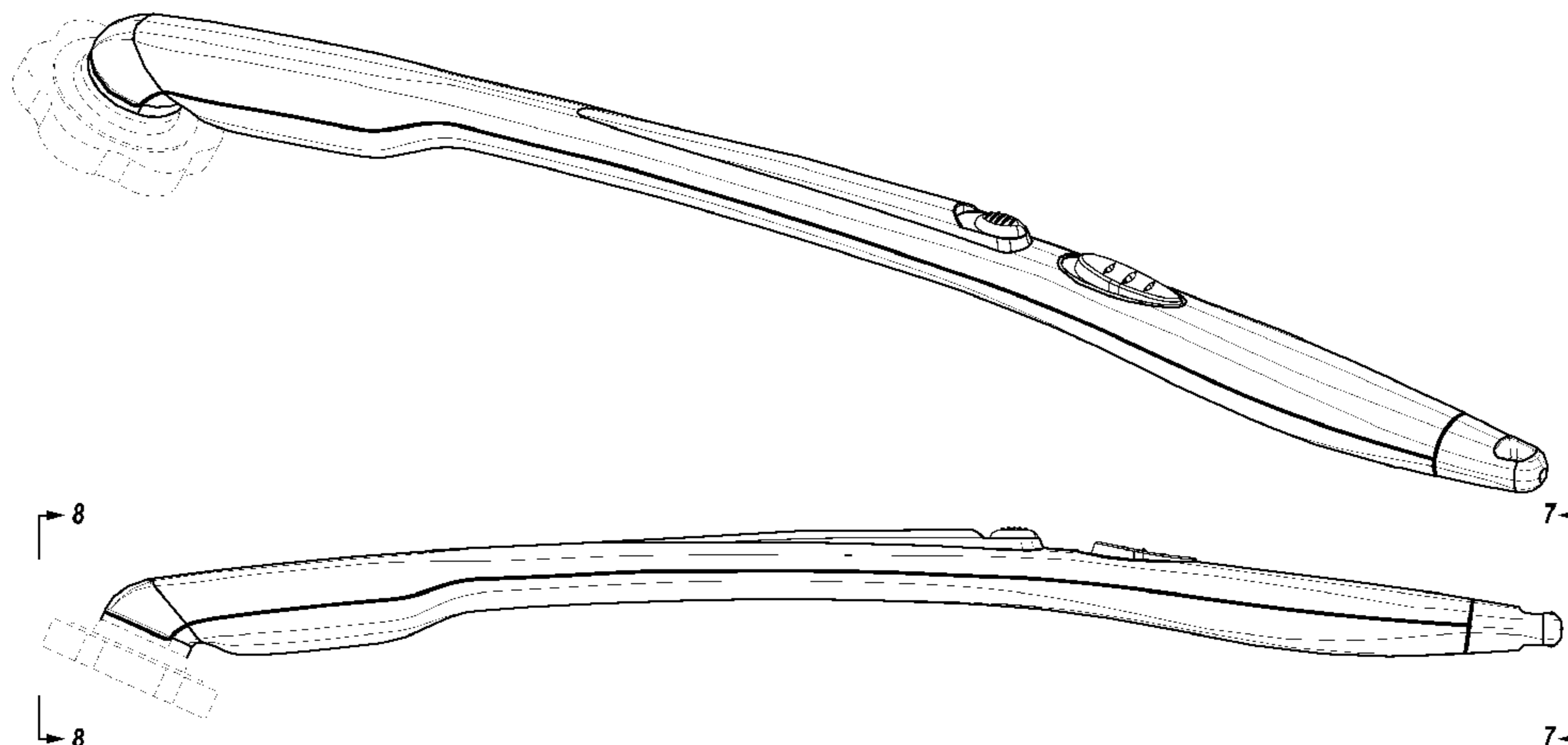
**U.S. PATENT DOCUMENTS**

2,778,043 A	1/1957	Arf
2,911,660 A	11/1959	Klemas et al.
3,183,538 A	5/1965	Hubner
3,274,631 A	9/1966	Spohr
3,667,454 A	6/1972	Prince
3,675,645 A	7/1972	Samiran et al.
3,699,952 A	10/1972	Waters et al.
3,864,779 A	2/1975	Thomas
3,939,599 A	2/1976	Henry et al.
4,079,517 A	3/1978	Zacharia
4,127,911 A	12/1978	Cupp et al.
4,137,588 A	2/1979	Sandt et al.
4,173,828 A	11/1979	Lustig et al.
4,654,921 A	4/1987	Dinner
4,827,552 A	5/1989	Bojar et al.
5,145,369 A	9/1992	Lustig et al.
5,160,194 A	11/1992	Feldman
5,341,534 A	8/1994	Serbinski et al.
5,435,032 A	7/1995	McDougall
5,465,444 A	11/1995	Bigler et al.
5,467,495 A	11/1995	Boland et al.

**DESCRIPTION**

FIG. 1 is a top perspective view of a toilet bowl cleaner with rotatable scrubber showing our new design;  
FIG. 2 is a bottom perspective view thereof;  
FIG. 3 is a left side elevational view thereof;  
FIG. 4 is a top plan view thereof;  
FIG. 5 is a right side elevational view thereof;  
FIG. 6 is a bottom plan view thereof;  
FIG. 7 is a rear elevational view thereof, taken along line 7—7 on FIG. 3, shown enlarged for ease of illustration; and,  
FIG. 8 is a front elevational view thereof, taken along line 8—8 on FIG. 3, shown enlarged for ease of illustration.  
The broken lines in the drawings illustrate unclaimed portions of the toilet bowl cleaner with rotatable scrubber and form no part of the claimed design.

**1 Claim, 4 Drawing Sheets**



# US D632,491 S

## U.S. PATENT DOCUMENTS

5,577,285	A	11/1996	Drossler	
5,590,434	A	1/1997	Imai	
5,617,601	A	4/1997	McDougall	
5,617,603	A	4/1997	Mei	
5,625,916	A	5/1997	McDougall	
5,652,990	A	8/1997	Driesen et al.	
5,930,860	A	8/1999	Shipp	
5,950,268	A	9/1999	Murphy et al.	
5,956,792	A	9/1999	Gutelius et al.	
5,974,615	A	11/1999	Schwarz-Hartmann et al.	
6,021,538	A	2/2000	Kressner et al.	
6,058,542	A	5/2000	Lo	
6,092,252	A	7/2000	Fischer et al.	
6,178,579	B1	1/2001	Blaustein et al.	
6,199,242	B1	3/2001	Masterman et al.	
6,230,717	B1	5/2001	Marx et al.	
6,253,405	B1	7/2001	Gutelius et al.	
6,295,681	B1	10/2001	Dolah	
D452,079	S	12/2001	Ping	
6,347,425	B1	2/2002	Fattori et al.	
6,363,565	B1	4/2002	Paffrath	
6,421,865	B1	7/2002	McDougall	
6,421,866	B1	7/2002	McDougall	
6,442,785	B1	9/2002	Robinson	
6,581,233	B1	6/2003	Cheng	
6,694,559	B1 *	2/2004	Sloan et al.	15/106
D491,728	S	6/2004	Jimenez	
6,745,427	B1	6/2004	Trenz et al.	
6,792,640	B2	9/2004	Lev	
D502,002	S *	2/2005	Conway et al.	D4/138
D513,881	S	1/2006	Meyers et al.	
6,993,803	B2	2/2006	Chan	
7,065,825	B2	6/2006	Minkler et al.	
7,159,265	B2	1/2007	Soller et al.	
7,178,189	B1	2/2007	Perry et al.	
7,258,229	B2	8/2007	Chan	
7,287,295	B2	10/2007	Treacy et al.	
7,316,046	B2	1/2008	Michaels et al.	
D580,178	S *	11/2008	Bingaman	D4/134
7,469,703	B2	12/2008	France et al.	

7,614,107	B2	11/2009	Cobabe et al.	
D609,871	S *	2/2010	Zach et al.	D32/52
2001/0042280	A1	11/2001	Moskovich et al.	
2002/0004964	A1	1/2002	Luchino et al.	
2002/0039720	A1	4/2002	Marx et al.	
2002/0066147	A1	6/2002	Schutz	
2002/0162180	A1	11/2002	Blaustein et al.	
2003/0131427	A1	7/2003	Hilscher et al.	
2003/0140437	A1	7/2003	Eliav et al.	
2003/0154567	A1	8/2003	Drossler et al.	
2003/0163881	A1	9/2003	Driesen et al.	
2003/0221269	A1	12/2003	Zhuan	
2004/0083567	A1	5/2004	Lies	
2004/0088808	A1 *	5/2004	Vitantonio et al.	15/104.94
2004/0200016	A1	10/2004	Chan et al.	
2004/0244130	A1	12/2004	Kim	
2005/0011023	A1	1/2005	Chan	
2005/0053895	A1	3/2005	Pinyayev et al.	
2005/0055784	A1	3/2005	Wong	
2005/0066465	A1 *	3/2005	Minkler et al.	15/210.1
2005/0066996	A1	3/2005	France et al.	
2005/0097694	A1 *	5/2005	Michaels et al.	15/210.1
2008/0022472	A1	1/2008	Minkler et al.	
2008/0104787	A1 *	5/2008	Keenan et al.	15/210.1
2008/0115302	A1 *	5/2008	Kilkenny et al.	15/104.94
2008/0250590	A1 *	10/2008	Trefethren et al.	15/145

## FOREIGN PATENT DOCUMENTS

DE	43 15 320	A1	11/1994
EM	66782-0001		8/2003
EM	98991-0003		11/2003
JP	2006-271645		10/2006

## OTHER PUBLICATIONS

Scotch-Brite, *Disposable Toilet Scrubbers*, published at least as early as Oct. 1, 2009.

Scrubbing Bubbles, *Fresh Brush*, published at least as early as Oct. 1, 2009.

SonicScrubbers, LLC, *SonicScrubbies*, published at least as early as Jun. 1, 2008.

\* cited by examiner

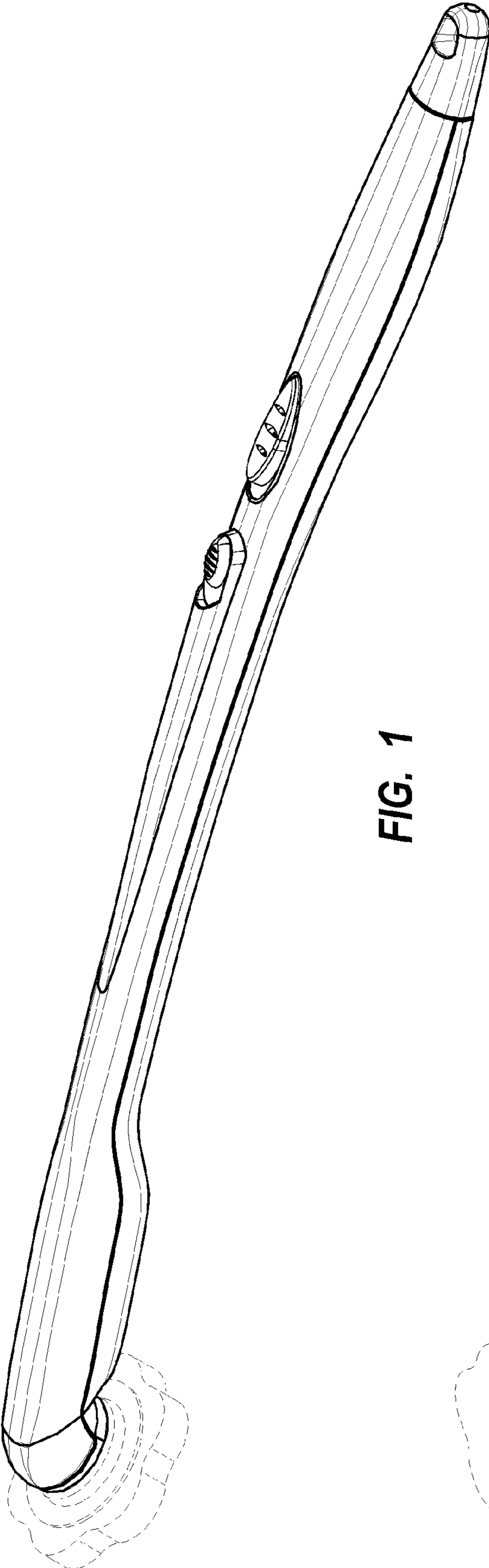


FIG. 1

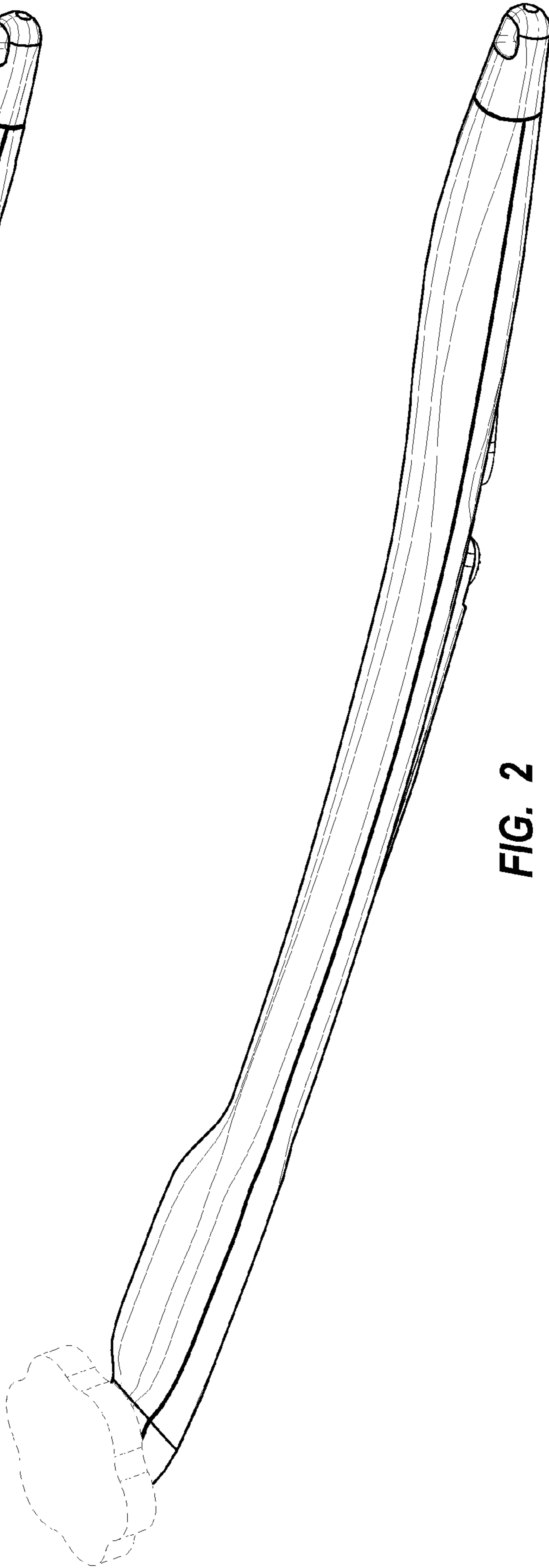


FIG. 2

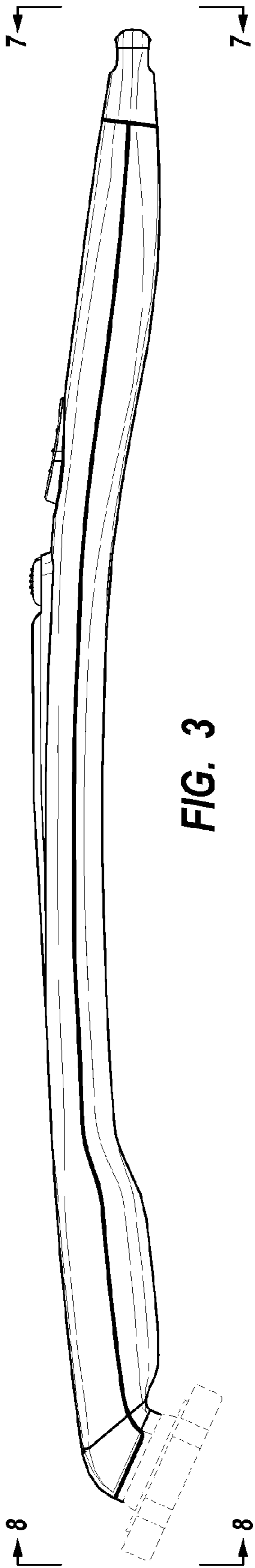


FIG. 3

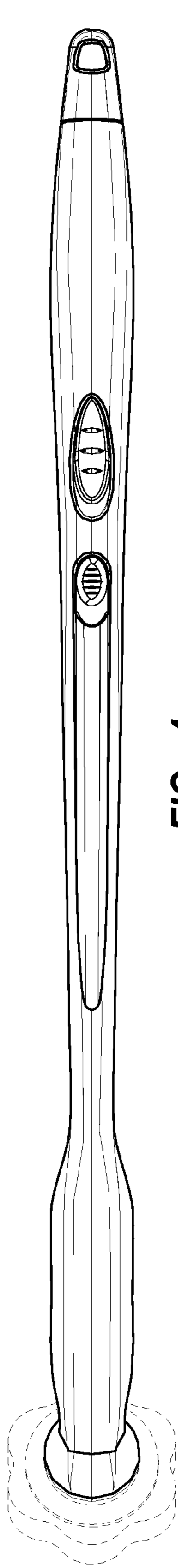


FIG. 4

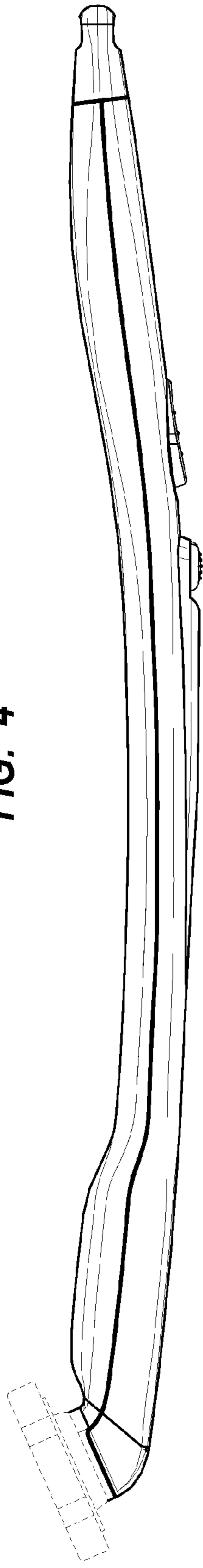


FIG. 5

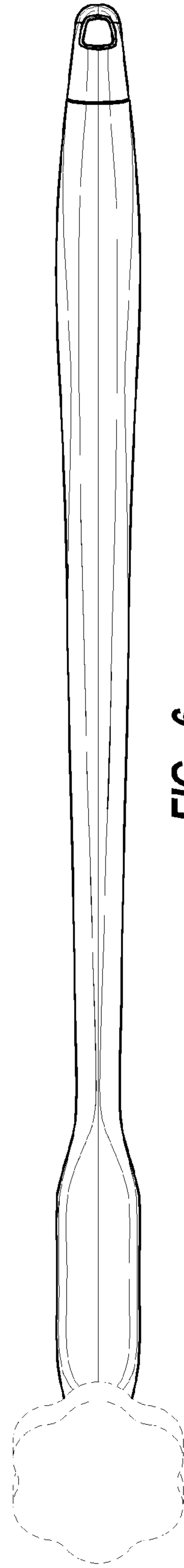
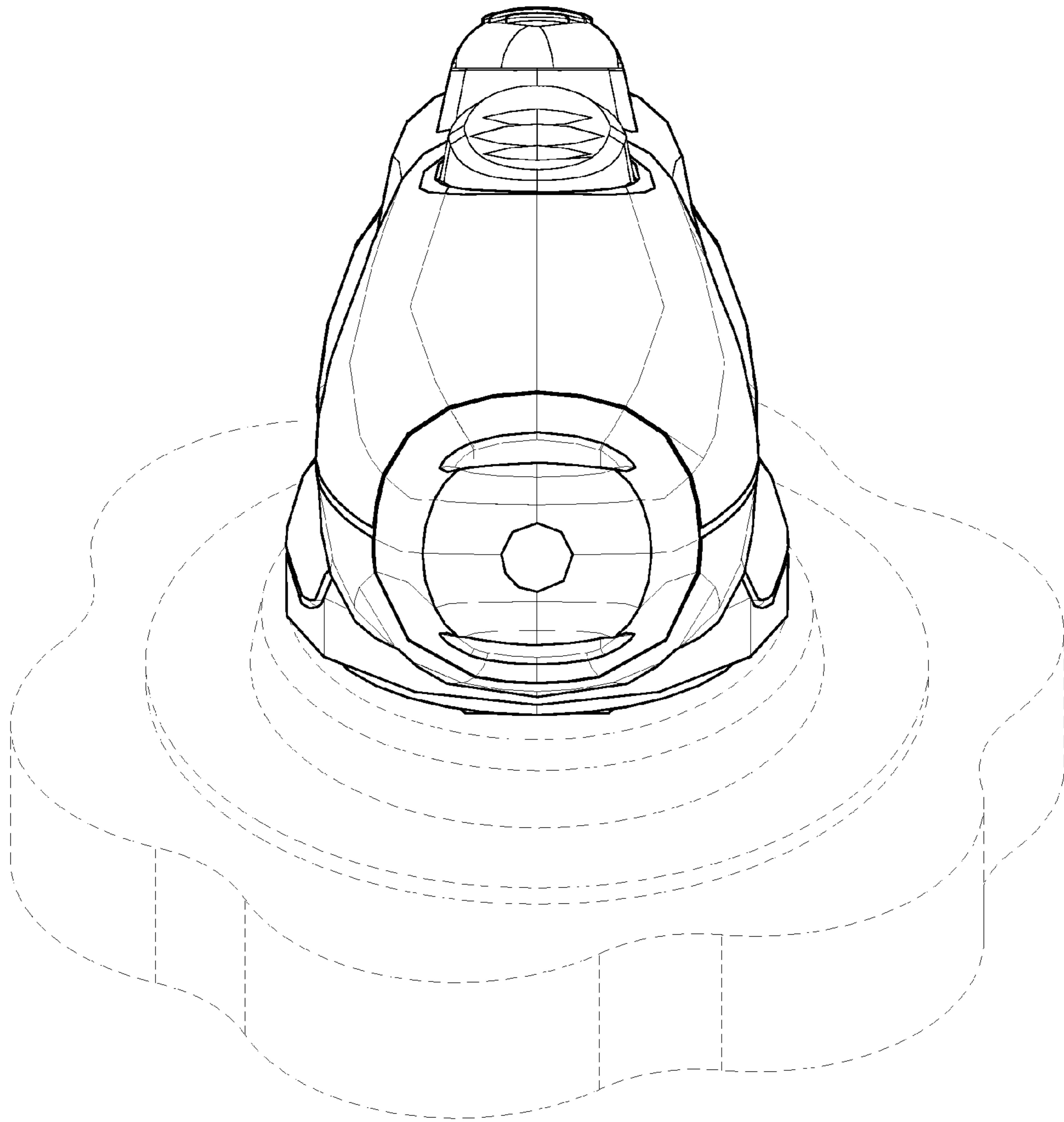
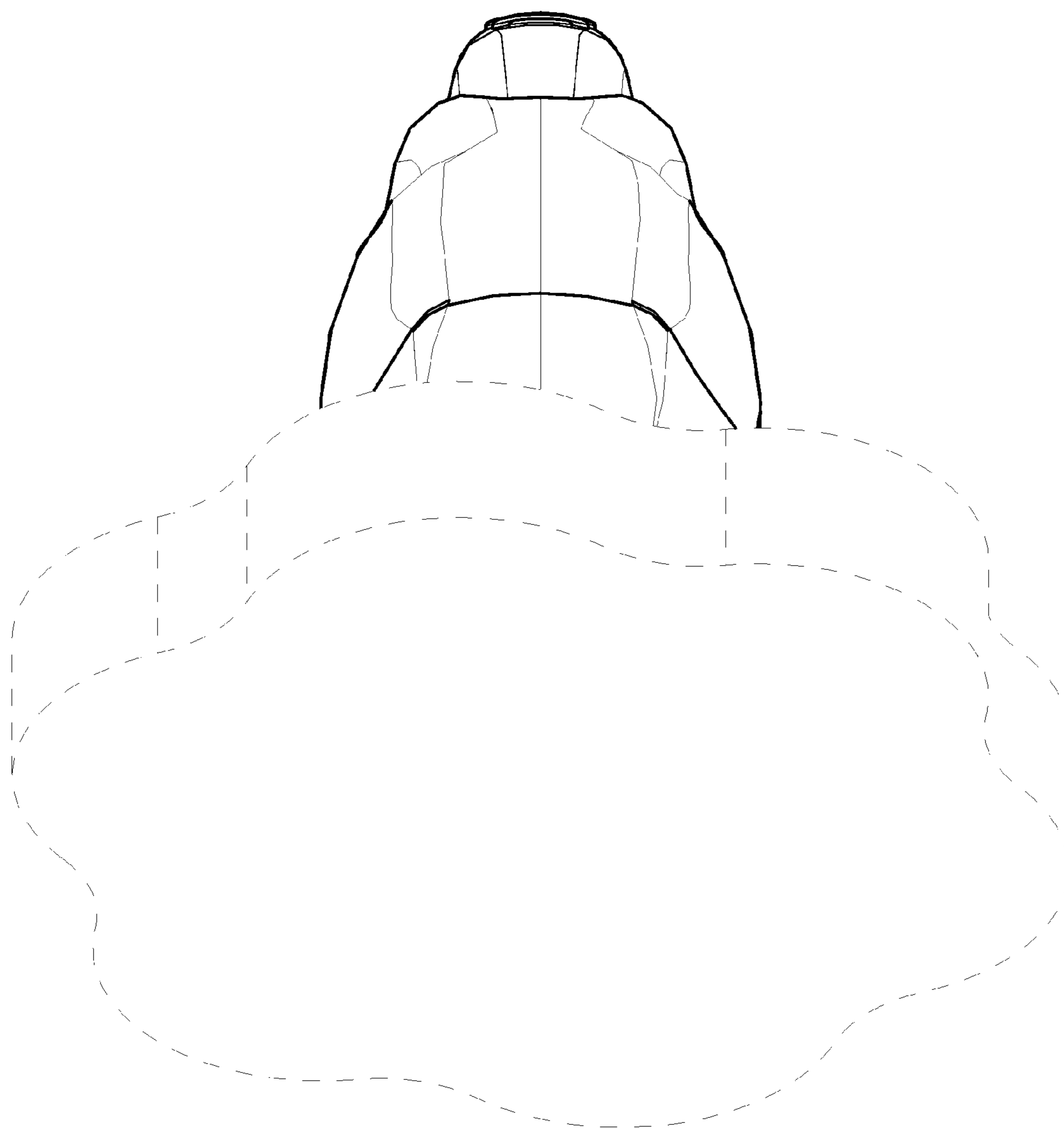


FIG. 6



**FIG. 7**



**FIG. 8**