



US00D632490S

(12) **United States Design Patent**
Cobabe et al.

(10) **Patent No.:** **US D632,490 S**
(45) **Date of Patent:** **** Feb. 15, 2011**

- (54) **TOILET BOWL CLEANER WITH HANDLE**
 - (75) Inventors: **Aaron D. Cobabe**, Syracuse, UT (US);
W. Kenneth Thiess, Parker, CO (US);
David J. Lowe, Parker, CO (US); **David O. Meyers**, Kaysville, UT (US)
 - (73) Assignee: **SonicScrubbers, Inc.**, Layton, UT (US)
 - (**) Term: **14 Years**
 - (21) Appl. No.: **29/344,932**
 - (22) Filed: **Oct. 6, 2009**
 - (51) **LOC (9) Cl.** **04-02**
 - (52) **U.S. Cl.** **D4/138**
 - (58) **Field of Classification Search** D4/100,
D4/102, 114, 115, 122, 127, 138; 15/22.1,
15/28, 29, 49.1, 50.1, 98, 144.1–144.4, 179,
15/180
- See application file for complete search history.

FOREIGN PATENT DOCUMENTS

DE 32 34 704 3/1984

(Continued)

OTHER PUBLICATIONS

Clorox, *Toilet Wand*, published at least as early as Oct. 1, 2009.

(Continued)

Primary Examiner—Cathron C Brooks
Assistant Examiner—Barbara Fox
(74) *Attorney, Agent, or Firm*—Workman Nydegger

(57) **CLAIM**

The ornamental design for a toilet bowl cleaner with handle, as shown and described.

DESCRIPTION

FIG. 1 is a top perspective view of a toilet bowl cleaner with handle showing our new design;

FIG. 2 is a bottom perspective view thereof;

FIG. 3 is a left side elevational view thereof;

FIG. 4 is a top plan view thereof;

FIG. 5 is a right side elevational view thereof;

FIG. 6 is a bottom plan view thereof;

FIG. 7 is a rear elevational view thereof, taken along line 7—7 on FIG. 5, shown enlarged for ease of illustration;

FIG. 8 is a front elevational view thereof, taken along line 8—8 on FIG. 5, shown enlarged for ease of illustration; and,

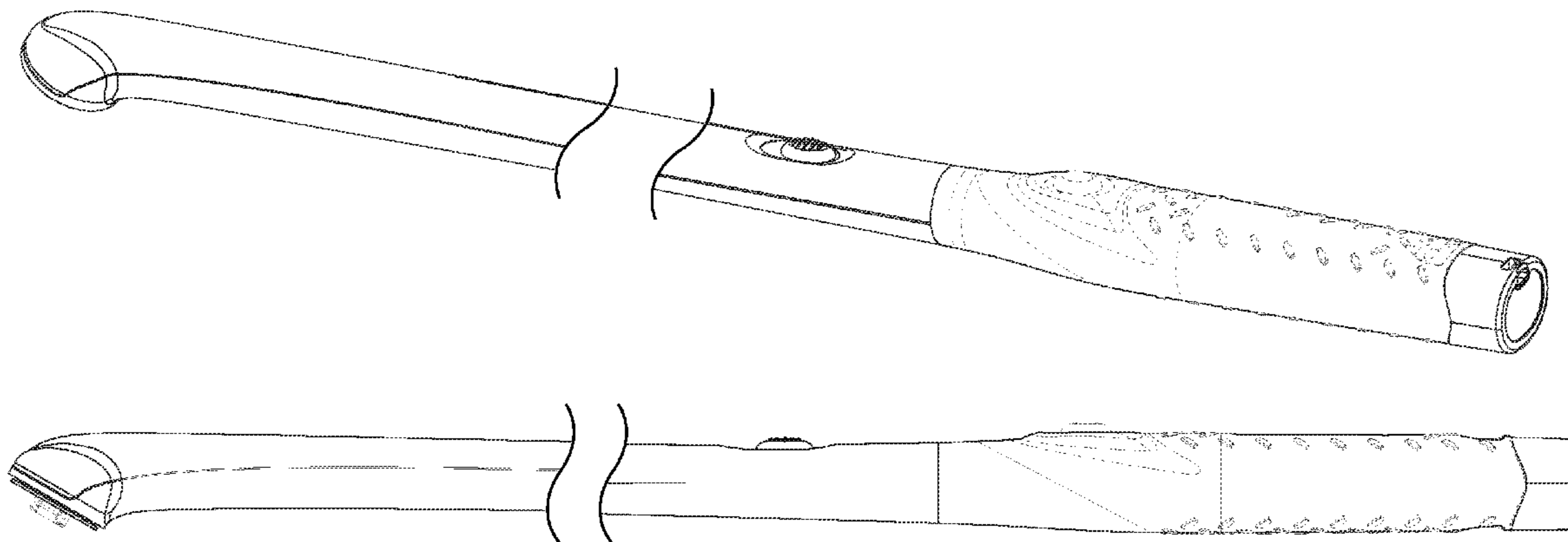
FIG. 9 is a perspective view thereof, taken along line 9—9 on FIG. 5, shown enlarged for ease of illustration.

The broken lines in the drawings illustrate unclaimed portions of the toilet bowl cleaner with handle which form no part of the claimed design.

- (56) **References Cited**
- U.S. PATENT DOCUMENTS
- 1,534,300 A * 4/1925 Coltrane 401/203
- 2,778,043 A 1/1957 Arf
- 2,825,084 A * 3/1958 Sanborn 15/210.1
- 2,911,660 A 11/1959 Klemas et al.
- 3,183,538 A 5/1965 Hubner
- 3,274,631 A 9/1966 Spohr
- 3,667,454 A 6/1972 Prince
- 3,675,645 A 7/1972 Samiran et al.
- 3,699,952 A 10/1972 Waters et al.
- 3,864,779 A 2/1975 Thomas
- 3,939,599 A 2/1976 Henry et al.
- 4,079,517 A 3/1978 Zacharia
- 4,127,911 A 12/1978 Cupp et al.
- 4,137,588 A 2/1979 Sandt et al.
- 4,173,828 A 11/1979 Lustig et al.
- 4,654,921 A 4/1987 Dinner
- 4,827,552 A 5/1989 Bojar et al.

(Continued)

1 Claim, 3 Drawing Sheets



US D632,490 S

U.S. PATENT DOCUMENTS

5,145,369	A	9/1992	Lustig et al.	
5,160,194	A	11/1992	Feldman	
5,341,534	A	8/1994	Serbinski et al.	
5,435,032	A	7/1995	McDougall	
5,465,444	A	11/1995	Bigler et al.	
5,467,495	A	11/1995	Boland et al.	
5,504,959	A	4/1996	Yukawa et al.	
5,577,285	A	11/1996	Drossler	
5,590,434	A	1/1997	Imai	
5,617,601	A	4/1997	McDougall	
5,617,603	A	4/1997	Mei	
5,625,916	A	5/1997	McDougall	
5,652,990	A	8/1997	Driesen et al.	
5,930,860	A	8/1999	Shipp	
5,950,268	A	9/1999	Murphy et al.	
5,956,792	A	9/1999	Gutelius et al.	
5,974,615	A	11/1999	Schwarz-Hartmann et al.	
6,021,538	A	2/2000	Kressner et al.	
6,058,542	A	5/2000	Lo	
6,092,252	A	7/2000	Fischer et al.	
6,178,579	B1	1/2001	Blaustein et al.	
6,199,242	B1	3/2001	Masterman et al.	
6,230,717	B1	5/2001	Marx et al.	
6,253,405	B1	7/2001	Gutelius et al.	
6,295,681	B1	10/2001	Dolah	
D451,287	S *	12/2001	Ingram	D4/118
D452,079	S *	12/2001	Ping	D4/104
6,347,425	B1	2/2002	Fattori et al.	
6,363,565	B1	4/2002	Paffrath	
6,421,865	B1	7/2002	McDougall	
6,421,866	B1	7/2002	McDougall	
6,442,785	B1	9/2002	Robinson	
6,581,233	B1	6/2003	Cheng	
D491,728	S	6/2004	Jimenez	
6,745,427	B1	6/2004	Trenz et al.	
6,792,640	B2	9/2004	Lev	
D513,881	S *	1/2006	Meyers et al.	D4/102
6,993,803	B2	2/2006	Chan	
7,065,825	B2	6/2006	Minkler et al.	
7,159,265	B2	1/2007	Soller et al.	
7,178,189	B1	2/2007	Perry et al.	
7,237,305	B2 *	7/2007	Newman et al.	16/429

7,258,229	B2	8/2007	Chan	
7,287,295	B2	10/2007	Treacy et al.	
7,316,046	B2	1/2008	Michaels et al.	
7,360,269	B2 *	4/2008	Cobabe et al.	15/22.1
7,469,703	B2	12/2008	France et al.	
7,614,107	B2	11/2009	Cobabe et al.	
D623,411	S *	9/2010	Cobabe et al.	D4/102
2001/0042280	A1	11/2001	Moskovich et al.	
2002/0004964	A1	1/2002	Luchino et al.	
2002/0039720	A1	4/2002	Marx et al.	
2002/0066147	A1	6/2002	Schutz	
2002/0162180	A1	11/2002	Blaustein et al.	
2003/0131427	A1	7/2003	Hilscher et al.	
2003/0140437	A1	7/2003	Eliav et al.	
2003/0154567	A1	8/2003	Drossler et al.	
2003/0163881	A1	9/2003	Driesen et al.	
2003/0221269	A1	12/2003	Zhuan	
2004/0083567	A1	5/2004	Lies	
2004/0143923	A1 *	7/2004	Bensussan et al.	15/160
2004/0200016	A1	10/2004	Chan et al.	
2004/0244130	A1	12/2004	Kim	
2005/0011023	A1	1/2005	Chan	
2005/0053895	A1	3/2005	Pinyayev et al.	
2005/0055784	A1	3/2005	Wong	
2005/0066996	A1	3/2005	France et al.	
2005/0144744	A1 *	7/2005	Thiess et al.	15/22.1
2008/0022472	A1 *	1/2008	Minkler et al.	15/143.1

FOREIGN PATENT DOCUMENTS

DE	43 15 320	A1	11/1994
EM	66782-0001		8/2003
EM	98991-0003		11/2003
JP	2006-271645		10/2006

OTHER PUBLICATIONS

Scotch-Brite, *Disposable Toilet Scrubbers*, published at least as early as Oct. 1, 2009.

Scrubbing Bubbles, *Fresh Brush*, published at least as early as Oct. 1, 2009.

SonicScrubbers, LLC, *SonicScrubbies*, published at least as early as Jun. 1, 2008.

* cited by examiner

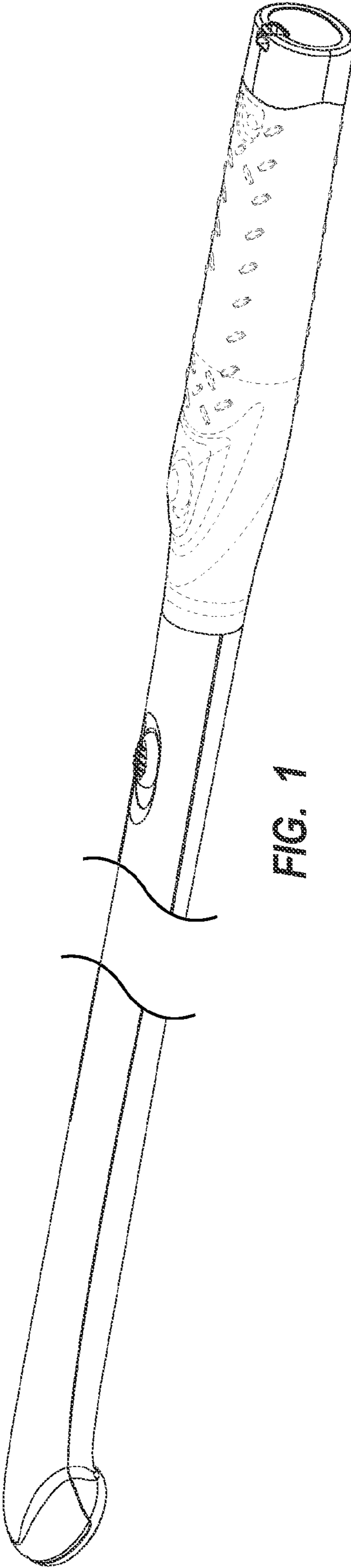


FIG. 1

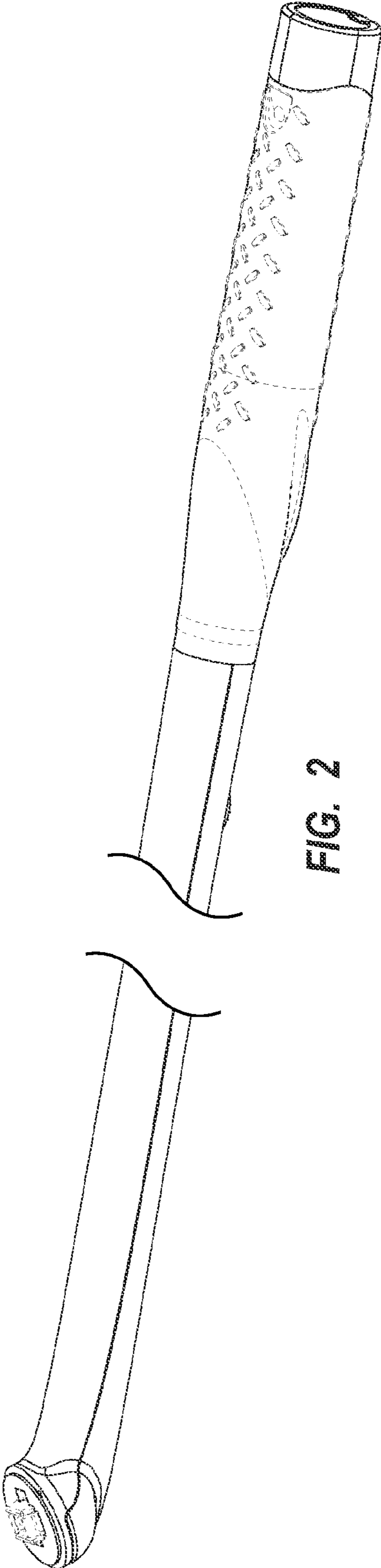


FIG. 2

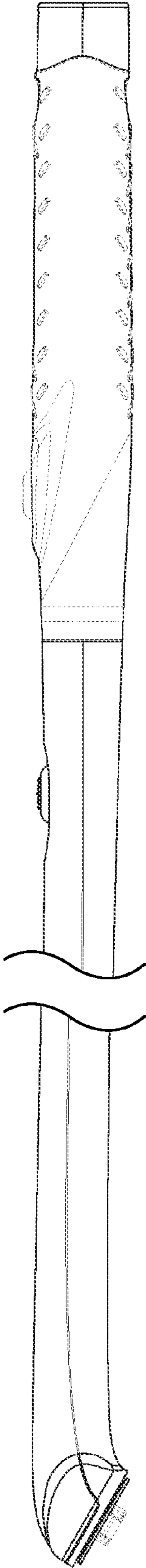


FIG. 3

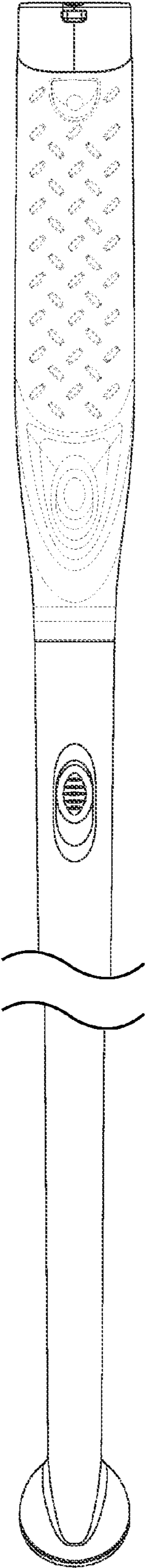


FIG. 4

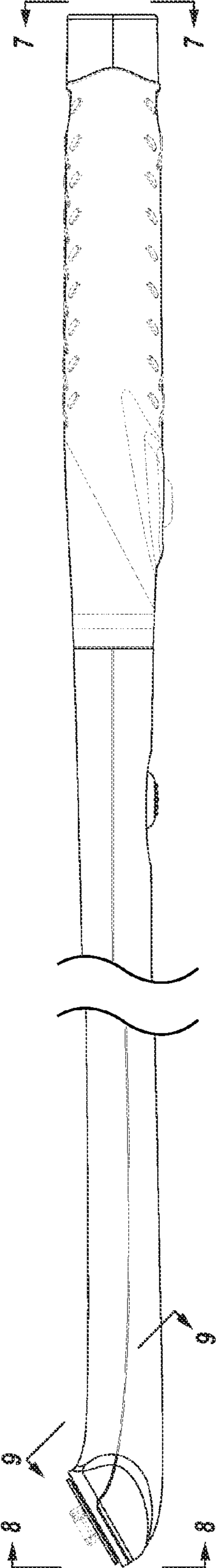


FIG. 5

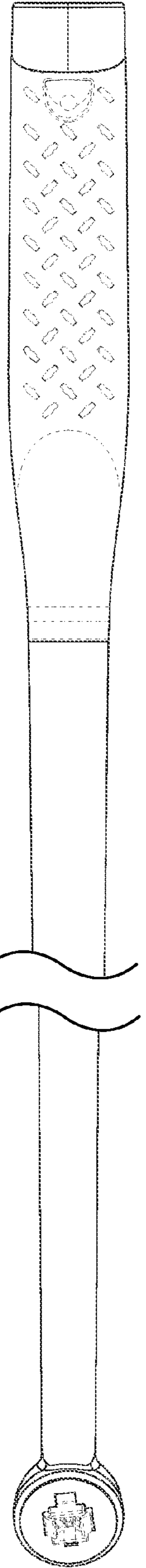


FIG. 6

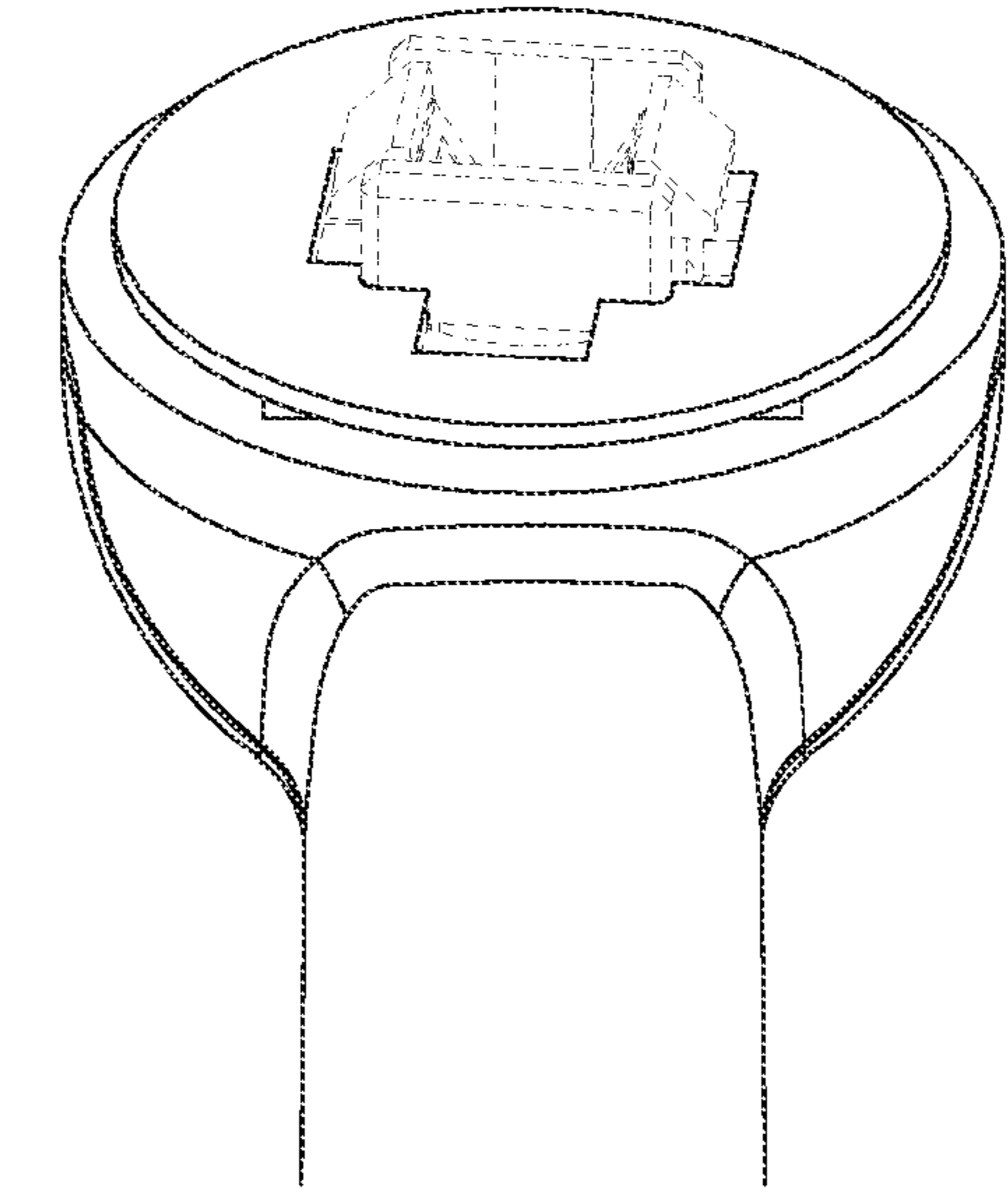


FIG. 7

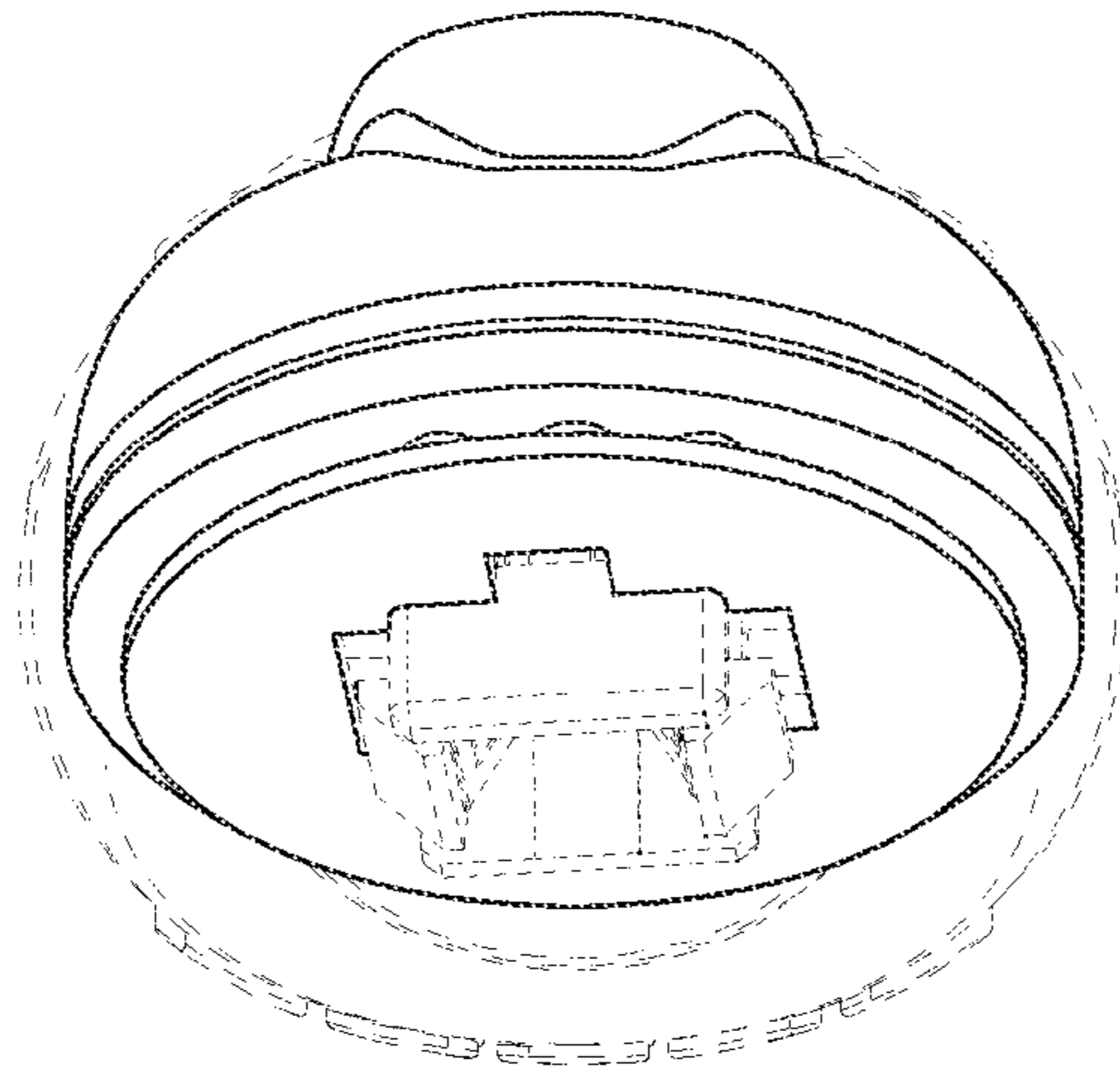


FIG. 8

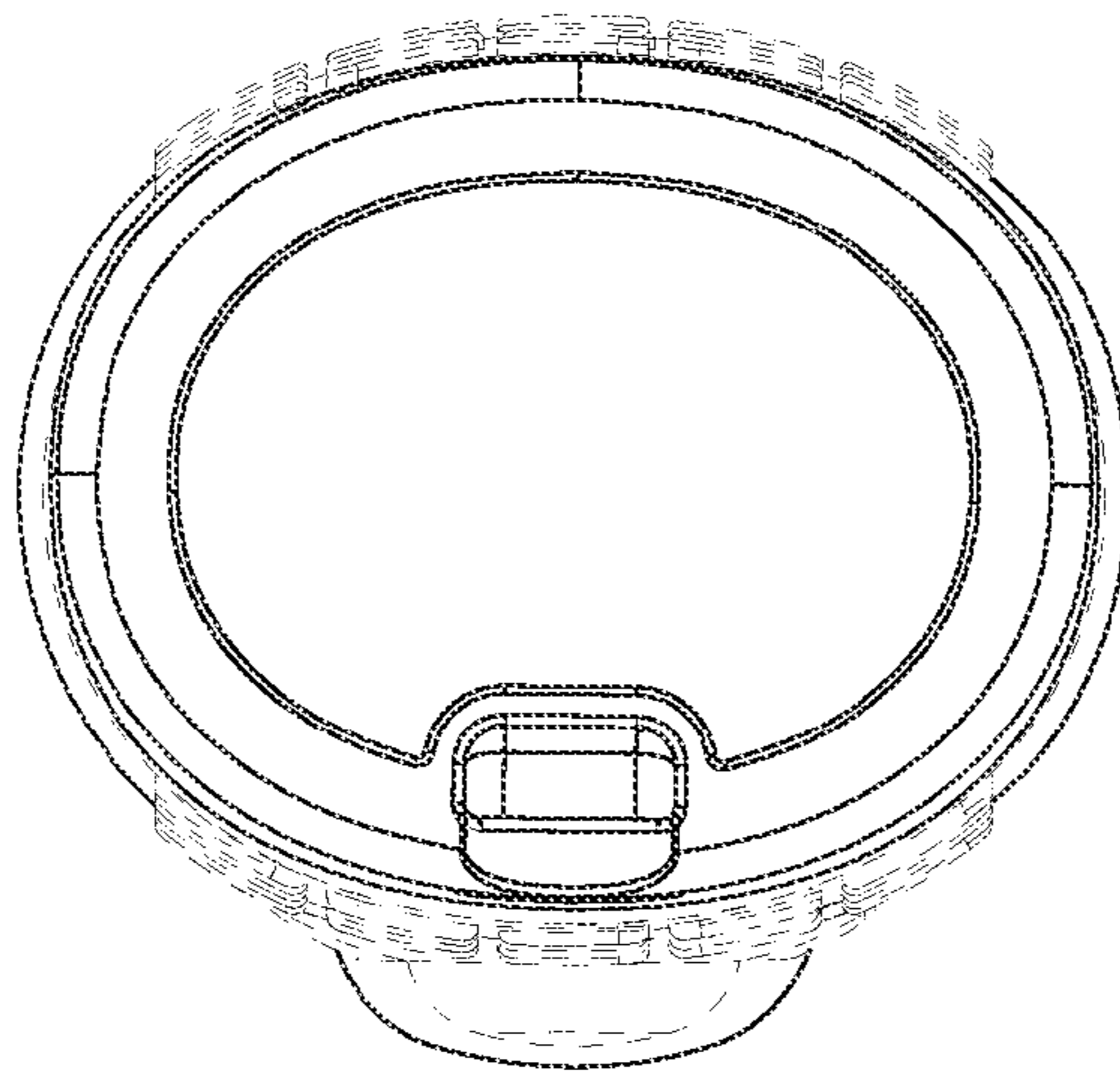


FIG. 9