



US00D632489S

(12) **United States Design Patent**
Twigg

(10) **Patent No.:** **US D632,489 S**

(45) **Date of Patent:** **** Feb. 15, 2011**

(54) **PAINT BRUSH HANDLE**

(76) Inventor: **Ronald Twigg**, 7 Ridge View Drive,
Sheffield (GB) S9 1EF

(**) Term: **14 Years**

(21) Appl. No.: **29/333,192**

(22) Filed: **Mar. 4, 2009**

(30) **Foreign Application Priority Data**

Sep. 5, 2008 (EM) 000998042-0001

(51) **LOC (9) Cl.** **04-04**

(52) **U.S. Cl.** **D4/138**

(58) **Field of Classification Search** D4/118,
D4/132, 135, 138; 15/111, 143.1, 159.1,
15/160, 168, 171, 175, 191.1, 193, 202, DIG. 4;
16/110.1, 430

See application file for complete search history.

(56) **References Cited**

U.S. PATENT DOCUMENTS

D211,446 S * 6/1968 Hange D4/135
D273,636 S * 5/1984 Chu D4/138
D366,150 S * 1/1996 Suchomel D4/116
D380,615 S * 7/1997 Roberts D4/135

D423,788 S * 5/2000 Southwell D4/118
6,195,830 B1 * 3/2001 Bruschi 15/143.1
D461,960 S * 8/2002 Bock D4/118
D485,442 S * 1/2004 Twigg D4/135

* cited by examiner

Primary Examiner—Nanda Bondade

(74) *Attorney, Agent, or Firm*—Woodard Emhardt Moriarty
McNett & Henry LLP

(57) **CLAIM**

The ornamental design for a paint brush handle, as shown and described.

DESCRIPTION

FIG. 1 is a front view showing my new design with the rear view being a mirror image thereof;

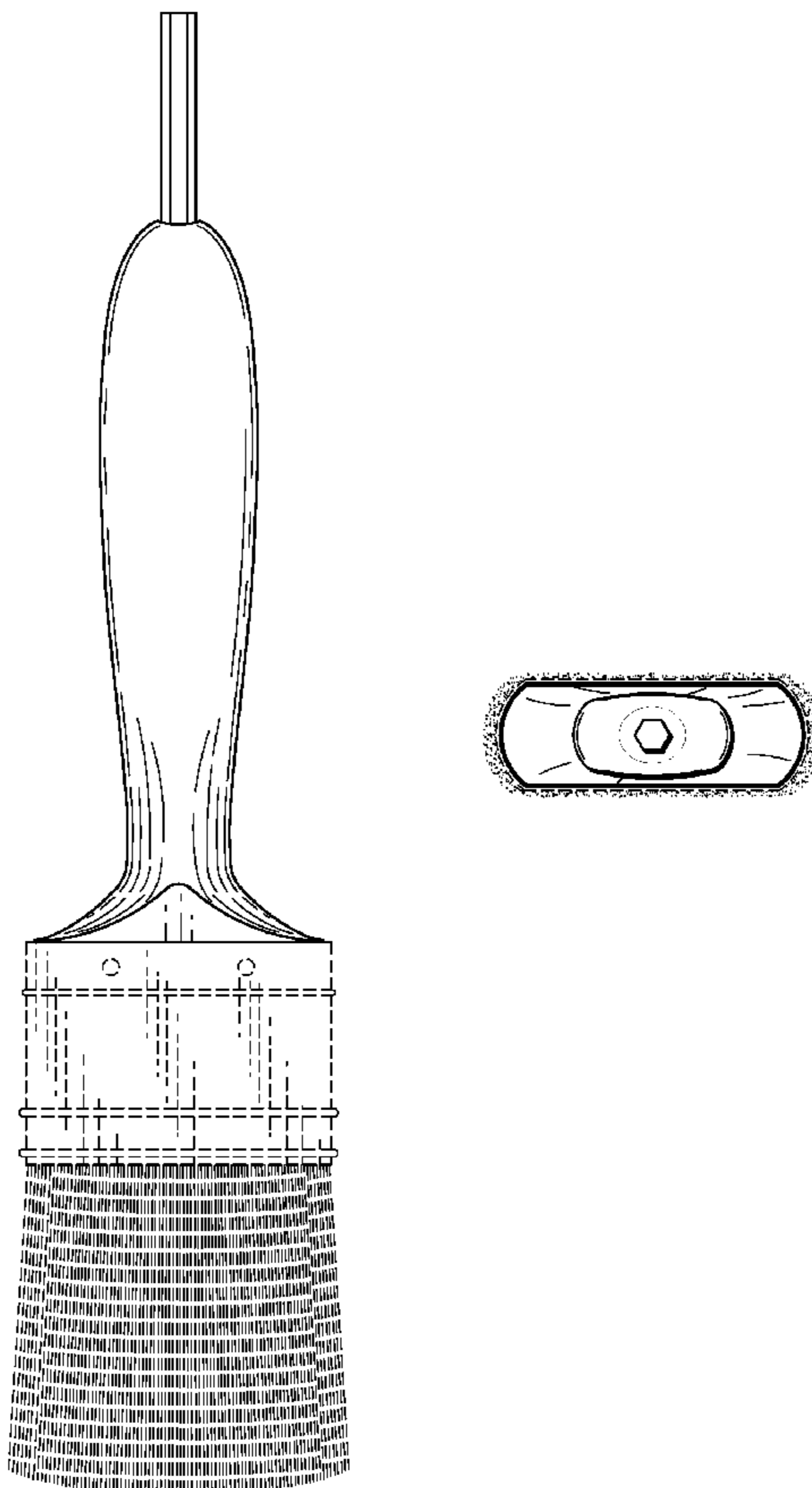
FIG. 2 is a side view with the opposite side view being a mirror image thereof;

FIG. 3 is a top view thereof; and,

FIG. 4 is a bottom view thereof.

The broken lines and stippling shown on the drawings for the bristles and bristle holder is for illustrative purposes only and forms no part of the claimed design.

1 Claim, 3 Drawing Sheets



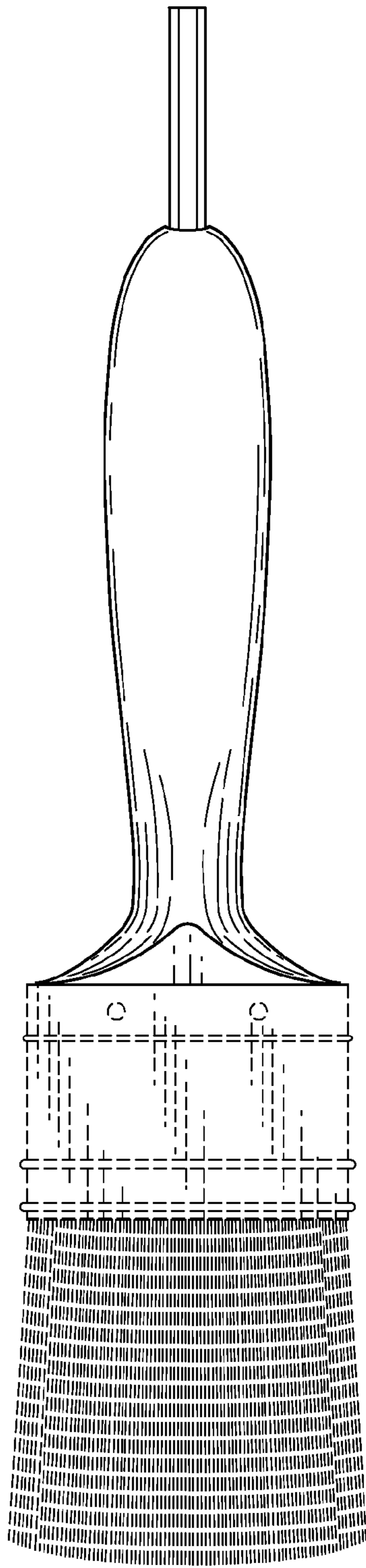


Fig. 1

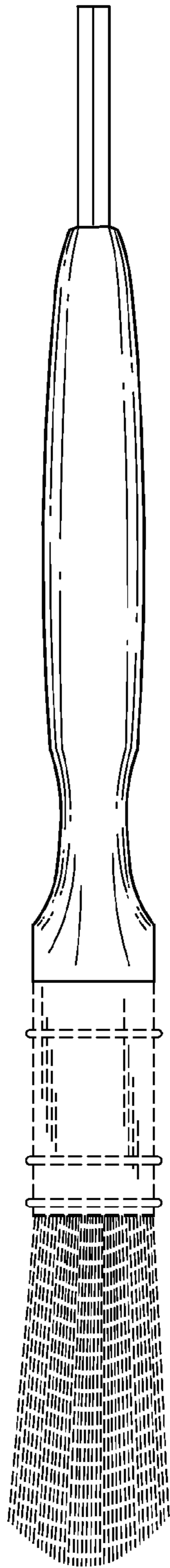


Fig. 2

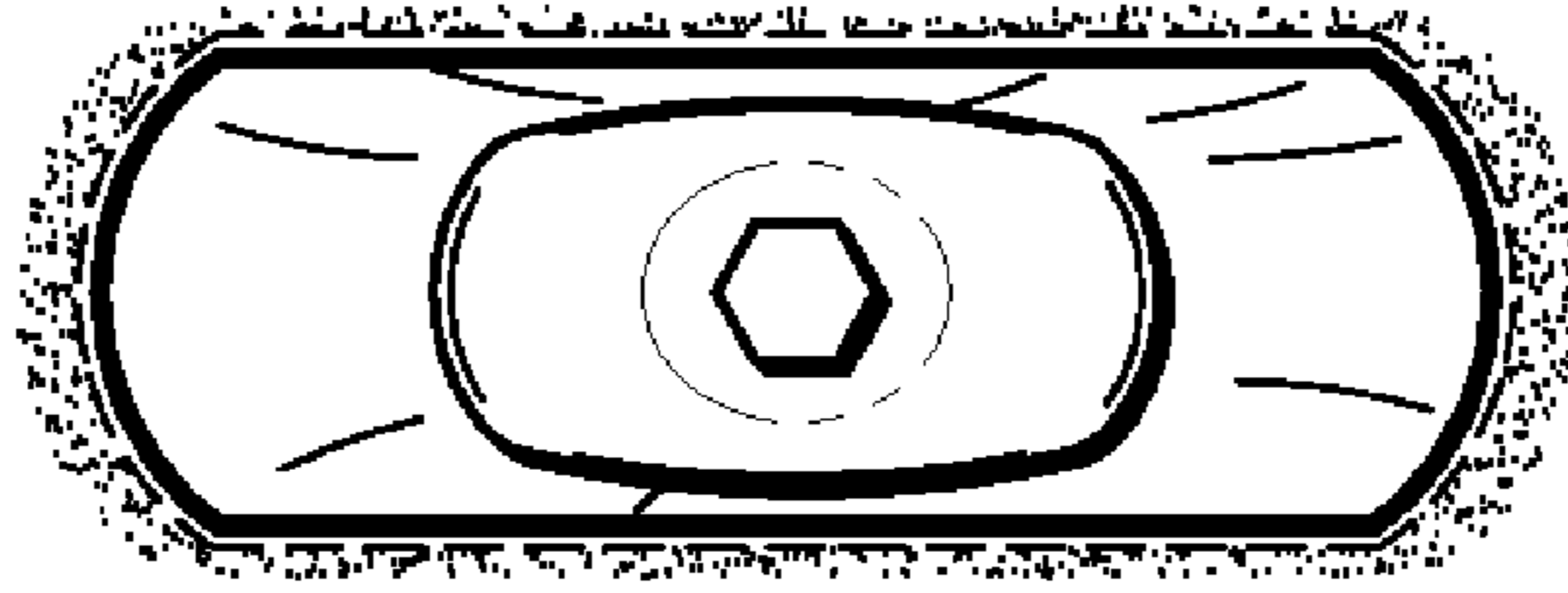


Fig. 3

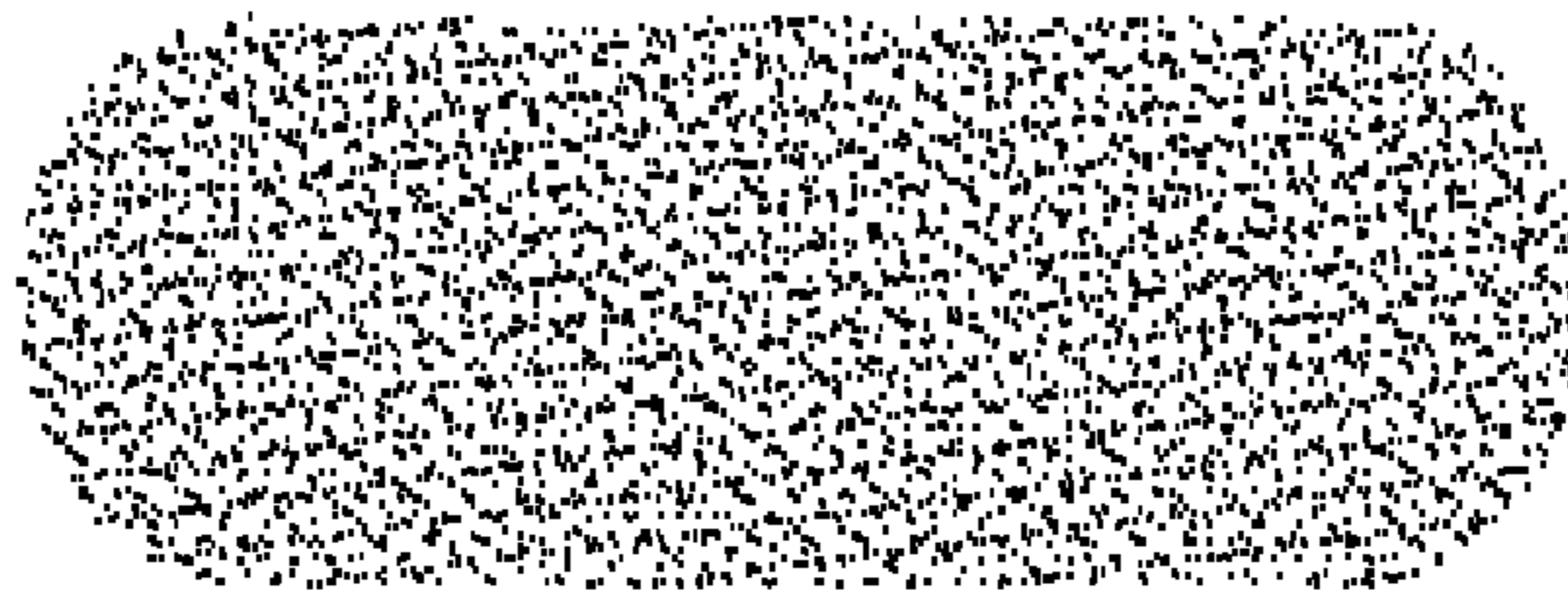


Fig. 4