



US00D632487S

(12) **United States Design Patent**
Watanabe et al.

(10) **Patent No.:** **US D632,487 S**
(45) **Date of Patent:** **** Feb. 15, 2011**

(54) **IMPLEMENT FOR WASHING SCALP**

JP	1297432	4/2007
JP	1314264	11/2007
JP	1314267	11/2007
JP	1354705	3/2009
JP	1354706	3/2009
KR	30-0419257 S *	7/2006

(75) Inventors: **Toshio Watanabe**, Tokyo (JP); **Keiji Yoshii**, Tokyo (JP)

(73) Assignee: **Kao Corporation**, Tokyo (JP)

(**) Term: **14 Years**

* cited by examiner

(21) Appl. No.: **29/354,916**

Primary Examiner—Melanie H Tung
Assistant Examiner—Lavone D Tabor

(22) Filed: **Jan. 29, 2010**

(74) *Attorney, Agent, or Firm*—Oblon, Spivak, McClelland, Maier & Neustadt, L.L.P.

(30) **Foreign Application Priority Data**

Jul. 29, 2009 (JP) D2009-017301

(57) **CLAIM**

(51) **LOC (9) Cl.** **04-02**

The ornamental design for an implement for washing scalp, as shown and described.

(52) **U.S. Cl.** **D4/136; D28/63**

(58) **Field of Classification Search** D4/136;
D24/200, 211–215; D28/20, 21, 28, 63;
D30/158; 15/188; 119/600, 603, 612, 615,
119/625, 664; 132/901; 401/28; 601/12,
601/109, 134–137, DIG. 15

DESCRIPTION

See application file for complete search history.

FIG. 1 is a top perspective view of an implement for washing scalp;

FIG. 2 is a bottom perspective view thereof;

FIG. 3 is a front view thereof;

FIG. 4 is a right side view thereof;

FIG. 5 is a left side view thereof; and,

FIG. 6 is a bottom plan view thereof.

The broken lines in the drawings depict environmental subject matter only and form no part of the claimed design.

(56) **References Cited**

U.S. PATENT DOCUMENTS

2,480,023 A *	8/1949	Holden	401/28
D548,355 S *	8/2007	Lai	D24/214
D604,859 S *	11/2009	Liu	D24/211

FOREIGN PATENT DOCUMENTS

JP	1105693	4/2001
----	---------	--------

1 Claim, 6 Drawing Sheets

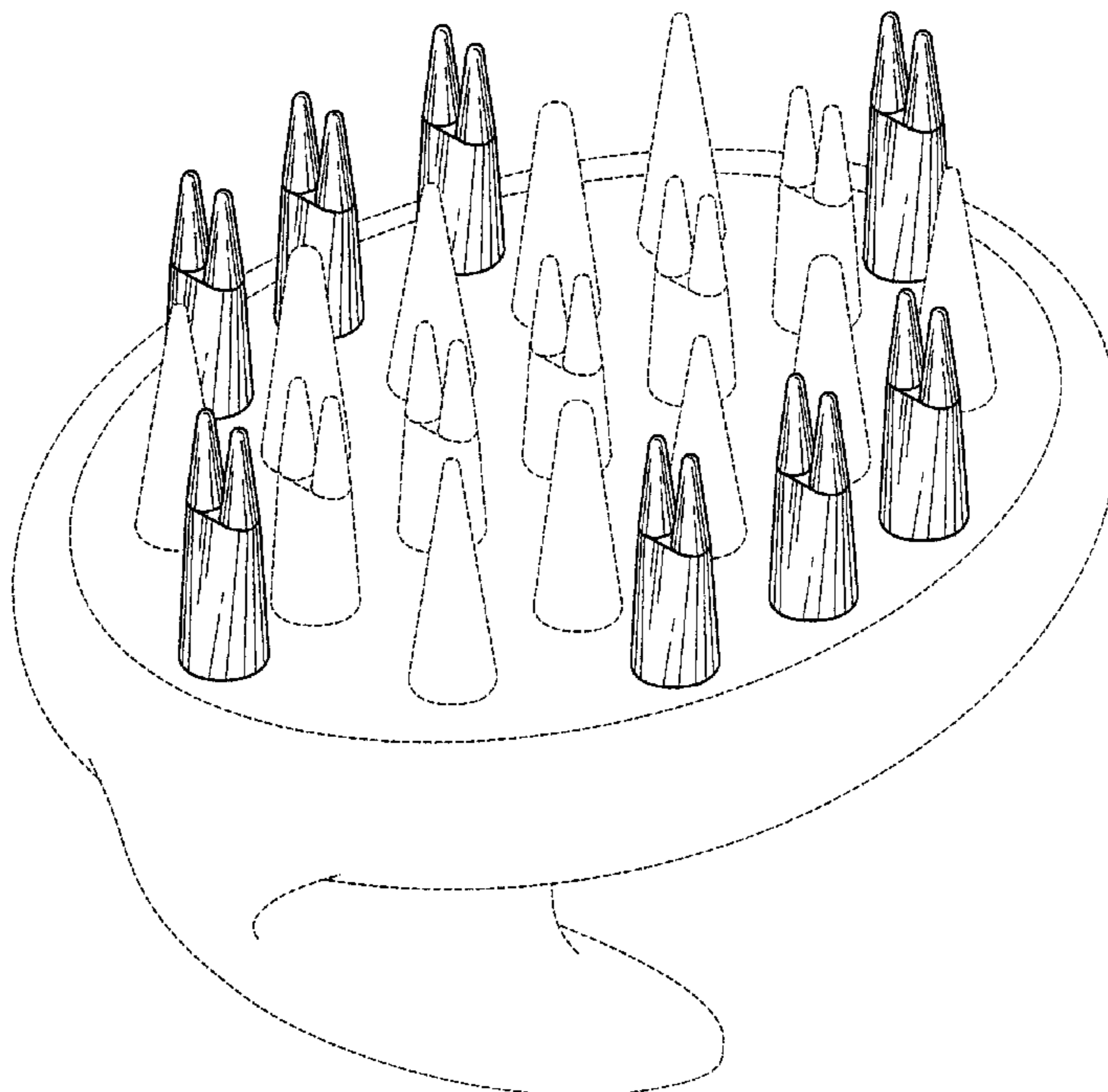


Fig.1

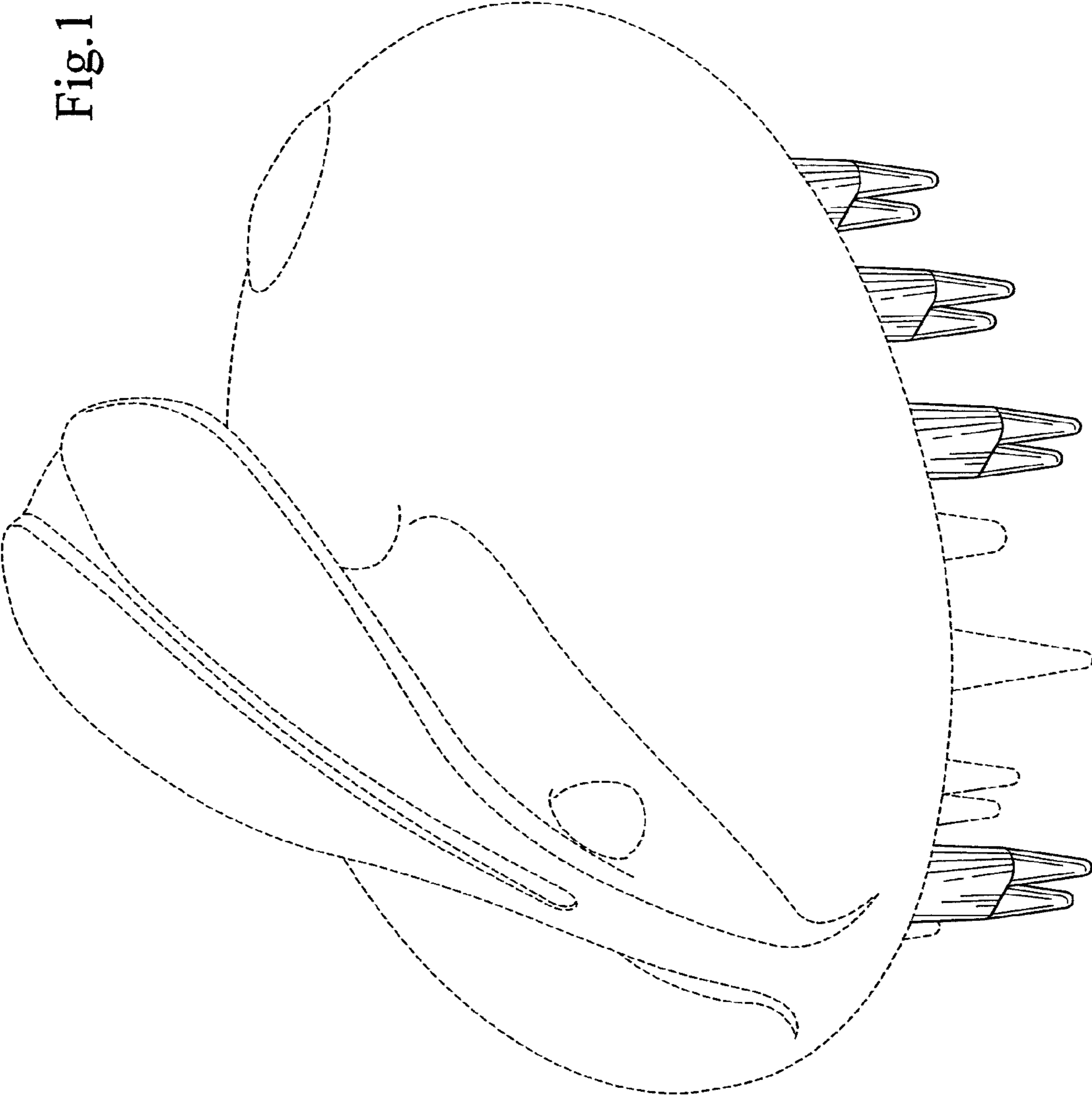


Fig.2

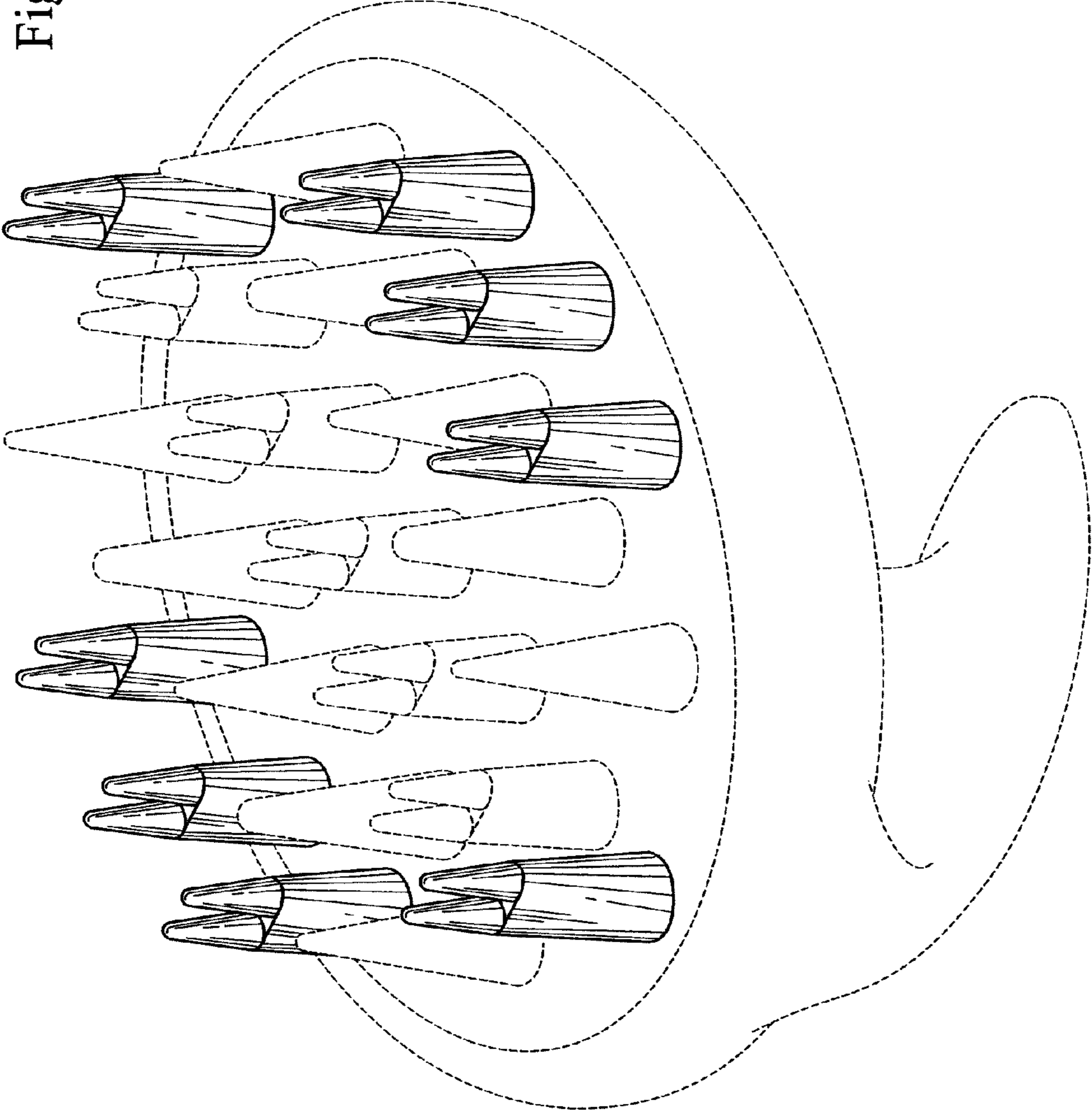


Fig.3

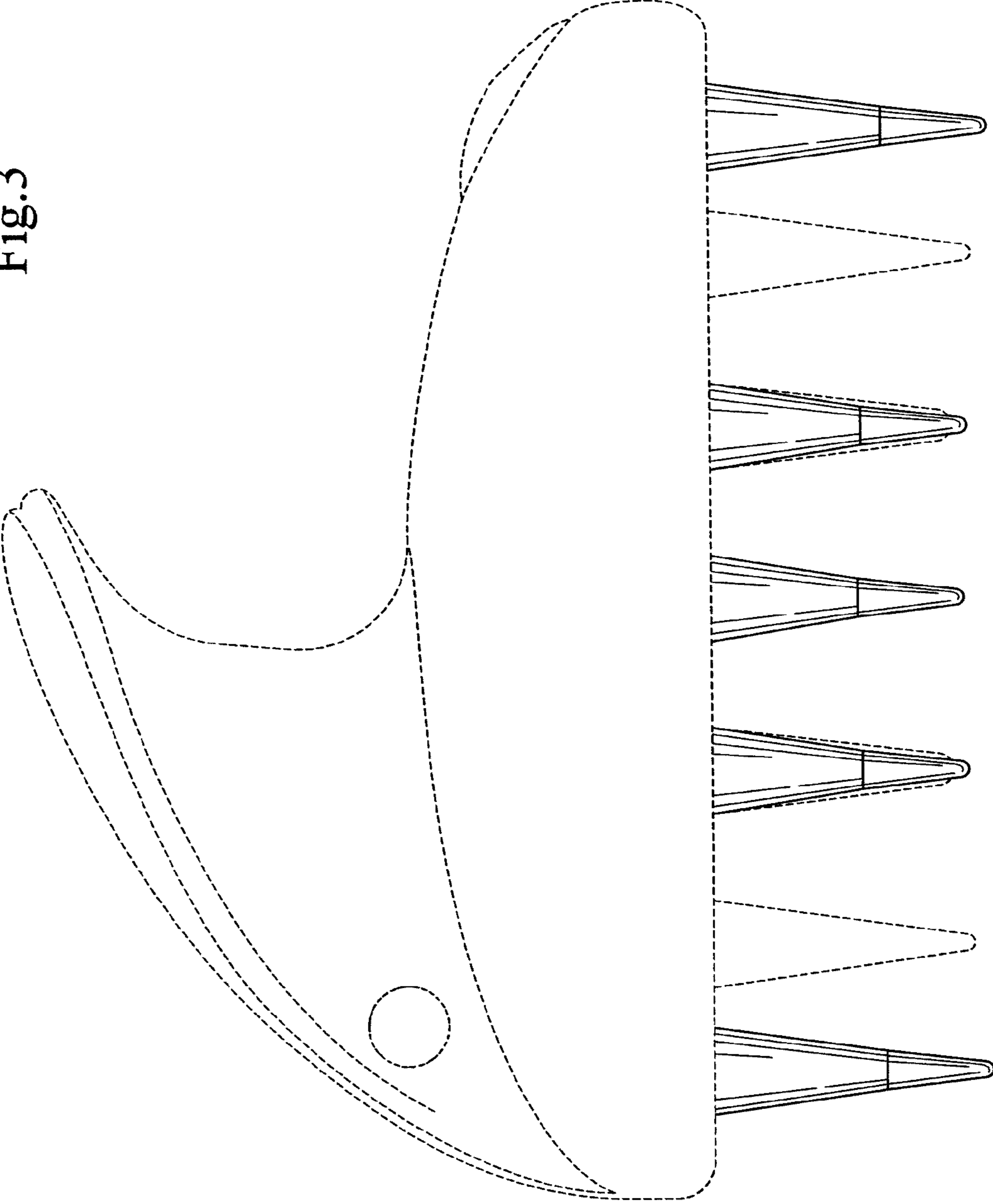


Fig.4

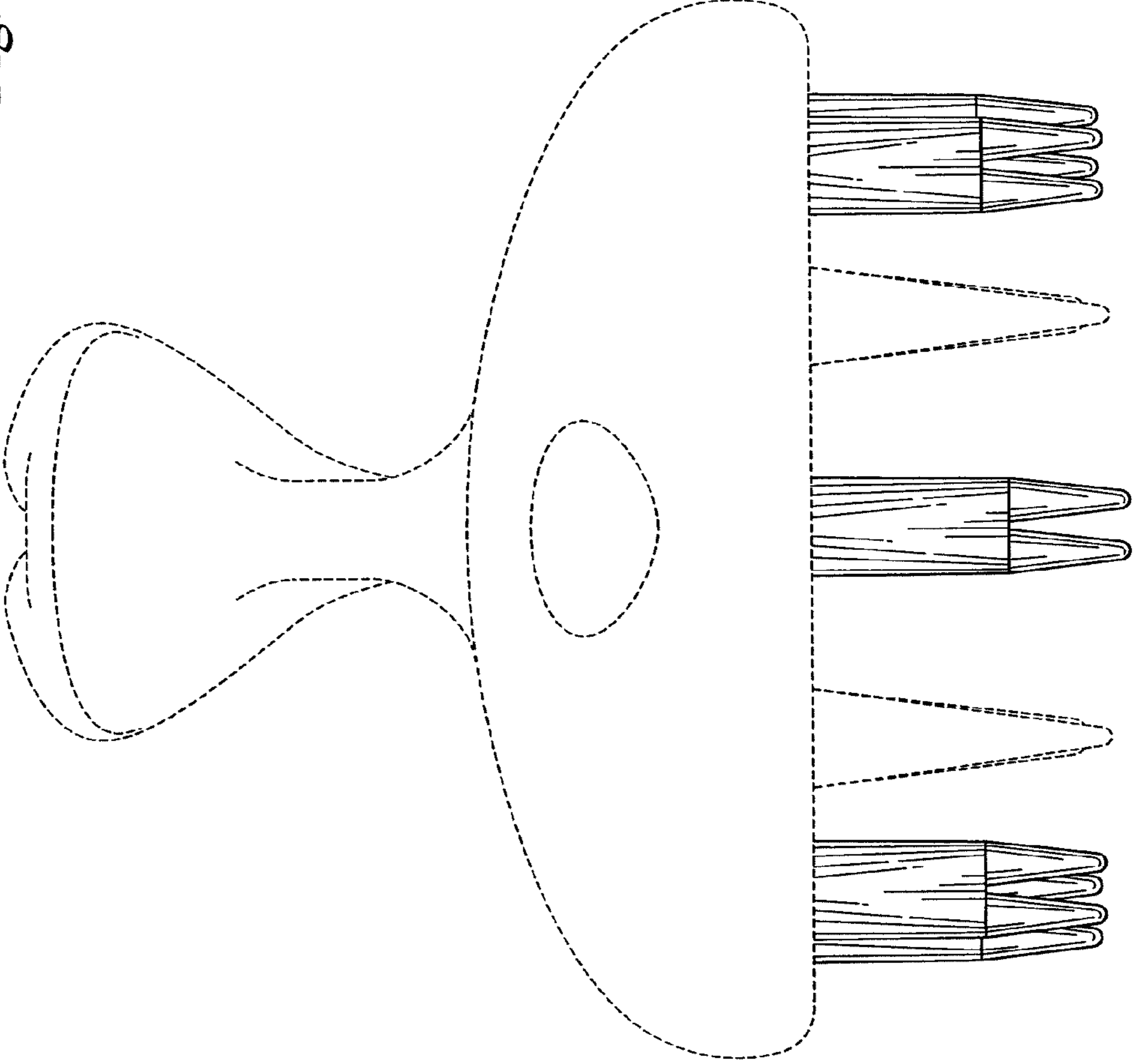


Fig.5

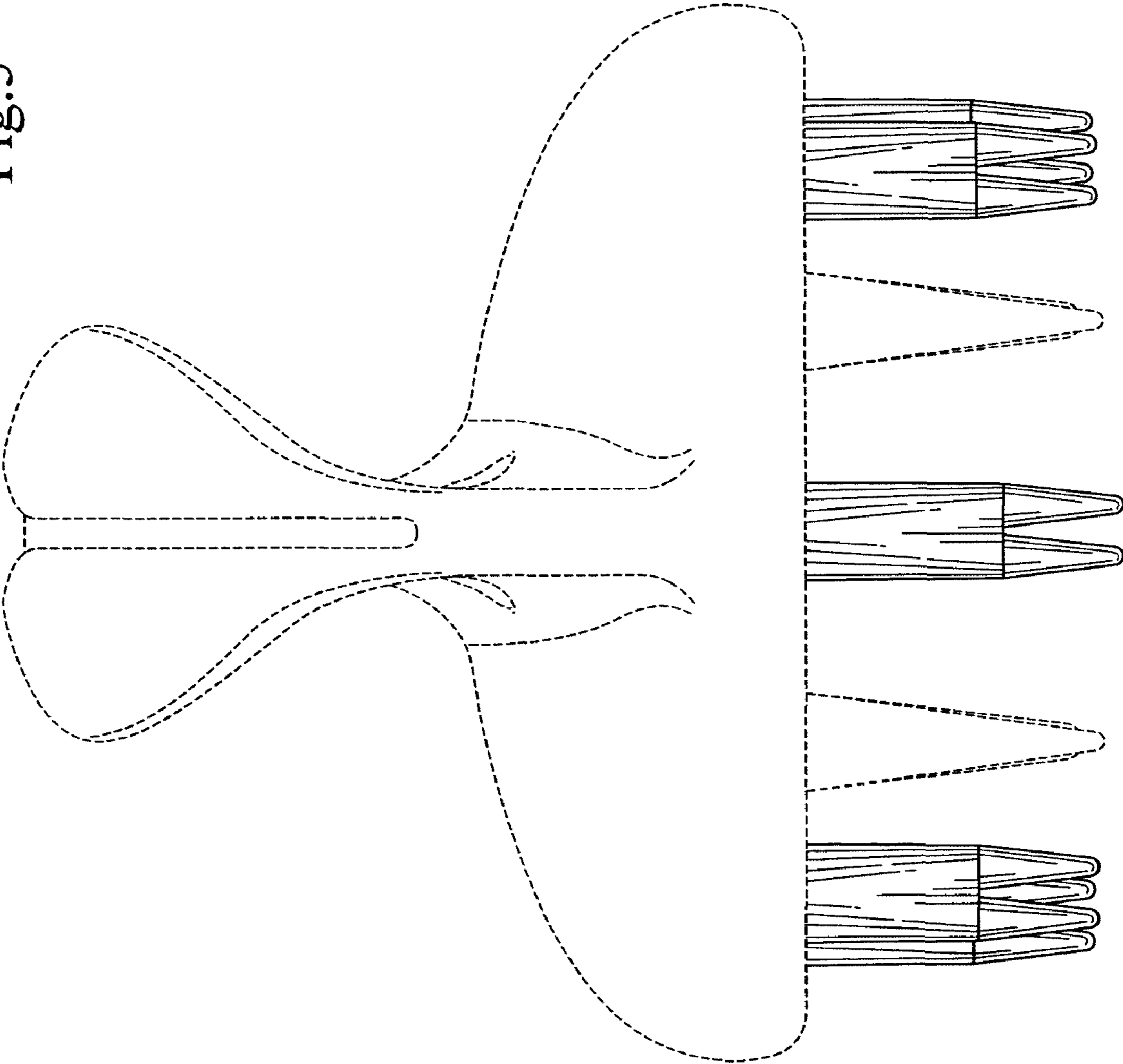


Fig.6

