



US00D632480S

(12) **United States Design Patent**
LaCorte

(10) **Patent No.:** **US D632,480 S**

(45) **Date of Patent:** **** *Feb. 15, 2011**

(54) **MULTI-USE HANDBAG**

(76) Inventor: **Jill LaCorte**, 15 Belvedere Ave.,
Belvedere, CA (US) 94920

(*) Notice: This patent is subject to a terminal disclaimer.

(**) Term: **14 Years**

(21) Appl. No.: **29/316,703**

(22) Filed: **Oct. 22, 2009**

Related U.S. Application Data

(62) Division of application No. 29/314,318, filed on Mar. 20, 2009.

(51) **LOC (9) Cl.** **03-01**

(52) **U.S. Cl.** **D3/232**

(58) **Field of Classification Search** D3/232–233,
D3/240–246, 318, 324; 150/100, 103–104,
150/106–110, 113–114, 118–119

See application file for complete search history.

(56) **References Cited**

U.S. PATENT DOCUMENTS

D403,159 S 12/1998 Bellechili
D423,215 S 4/2000 Furlanetto

D426,060 S 6/2000 Chapelier
D441,529 S 5/2001 Guyon
D447,627 S 9/2001 Haapala
D460,622 S 7/2002 Wong
D472,714 S 4/2003 Hersh et al.
D526,120 S 8/2006 Lee et al.
D611,246 S 3/2010 LaCorte

Primary Examiner—Holly H Baynham

(74) *Attorney, Agent, or Firm*—David R Preston & Associates, APC

(57) **CLAIM**

What is claimed is the ornamental design for a multi-use handbag, as shown and described.

DESCRIPTION

FIG. 1 is a perspective view of the multi-use handbag showing my new design;

FIG. 2 is a right side view thereof;

FIG. 3 is a left side view thereof;

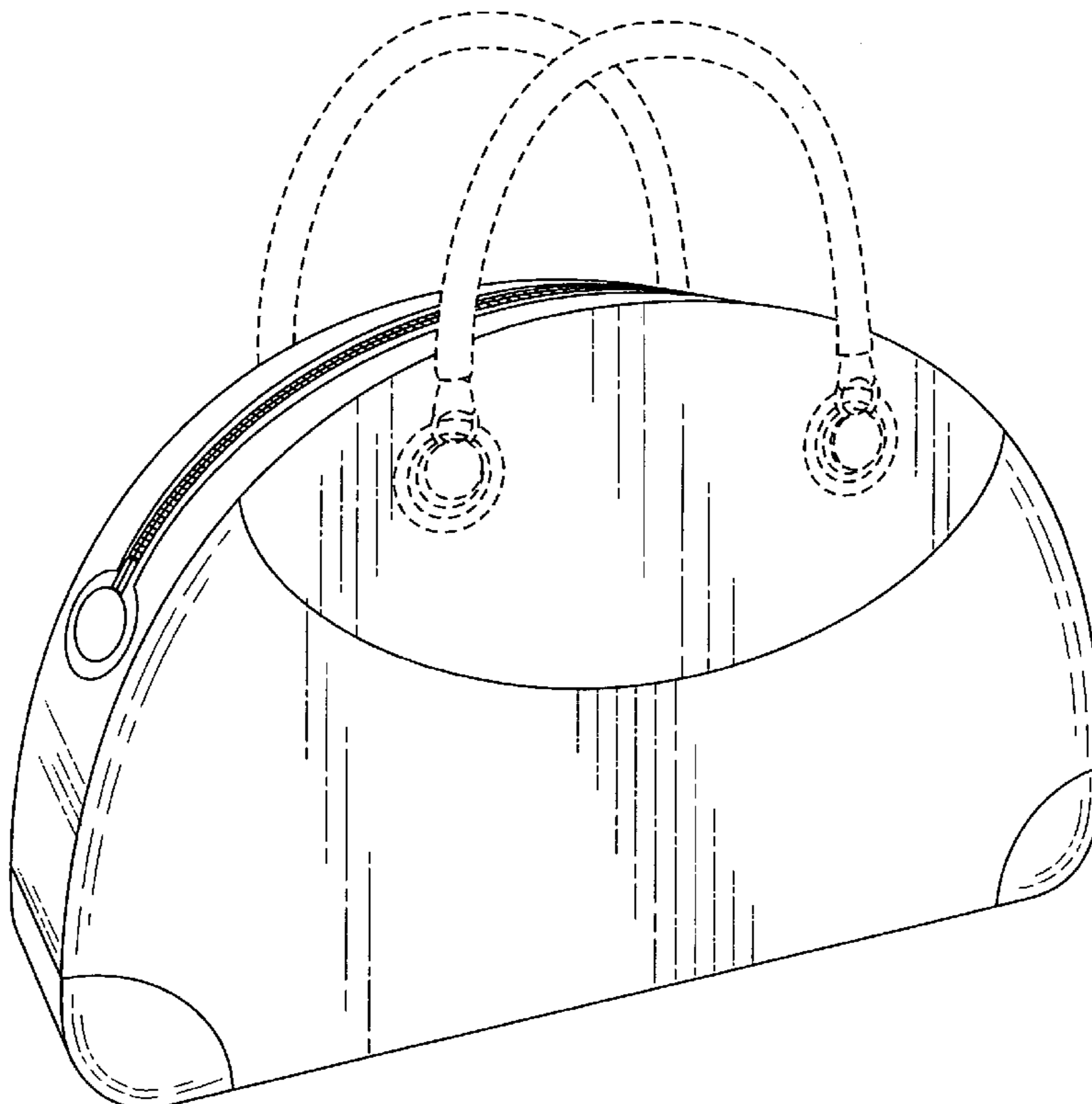
FIG. 4 is an end view thereof;

FIG. 5 is an end view thereof, opposite to that shown in FIG. 4;

FIG. 6 is a top view thereof; and,

FIG. 7 is a bottom view, opposite to that shown in FIG. 6.

1 Claim, 7 Drawing Sheets



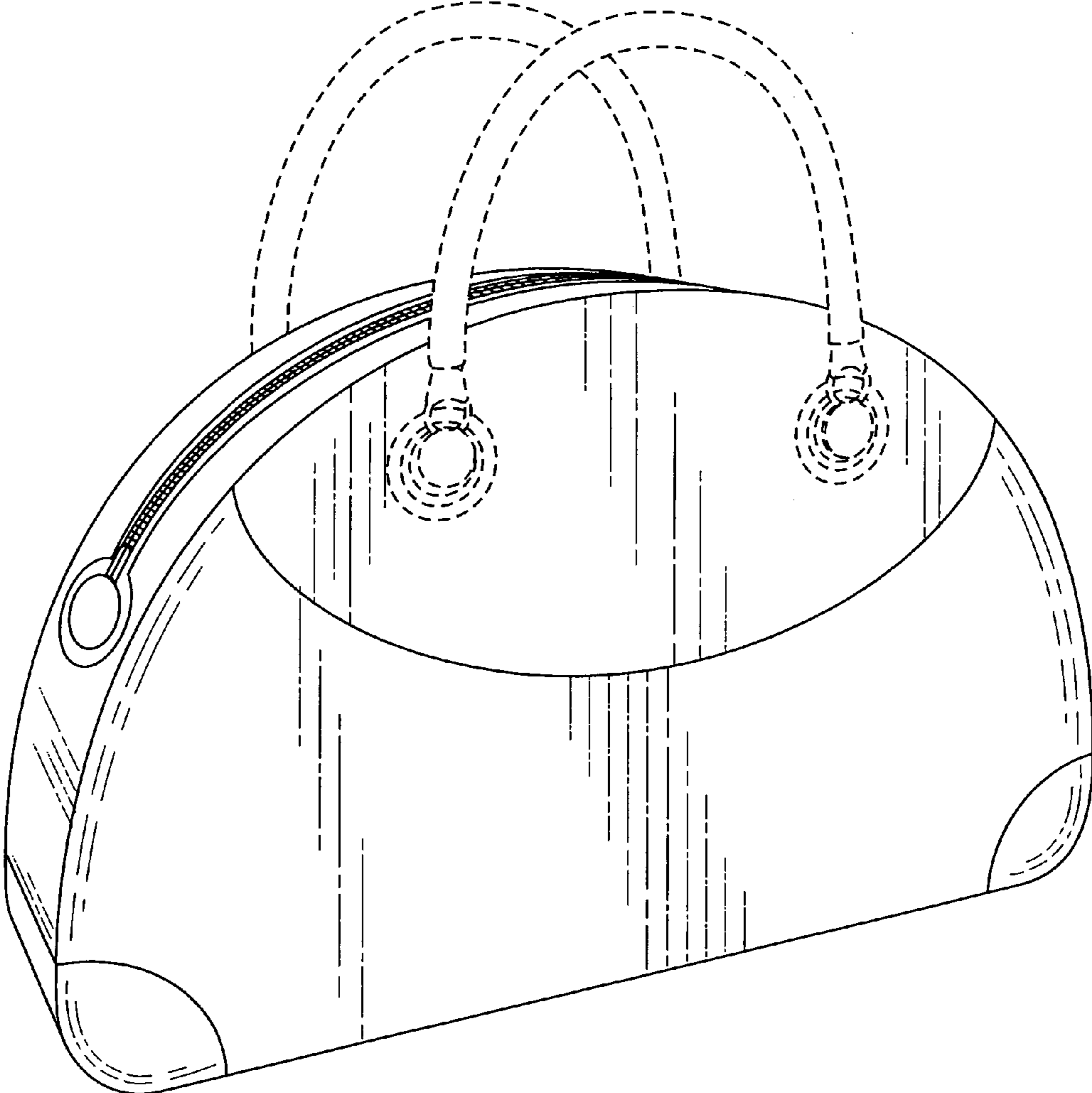


FIG. 1

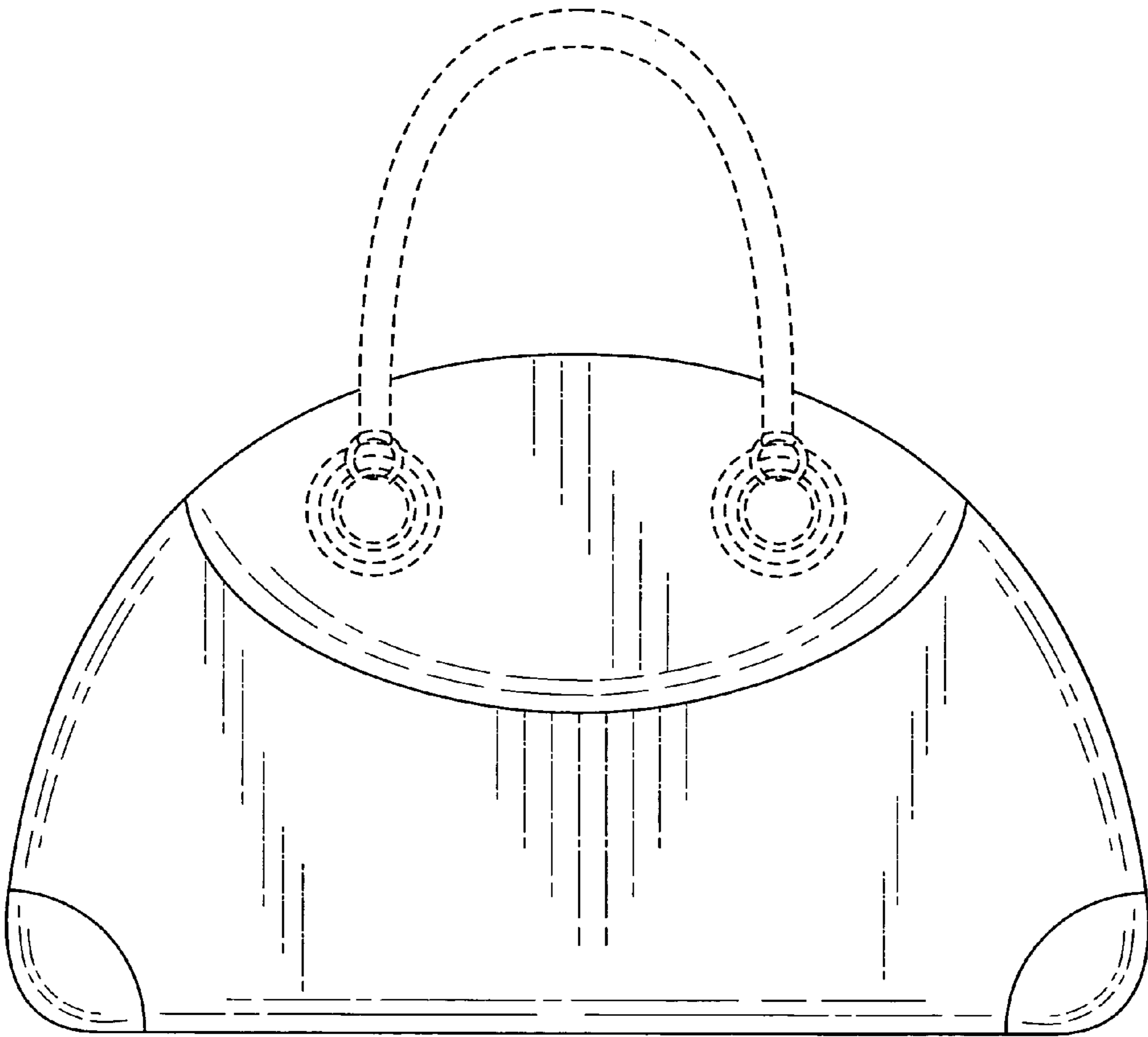


FIG. 2

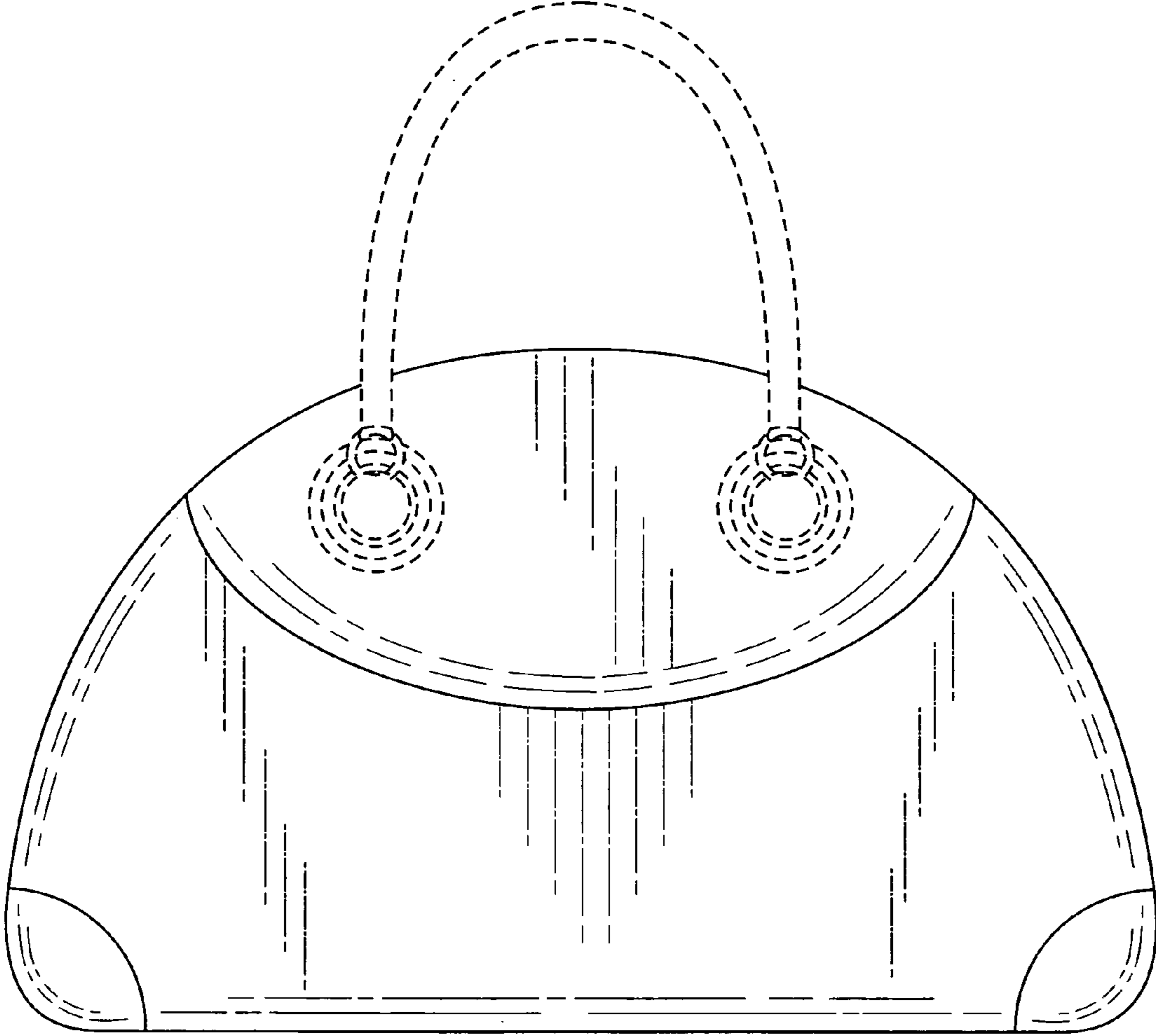


FIG. 3

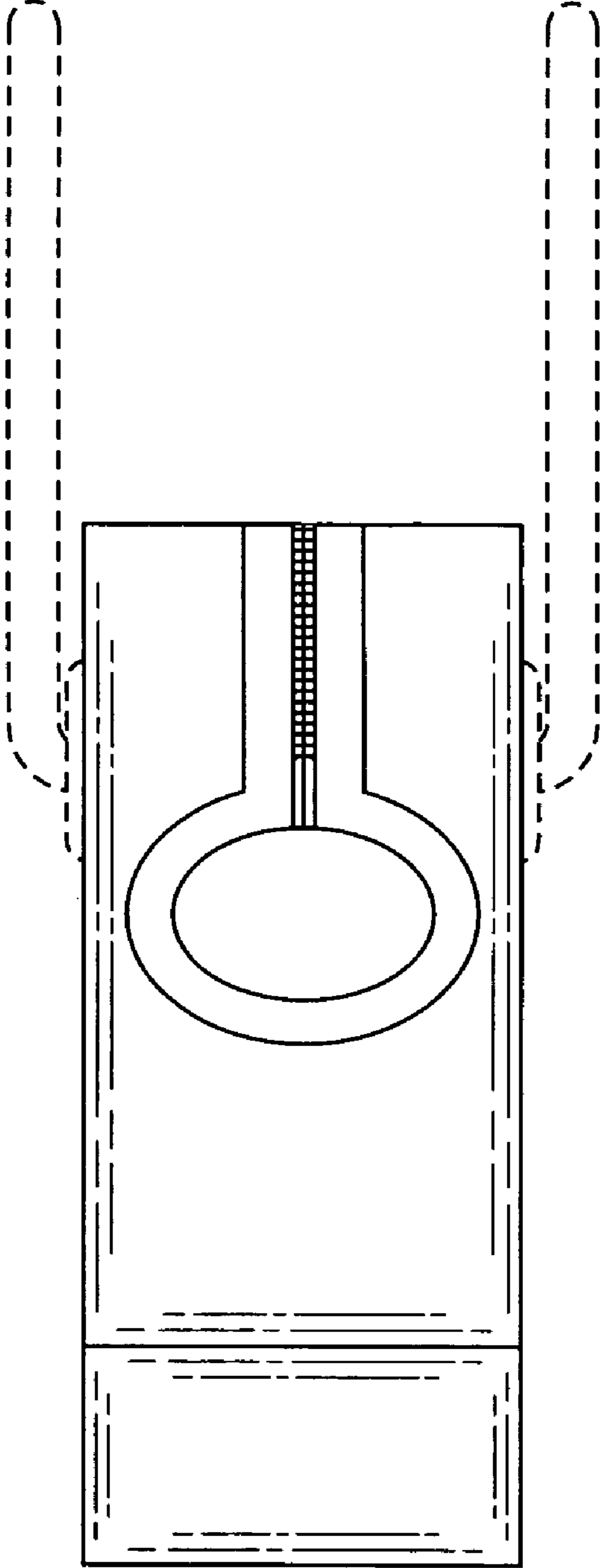


FIG. 4

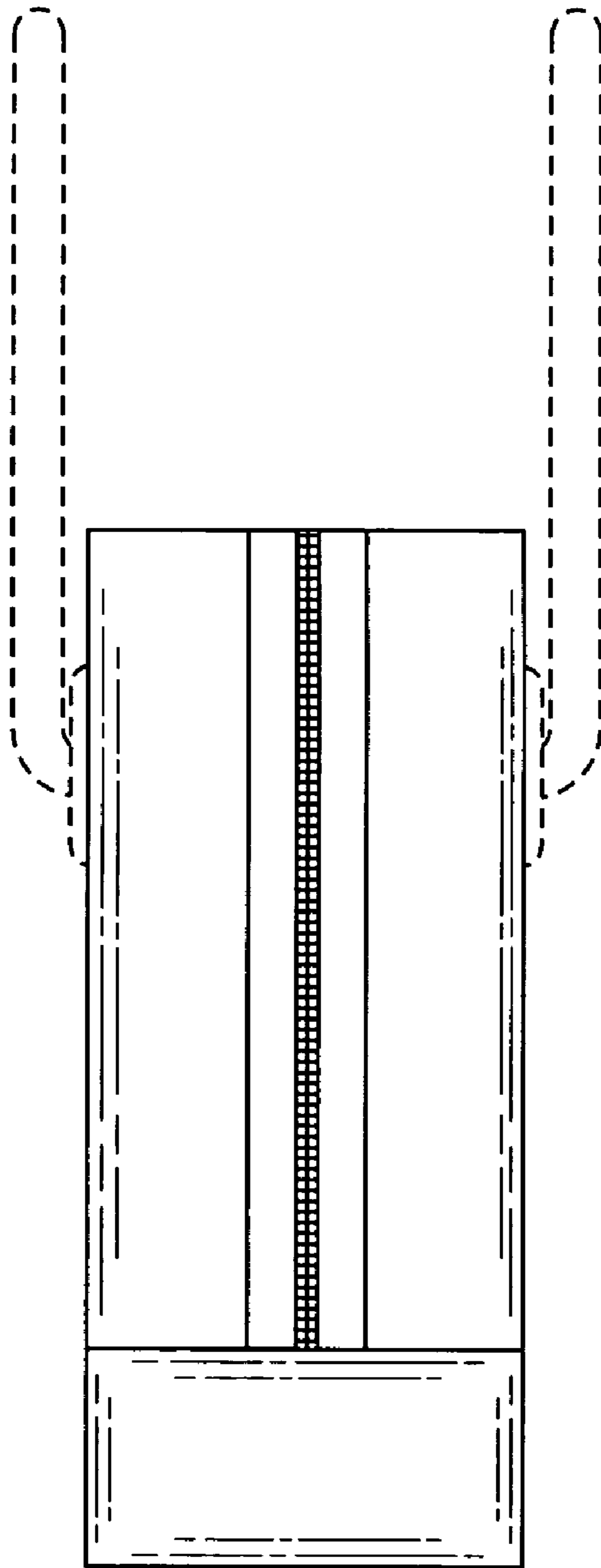


FIG. 5

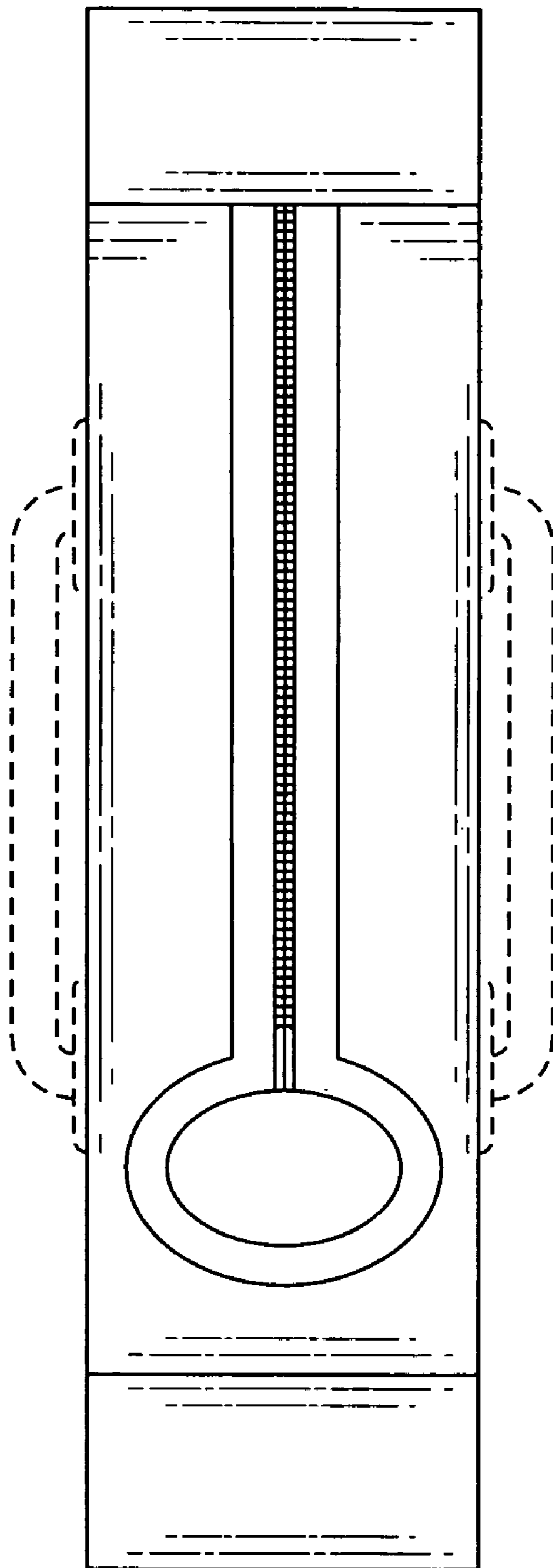


FIG. 6

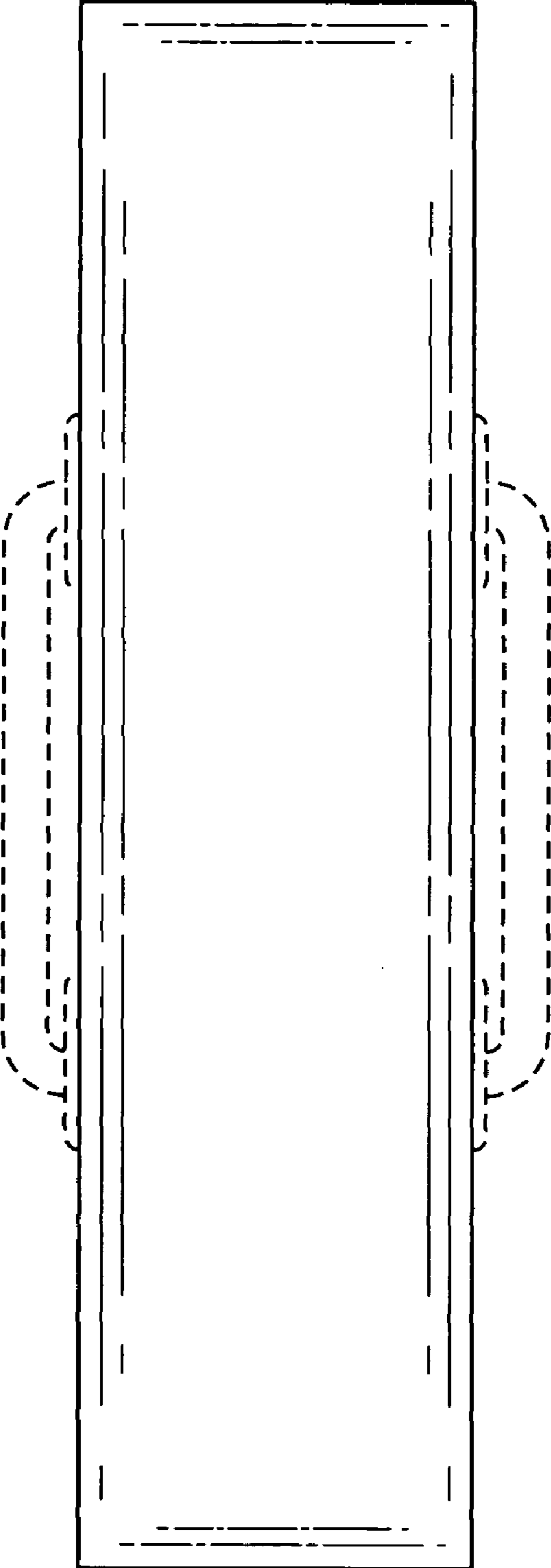


FIG. 7