



US00D632478S

(12) **United States Design Patent**
van der Lande

(10) **Patent No.:** **US D632,478 S**

(45) **Date of Patent:** **** Feb. 15, 2011**

(54) **SPACE GUN KEY CHAIN**

D389,884 S * 1/1998 Luk D21/574
D405,952 S * 2/1999 de Groot D3/208

(75) Inventor: **Jan van der Lande**, New York, NY (US)

* cited by examiner

(73) Assignee: **Kikkerland Design, Inc.**, New York, NY (US)

Primary Examiner—Ralf Seifert

(74) *Attorney, Agent, or Firm*—Coscio & Zervas

(**) Term: **14 Years**

(57) **CLAIM**

(21) Appl. No.: **29/369,043**

The ornamental design for a space gun key chain, as shown and described.

(22) Filed: **Sep. 1, 2010**

(51) **LOC (9) Cl.** **03-01**

(52) **U.S. Cl.** **D3/211**

(58) **Field of Classification Search** D11/1-2,
D11/14, 26-29, 89-92, 44, 48, 81, 99; 63/26-28,
63/32; D3/207-212; D8/38; 70/456 B;
206/37.1; D21/572-575

See application file for complete search history.

DESCRIPTION

FIG. 1 is a front elevational view of the space gun key chain showing my design;

FIG. 2 is a rear elevational view thereof;

FIG. 3 is a top plan view thereof;

FIG. 4 is a bottom plan view thereof;

FIG. 5 is a left side elevational view thereof;

FIG. 6 is a right side elevational view thereof; and,

FIG. 7 is a front perspective view thereof.

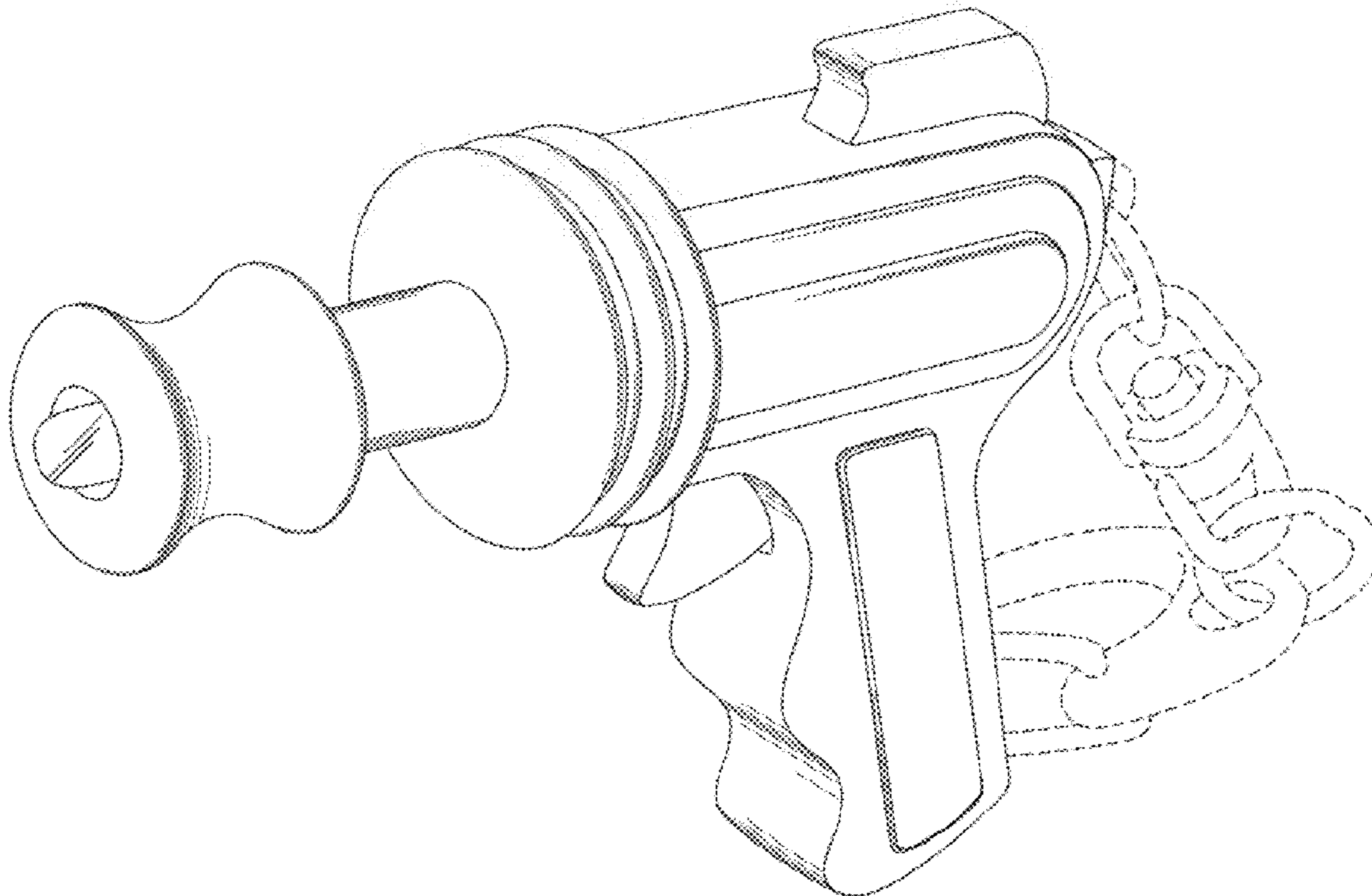
The broken line in FIG. 7 showing a key chain is for illustration purposes only and forms no part of the claimed design.

(56) **References Cited**

U.S. PATENT DOCUMENTS

D162,662 S * 3/1951 Ippolito D21/574
D168,909 S * 2/1953 Rastetter D21/574
D285,467 S * 9/1986 George et al. D21/574
D338,508 S * 8/1993 Kuo D21/575

1 Claim, 4 Drawing Sheets



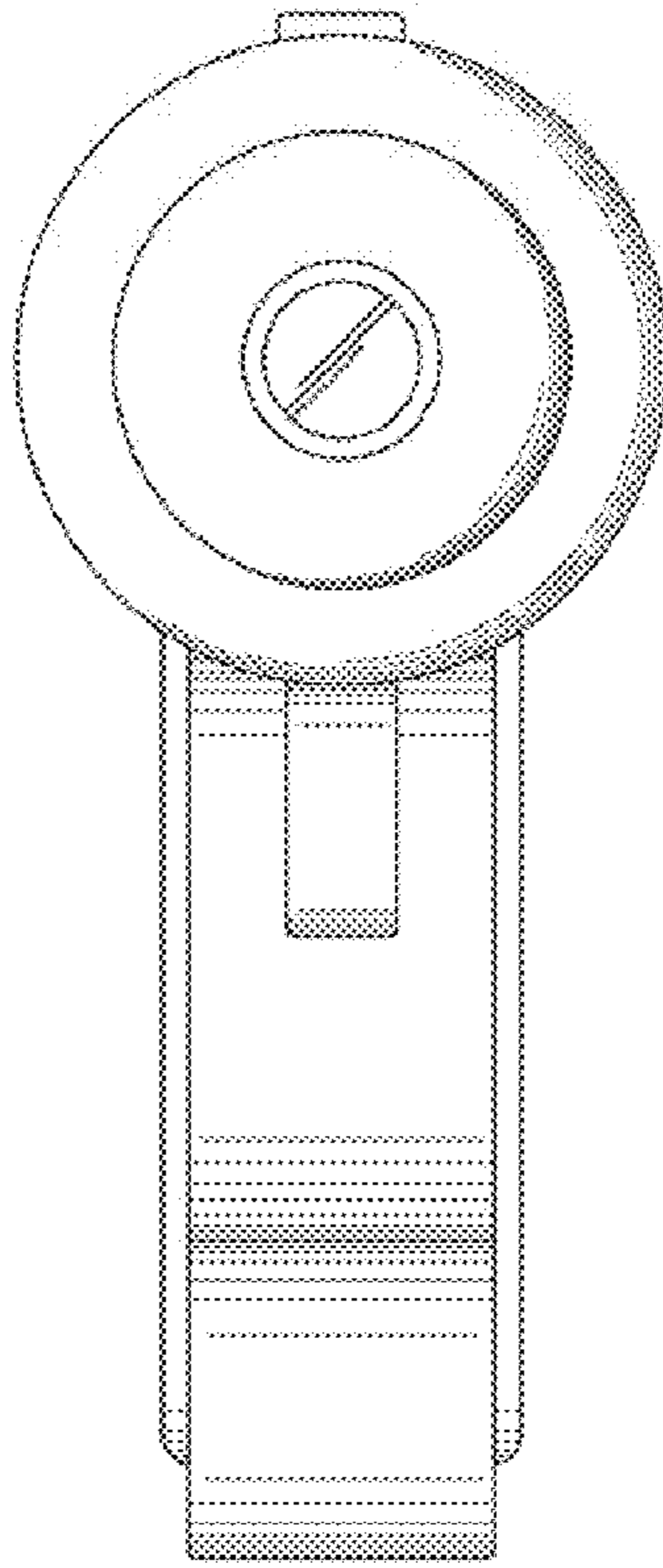


FIG. 1

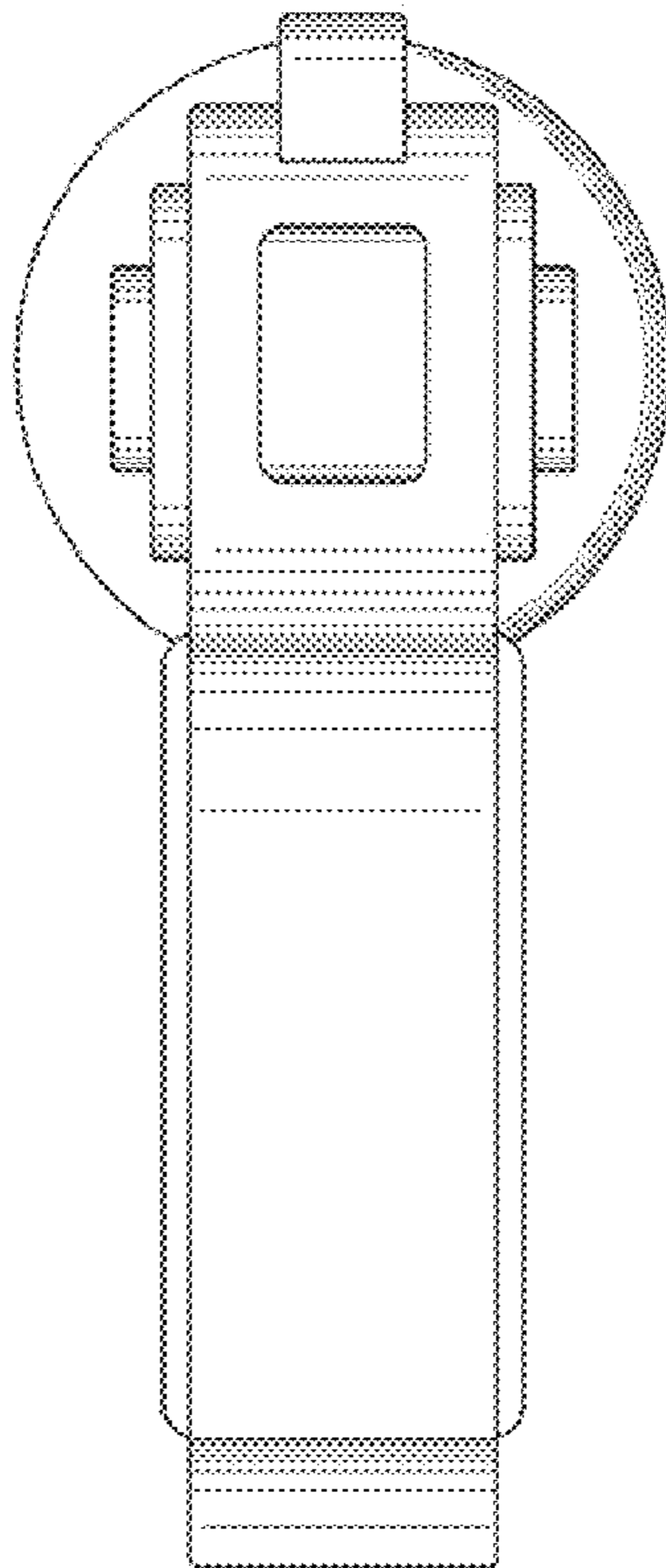


FIG. 2

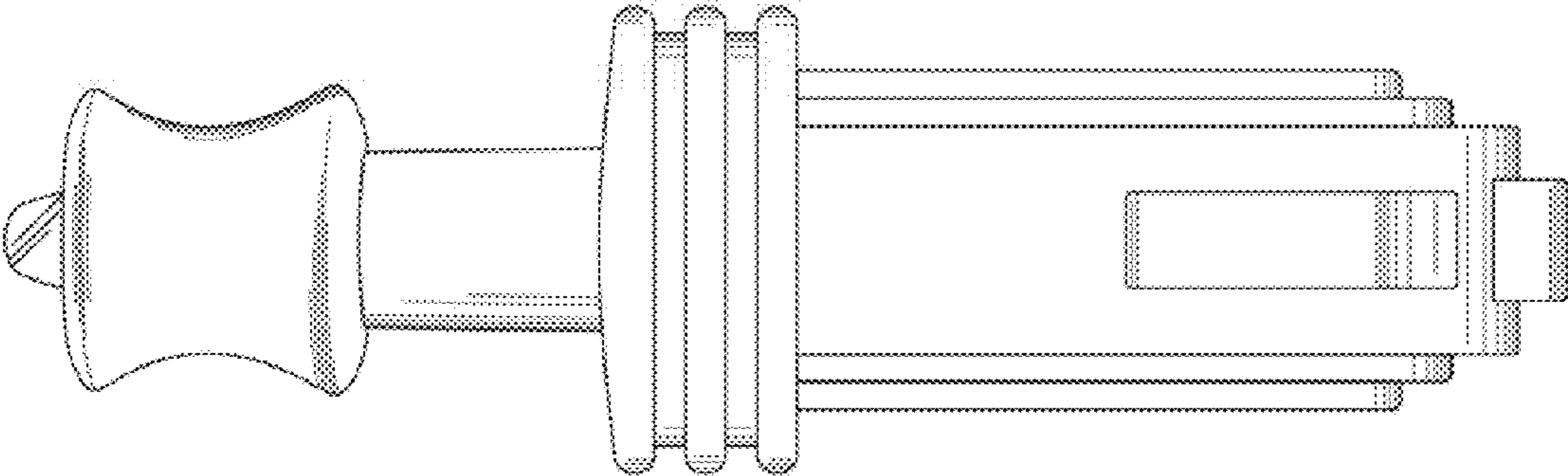


FIG. 3

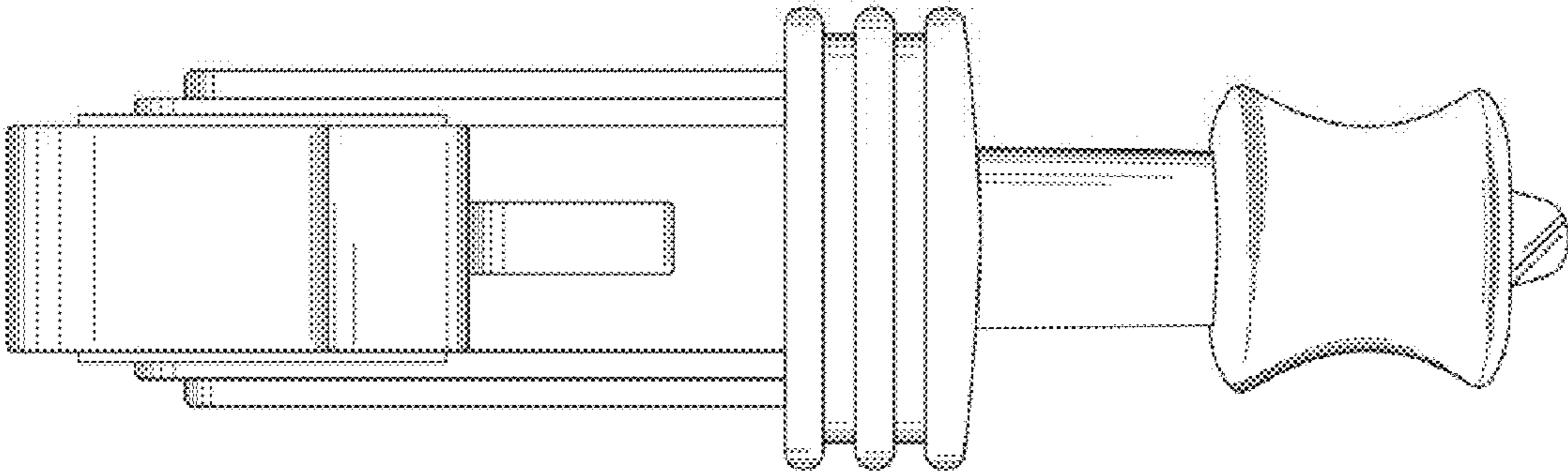


FIG. 4

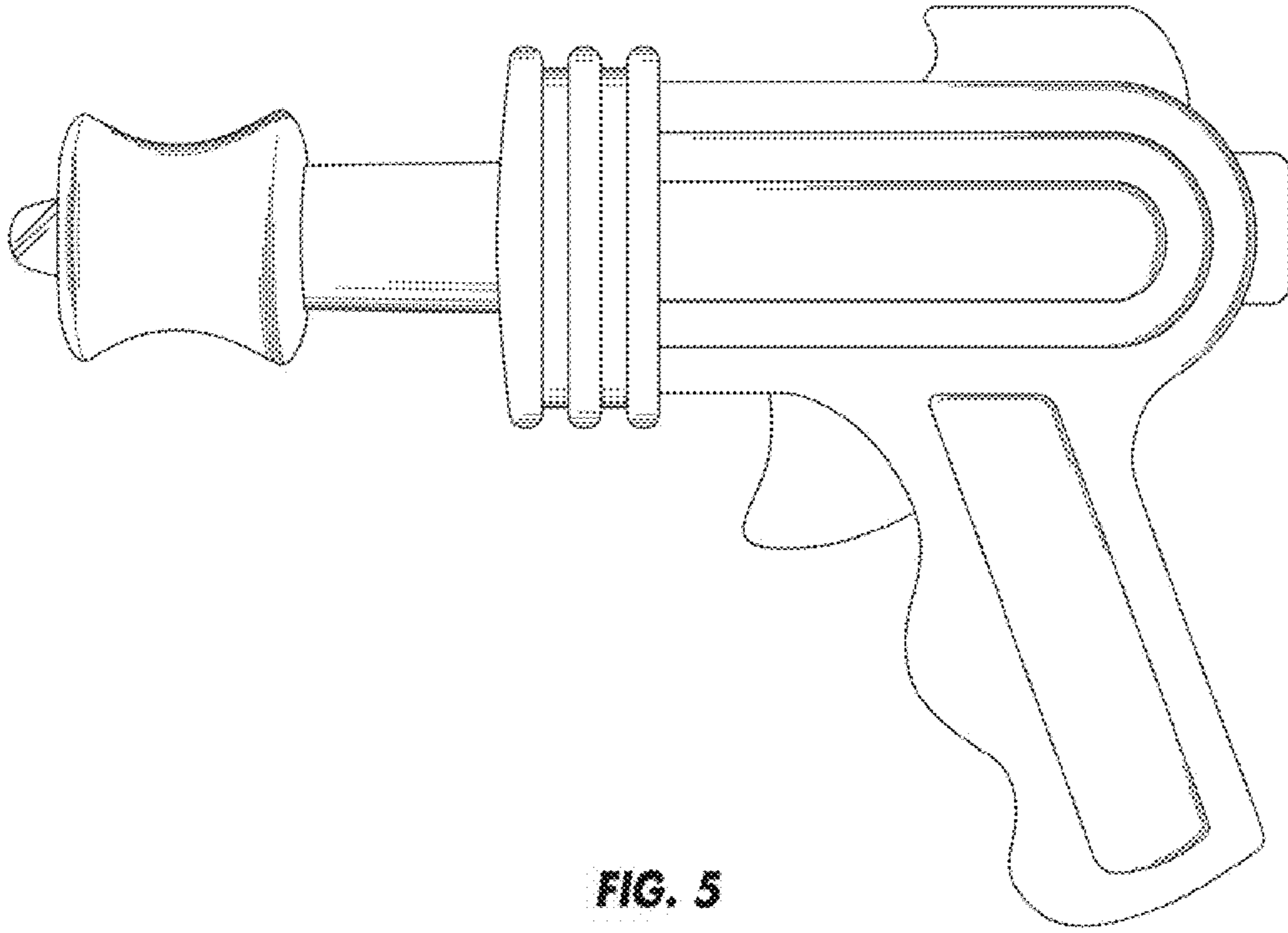


FIG. 5

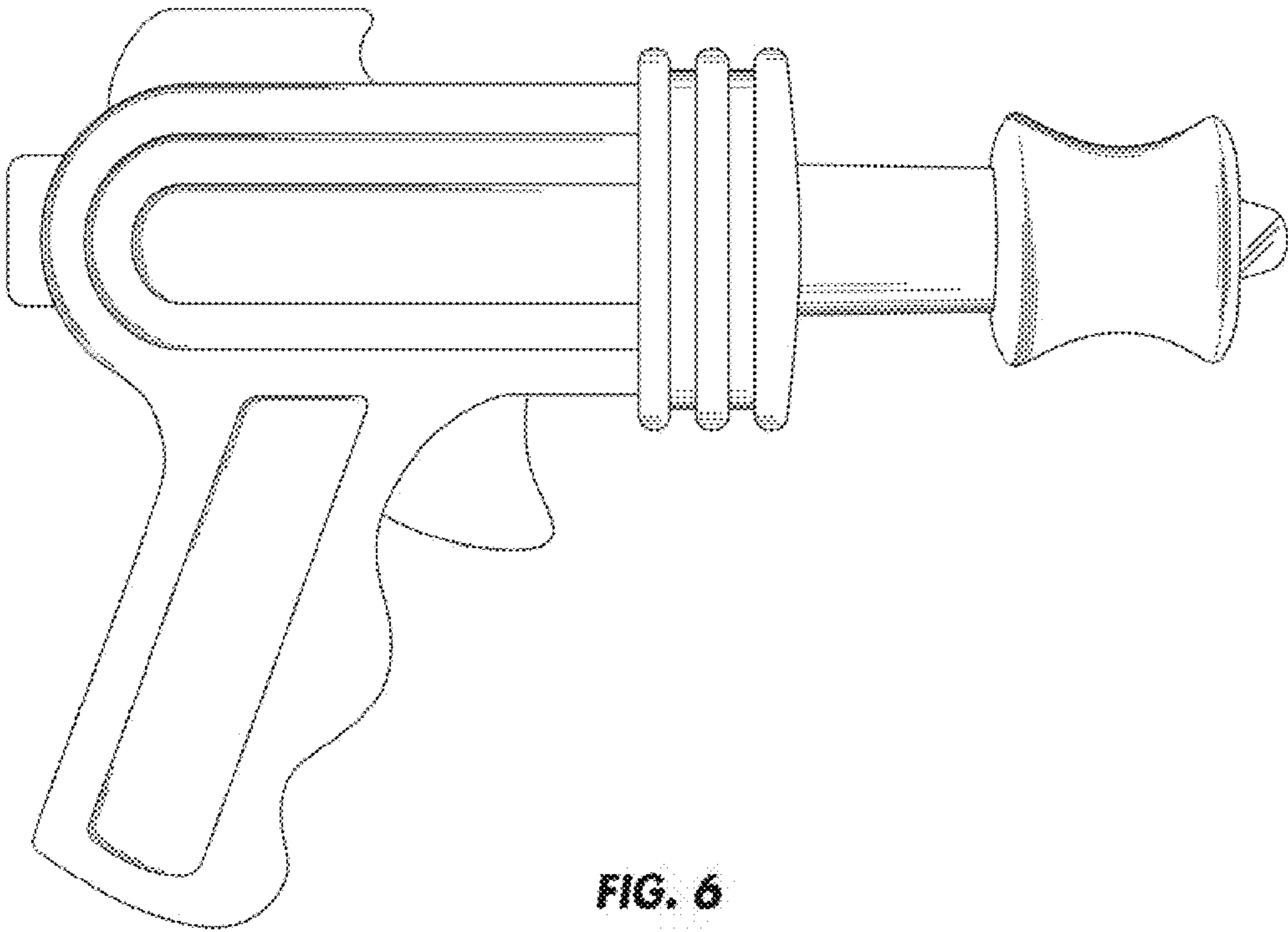


FIG. 6

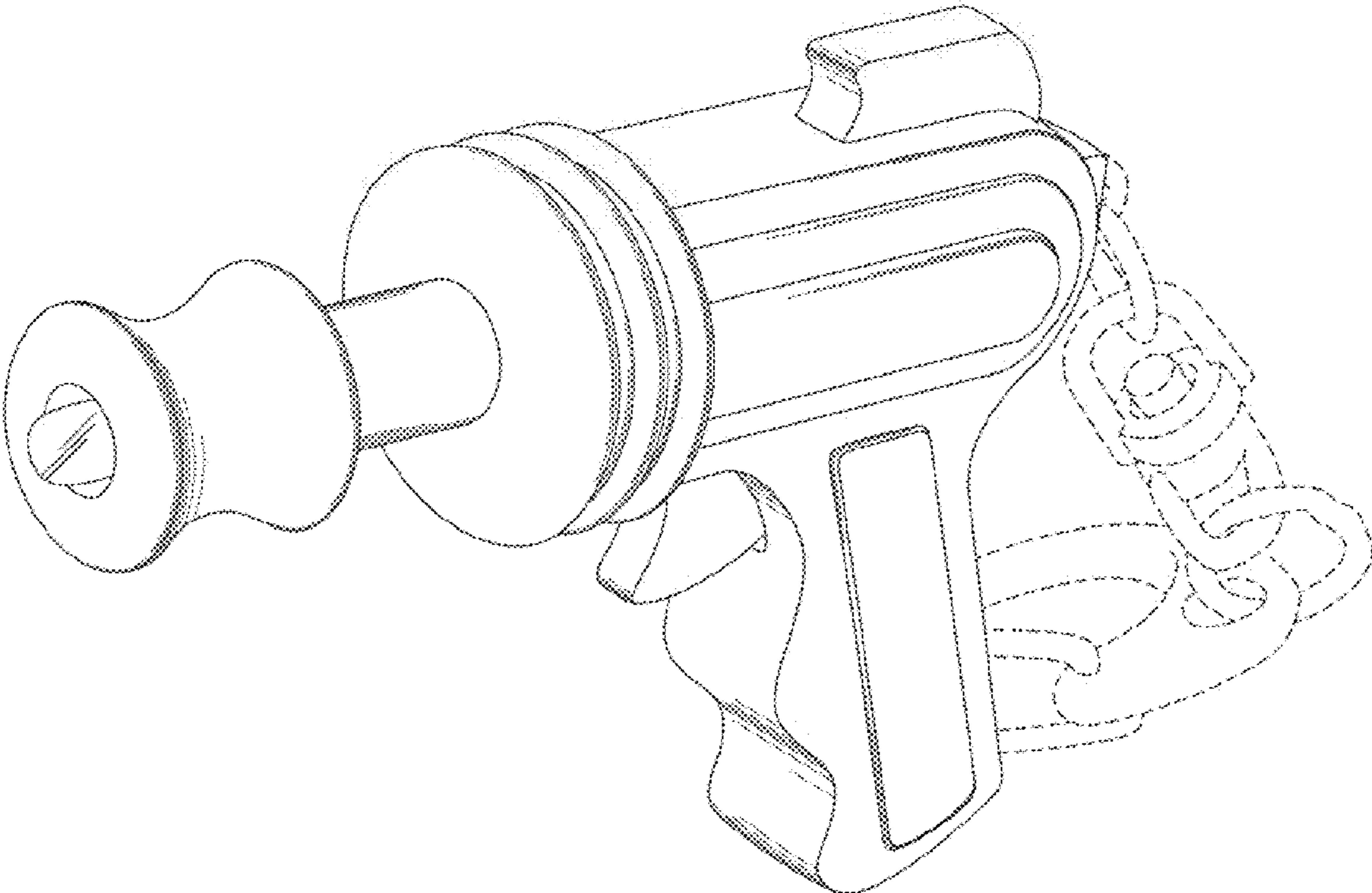


FIG. 7