



US00D632476S

(12) **United States Design Patent**  
**Owens et al.**

(10) **Patent No.:** **US D632,476 S**

(45) **Date of Patent:** **\*\* Feb. 15, 2011**

(54) **STAND-UP CANE TIP**

(75) Inventors: **G. Parkinson Owens**, North Barrington, IL (US); **Michael R. Jaron**, Chicago, IL (US); **Timothy R. Swiss**, Pasadena, CA (US)

(73) Assignee: **Juvo Products, LLC**, Barrington, IL (US)

(\*\*) Term: **14 Years**

(21) Appl. No.: **29/365,070**

(22) Filed: **Jul. 2, 2010**

(51) **LOC (9) Cl.** ..... **03-03**

(52) **U.S. Cl.** ..... **D3/17**

(58) **Field of Classification Search** ..... D3/5-17;  
D12/128, 130, 131, 133; D6/495; 135/16,  
135/17, 65, 66, 68, 71-73, 76, 77, 82; 248/519,  
248/523, 539

See application file for complete search history.

(56) **References Cited**

**U.S. PATENT DOCUMENTS**

D11,054 S *	3/1879	Blake	.....	D3/17
1,369,580 A *	2/1921	Uchytel	.....	135/86
D107,326 S	12/1937	Talamantes		
2,453,742 A	11/1948	Bowen et al.		
3,163,437 A	12/1964	Phillipson		
3,289,685 A	12/1966	Parker		
4,947,882 A	8/1990	Levasseur		
5,392,801 A	2/1995	Hannoosh et al.		
D359,162 S *	6/1995	Knight	.....	D3/17
5,713,382 A *	2/1998	Midcap	.....	135/84
D412,615 S *	8/1999	Brightbill et al.	.....	D3/17
5,992,434 A	11/1999	Berlin et al.		
6,131,593 A	10/2000	Greene et al.		
D511,889 S *	11/2005	Cockrell	.....	D3/17
6,964,634 B2 *	11/2005	Wojtkiewicz et al.	.....	482/77

D570,094 S *	6/2008	Wainwright	.....	D3/17
D576,402 S	9/2008	White		
D587,003 S *	2/2009	Shinohara	.....	D3/17
D587,894 S *	3/2009	Wainwright	.....	D3/10
2007/0175503 A1	8/2007	Gordon		

**FOREIGN PATENT DOCUMENTS**

WO WO9935930 7/1999

\* cited by examiner

*Primary Examiner*—Celia A Murphy

*Assistant Examiner*—John Windmuller

(74) *Attorney, Agent, or Firm*—Fitch, Even, Tabin & Flannery

(57) **CLAIM**

We claim the ornamental design for a stand-up cane tip, as shown and described.

**DESCRIPTION**

FIG. 1 is a perspective view of a stand-up cane tip (also known as a no-tip foot or cane anchor) in accordance with our new design, the broken lines of the stand-up cane tip are for illustrative purposes only and form no part of the claimed design;

FIG. 2 is a front elevation view of the stand-up cane tip of FIG. 1;

FIG. 3 is a rear elevation view of the stand-up cane tip of FIG. 1;

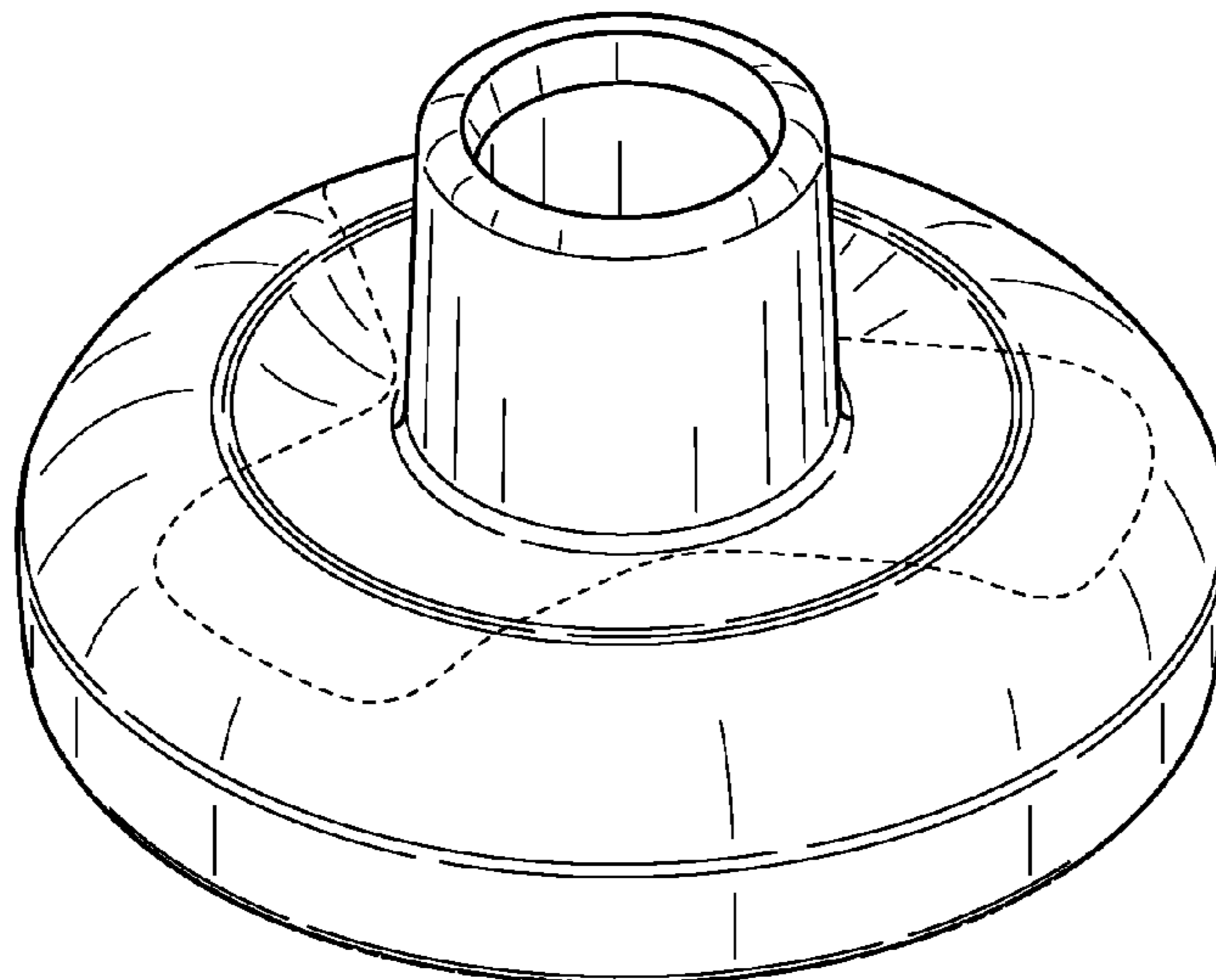
FIG. 4 is a left side elevation view of the stand-up cane tip of FIG. 1;

FIG. 5 is a right side elevational view of the stand-up cane tip of FIG. 1;

FIG. 6 is a top view of the stand-up cane tip of FIG. 1; and,

FIG. 7 is a bottom view of the stand-up cane tip of FIG. 1.

**1 Claim, 3 Drawing Sheets**



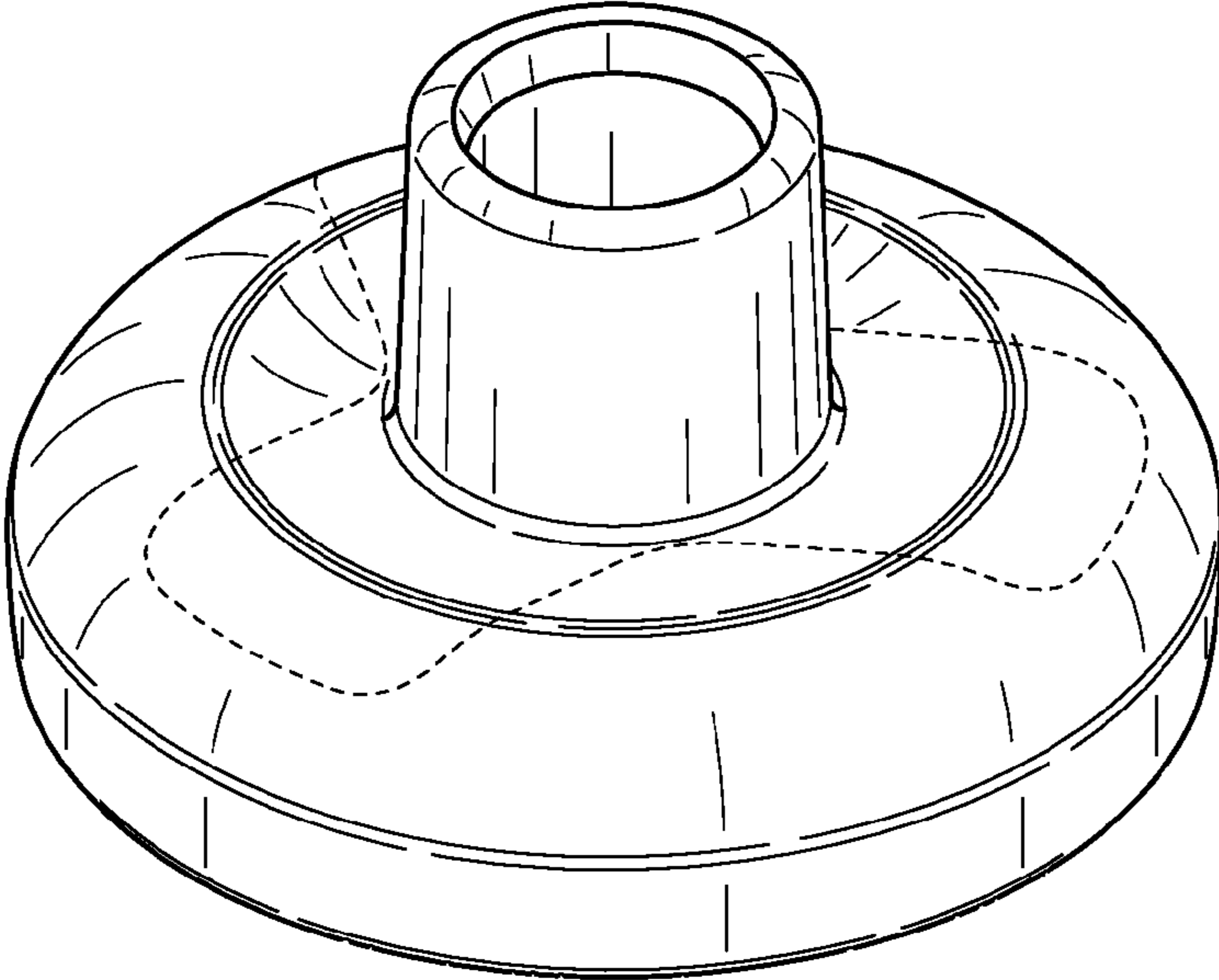


FIG. 1

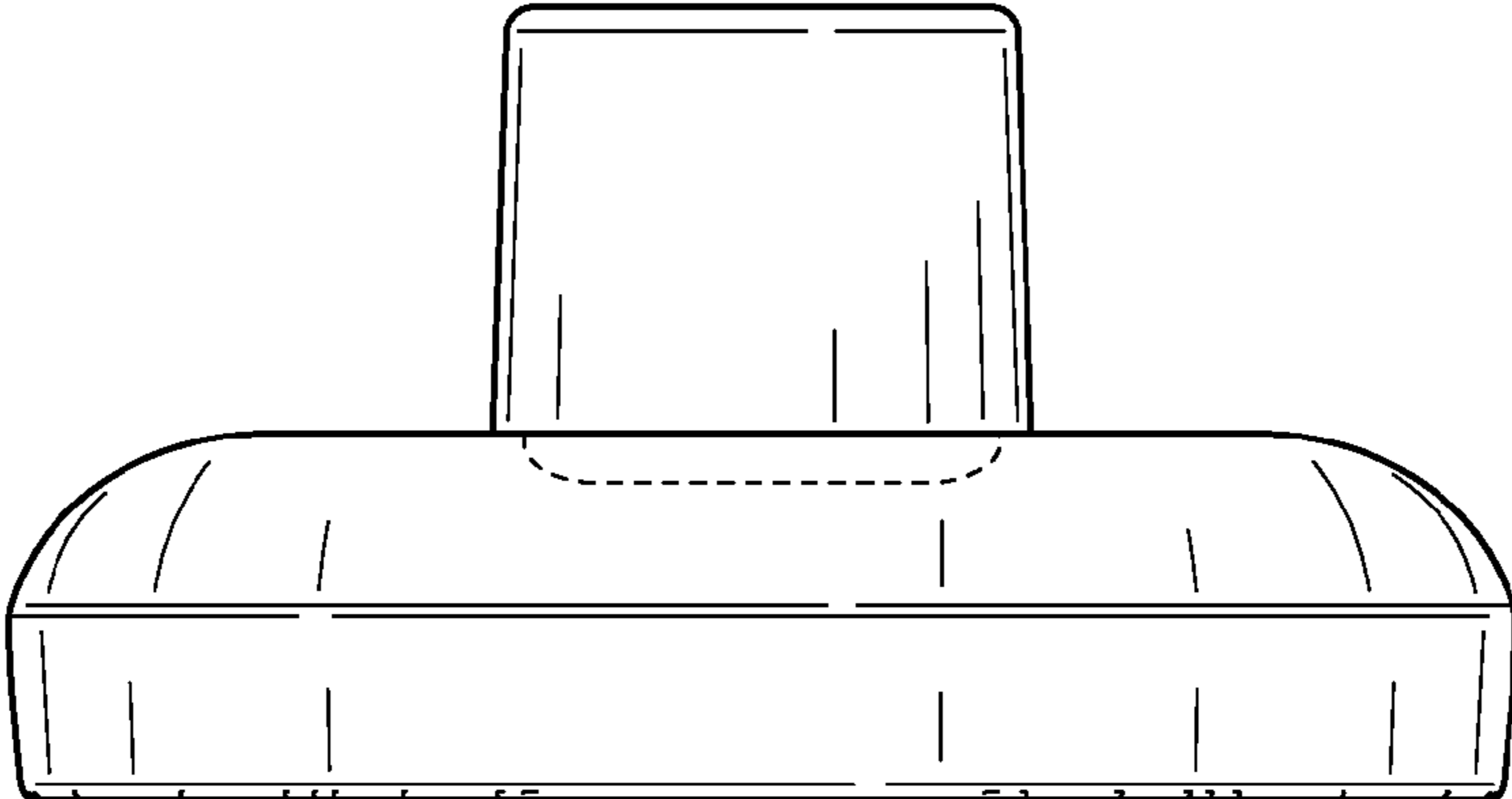


FIG. 2

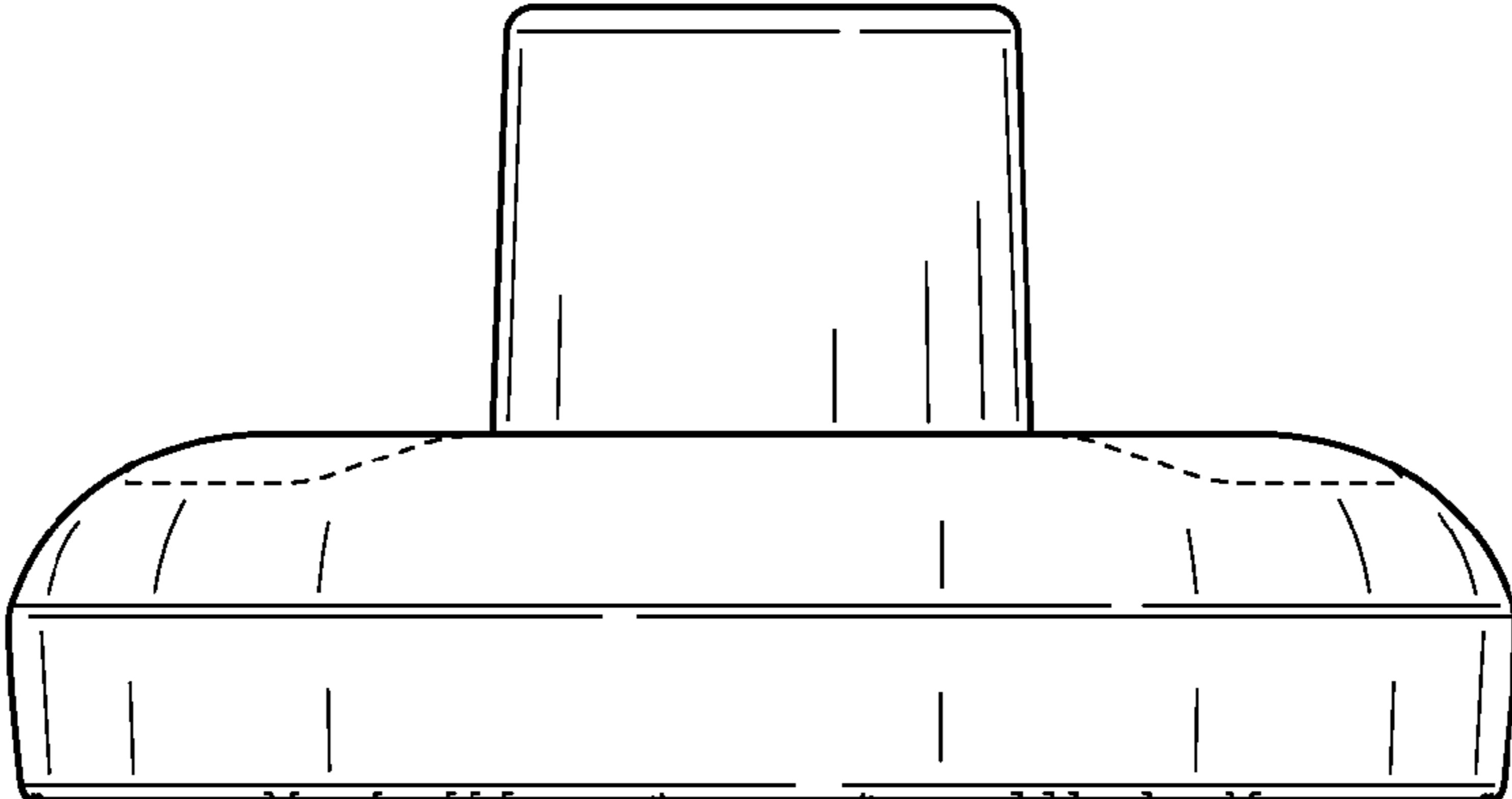


FIG. 3

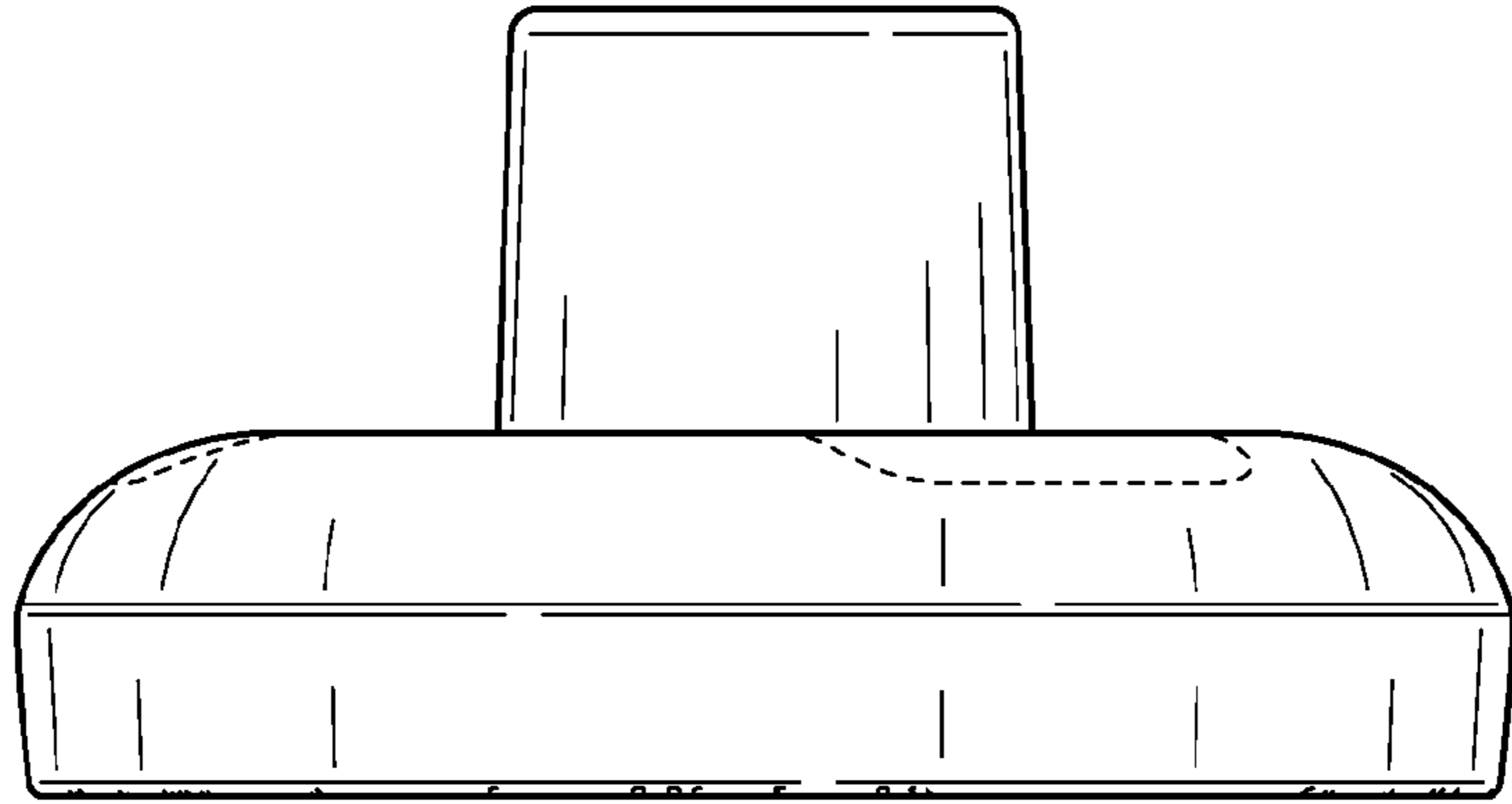


FIG. 4

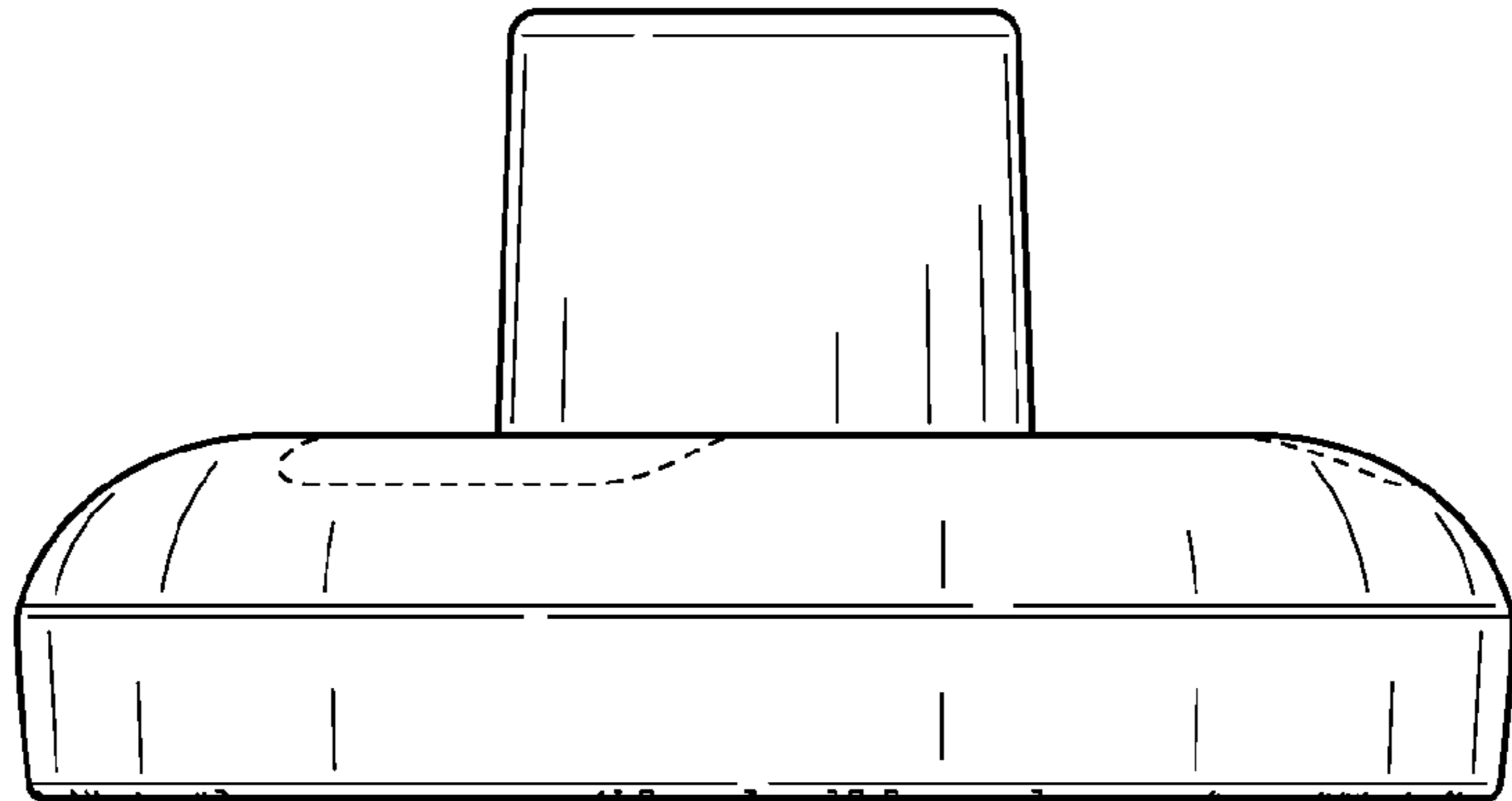


FIG. 5

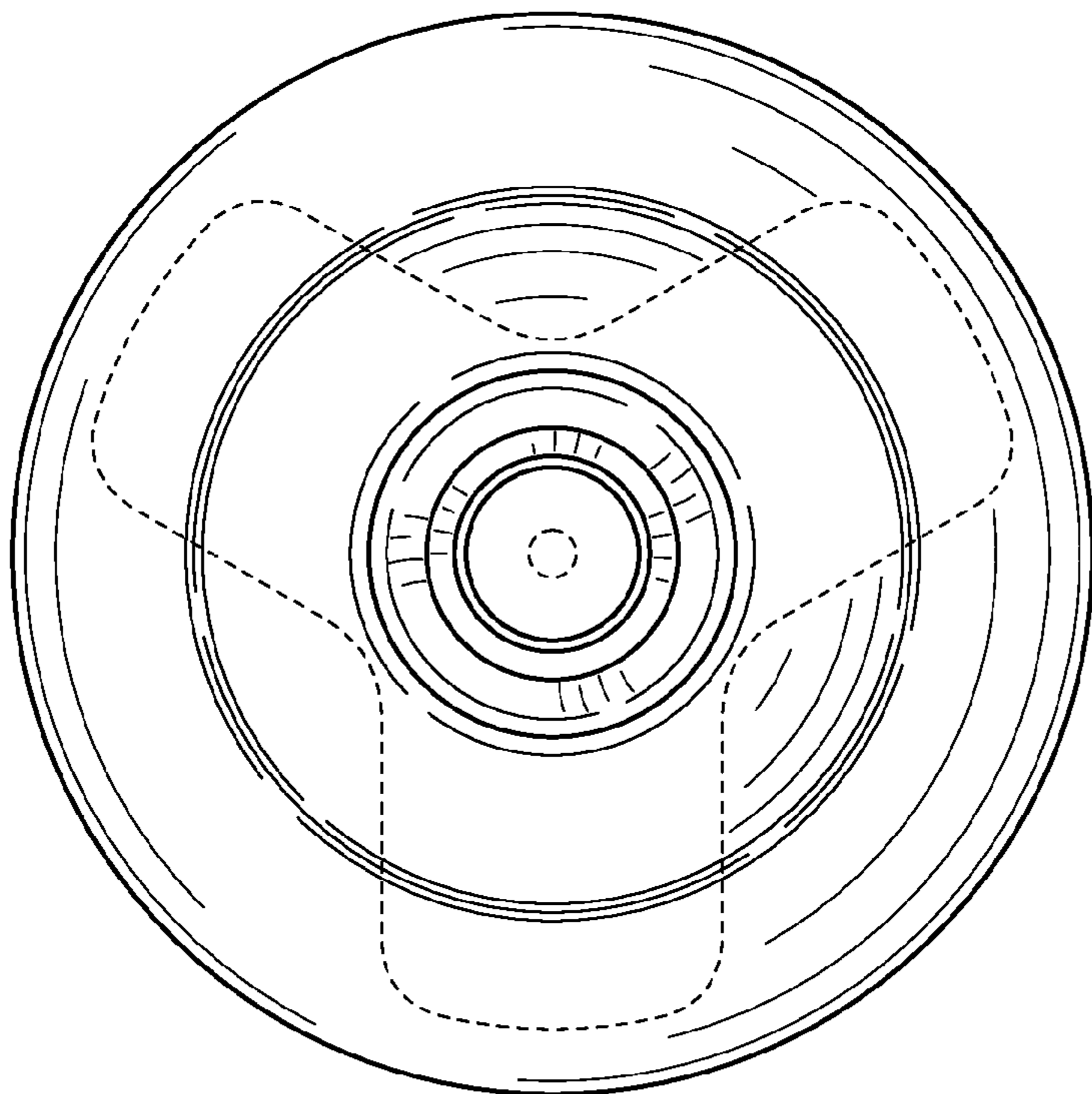


FIG. 6

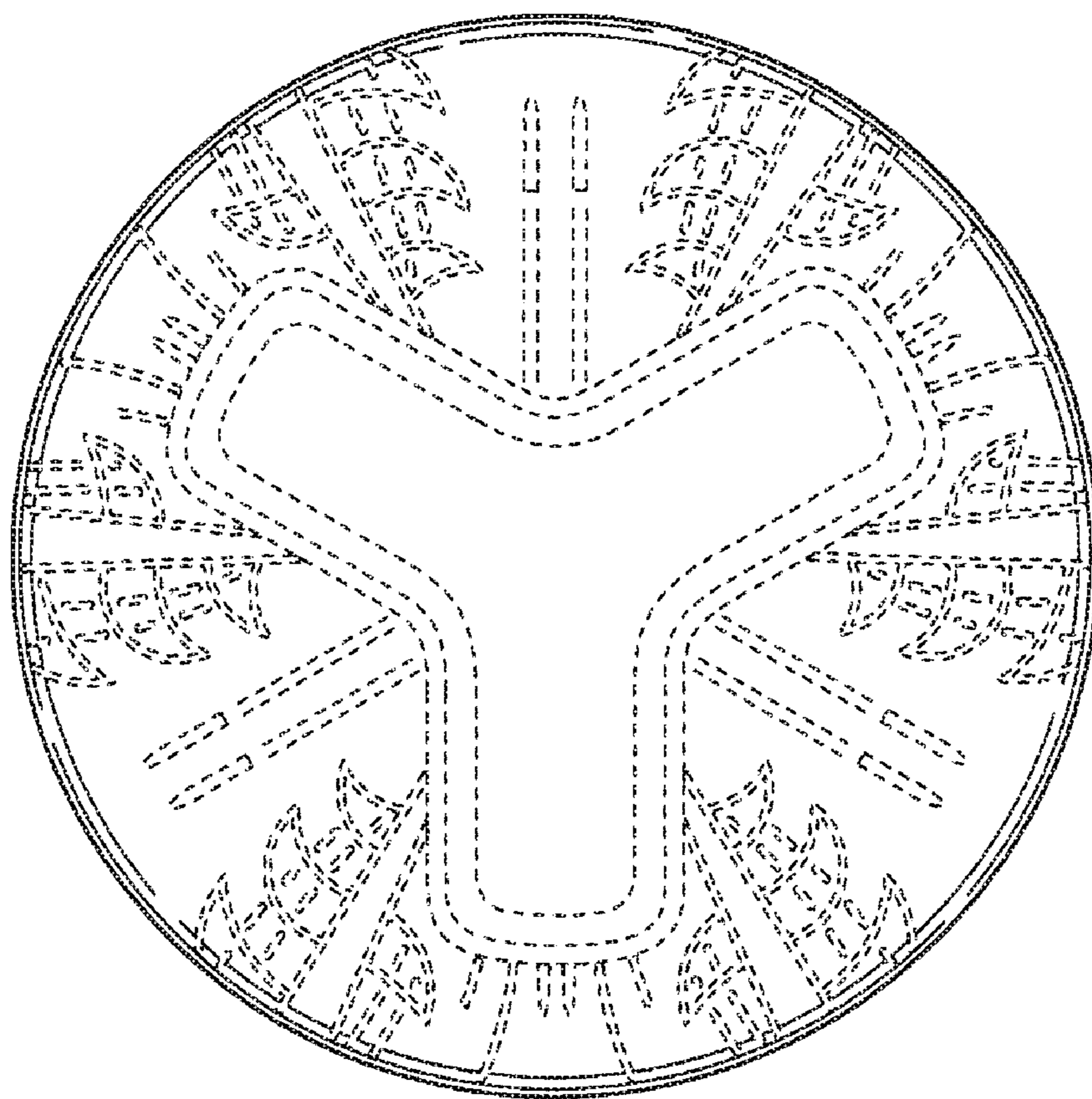


FIG. 7