



US00D632463S

(12) **United States Design Patent**  
**Brown et al.**

(10) **Patent No.:** **US D632,463 S**  
(45) **Date of Patent:** **\*\* Feb. 15, 2011**

- (54) **HIGH HEEL ACCESSORY**
- (75) Inventors: **Rebecca P. Brown**, New York, NY (US);  
**Monica F. Murphy**, Old Greenwich, CT (US)
- (73) Assignee: **Solemates, LLC**, Old Greenwich, CT (US)
- (\*\*) Term: **14 Years**
- (21) Appl. No.: **29/339,035**
- (22) Filed: **Jun. 23, 2009**
- (51) **LOC (9) Cl.** ..... **02-99**
- (52) **U.S. Cl.** ..... **D2/915; D2/946; D2/965; 36/72 B**
- (58) **Field of Classification Search** ..... D2/915, D2/946, 965; 36/72 B, 72 R, 136  
See application file for complete search history.

- D346,060 S \* 4/1994 Martinez ..... D2/915
- D359,156 S \* 6/1995 Cross ..... D2/915
- D367,157 S \* 2/1996 Gage, Sr. .... D2/915
- D495,854 S \* 9/2004 Francis ..... D2/915
- D572,881 S \* 7/2008 Ringholz ..... D2/915
- 2007/0163149 A1 7/2007 Urbach et al.

\* cited by examiner

*Primary Examiner*—Dominic Simone  
(74) *Attorney, Agent, or Firm*—St. Onge Steward Johnston & Reens LLC

(57) **CLAIM**

The ornamental design for a high heel accessory, as shown and described.

**DESCRIPTION**

FIG. 1 is a perspective view from above of the high heel accessory;  
 FIG. 2 is a back elevational view thereof;  
 FIG. 3 is a front elevational view thereof;  
 FIG. 4 is a side elevational view thereof, the opposite side being a mirror image;  
 FIG. 5 is a top plan view thereof; and,  
 FIG. 6 is a bottom plan view thereof.

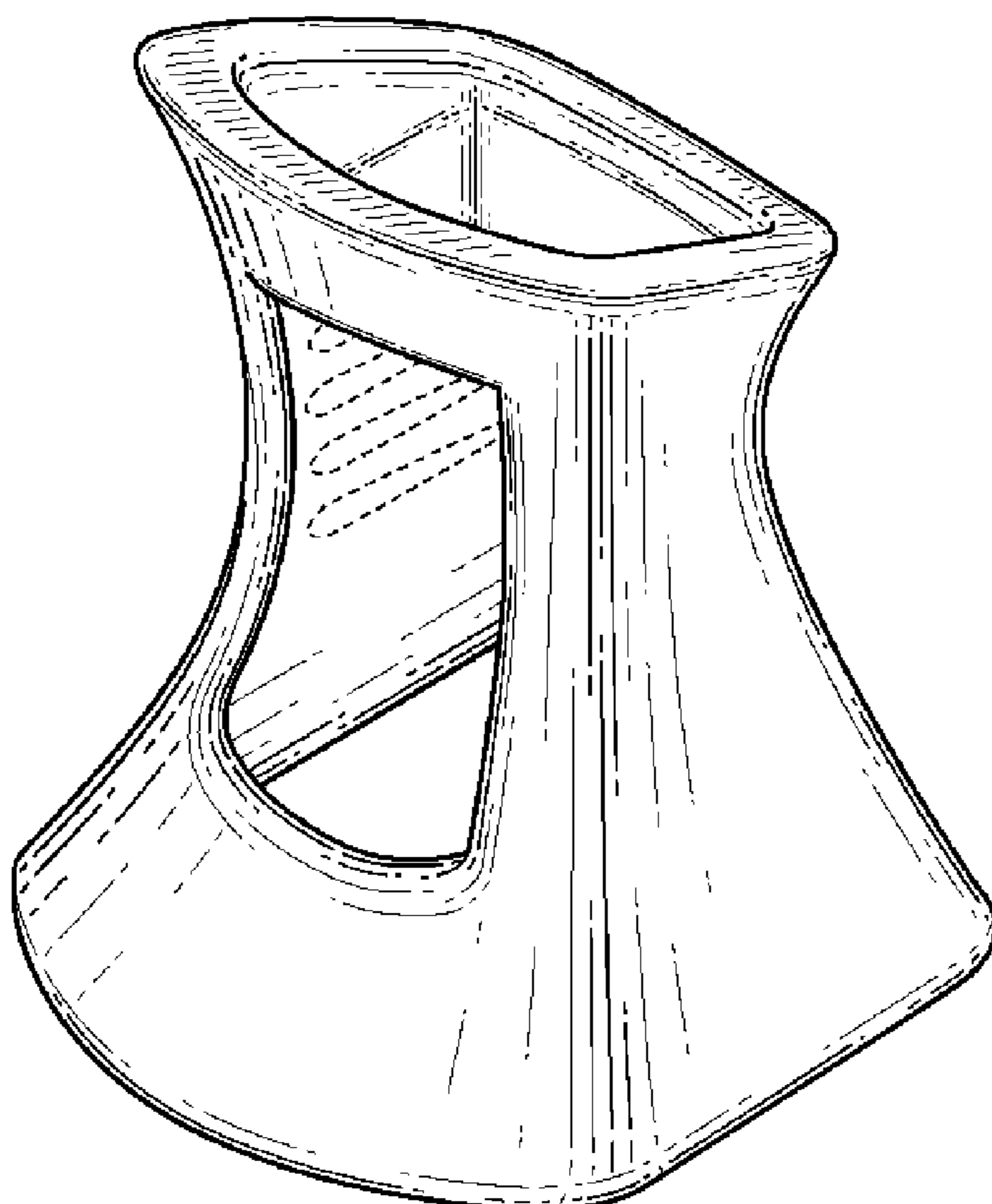
The features shown in broken lines in FIGS. 1, 5 and 6 form no part of the invention.

(56) **References Cited**

U.S. PATENT DOCUMENTS

- 1,261,525 A 4/1918 Helwitz
- 1,263,555 A 4/1918 Helwitz
- 1,770,261 A \* 7/1930 Barthes ..... 36/72 B
- 1,875,806 A 9/1932 Givens
- 2,875,534 A 3/1959 Grossman
- 3,439,435 A 4/1969 Fredon
- D293,042 S \* 12/1987 Martin ..... D2/915
- D299,883 S 2/1989 Steele

**1 Claim, 3 Drawing Sheets**



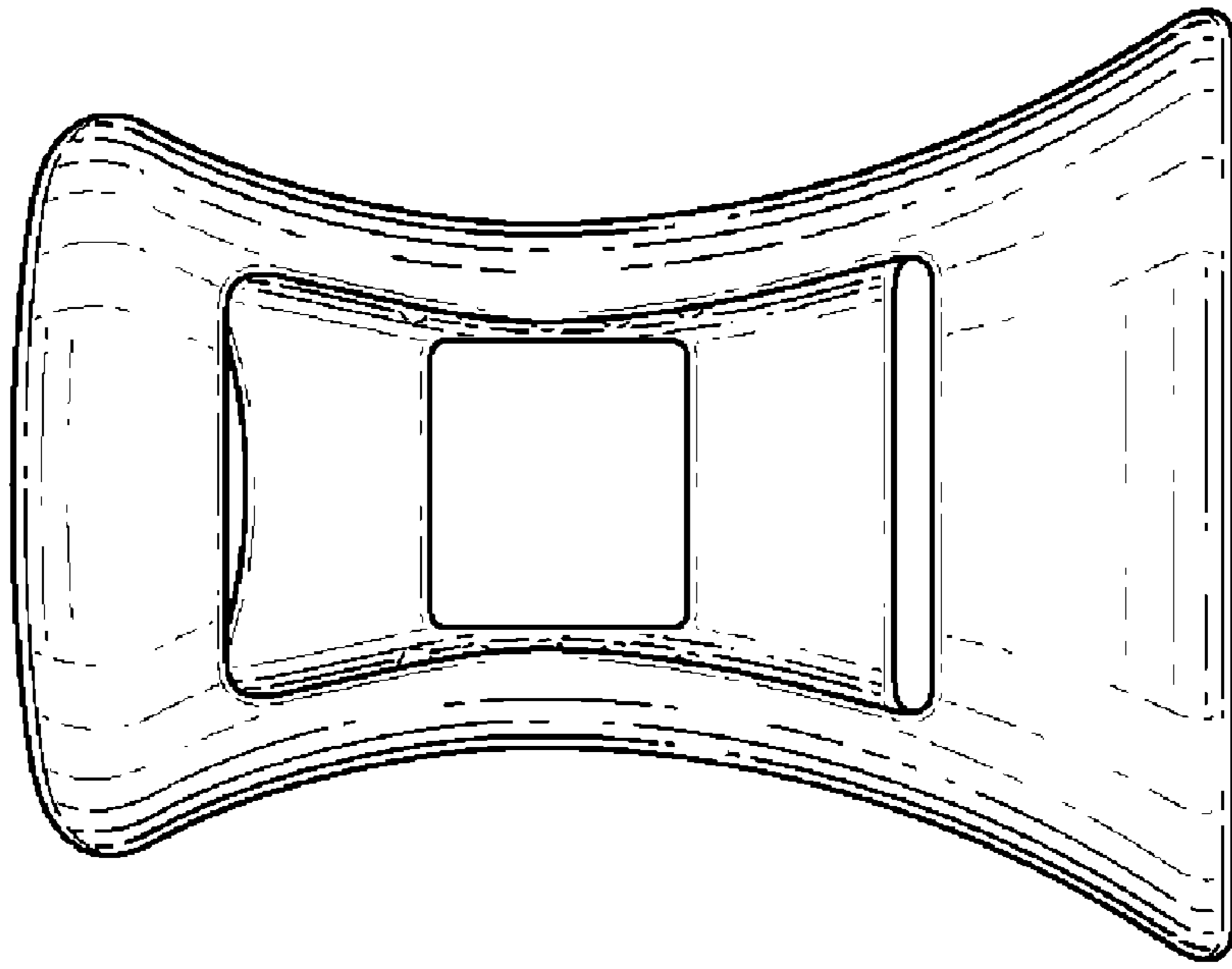


FIG. 2

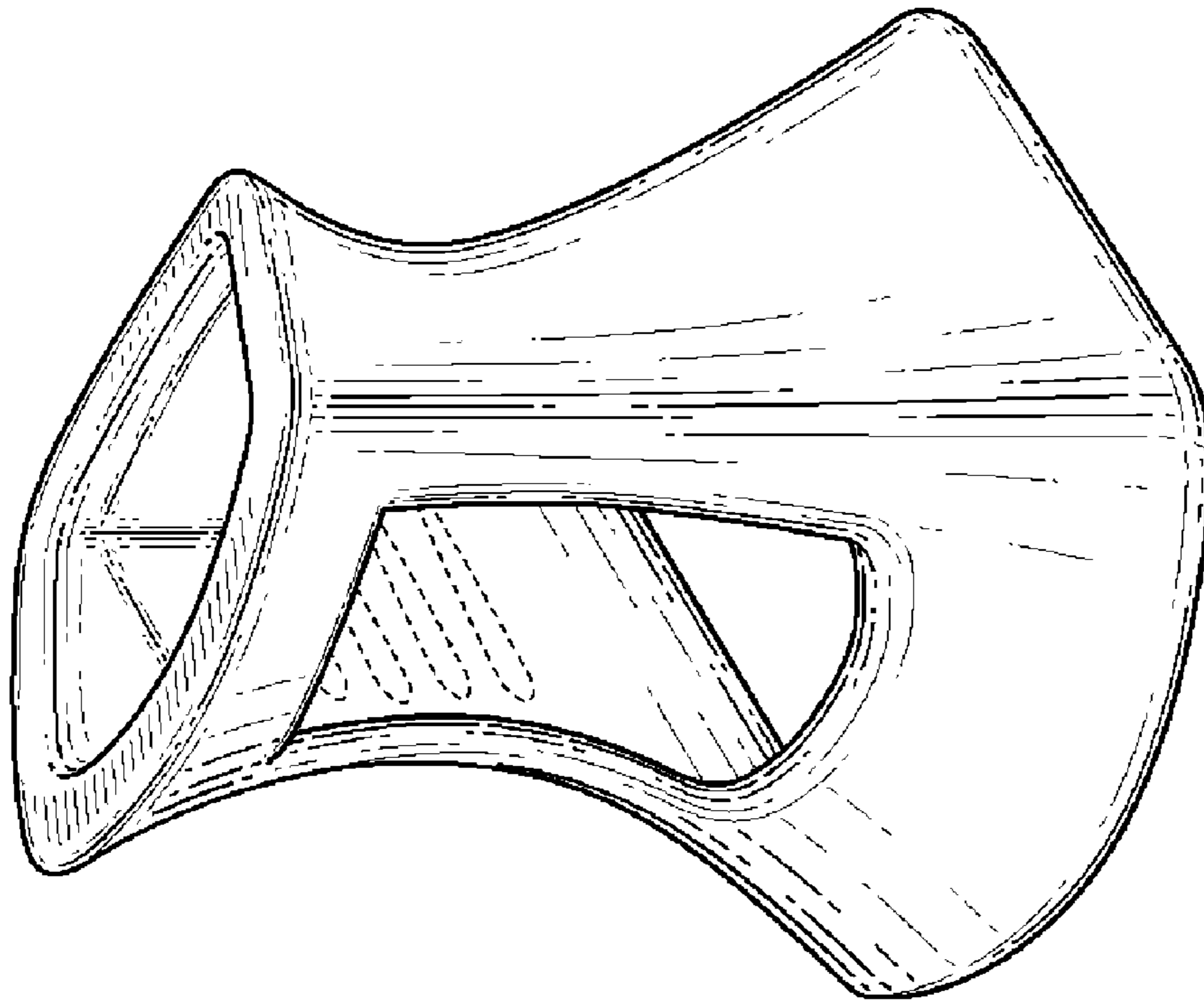


FIG. 1

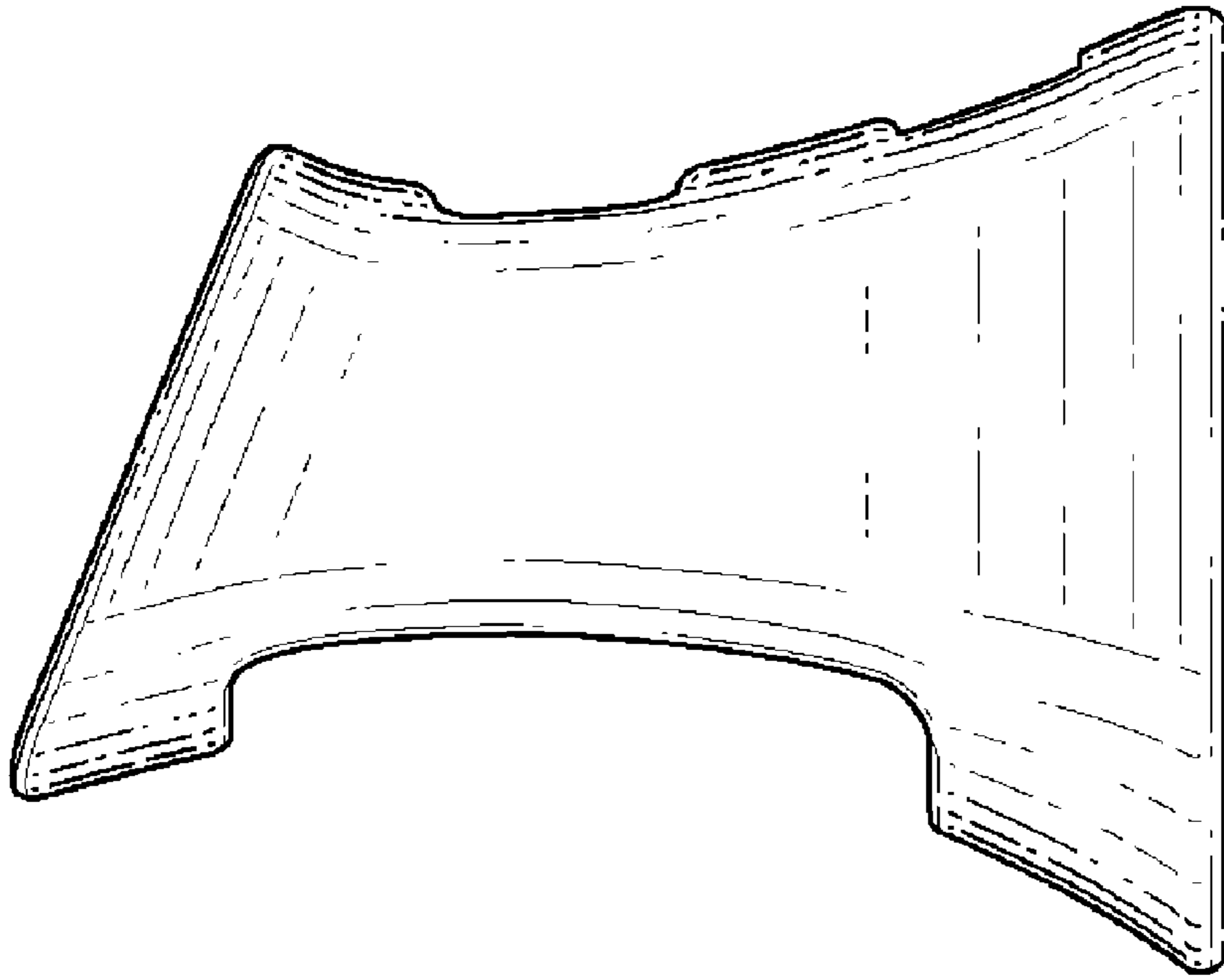


FIG. 4

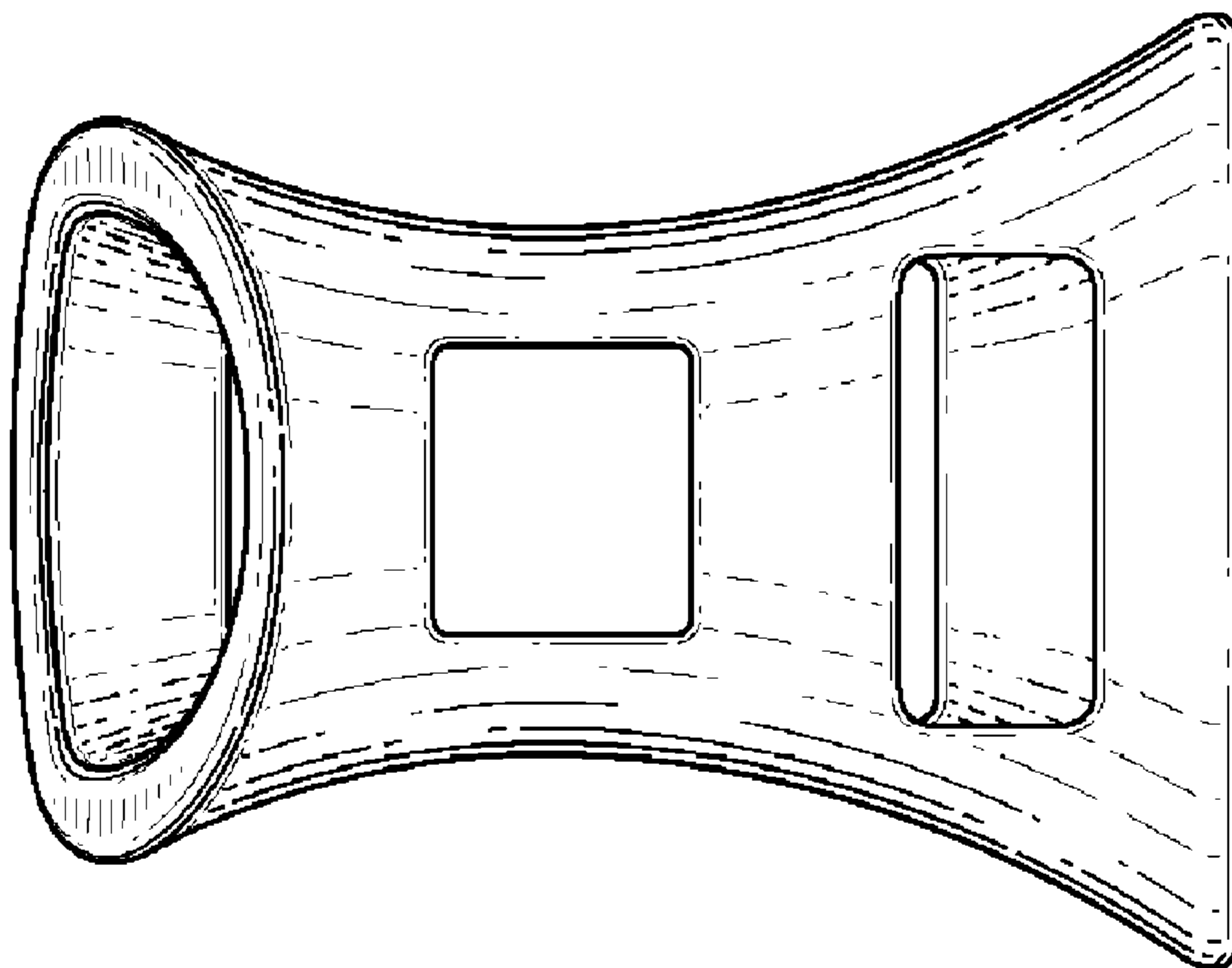


FIG. 3

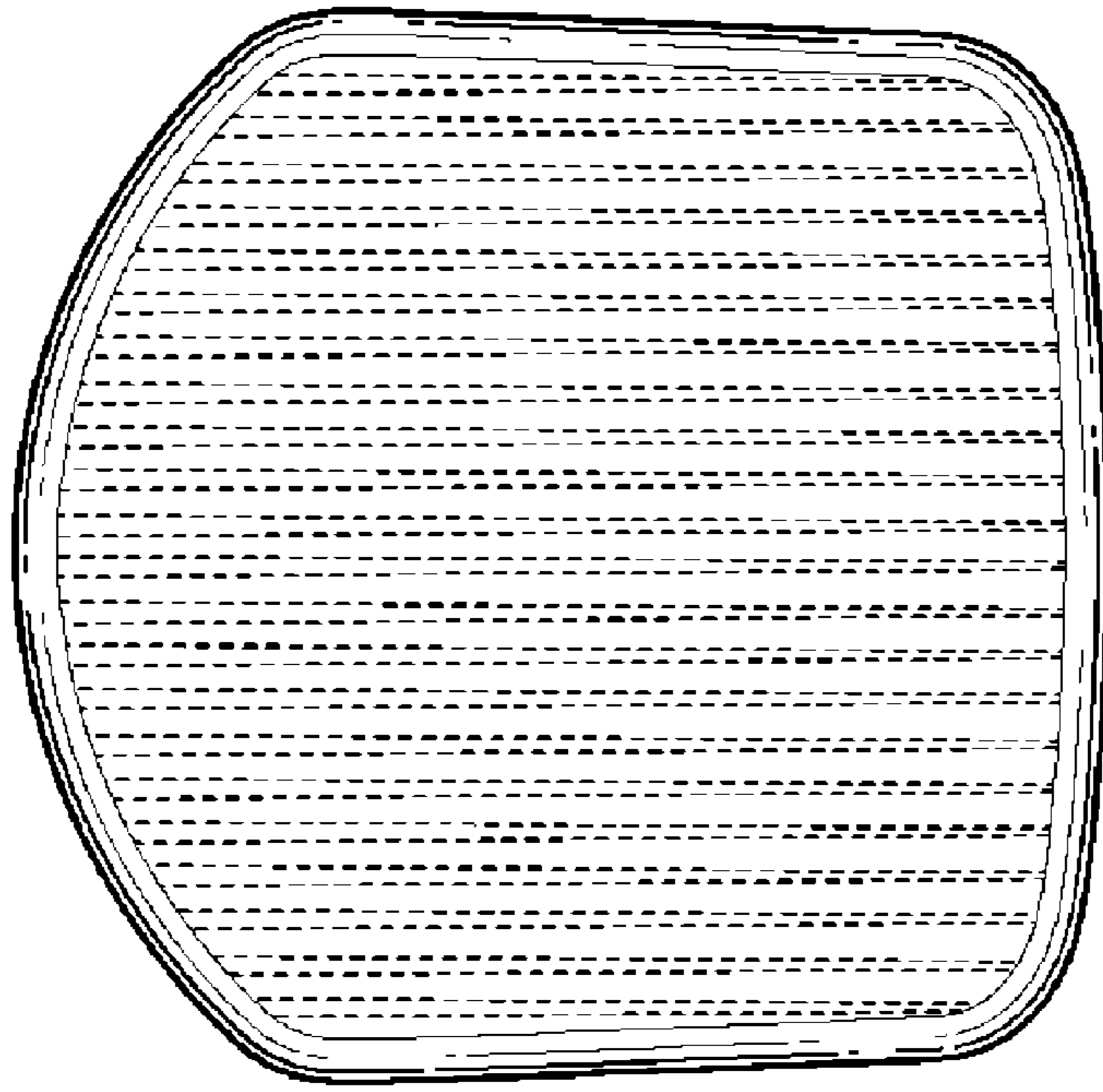


FIG. 6

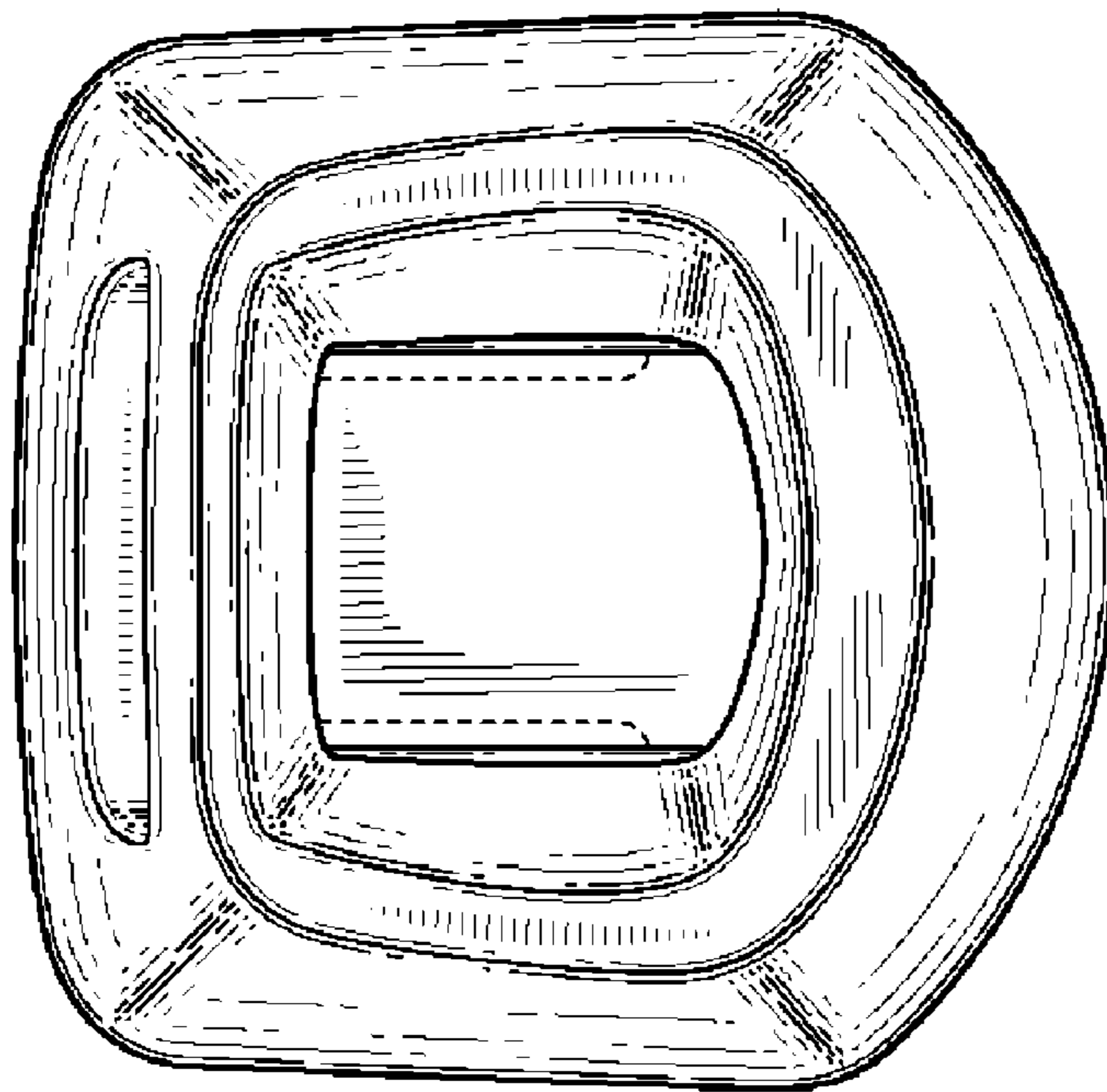


FIG. 5