



US00D632455S

(12) **United States Design Patent**
School

(10) **Patent No.:** **US D632,455 S**

(45) **Date of Patent:** **** Feb. 8, 2011**

(54) **DOG URN**

(75) Inventor: **Terry School**, Colorado Springs, CO
(US)

(73) Assignee: **The Davis Whitehall Co.**, Colorado
Springs, CO (US)

(**) Term: **14 Years**

(21) Appl. No.: **29/361,783**

(22) Filed: **May 14, 2010**

(51) **LOC (9) Cl.** **99-01**

(52) **U.S. Cl.** **D99/5**

(58) **Field of Classification Search** D99/1,
D99/3, 5, 21, 37; 27/1, 2, 3, 4, 5, 6, 7, 8;
D11/79, 82, 133; D30/155, 160; D1/106,
D1/120, 199; 119/28.5, 653, 655, 707, 709,
119/677; D24/101; D3/270, 271.1, 271.2;
D21/576; D19/97; D9/456; 446/8, 76; 206/457
See application file for complete search history.

(56) **References Cited**

U.S. PATENT DOCUMENTS

874,049 A * 12/1907 Borsch 359/503
1,590,824 A * 6/1926 Hill 27/8
2,003,958 A * 6/1935 Salisbury 119/709
D138,201 S * 7/1944 Newlon D99/1
D249,605 S * 9/1978 Skermetta D6/539

D305,950 S * 2/1990 Spiel et al. D1/106
D398,733 S * 9/1998 Diviak, Sr. D99/5
D415,870 S * 10/1999 Severson et al. D99/1
6,093,441 A * 7/2000 Axelrod 426/632
D540,181 S * 4/2007 Edwards D9/600
D576,358 S * 9/2008 Rutherford D30/160
D621,103 S * 8/2010 Kim D30/160

* cited by examiner

Primary Examiner—Paula Greene

(74) *Attorney, Agent, or Firm*—Richard W. Hanes; Hanes
Hrbacek & Bartels LLC

(57) **CLAIM**

The ornamental design for a dog urn, as shown.

DESCRIPTION

FIG. 1 is a perspective top view of the dog urn of the present invention.

FIG. 2 is a perspective bottom view of the dog urn.

FIG. 3 is a front view of the dog urn.

FIG. 4 is a back view of the dog urn.

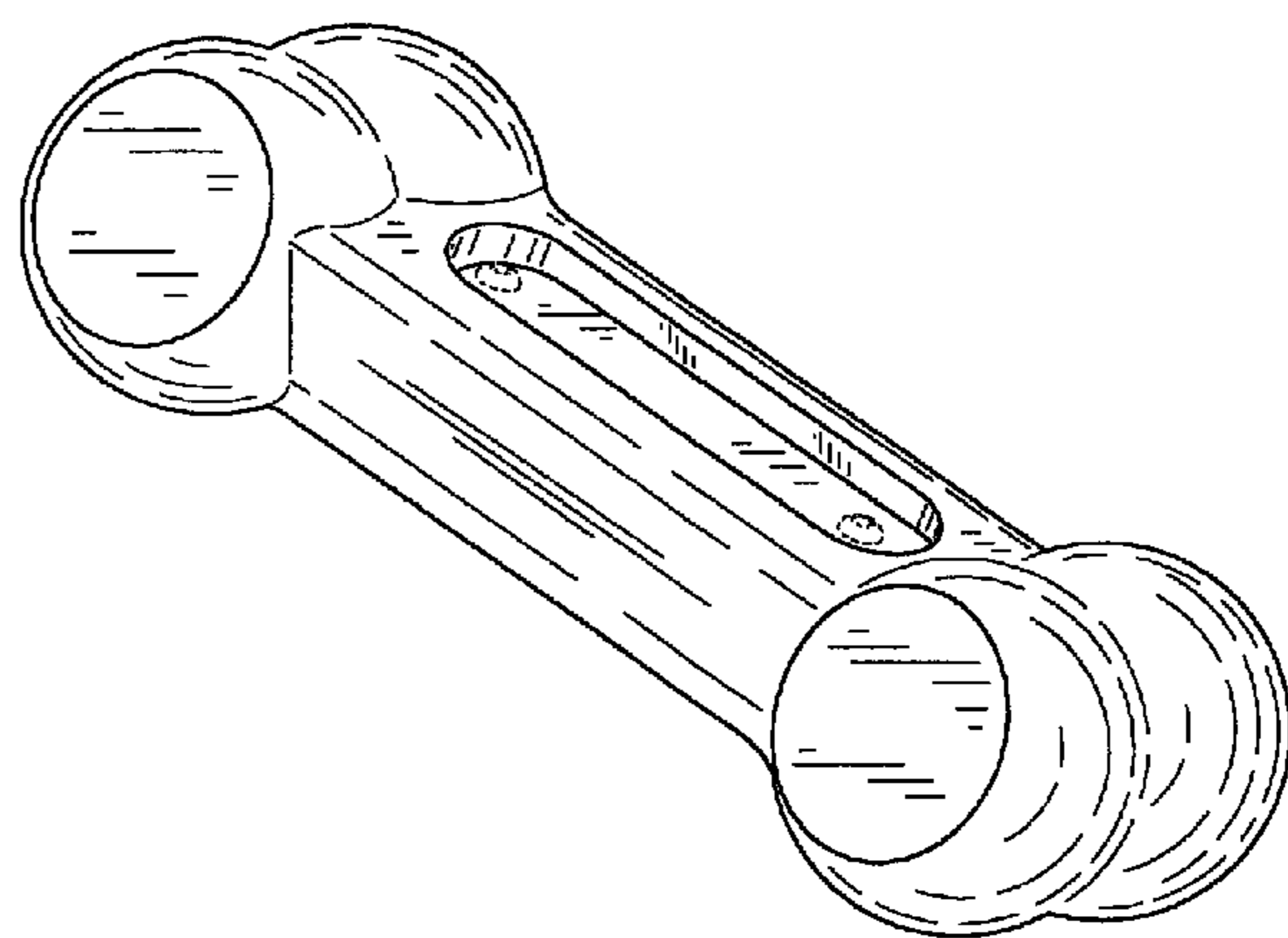
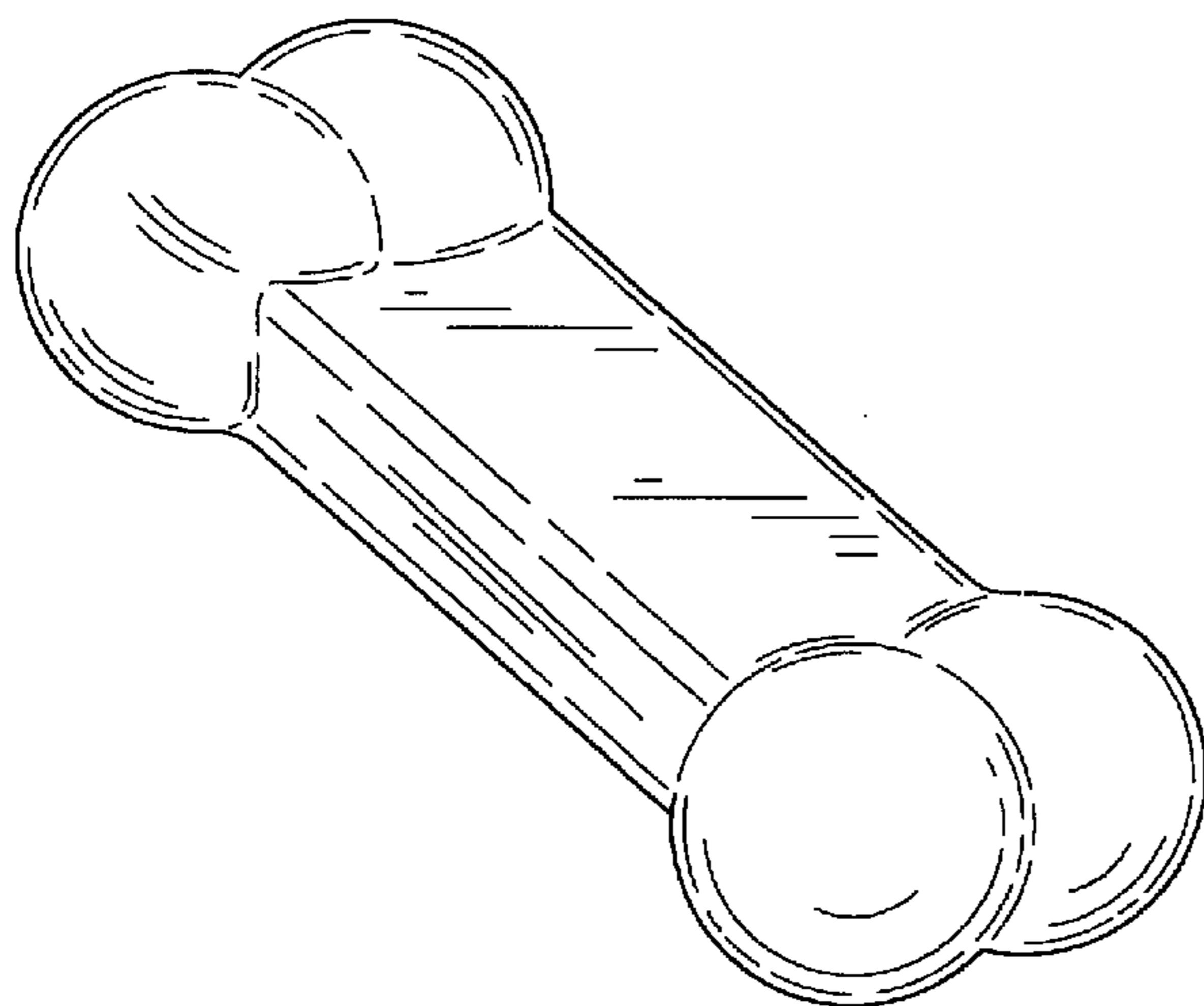
FIG. 5 is a right side view of the dog urn.

FIG. 6 is a left side view of the dog urn.

FIG. 7 is a top view of the dog urn; and,

FIG. 8 is a bottom view of the dog urn.

1 Claim, 6 Drawing Sheets



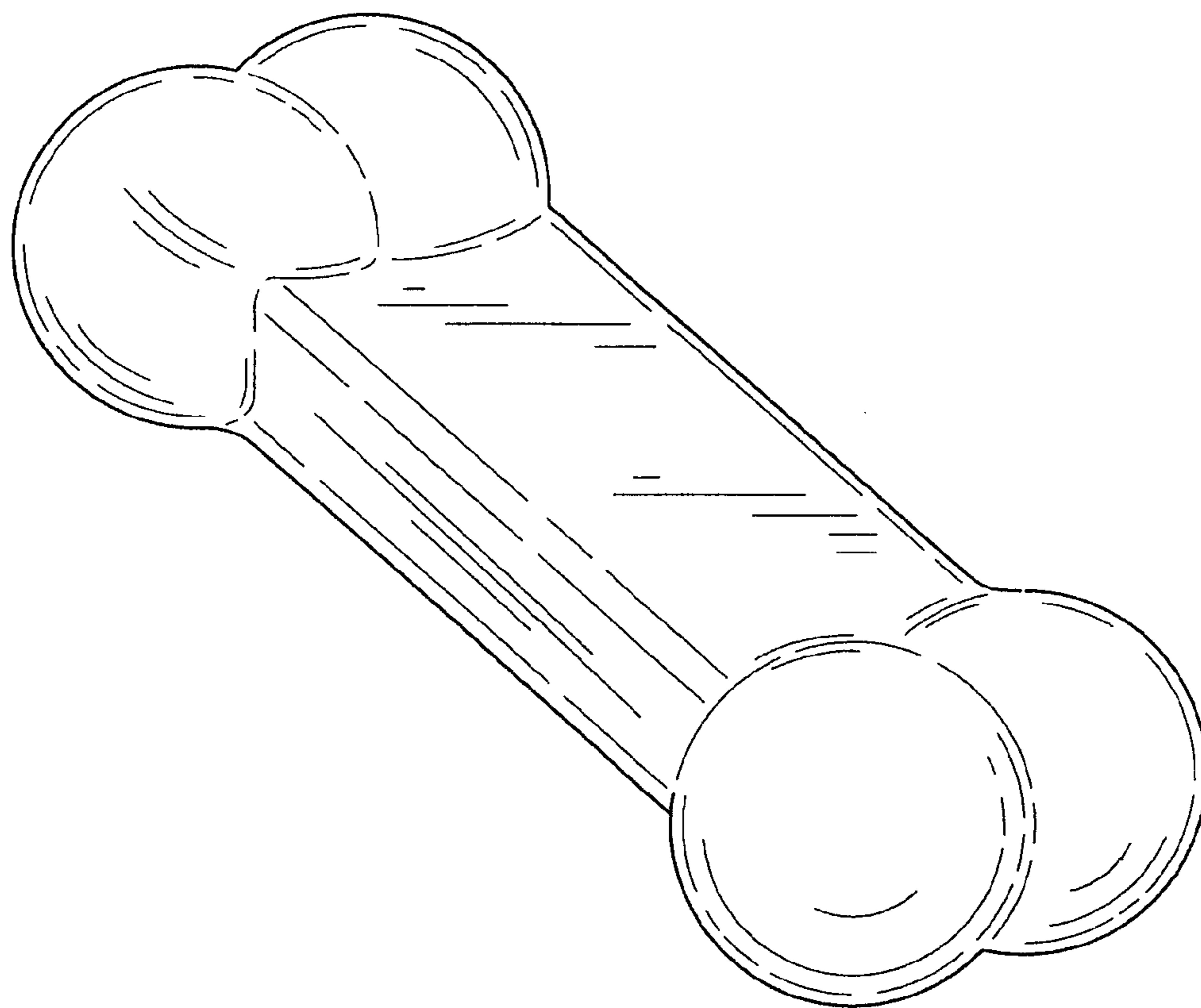


FIG. 1

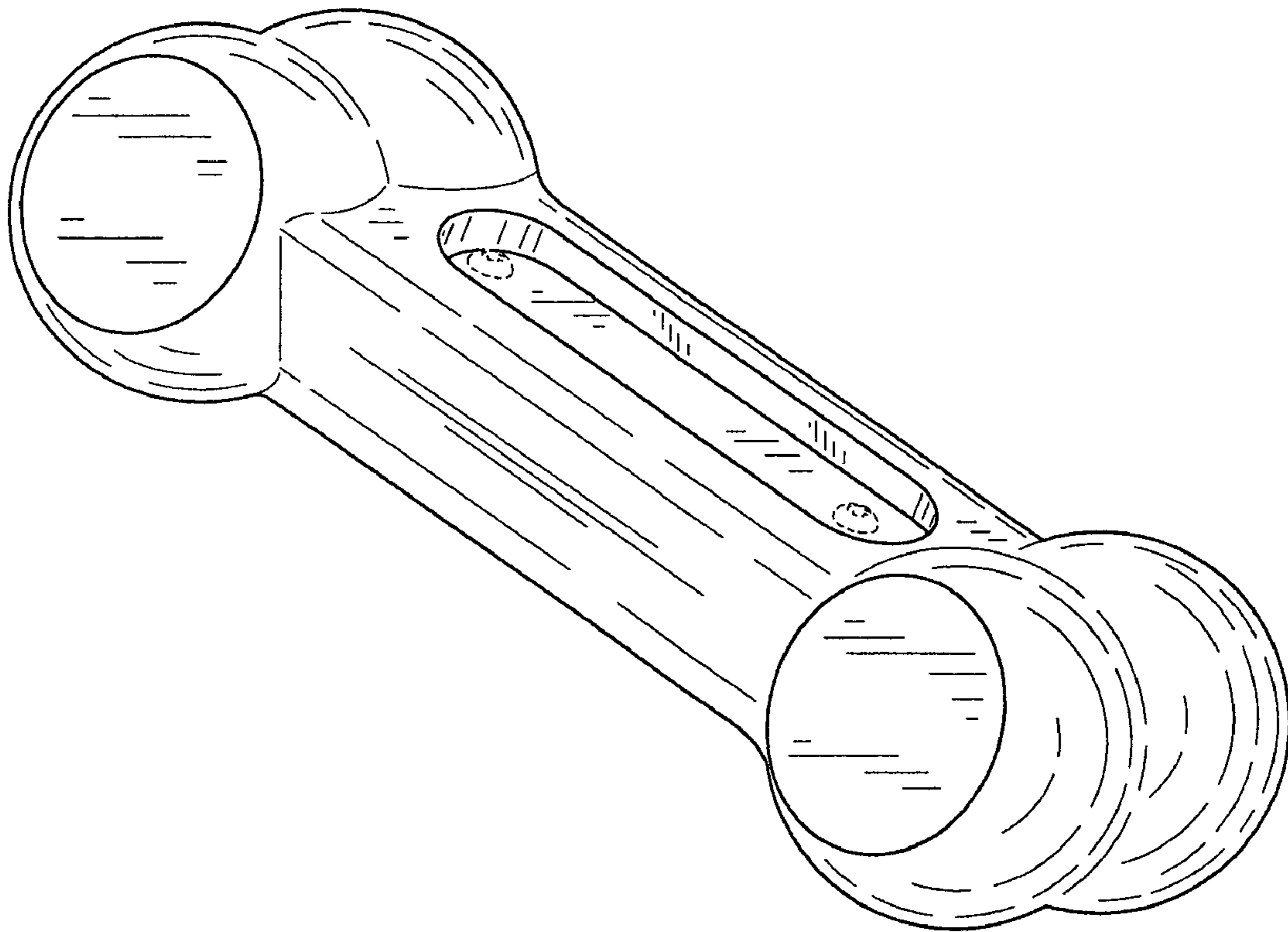


FIG.2

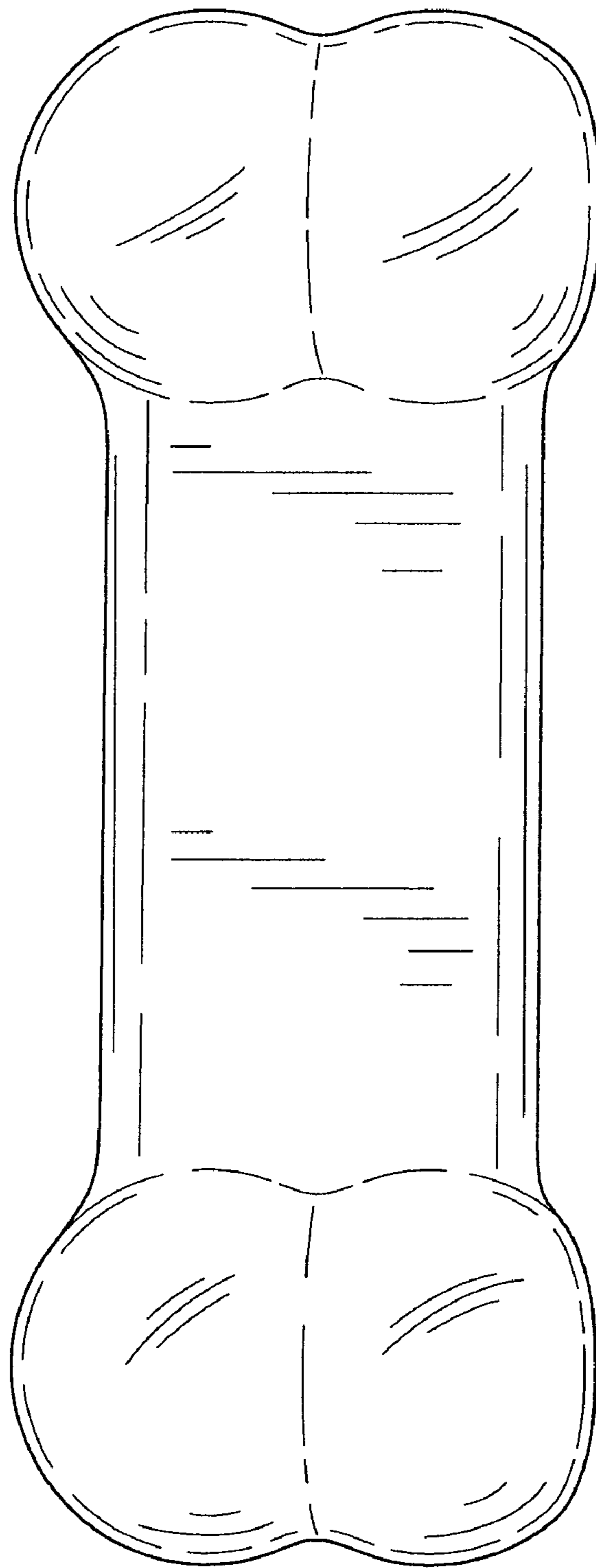


FIG.3

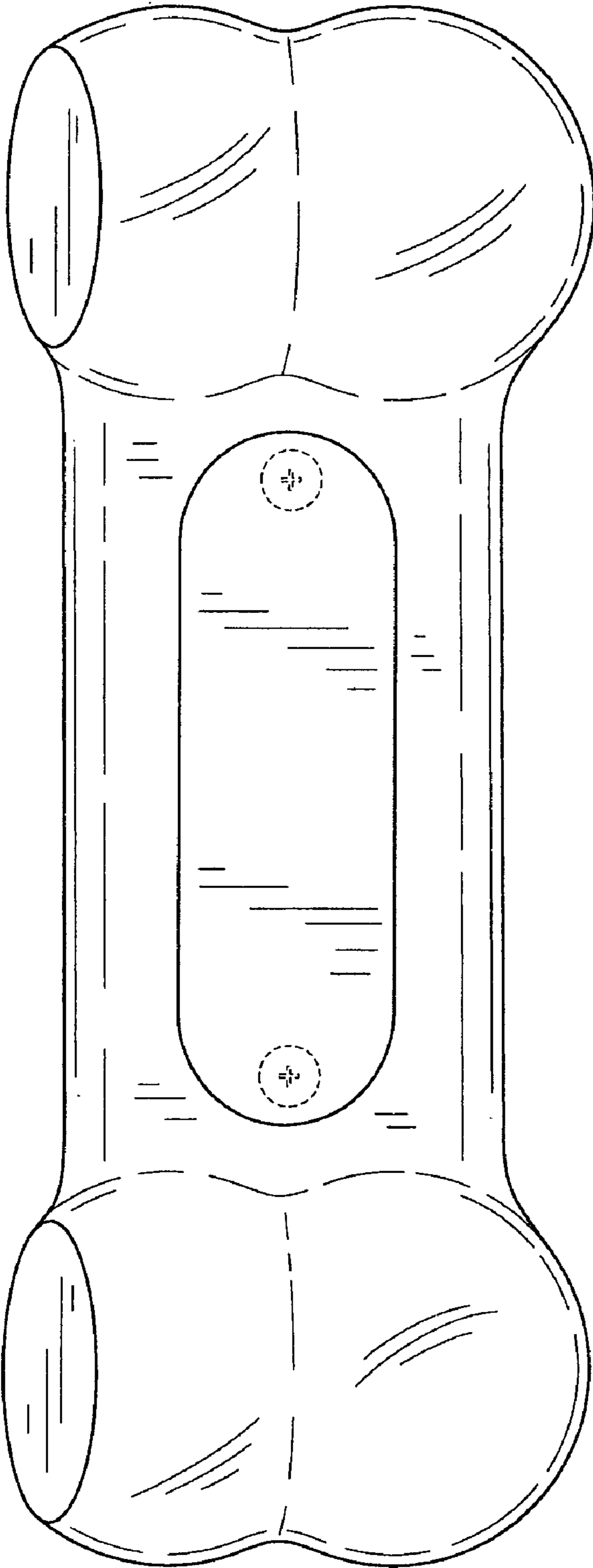


FIG.4

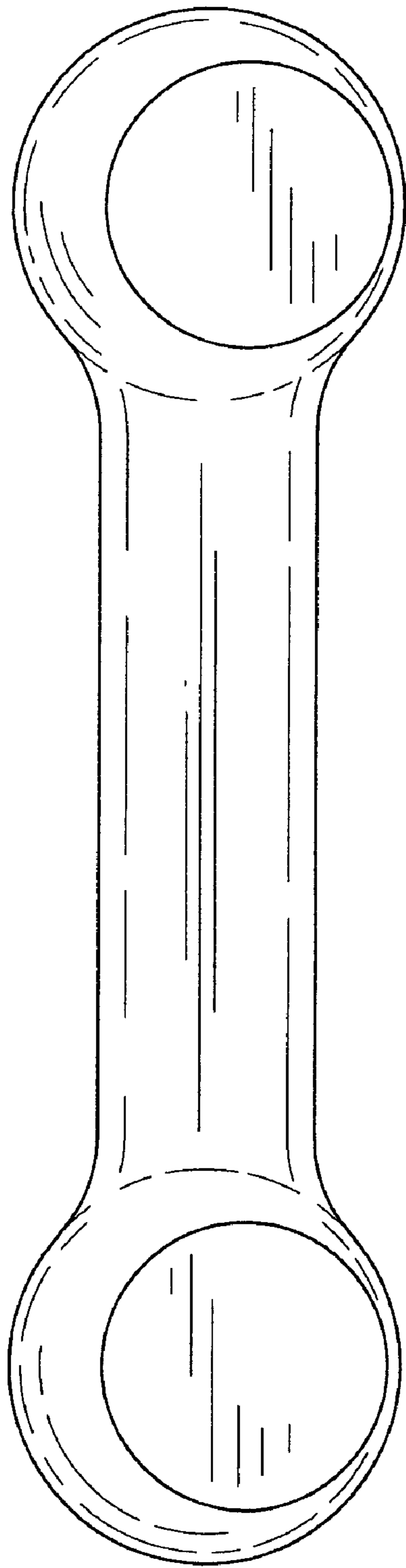


FIG. 5

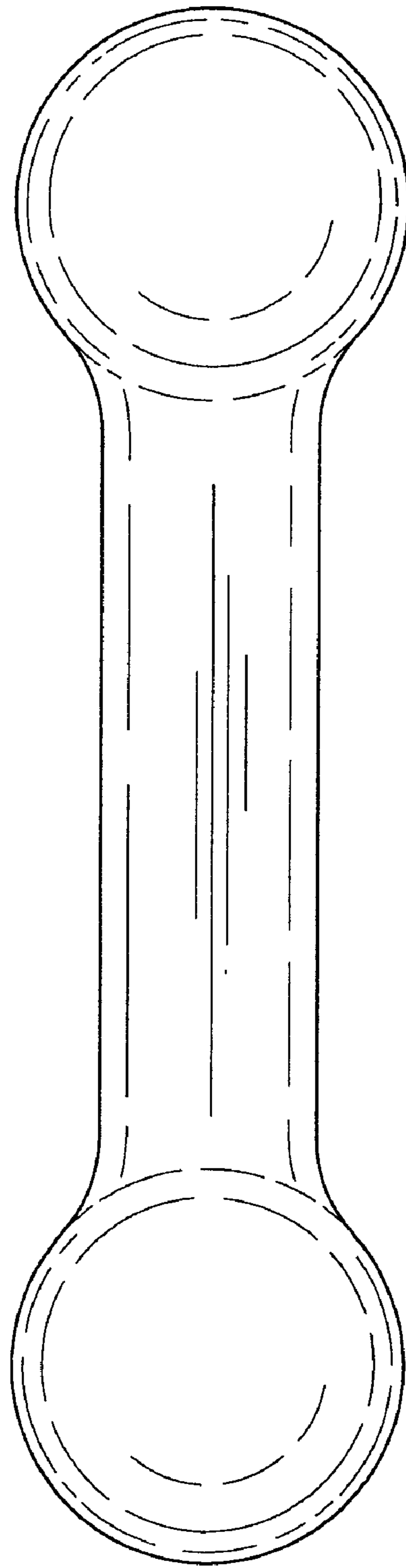


FIG. 6

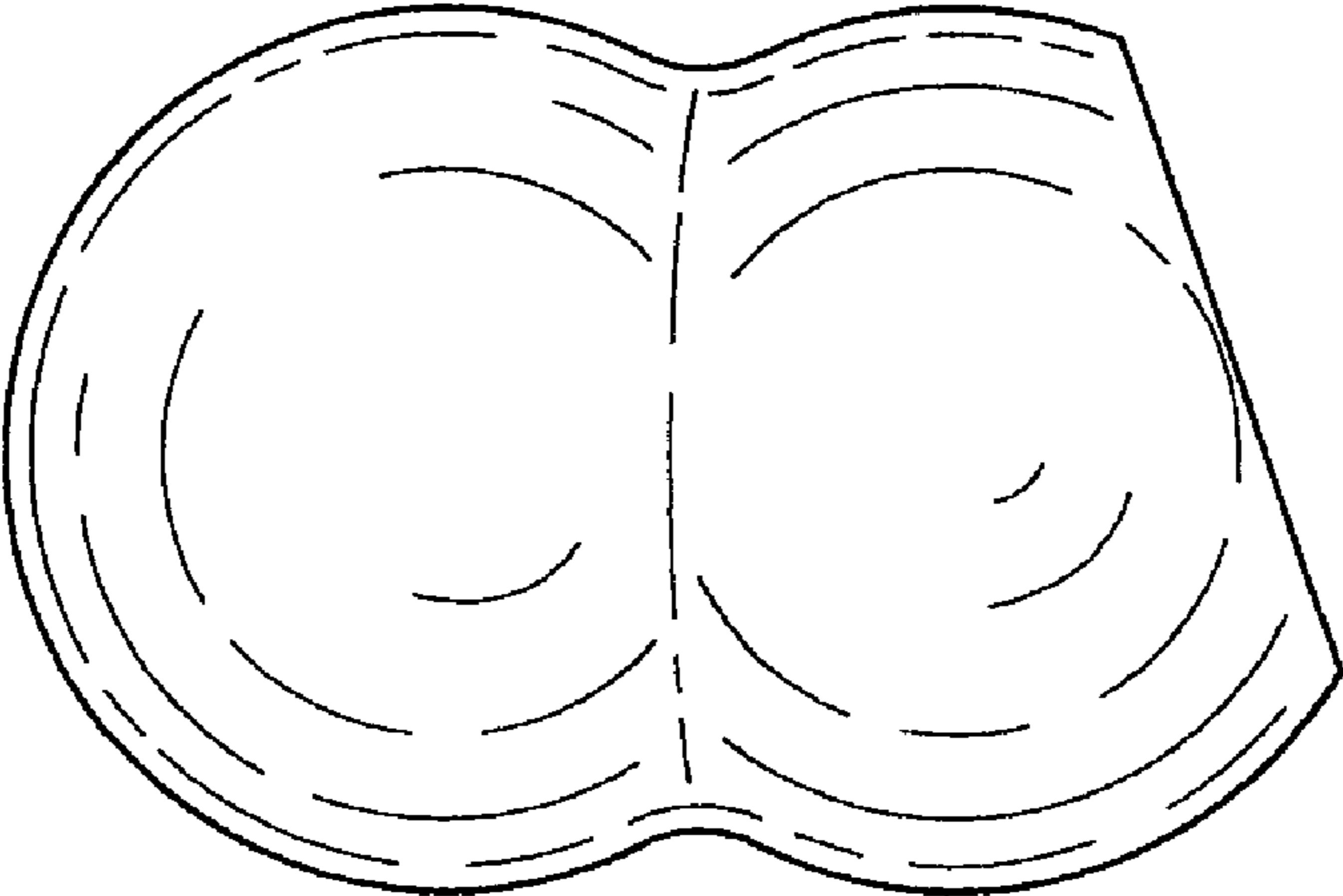


FIG. 7

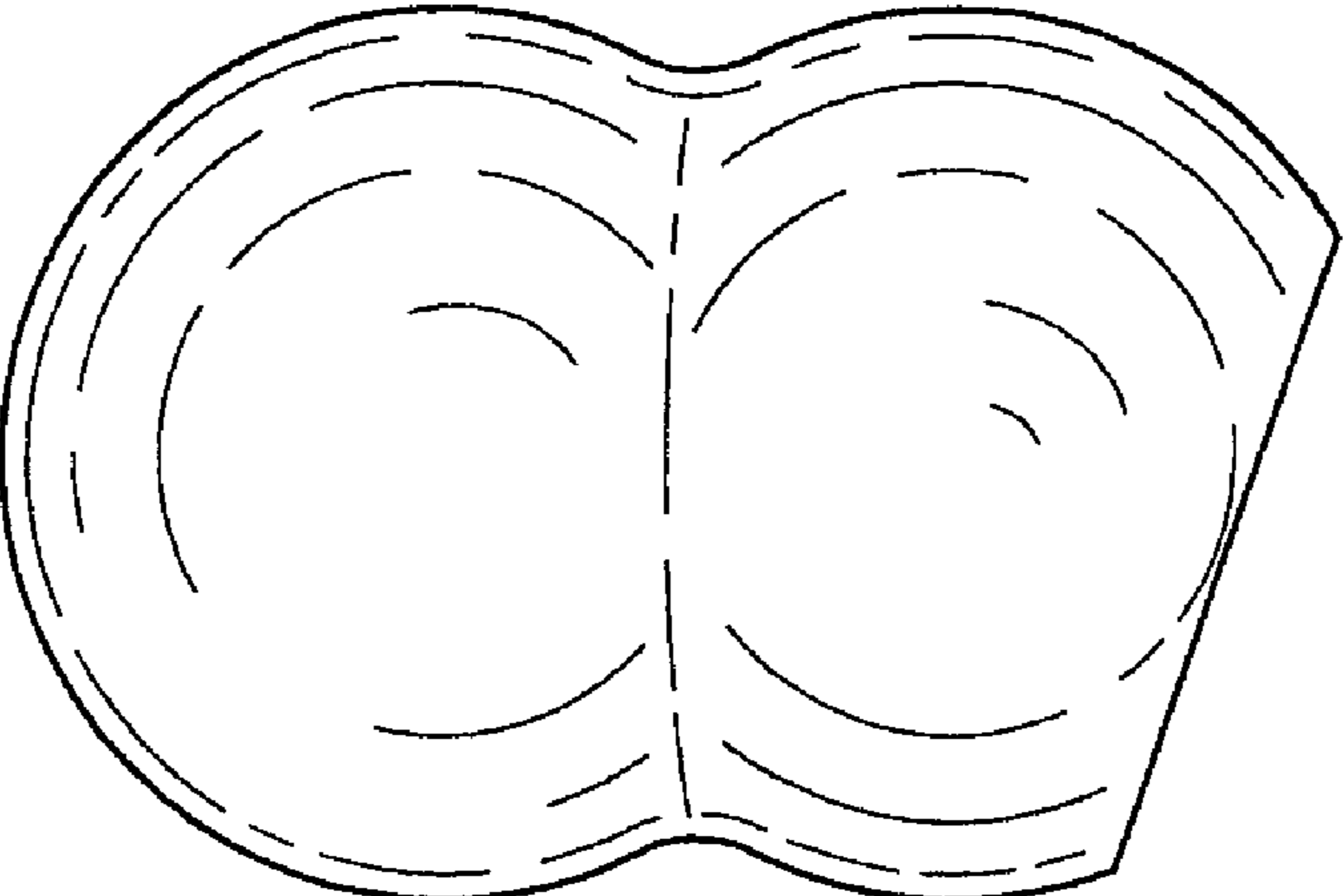


FIG. 8