



US00D632450S

(12) **United States Design Patent**
Agoncillo et al.

(10) **Patent No.:** **US D632,450 S**

(45) **Date of Patent:** **** Feb. 8, 2011**

(54) **PORTABLE TANK LIFTING AND HANDLING APPARATUS**

(75) Inventors: **Cielito B. Agoncillo**, Newtown, PA (US); **W. Brian McGinty**, Huntingdon Valley, PA (US); **Michael P. Ziaylek**, 15 Cold Spring Ave., Yardley, PA (US) 19067

(73) Assignee: **Michael P. Ziaylek**, Yardley, PA (US)

(**) Term: **14 Years**

(21) Appl. No.: **29/349,490**

(22) Filed: **Apr. 8, 2010**

(51) **LOC (9) Cl.** **12-05**

(52) **U.S. Cl.** **D34/28**

(58) **Field of Classification Search** D34/28, D34/33; 414/785, 11, 917; 212/294, 295, 212/901; 254/2 R, 8 R

See application file for complete search history.

(56) **References Cited**

U.S. PATENT DOCUMENTS

1,827,209 A	10/1931	Robbins	
1,887,965 A *	11/1932	Stoner	254/323
1,896,249 A	2/1933	Russell	
2,463,967 A	3/1949	Hefelfinger	
2,500,055 A	3/1950	Baker	
2,624,483 A	1/1953	Ketzel	
2,730,257 A	1/1956	Stresau, Jr.	
2,738,086 A	3/1956	Reich	
2,903,147 A	9/1959	Davis, Jr.	
2,905,347 A	9/1959	Hopfied	
3,059,785 A *	10/1962	Buckeye	414/728
3,382,988 A *	5/1968	O'Reilly	414/11
3,471,046 A	10/1969	Hess	
3,637,097 A	1/1972	Horowitz	
3,682,342 A	8/1972	Evans	
4,021,070 A	5/1977	Shea	
4,059,281 A	11/1977	Evans	
4,205,937 A	6/1980	Fawley	
4,221,529 A	9/1980	DeShano	

4,318,661 A	3/1982	Helm	
4,536,123 A	8/1985	Snyder	
4,615,656 A	10/1986	Geraghty, Jr.	
4,738,582 A	4/1988	Roberts	
4,808,056 A	2/1989	Oshima	
D306,368 S *	2/1990	Daugherty	D34/28
4,940,381 A	7/1990	Rysewyk	
5,104,280 A	4/1992	Ziaylek et al.	
5,145,311 A	9/1992	Salvucci	
5,207,550 A	5/1993	Lehman	
5,209,628 A	5/1993	Hassell	
5,307,839 A	5/1994	Loebker et al.	
5,340,136 A	8/1994	MacNeil et al.	
5,344,278 A	9/1994	Emig, Jr.	
5,346,357 A	9/1994	Hassell	
5,366,338 A	11/1994	Mortensen	

(Continued)

Primary Examiner—Cynthia E Ramirez
(74) *Attorney, Agent, or Firm*—Sperry, Zoda & Kane

(57) **CLAIM**

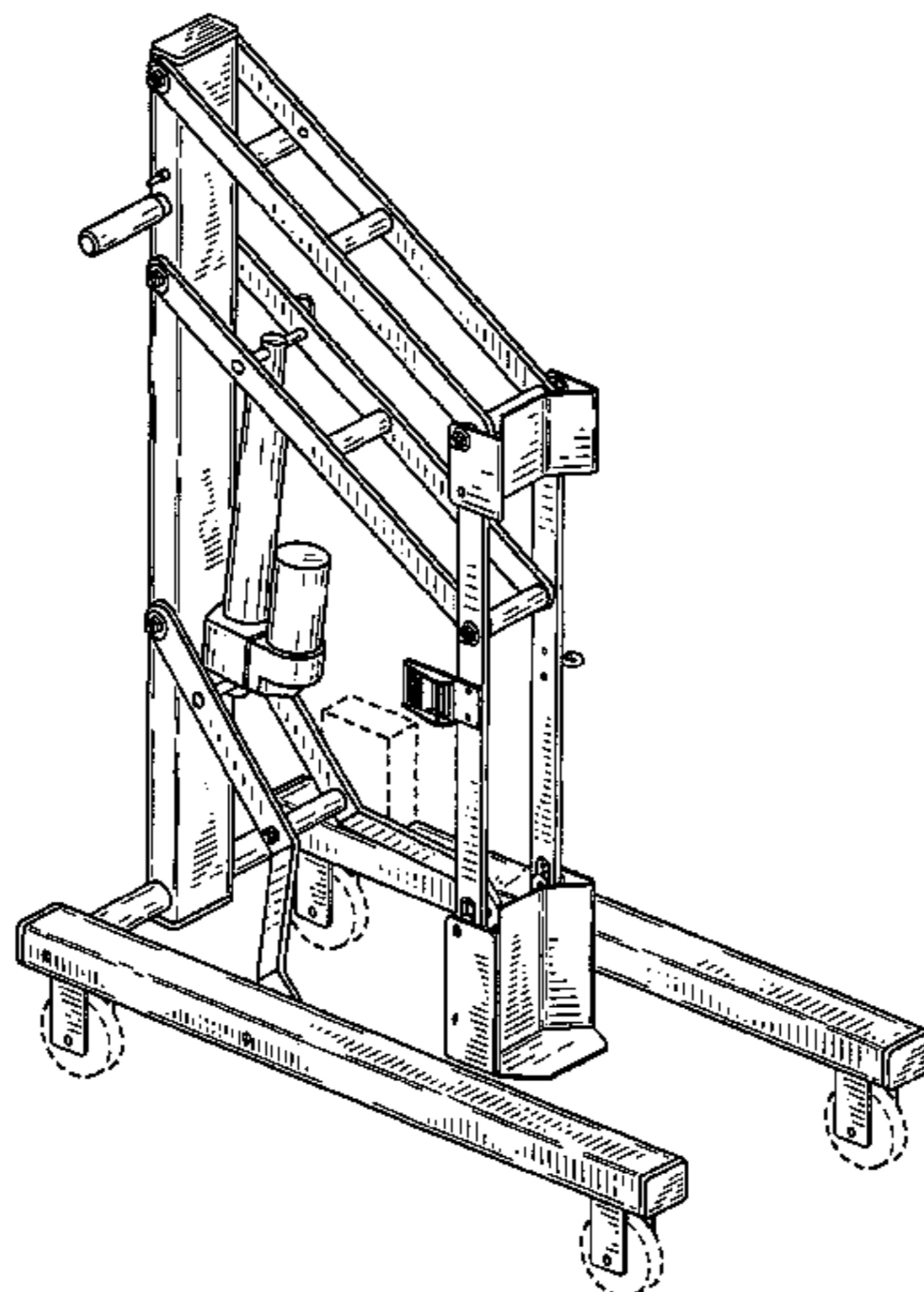
The ornamental design for a portable tank lifting and handling apparatus, as shown and described.

DESCRIPTION

FIG. 1 is a front, left perspective view of a portable tank lifting and handling apparatus embodying out new design;
FIG. 2 is a front plan view;
FIG. 3 is a rear plan view;
FIG. 4 is a side plan view as taken from the left in FIG. 1;
FIG. 5 is a side plan view as taken from the right in FIG. 1;
FIG. 6 is a top plan view; and,
FIG. 7 is a bottom plan view.

The broken line showing in the figures is included for the purpose of illustrating environment and forms no part of the claimed design.

1 Claim, 7 Drawing Sheets



US D632,450 S

Page 2

U.S. PATENT DOCUMENTS					
5,440,098	A	8/1995 Matus	6,406,248	B1	6/2002 McGill et al.
5,518,357	A	5/1996 Ziaylek et al.	7,004,454	B2 *	2/2006 Petrone et al. 254/10 R
5,618,154	A	4/1997 Irons, Jr. et al.	7,357,398	B2	4/2008 O'Connor
5,658,118	A	8/1997 Luca	7,360,543	B1	4/2008 Coleman et al.
5,791,857	A	8/1998 Ziaylek, Jr. et al.	7,494,308	B2	2/2009 Chun
5,944,474	A	8/1999 Cummins et al.	D602,670	S *	10/2009 Laursen D34/23
5,984,612	A	11/1999 Tatro	D613,022	S *	3/2010 Laursen D34/23
6,086,312	A	7/2000 Ziaylek et al.	2002/0076313	A1	6/2002 Vartanian, Sr.
6,171,048	B1	1/2001 Grimes	2003/0047724	A1 *	3/2003 Landreth et al. 254/8 R
6,368,048	B2	4/2002 Womble et al.	2007/0292249	A1	12/2007 Wilson
6,390,450	B1 *	5/2002 Bressner et al. 254/4 B	2008/0000486	A1	1/2008 Wilson
			2008/0014052	A1 *	1/2008 Rodriguez 414/11
					* cited by examiner

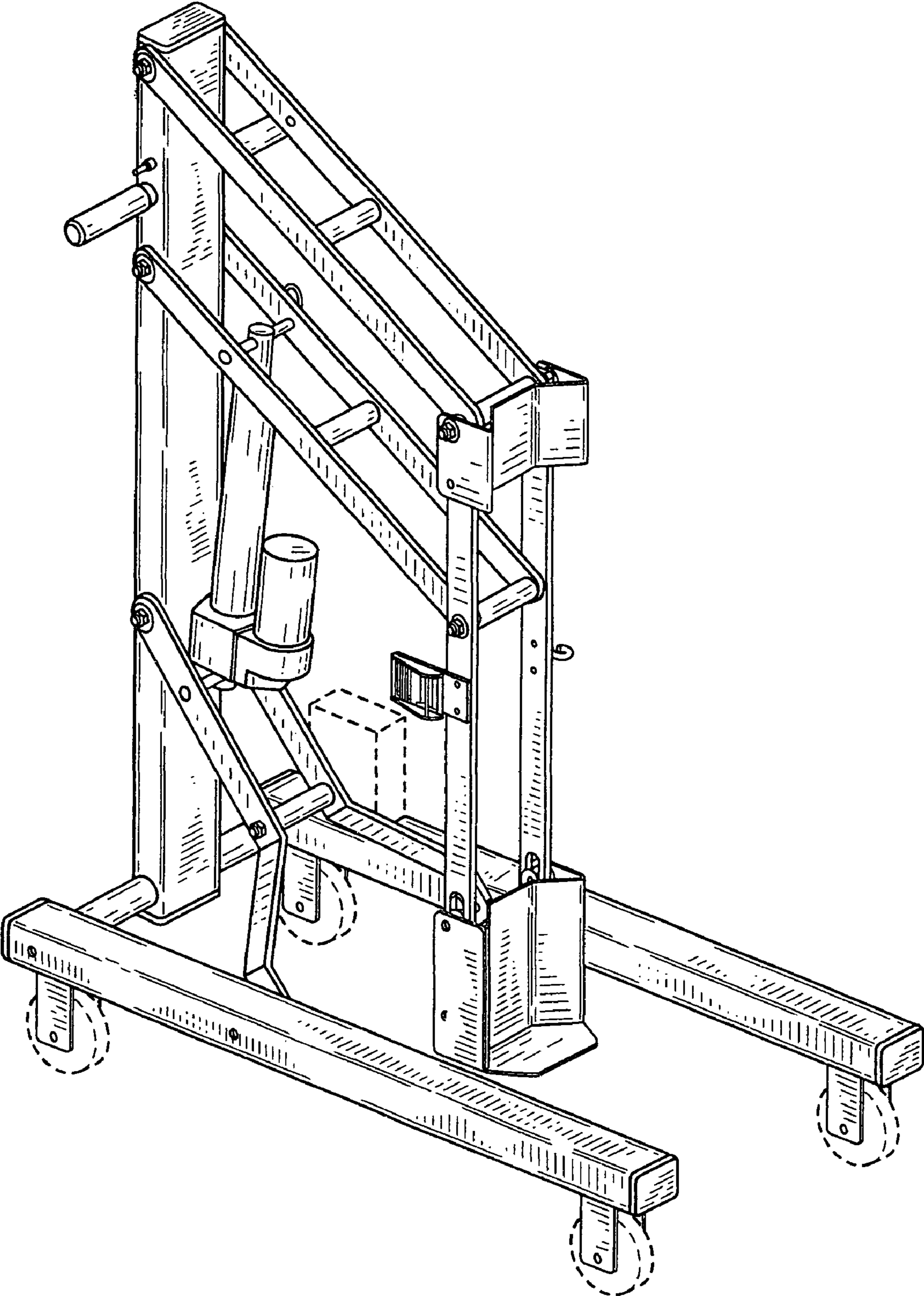


FIG. 1

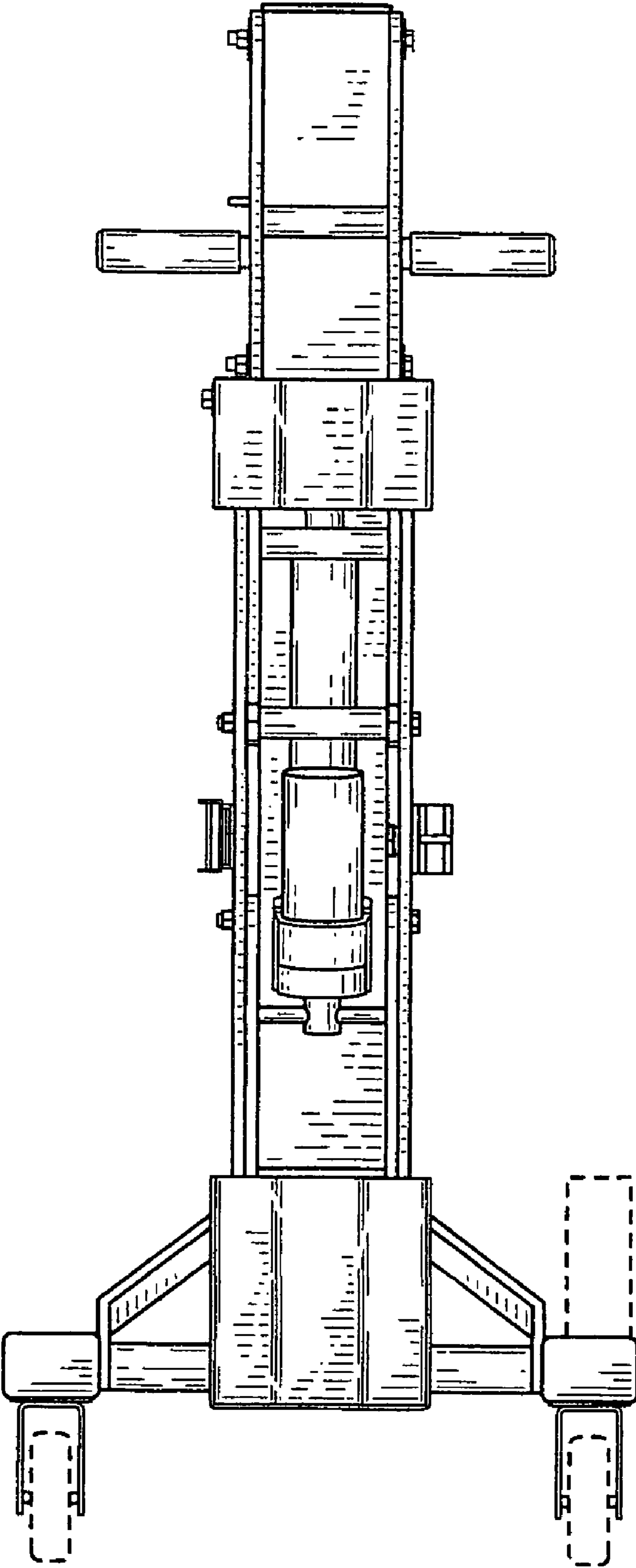


FIG. 2

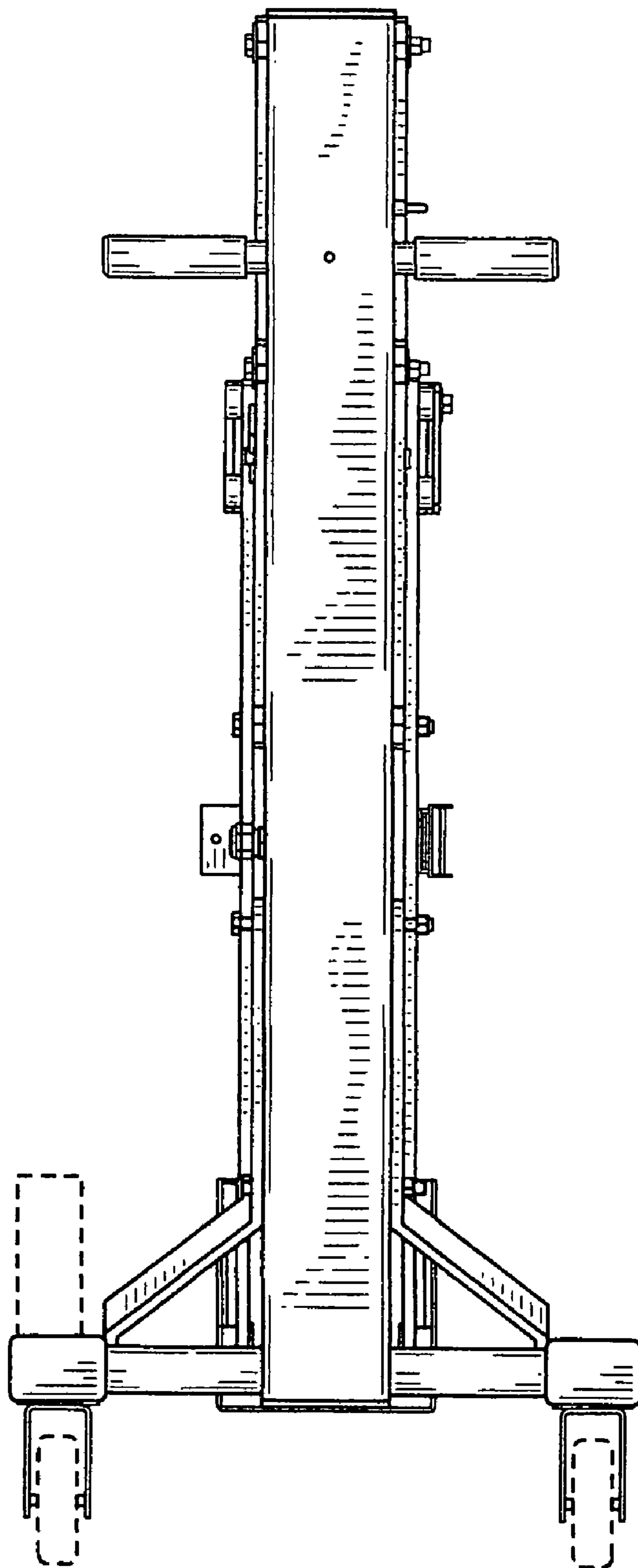


FIG. 3

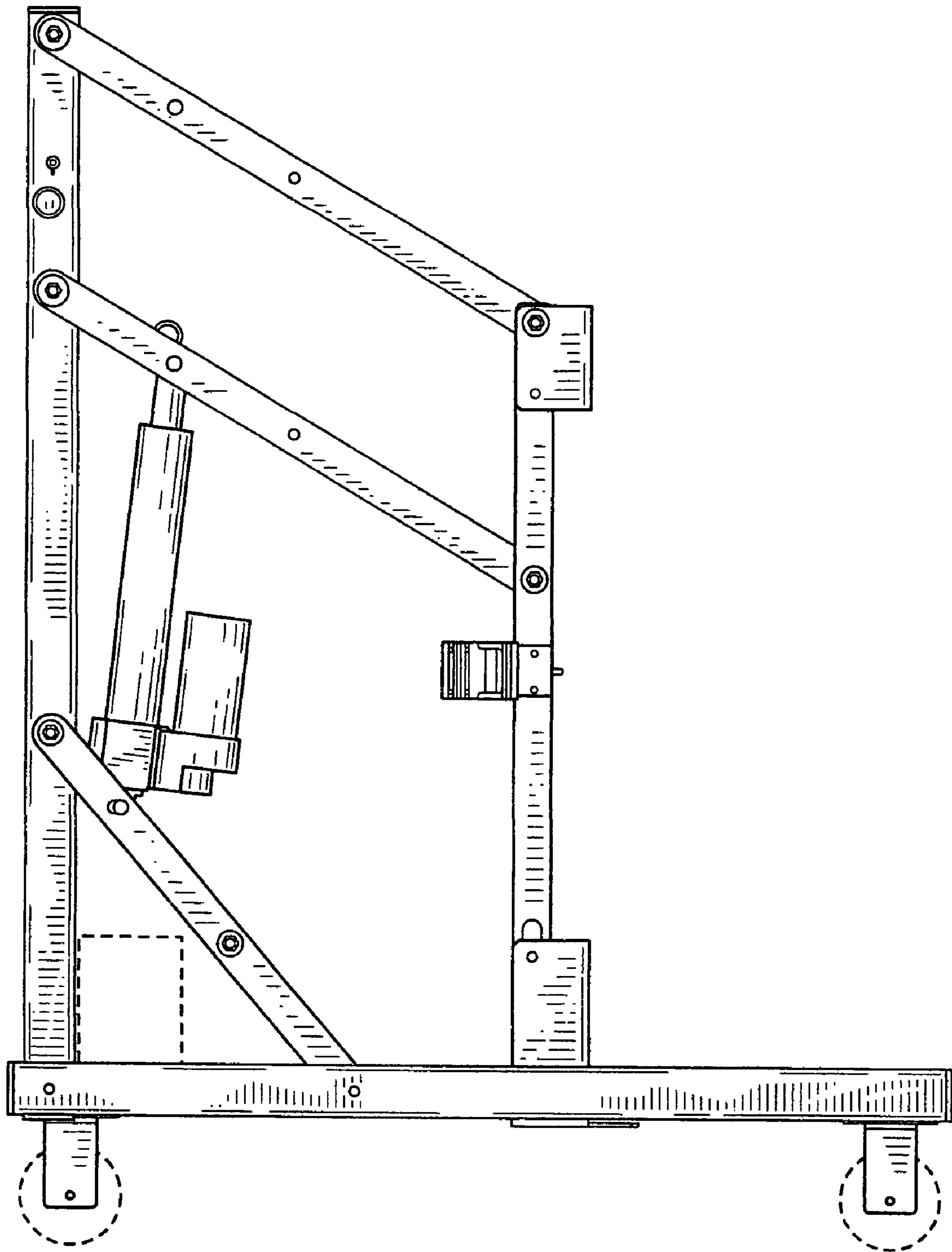


FIG. 4

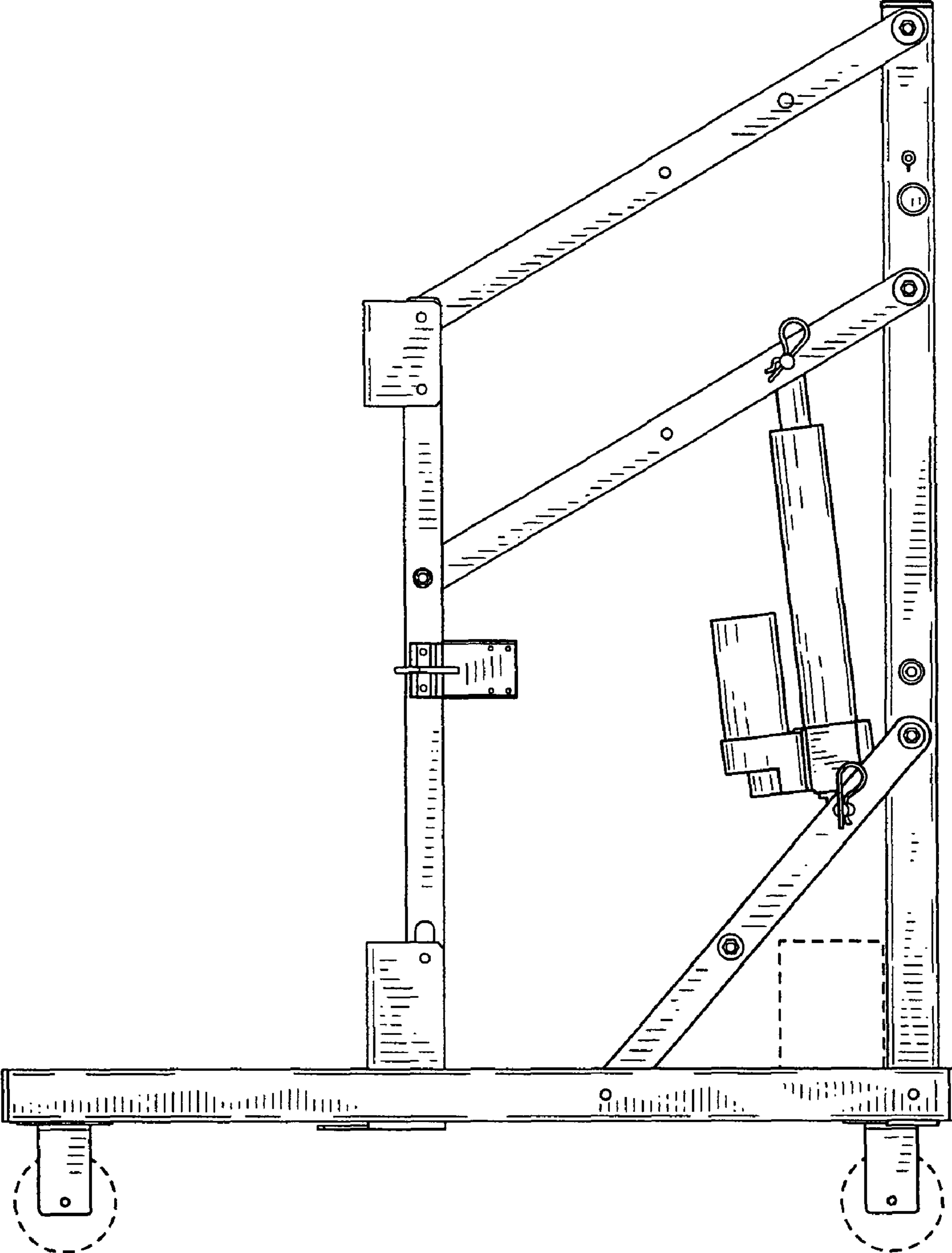


FIG. 5

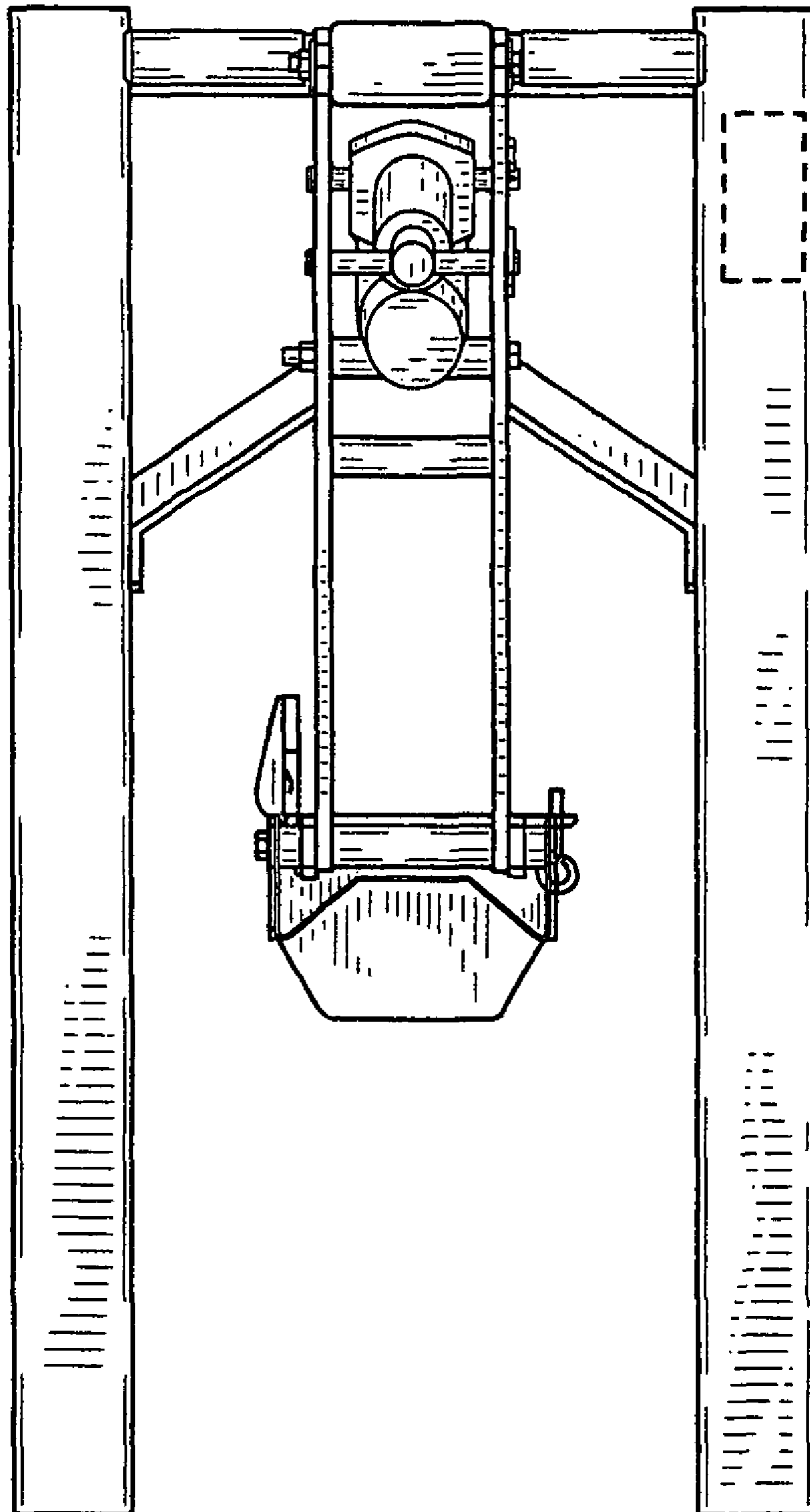


FIG. 6

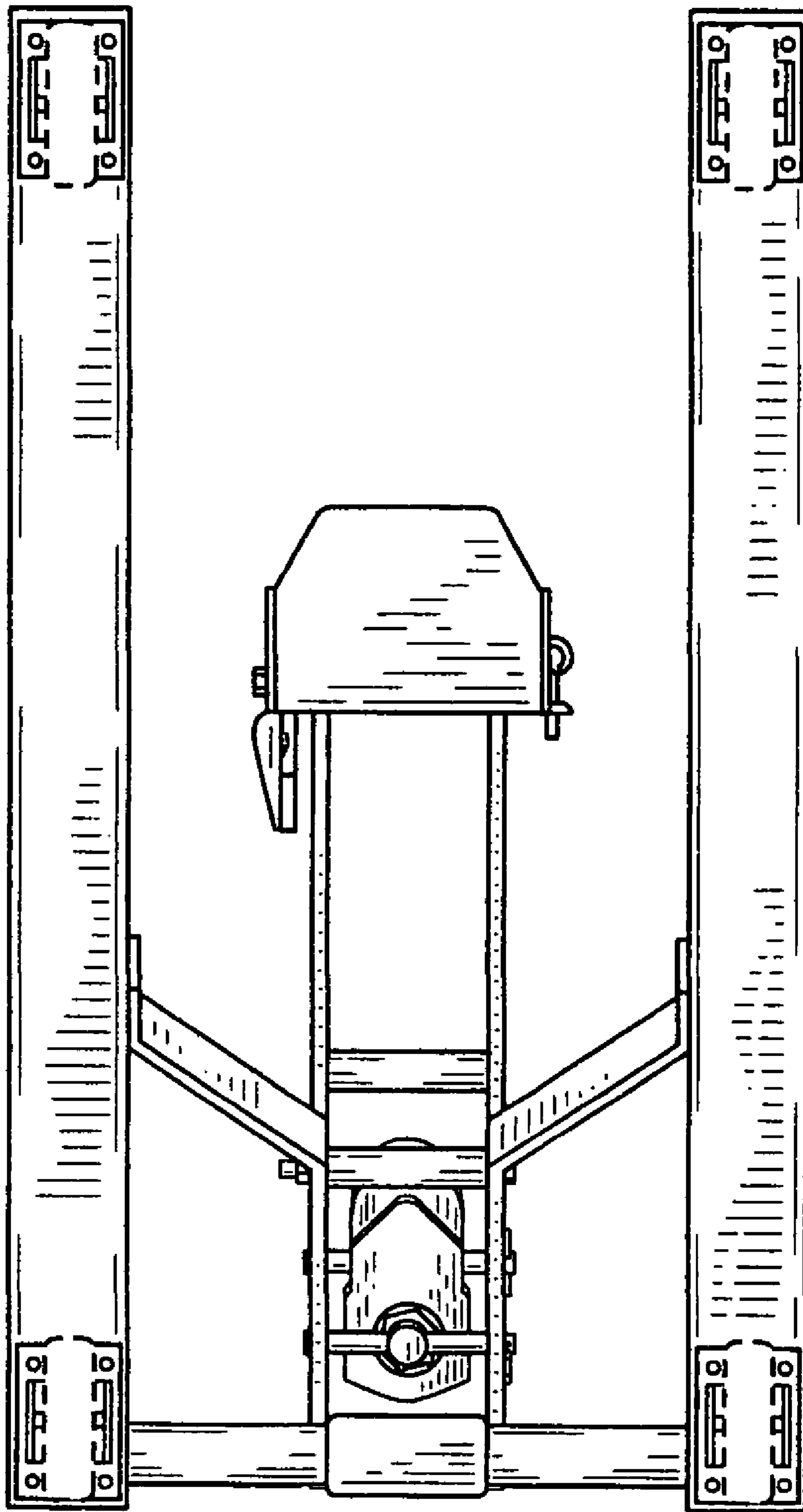


FIG. 7