

US00D632449S

(12) **United States Design Patent**
Liao

(10) **Patent No.:** **US D632,449 S**
(45) **Date of Patent:** **** Feb. 8, 2011**

(54) **GOLF CART**

(75) Inventor: **Gordon Liao**, Yung Kang (TW)

(73) Assignee: **Unique Product & Design Co., Ltd.**,
Yung Kang (TW)

(**) Term: **14 Years**

(21) Appl. No.: **29/357,834**

(22) Filed: **Mar. 18, 2010**

(51) **LOC (9) Cl.** **12-02**

(52) **U.S. Cl.** **D34/15**

(58) **Field of Classification Search** D34/12-27;
280/62, DIG. 6, DIG. 5, 641, 642, 652, 654,
280/651

See application file for complete search history.

(56) **References Cited**

U.S. PATENT DOCUMENTS

D454,417	S *	3/2002	Wu	D34/15
6,698,789	B2 *	3/2004	Reimers et al.	280/651
6,969,078	B2 *	11/2005	Liao	280/38
7,128,333	B2 *	10/2006	Reimers et al.	280/651
D570,571	S *	6/2008	Liao	D34/15
D599,522	S *	9/2009	Wu	D34/15
D599,973	S *	9/2009	Liao	D34/15

D622,924 S * 8/2010 Liao D34/15
2009/0115168 A1 * 5/2009 Liao 280/651

* cited by examiner

Primary Examiner—Cynthia E Ramirez

(74) *Attorney, Agent, or Firm*—Alan Kamrath; Kamrath &
Associates PA

(57) **CLAIM**

The ornamental design for a golf cart, as shown and described.

DESCRIPTION

FIG. 1 is a perspective view of a golf cart showing my new design;

FIG. 2 is a front elevational view thereof;

FIG. 3 is a rear elevational view thereof;

FIG. 4 is a left side elevational view thereof;

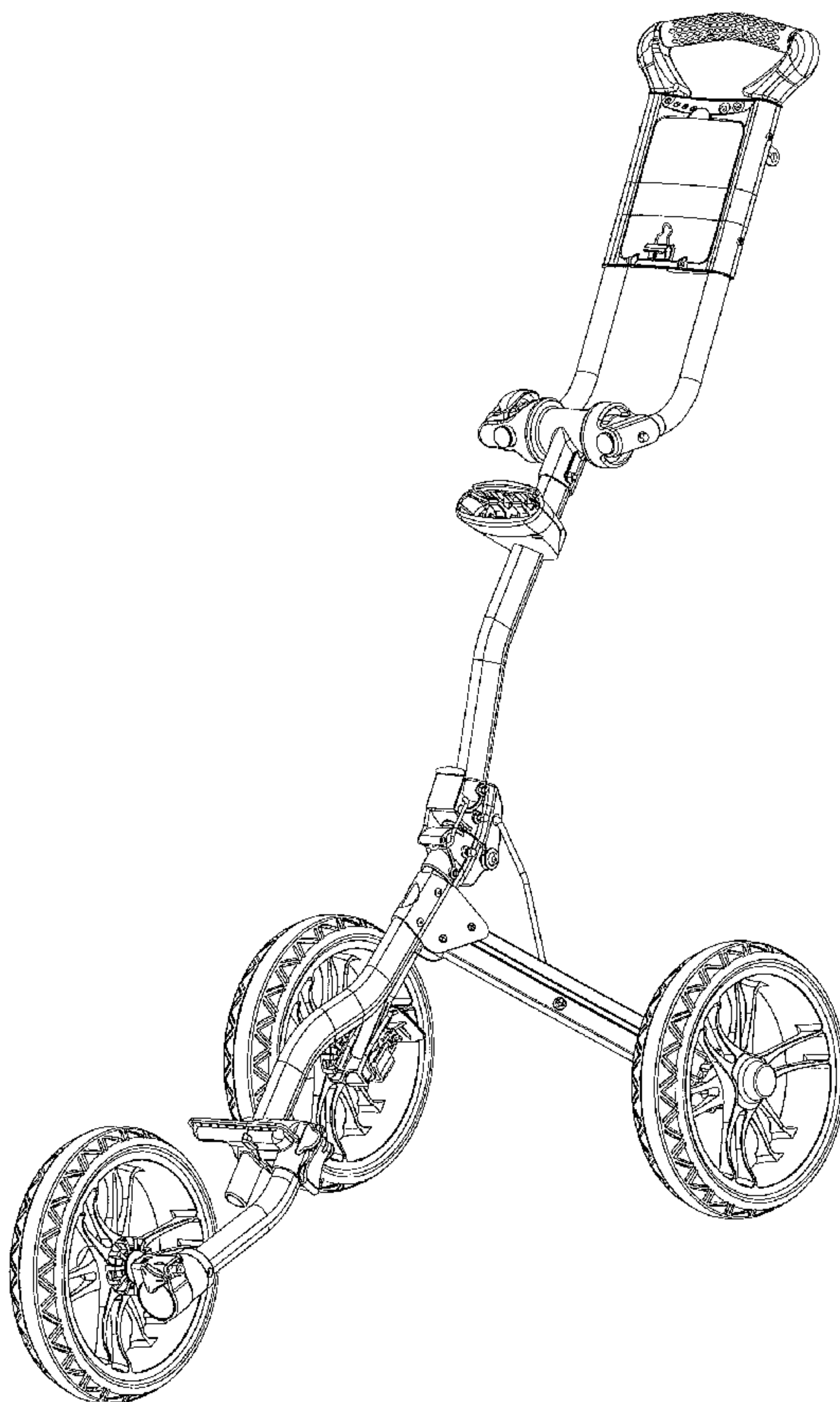
FIG. 5 is a right side elevational view thereof;

FIG. 6 is a top plan view thereof;

FIG. 7 is a bottom plan view thereof; and,

FIG. 8 is a perspective schematic view illustrating a golf cart showing my design being folded.

1 Claim, 8 Drawing Sheets



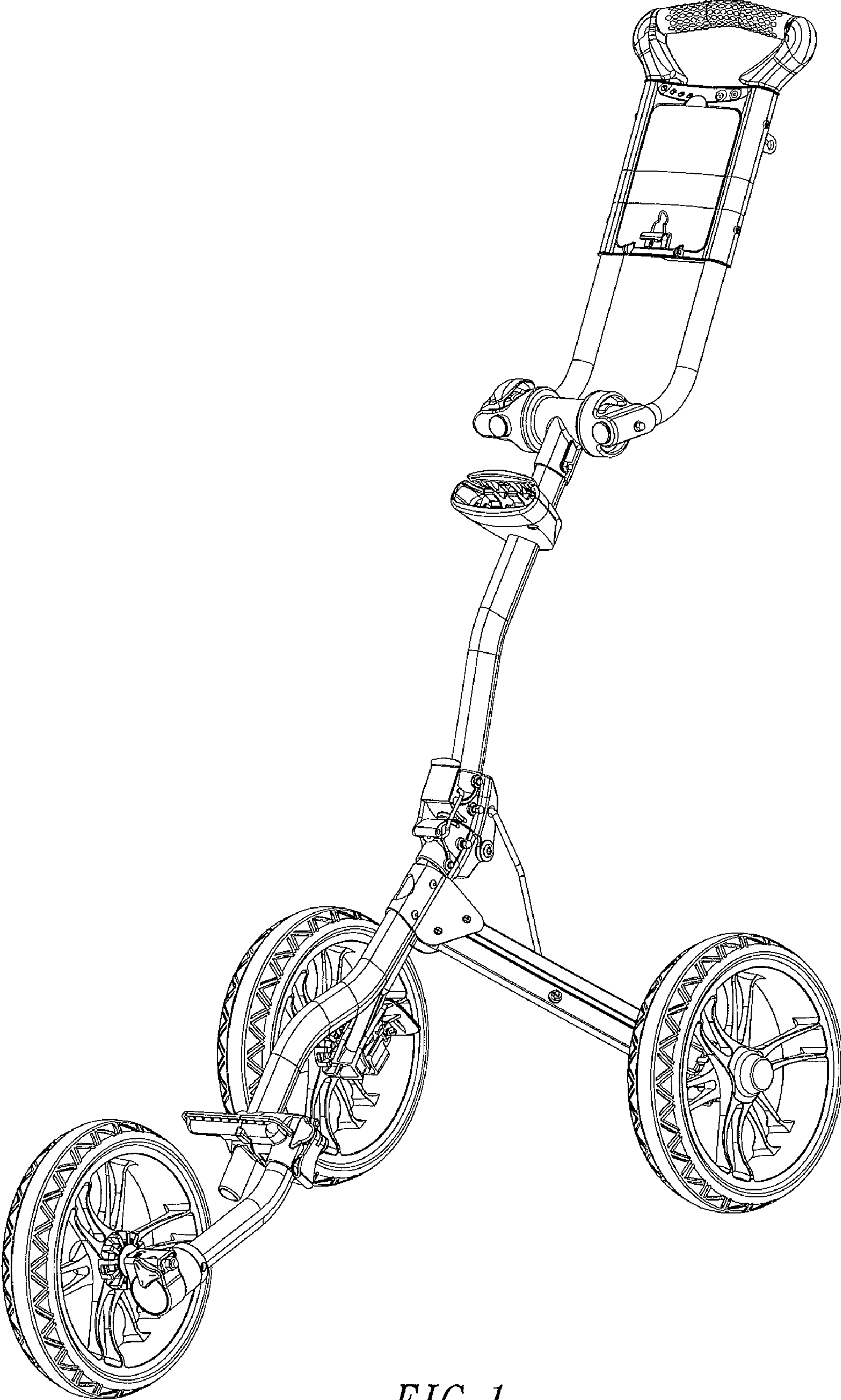


FIG. 1

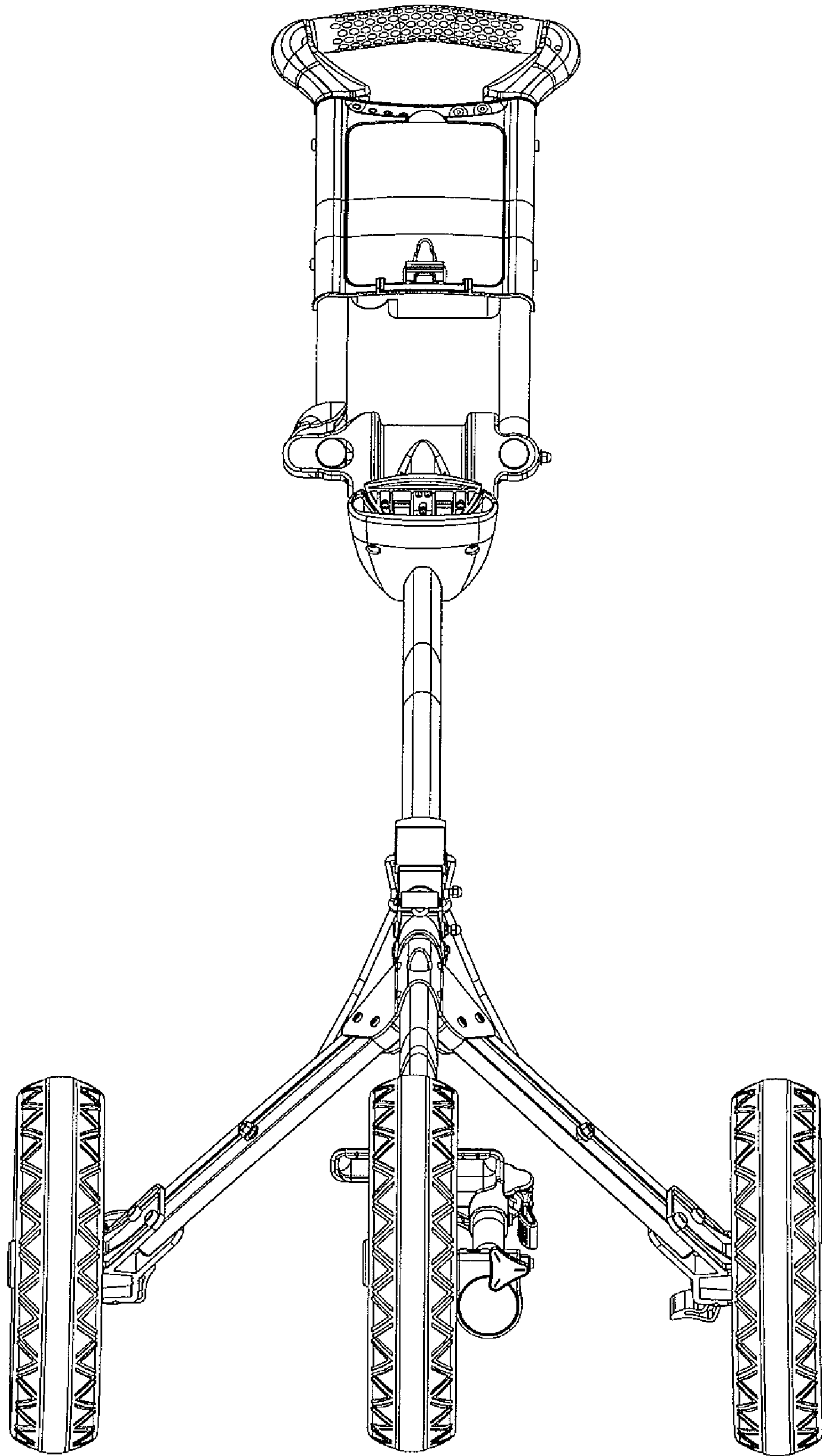


FIG. 2

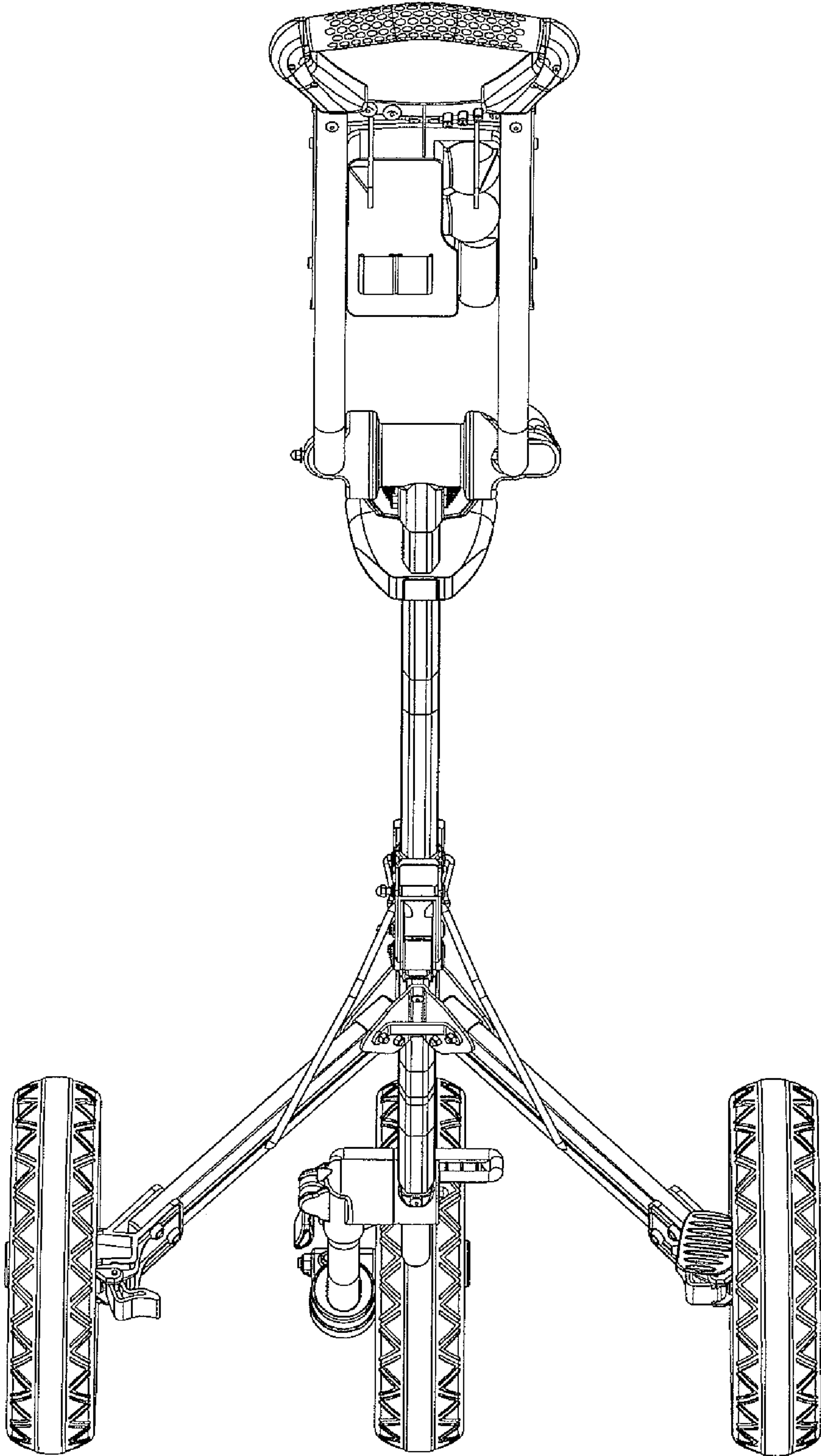


FIG. 3

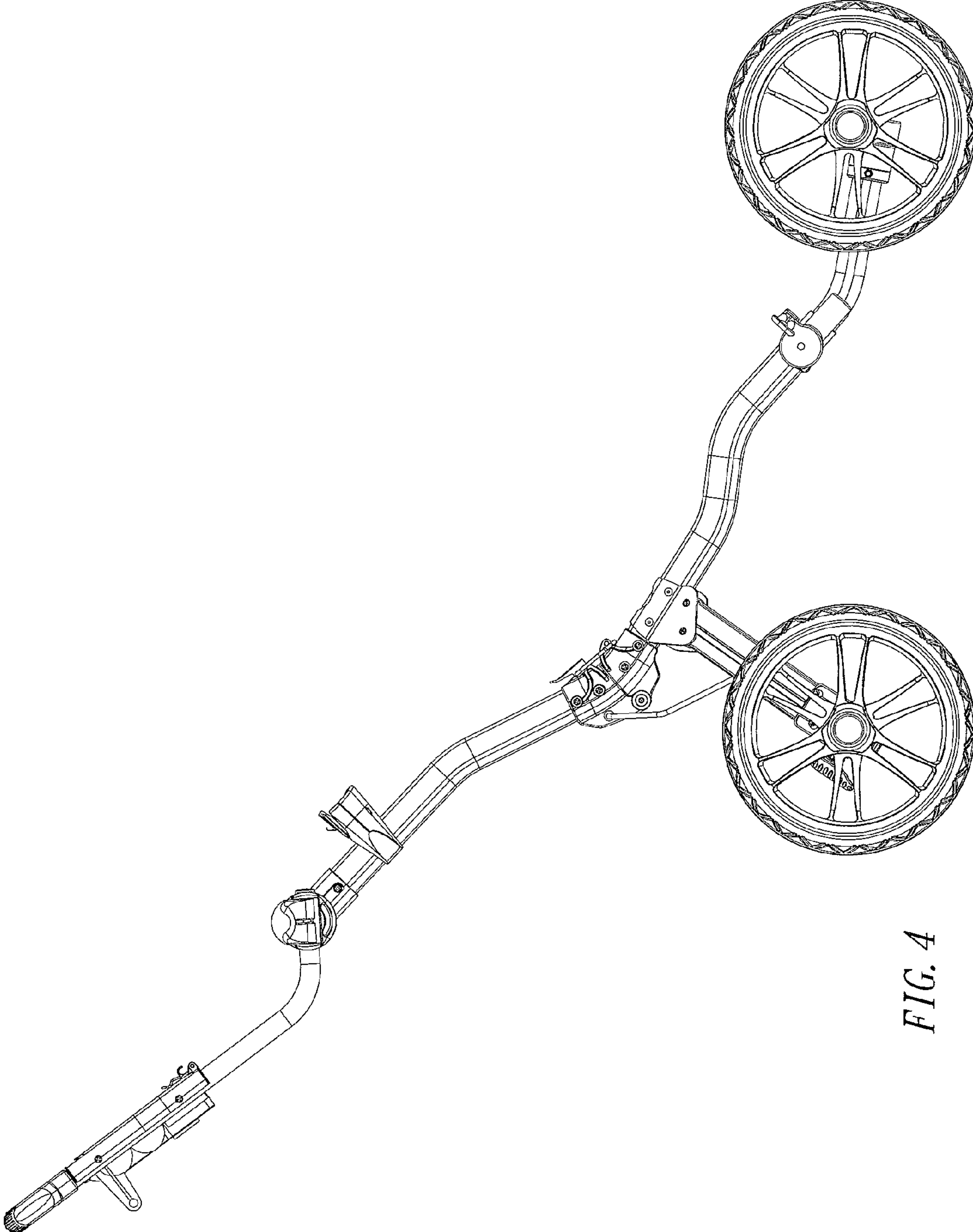


FIG. 4

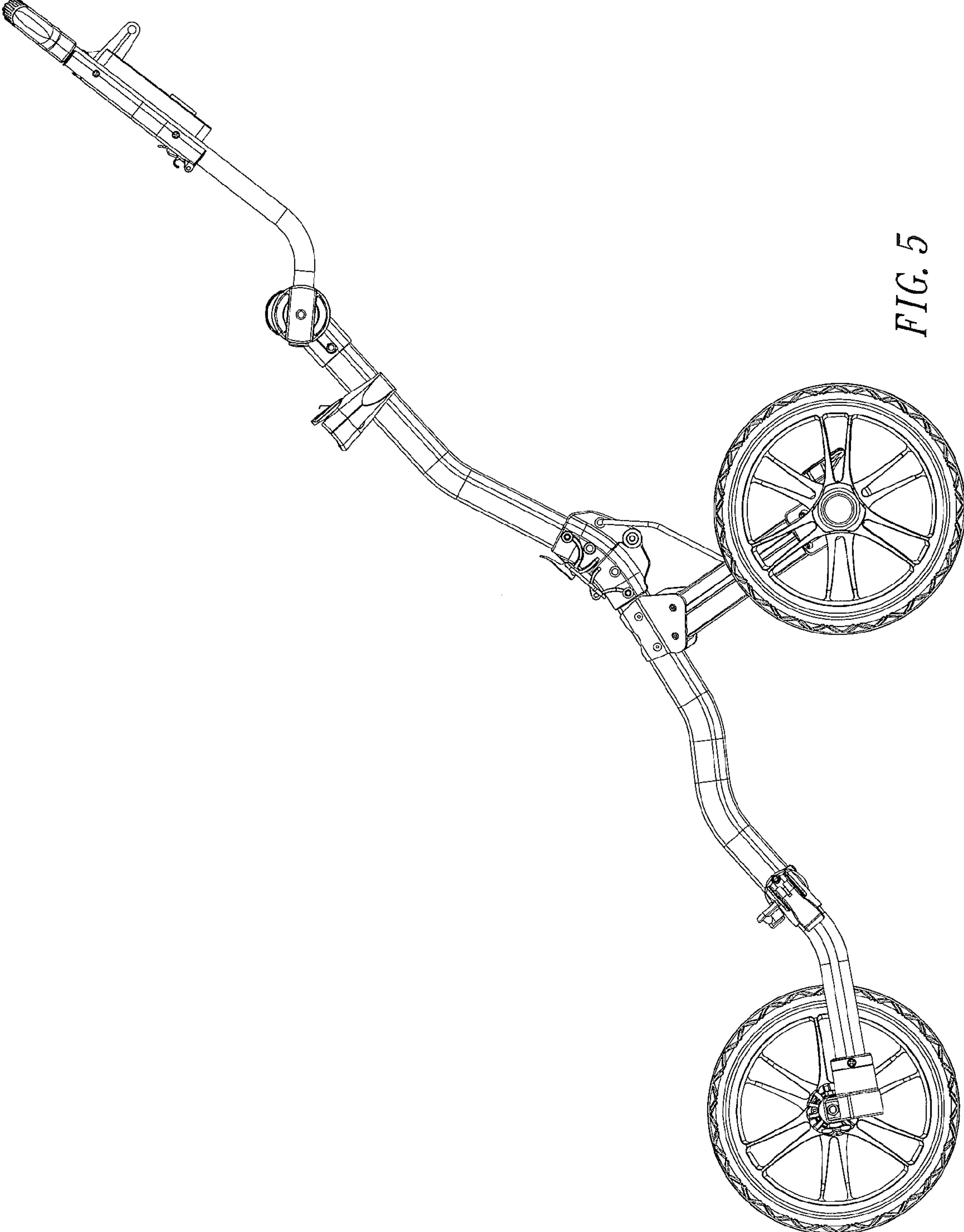


FIG. 5

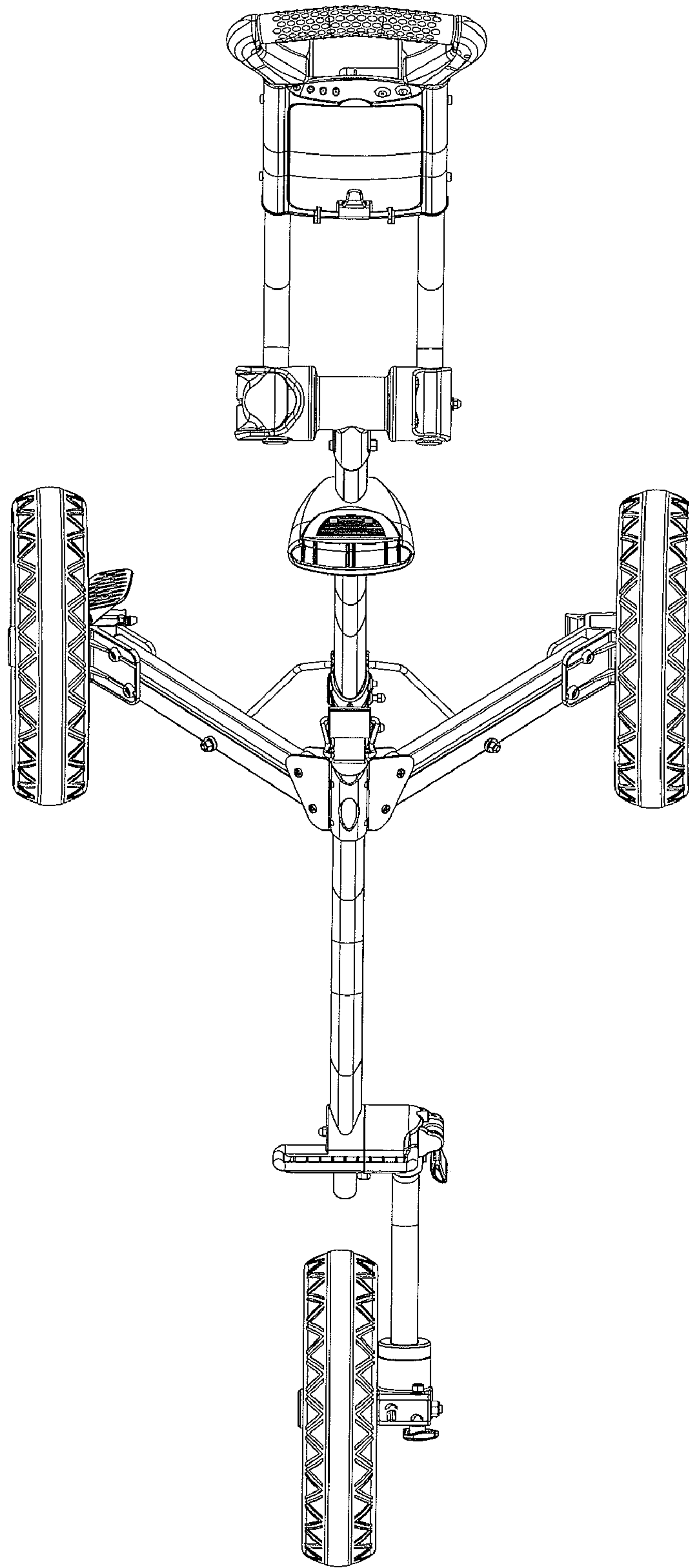


FIG. 6

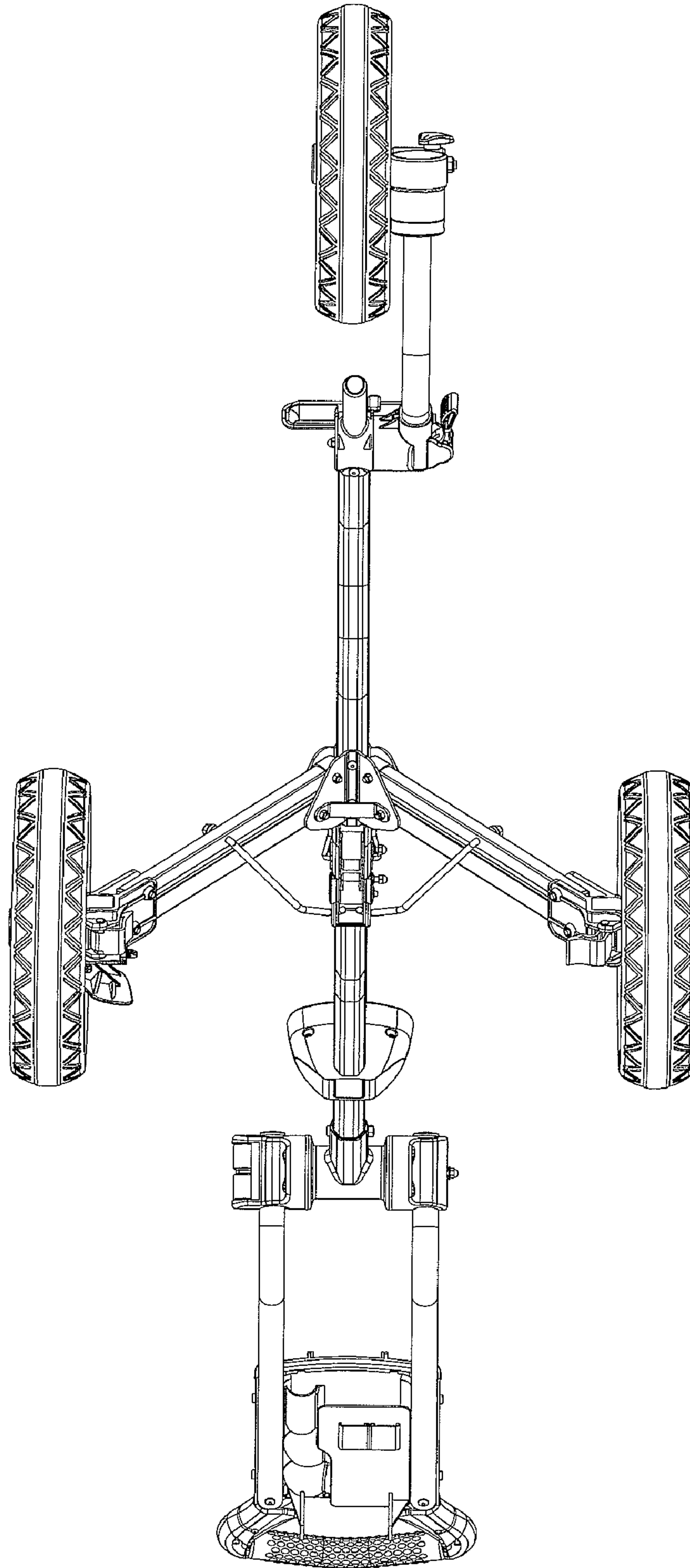


FIG. 7

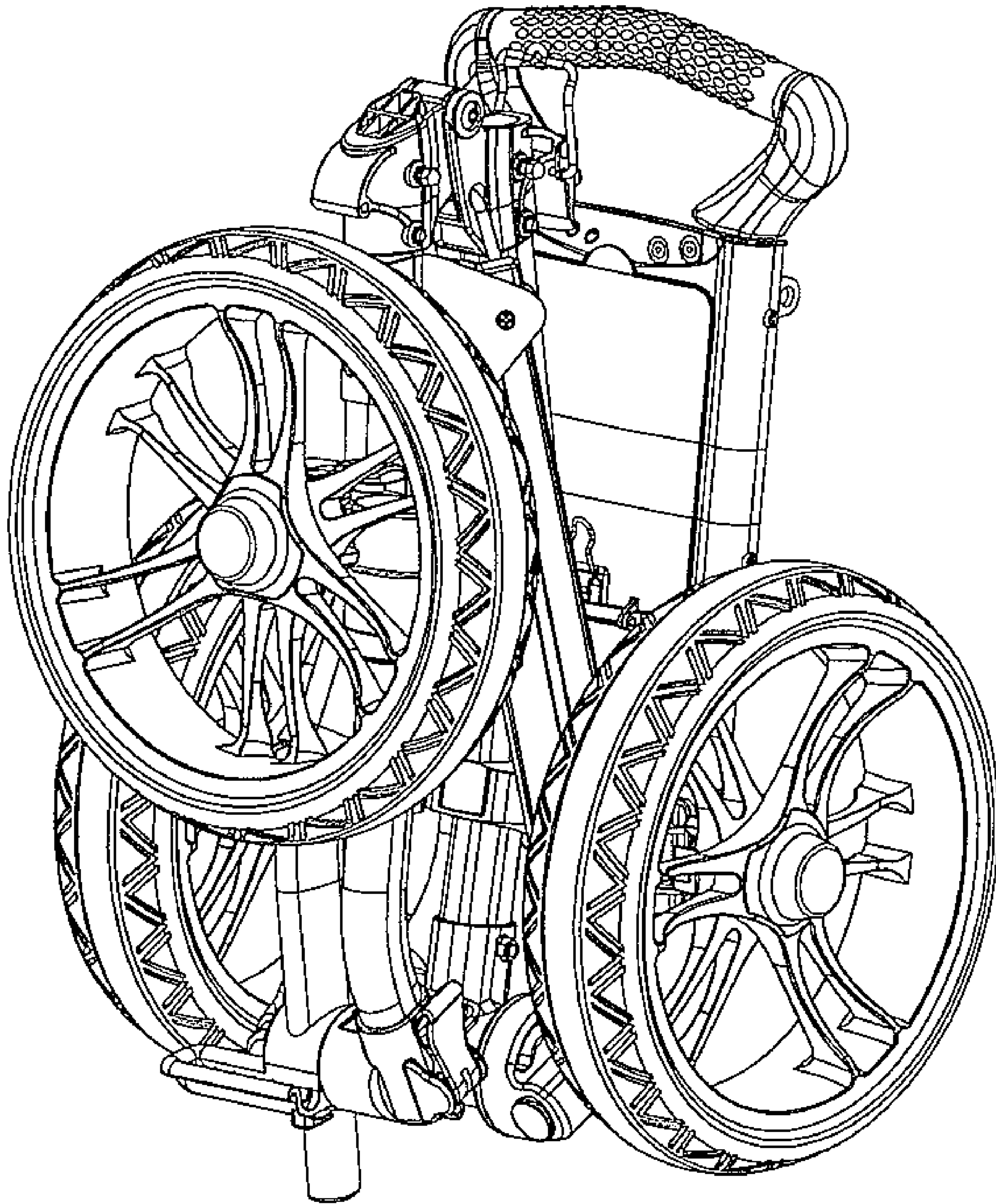


FIG. 8