



US00D632447S

(12) **United States Design Patent**
Lutz

(10) **Patent No.:** **US D632,447 S**

(45) **Date of Patent:** **** Feb. 8, 2011**

(54) **HANDHELD BAG HOLDER**

(76) Inventor: **Eugene D. Lutz**, 4450 NE. 24th Ter.,
Lighthouse Pointe, FL (US) 33064

(**) Term: **14 Years**

(21) Appl. No.: **29/357,230**

(22) Filed: **Mar. 9, 2010**

(51) **LOC (9) Cl.** **09-09**

(52) **U.S. Cl.** **D34/6**

(58) **Field of Classification Search** D34/1,
D34/5, 6; 248/95, 97, 98, 99, 100, 101; D32/35;
383/33; 15/1.7

See application file for complete search history.

(56) **References Cited**

U.S. PATENT DOCUMENTS

| | | | | | |
|-----------|------|---------|-------------|-------|--------|
| 3,848,841 | A * | 11/1974 | Rafeldt | | 248/99 |
| D324,441 | S * | 3/1992 | Werner | | D34/5 |
| D367,746 | S * | 3/1996 | Walker, Jr. | | D34/5 |
| 5,947,602 | A * | 9/1999 | Coxsey | | 383/33 |
| D420,480 | S * | 2/2000 | Necaise | | D34/6 |
| D426,364 | S * | 6/2000 | King | | D34/6 |
| D457,283 | S * | 5/2002 | Wayt | | D34/6 |
| D460,234 | S * | 7/2002 | King | | D34/6 |
| 7,753,322 | B1 * | 7/2010 | Peterson | | 248/99 |

* cited by examiner

Primary Examiner—Cynthia E Ramirez

(74) *Attorney, Agent, or Firm*—Gold & Rizvi, P.A.; Glenn E. Gold; H. John Rizvi

(57) **CLAIM**

I claim the ornamental design for a handheld bag holder, as shown and described.

DESCRIPTION

FIG. 1 is an isometric top, front view of the handheld bag holder showing my new design in use, having a bag installed upon the bag holder, wherein broken lines are used for illustrating the bag and hand grip details and do not form any part of the design;

FIG. 2 is an isometric top, front view of the handheld bag holder thereof;

FIG. 3 is an isometric bottom, front thereof;

FIG. 4 is a front view thereof;

FIG. 5 is a left side view thereof;

FIG. 6 is a rear view thereof;

FIG. 7 is a right side view thereof;

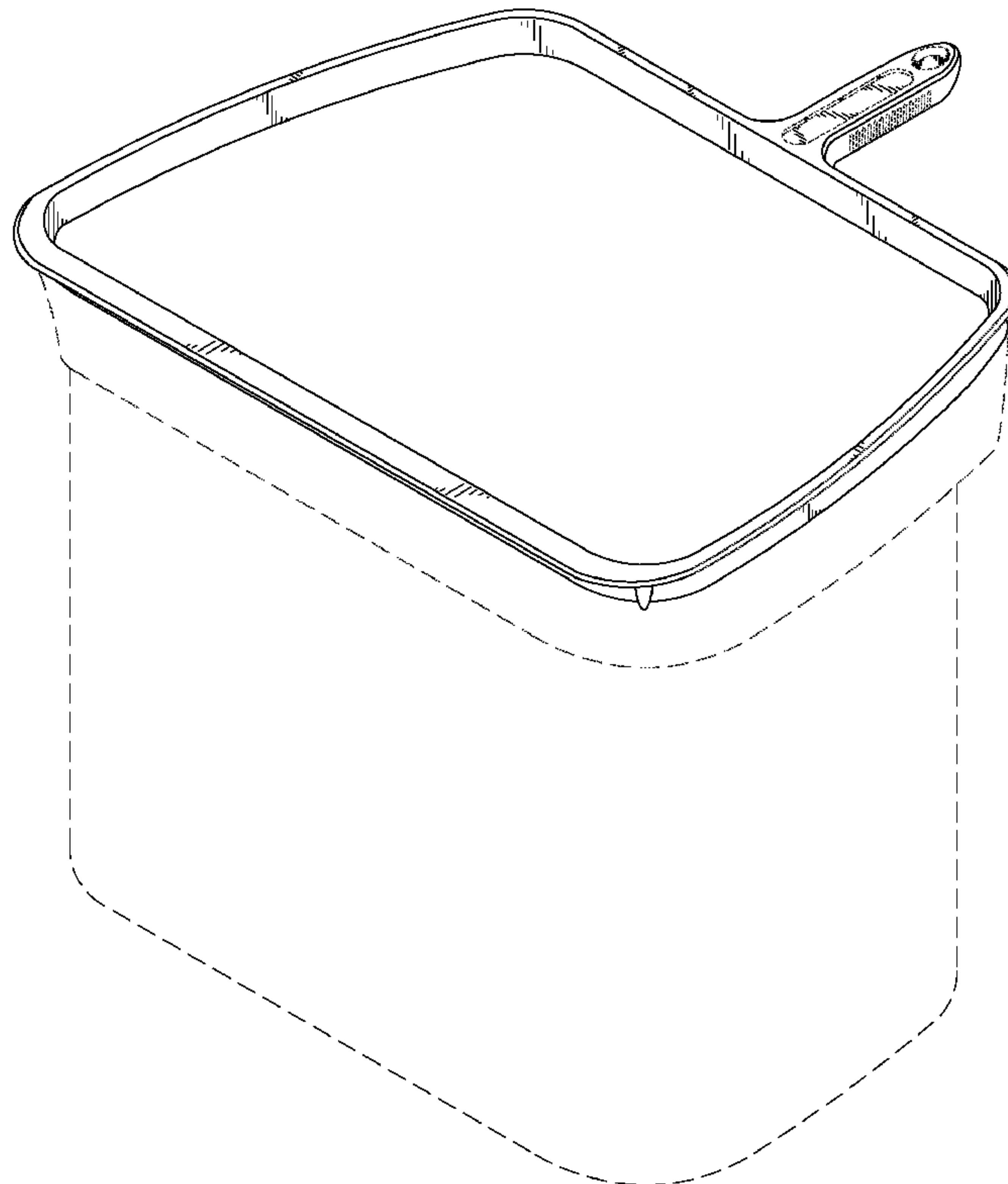
FIG. 8 is a planar top view thereof;

FIG. 9 is a planar bottom view thereof;

FIG. 10 is a magnified elevation side view of a portion of the handheld bag holder detailing a rear tooth; and,

FIG. 11 is a magnified elevation rear corner view of a portion of the rear tooth thereof.

1 Claim, 7 Drawing Sheets



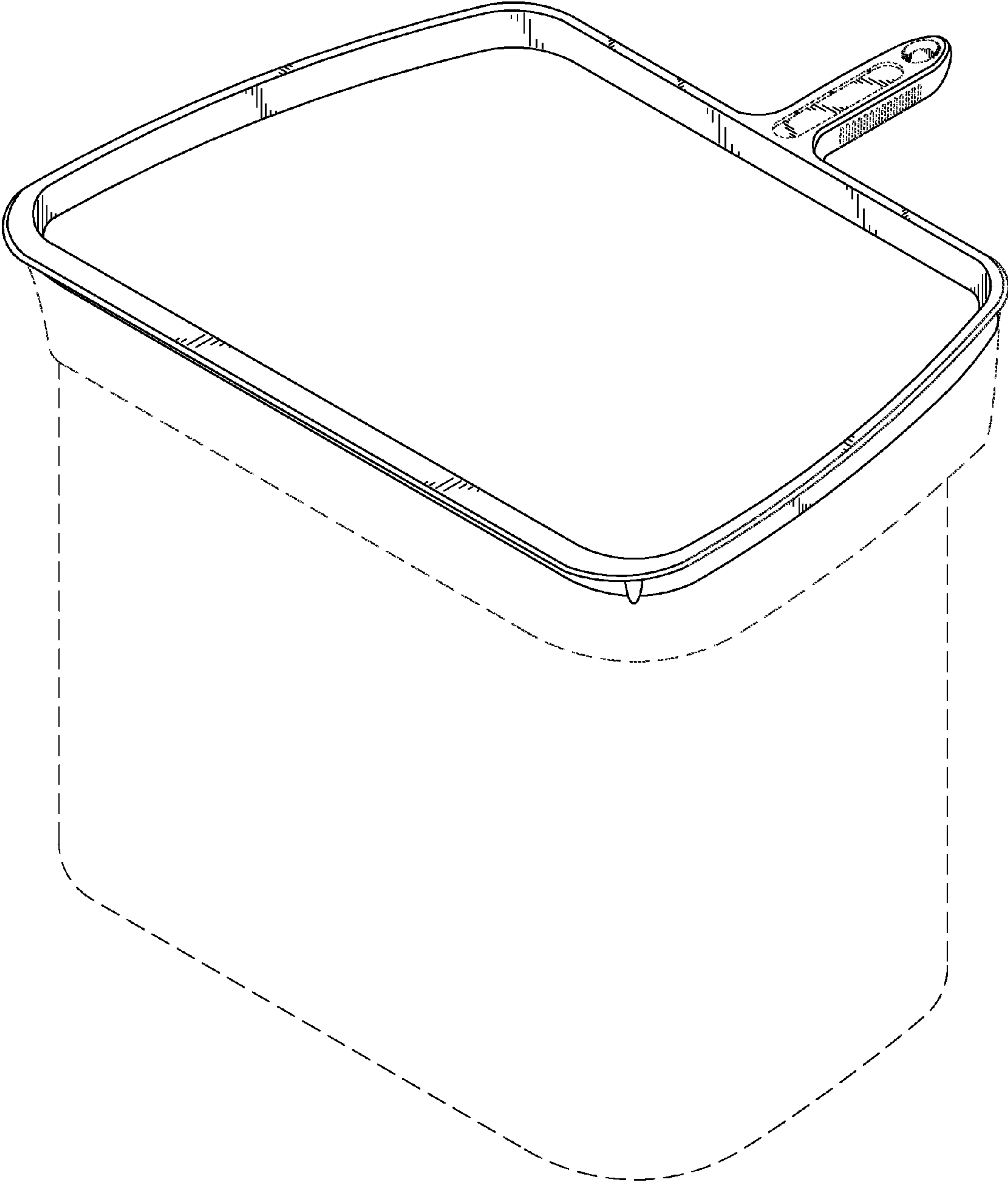


FIG. 1

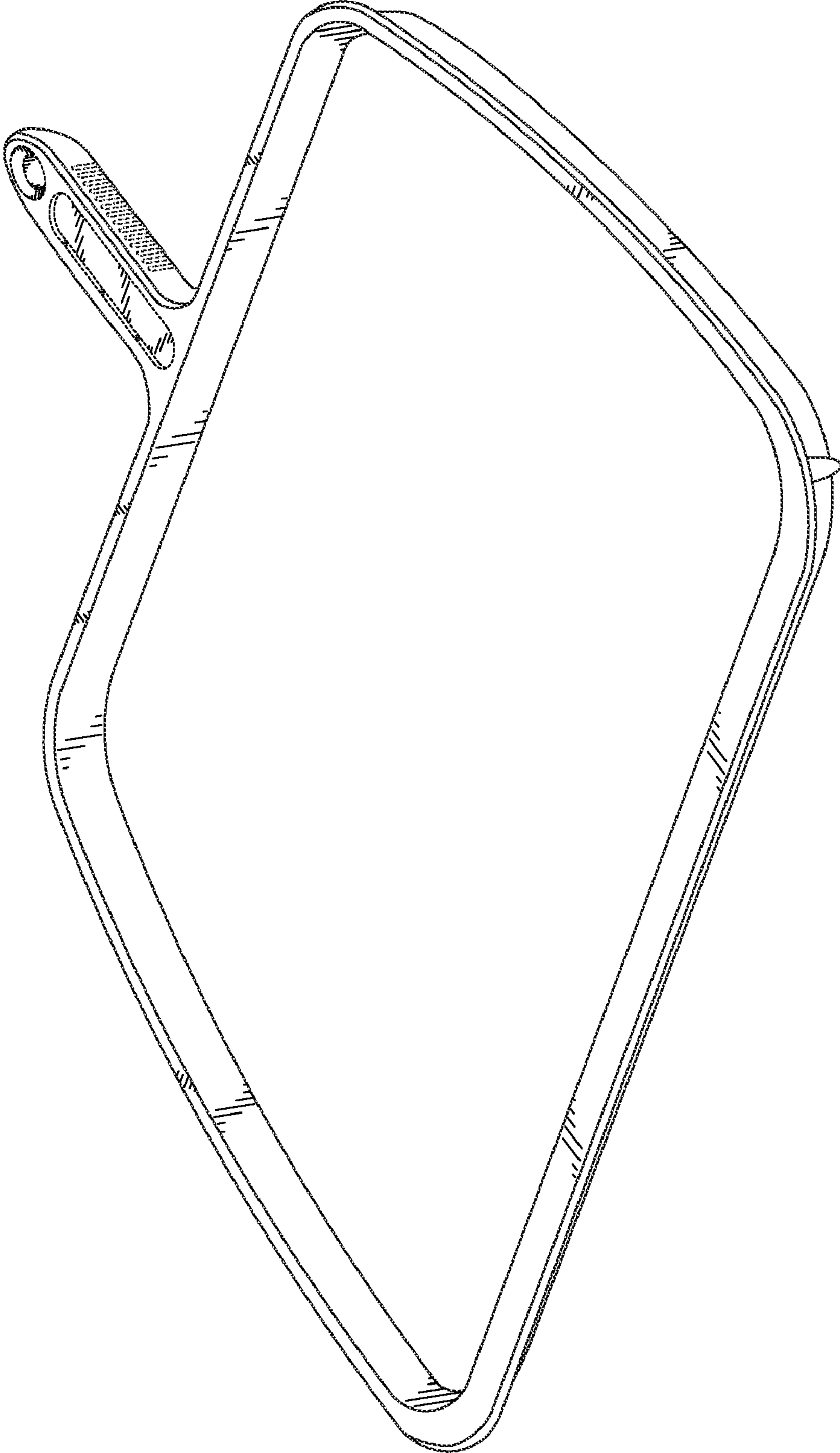


FIG. 2

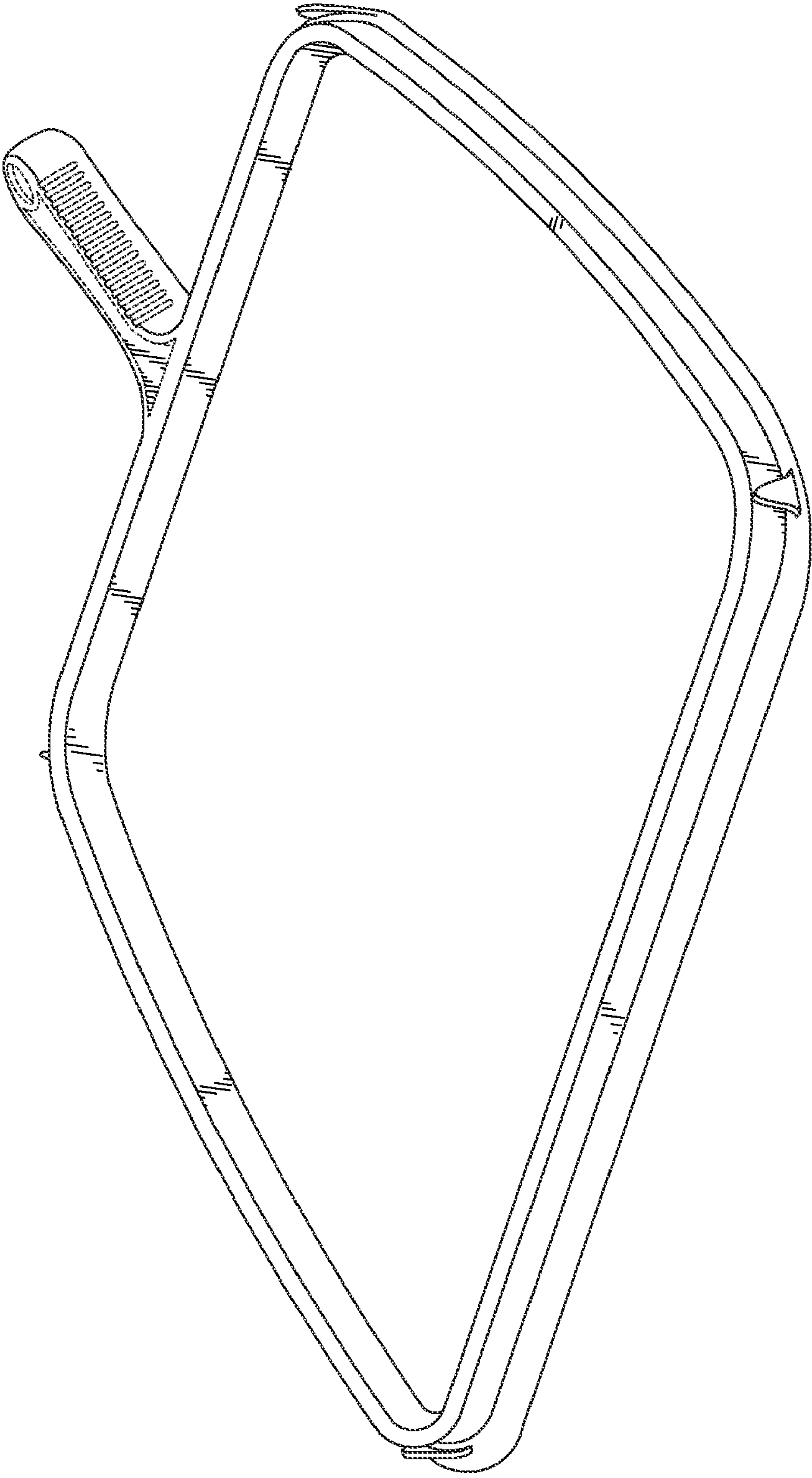


FIG. 3



FIG. 4



FIG. 5



FIG. 6



FIG. 7

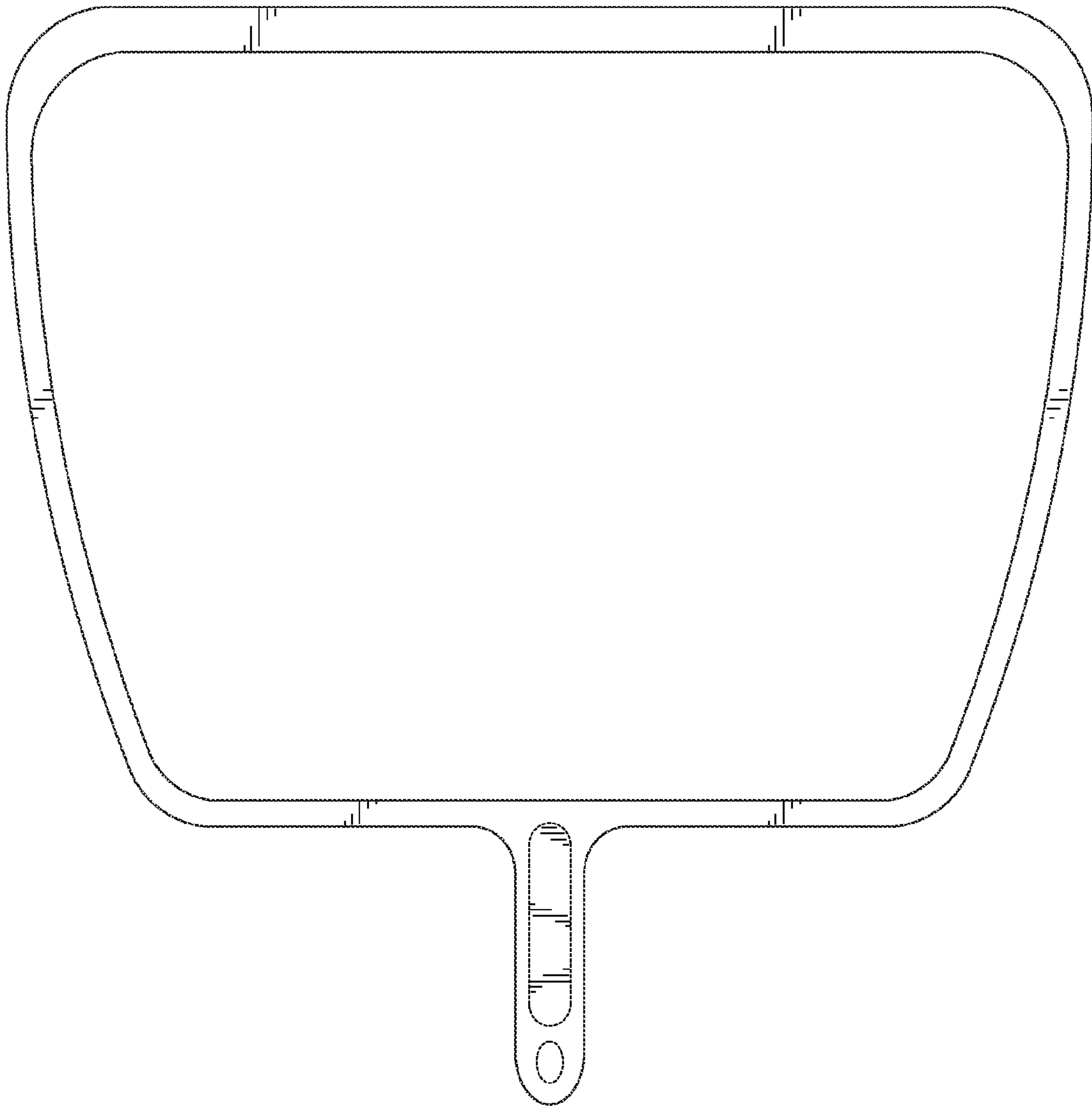


FIG. 8

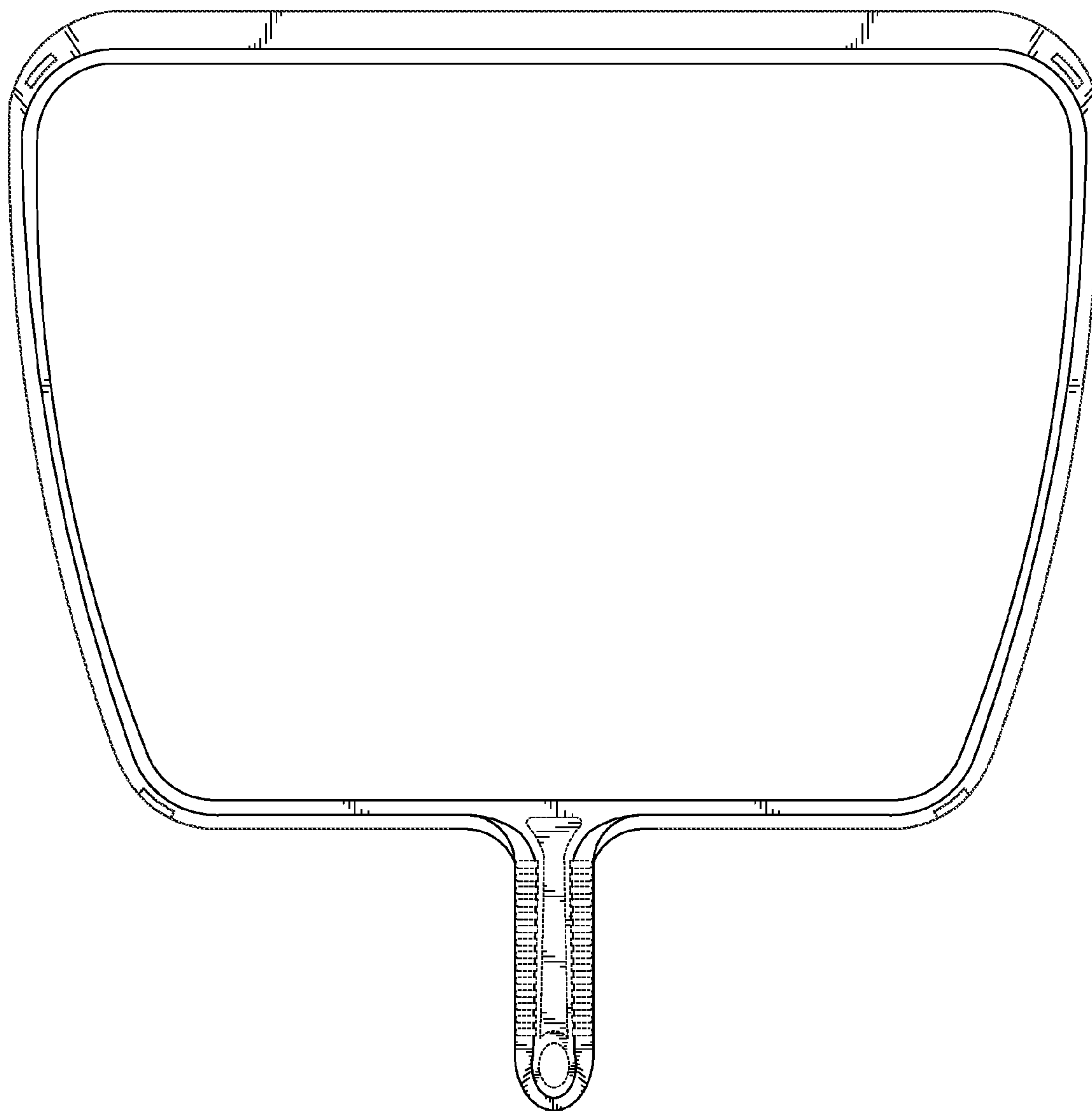


FIG. 9

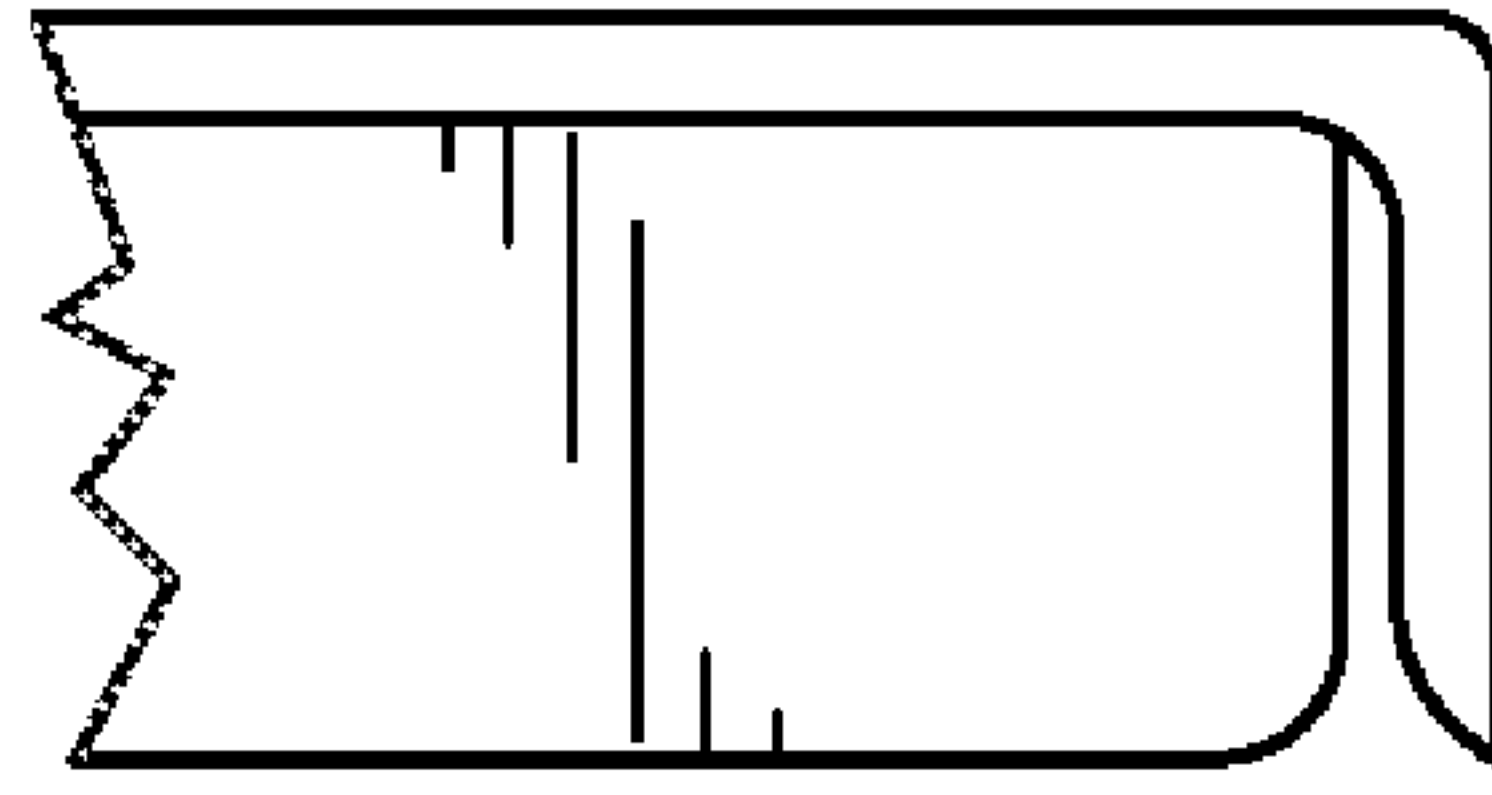


FIG. 10

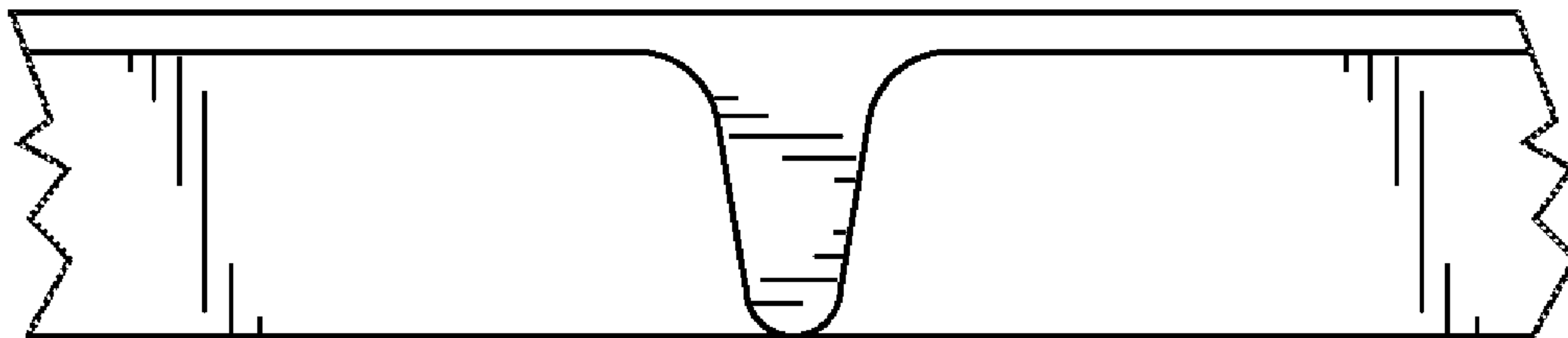


FIG. 11