



US00D632434S

(12) **United States Design Patent**
Maguire et al.

(10) **Patent No.:** **US D632,434 S**
(45) **Date of Patent:** **** Feb. 8, 2011**

(54) **PERSONAL GROOMING DEVICE**
(75) Inventors: **Patrick Maguire**, Mt. Horeb, WI (US);
Frank Mercurio, Madison, WI (US);
James M. O'Neil, Madison, WI (US);
James R. Patullo, Middleton, WI (US);
David H. Roland, Middleton, WI (US);
Paul A. Schmitt, Madison, WI (US)

(73) Assignee: **Rovcal, Inc.**, Madison, WI (US)

(**) Term: **14 Years**

(21) Appl. No.: **29/341,645**

(22) Filed: **Aug. 10, 2009**

(51) **LOC (9) Cl.** **28-03**

(52) **U.S. Cl.** **D28/51**

(58) **Field of Classification Search** D28/44–54;
30/42–541, DIG. 1, DIG. 2, 346–357

See application file for complete search history.

(56) **References Cited**

U.S. PATENT DOCUMENTS

- D316,162 S * 4/1991 Ullmann D28/49
- D319,895 S * 9/1991 Ullmann D28/49
- 5,189,792 A 3/1993 Otsuka et al.
- 5,386,631 A 2/1995 Van Asten et al.
- 5,461,782 A 10/1995 Rauch
- D367,945 S 3/1996 Ullmann
- 5,539,984 A 7/1996 Ikuta et al.
- D373,852 S * 9/1996 Ullmann D28/49
- D374,501 S * 10/1996 Ullmann D28/49
- 5,560,104 A * 10/1996 Bruggers et al. 30/43.92
- D386,822 S 11/1997 Van Scoyoc et al.
- D388,542 S 12/1997 Ullmann
- D389,602 S 1/1998 Lebherz
- D389,956 S 1/1998 Schulz
- D391,676 S 3/1998 Sulik
- D405,230 S 2/1999 Akashi et al.
- D407,532 S 3/1999 Jacobs
- D407,852 S 4/1999 Van Asten
- D421,667 S 3/2000 Ullmann
- D422,118 S 3/2000 Kitagawa et al.

- 6,052,904 A * 4/2000 Wetzel et al. 30/43.92
- D425,252 S 5/2000 Ullmann
- D426,346 S 6/2000 Ullmann
- D429,376 S 8/2000 Nagano et al.
- D447,601 S 9/2001 Andrew et al.
- D456,564 S 4/2002 Ullmann
- D463,883 S 10/2002 van Asten
- D471,671 S 3/2003 Nishizawa
- D477,113 S 7/2003 Muramatsu et al.
- D479,359 S 9/2003 Maesawa et al.
- D479,360 S 9/2003 Nishizawa et al.
- D479,361 S 9/2003 Micinilio
- D481,491 S 10/2003 Nishizawa et al.
- D482,822 S 11/2003 Buck, Jr. et al.

(Continued)

FOREIGN PATENT DOCUMENTS

JP 10216375 A * 8/1998

(Continued)

Primary Examiner—Catherine Tuttle

(74) *Attorney, Agent, or Firm*—Banner & Witcoff, Ltd.

(57) **CLAIM**

The ornamental design for a personal grooming device, as shown and described.

DESCRIPTION

FIG. 1 is a perspective view of a personal grooming device showing our new design,

FIG. 2 is a front view thereof,

FIG. 3 is a rear view thereof,

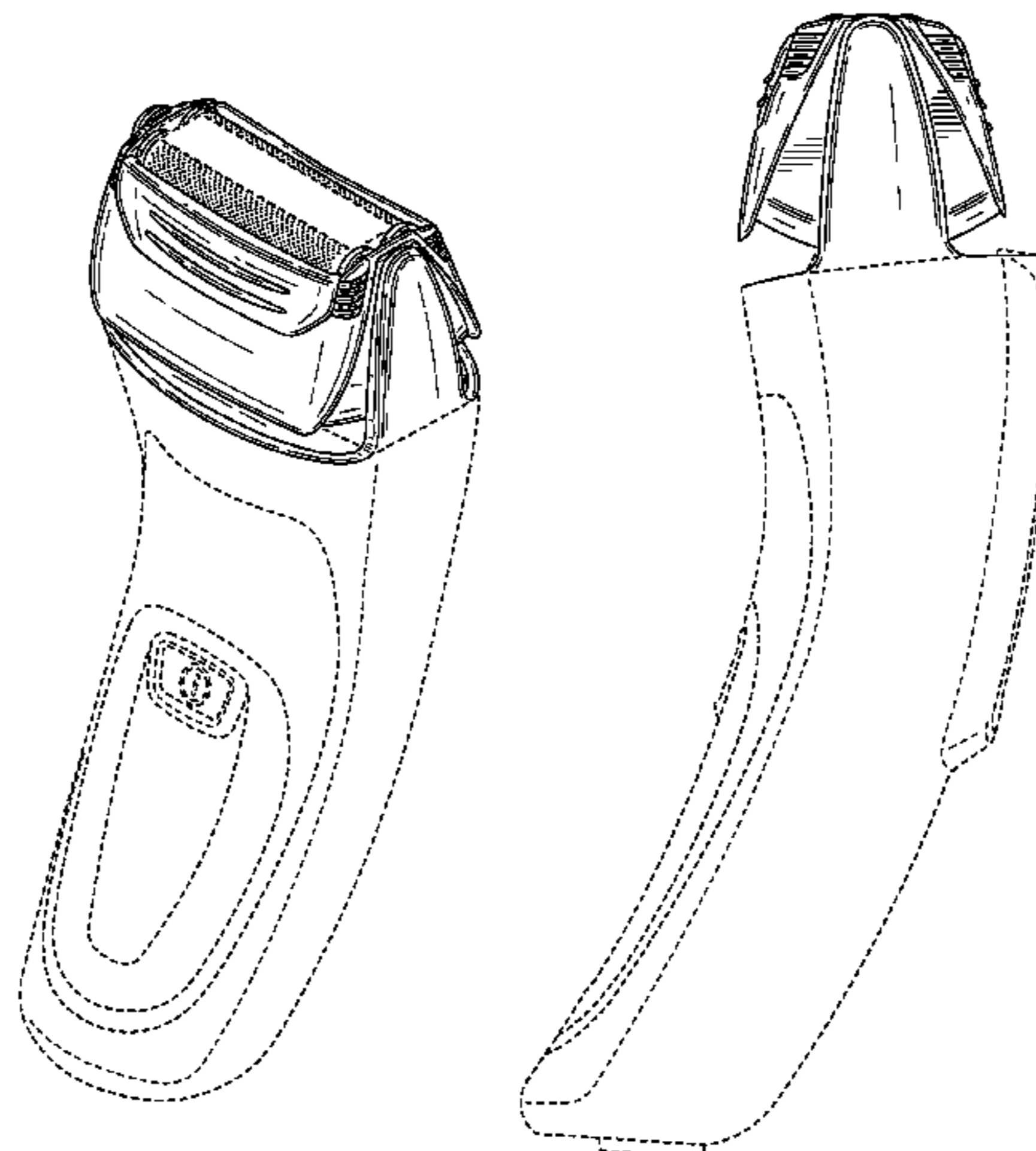
FIG. 4 is a left view thereof,

FIG. 5 is a right view thereof; and,

FIG. 6 is top view thereof.

The broken lines are included for the purpose of illustrating portions of the personal grooming device that form no part of the claimed design.

1 Claim, 6 Drawing Sheets



US D632,434 S

Page 2

U.S. PATENT DOCUMENTS

D489,486 S 5/2004 Ullmann
D495,832 S 9/2004 Maeda
D505,751 S 5/2005 Nagano
6,935,029 B2 8/2005 Morisugi et al.
D511,590 S 11/2005 Nishizawa
D512,183 S 11/2005 Nagano et al.
D512,531 S 12/2005 Khubani et al.
D513,541 S 1/2006 Nishizawa
D514,254 S 1/2006 Nishizawa
D514,745 S 2/2006 Nishizawa
D516,748 S 3/2006 Kling
D517,730 S 3/2006 Bauwens
D518,235 S 3/2006 Ullmann et al.
D520,682 S 5/2006 Butcher
D521,188 S 5/2006 Ullmann et al.
D522,176 S 5/2006 Ullmann et al.
D529,232 S 9/2006 Oh
D536,134 S 1/2007 Lee
D537,205 S 2/2007 Seki et al.
D549,874 S 8/2007 Nishizawa
D549,875 S 8/2007 Akahori et al.
D551,801 S 9/2007 Ullmann

7,302,759 B2 12/2007 Oh
D567,441 S 4/2008 Kling
7,350,300 B2 4/2008 Yamaguchi et al.
D571,956 S 6/2008 Nishizawa
D571,957 S 6/2008 Nishizawa
D572,408 S 7/2008 Nishizawa
7,437,821 B2 10/2008 Oh
D590,542 S 4/2009 Ullmann
D590,543 S 4/2009 Ullmann
D592,805 S 5/2009 Refior
2005/0274019 A1 12/2005 Inoue et al.
2006/0168816 A1 8/2006 Wetzell et al.
2006/0265880 A1 11/2006 Sagawa
2007/0022607 A1 2/2007 Takeuchi et al.
2008/0016694 A1 1/2008 Sato et al.
2008/0047145 A1 2/2008 Dietzel et al.
2008/0134514 A1 6/2008 Iwasaki et al.
2009/0158596 A1 6/2009 Ouchi et al.

FOREIGN PATENT DOCUMENTS

RU 00061818 * 2/2007

* cited by examiner

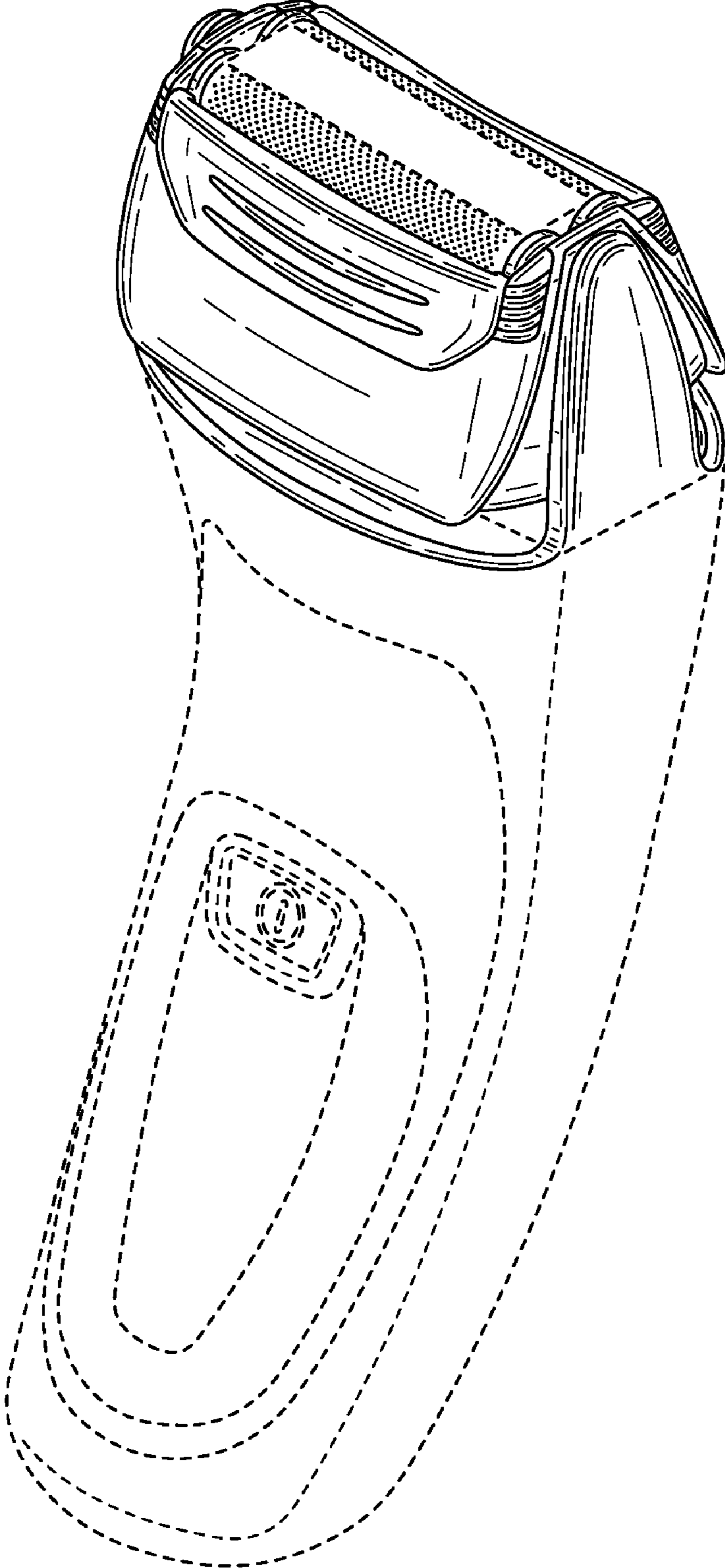


FIG. 1

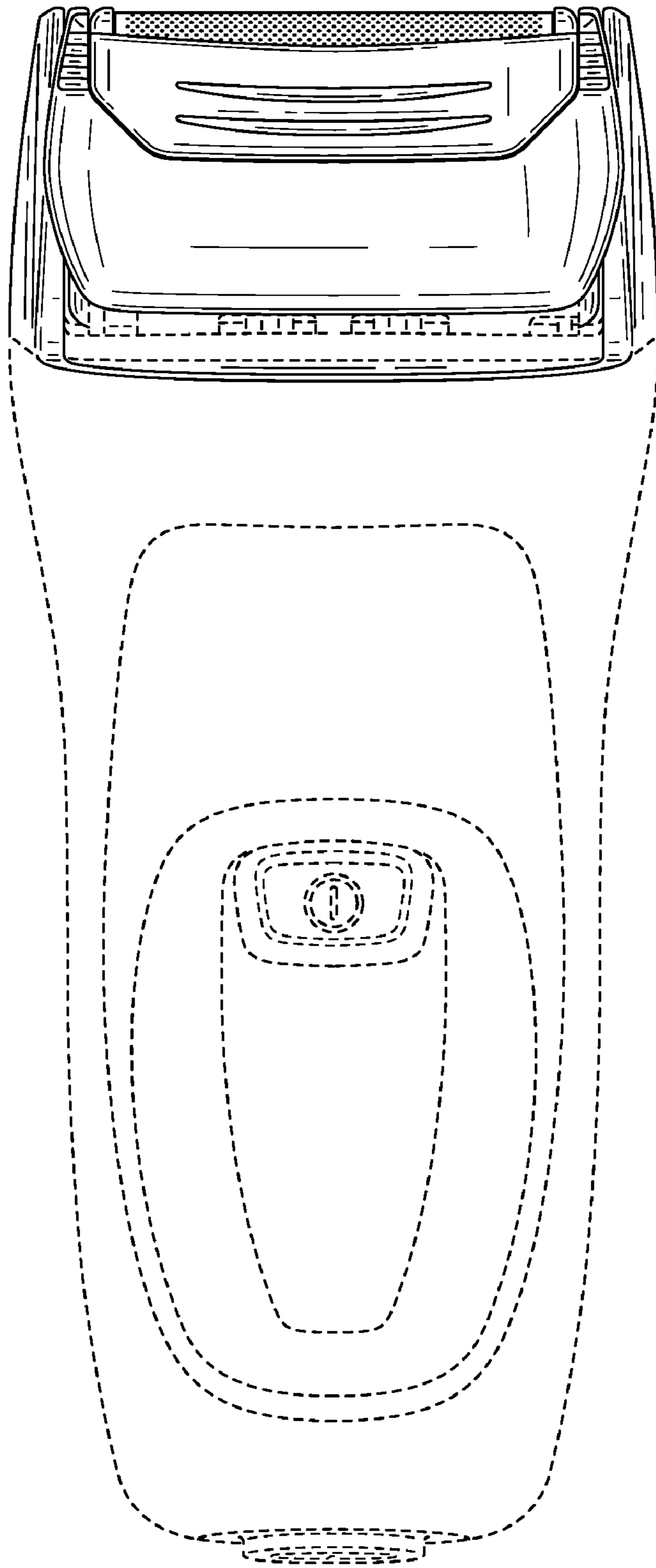


FIG. 2

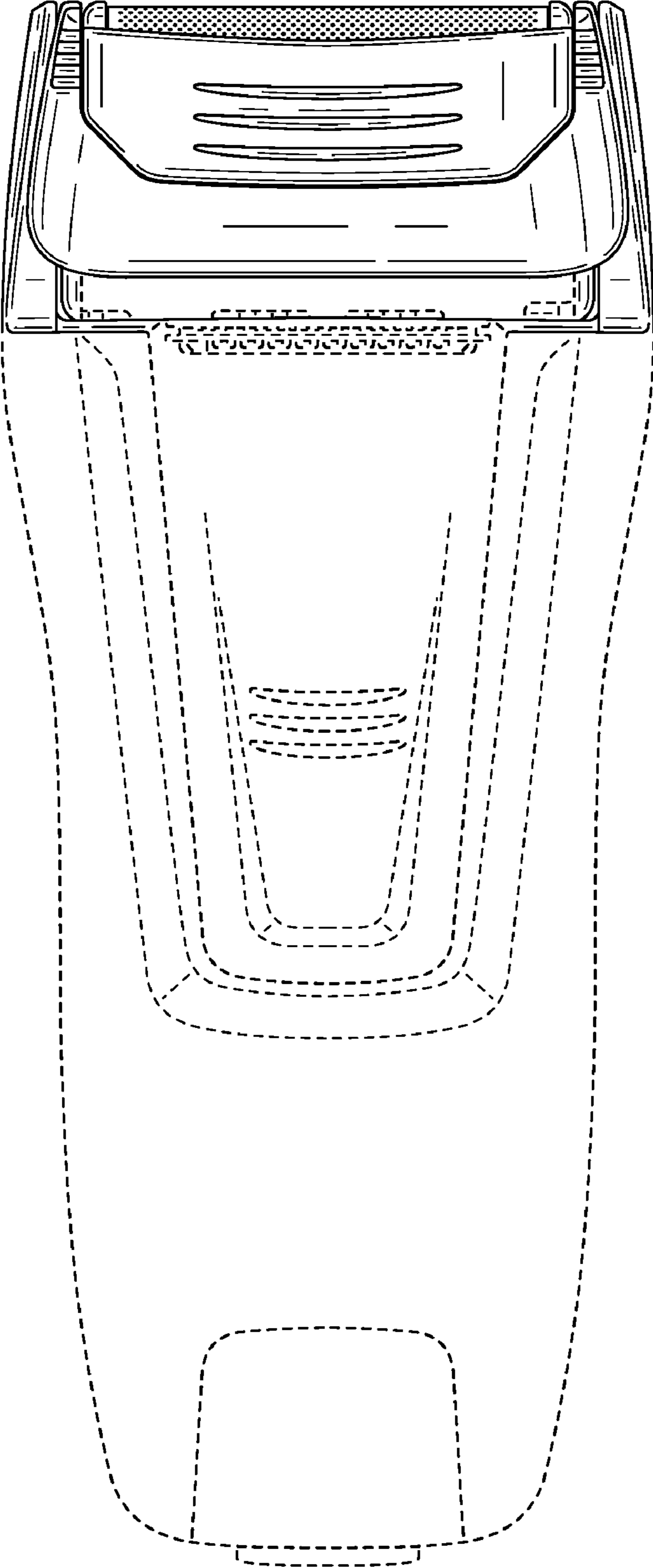


FIG. 3

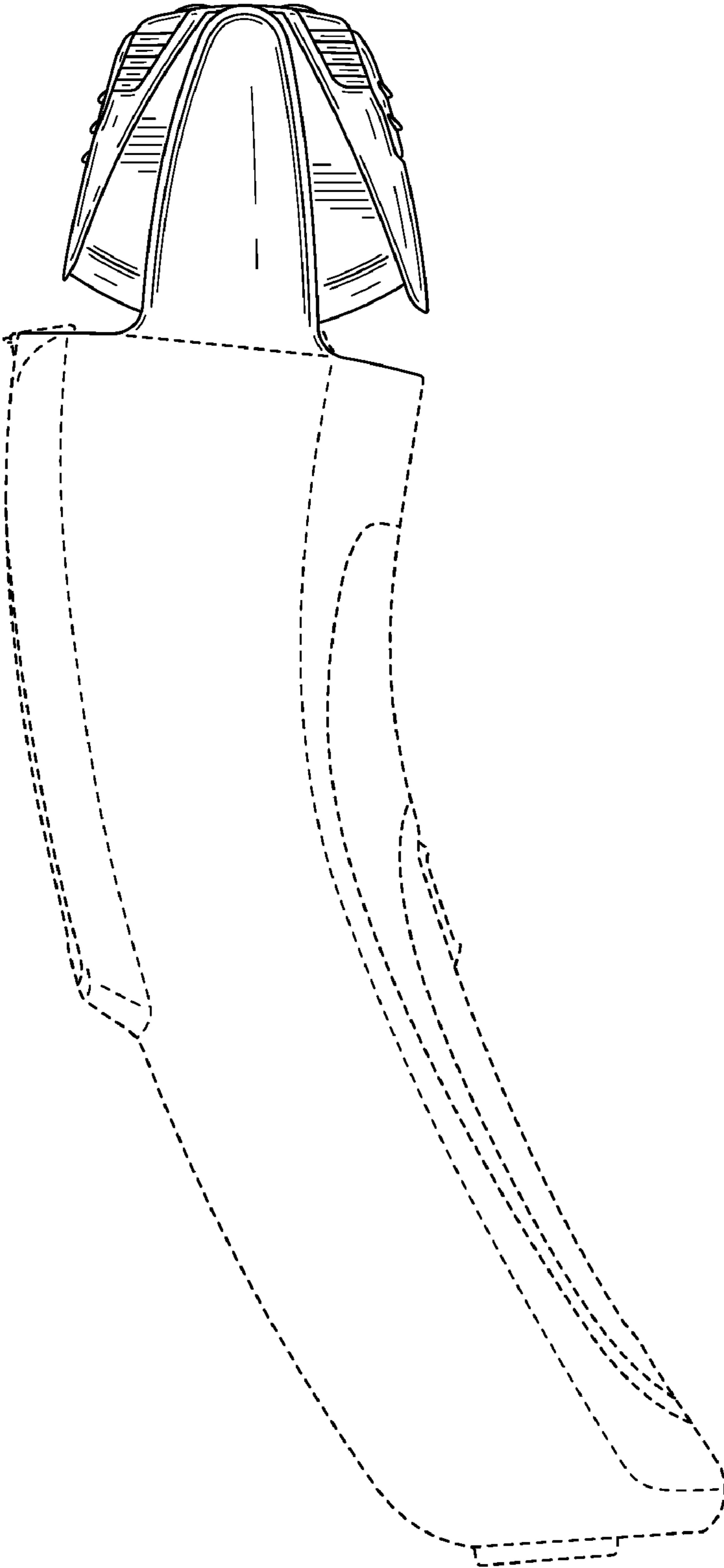


FIG. 4

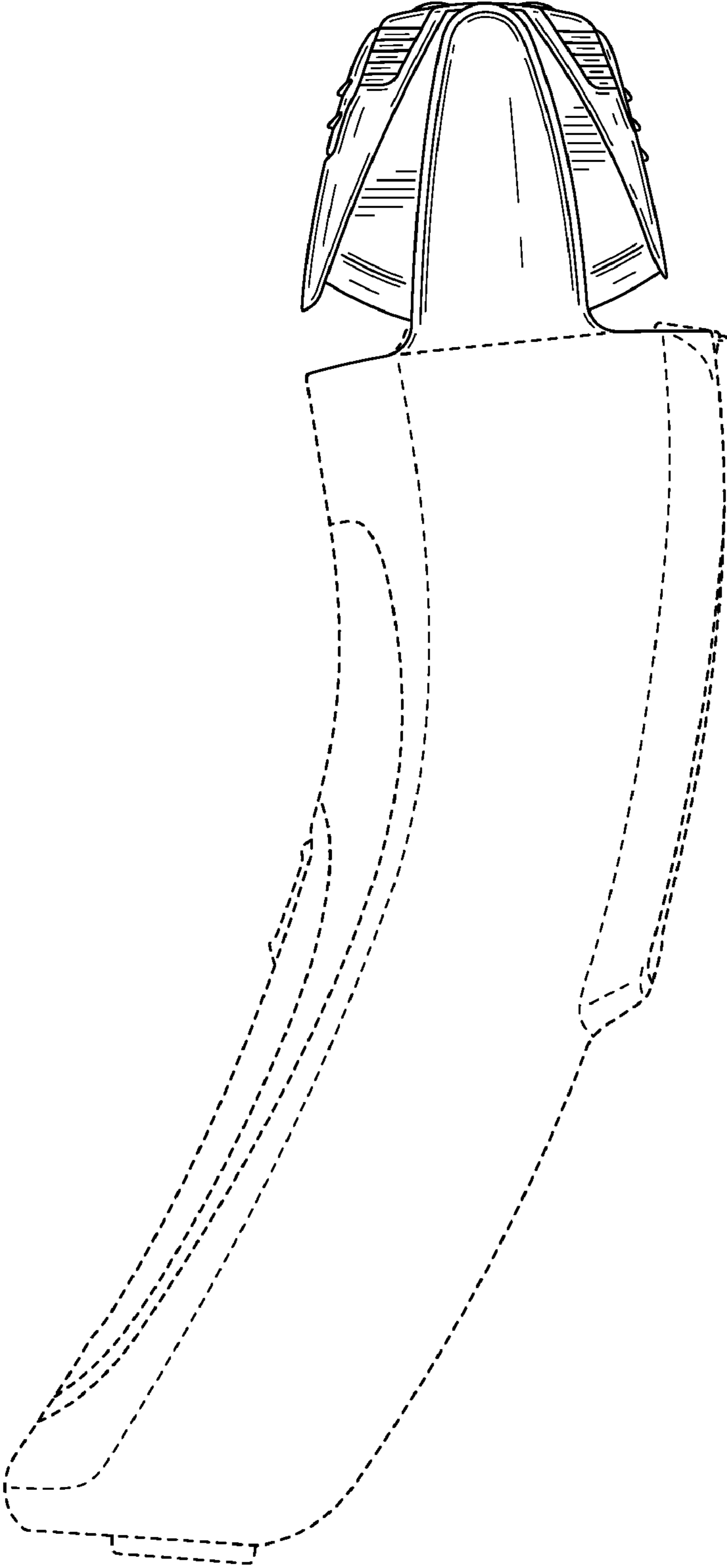


FIG. 5

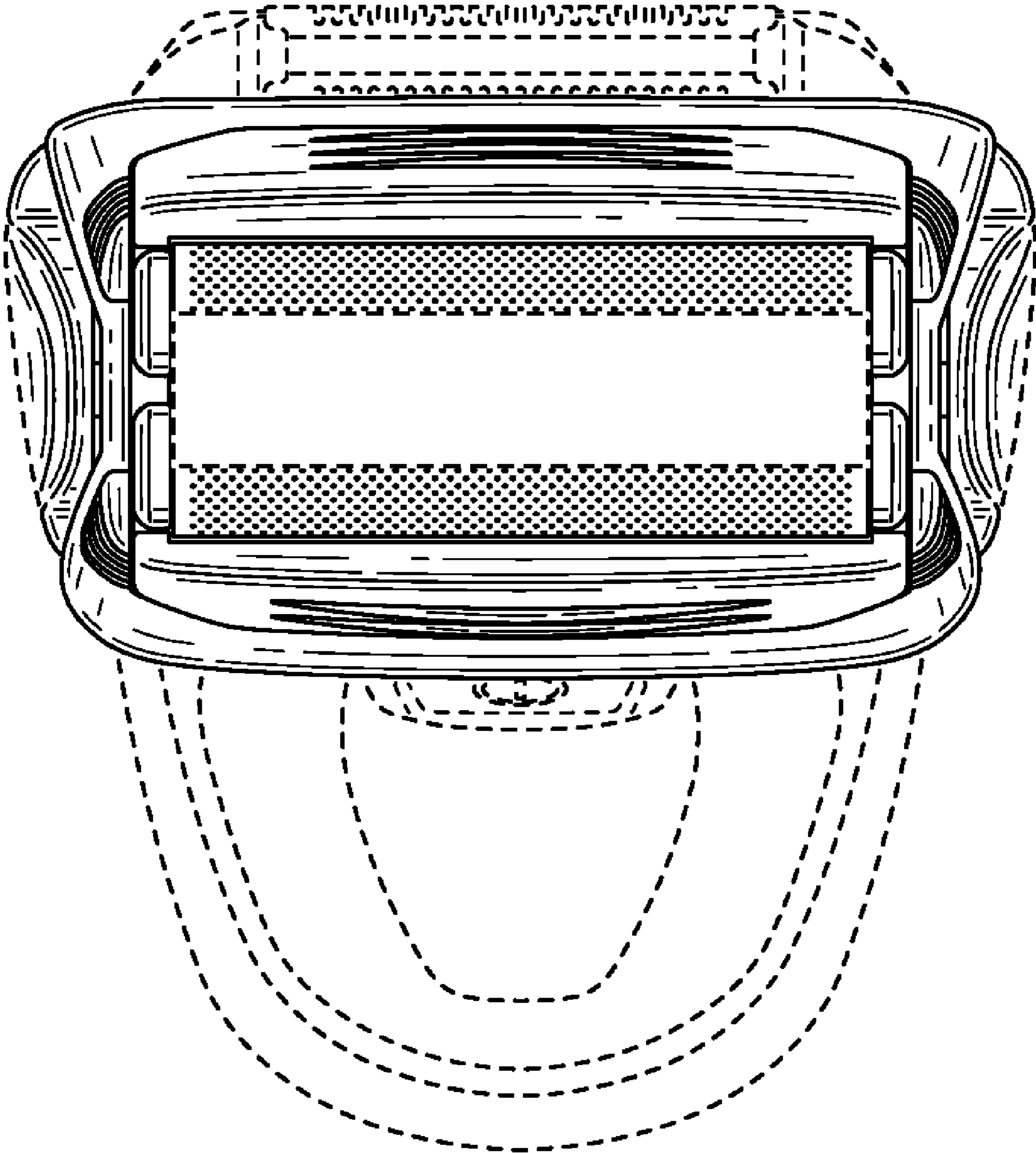


FIG. 6