



US00D632432S

(12) **United States Design Patent**
Holloway

(10) **Patent No.:** **US D632,432 S**

(45) **Date of Patent:** **** Feb. 8, 2011**

(54) **HAIR BOW MAKER**

(76) Inventor: **Shelley L. Holloway**, 118 Spencer
Landing West, LaPorte, TX (US) 77571

(**) Term: **14 Years**

(21) Appl. No.: **29/379,080**

(22) Filed: **Nov. 15, 2010**

Related U.S. Application Data

(63) Continuation-in-part of application No. 11/860,612,
filed on Sep. 25, 2007.

(51) **LOC (9) Cl.** **28-03**

(52) **U.S. Cl.** **D28/40**

(58) **Field of Classification Search** D28/31-34,
D28/39-43; 132/101, 126, 128-131, 144,
132/148, 219, 275-284; D11/184; D32/61
See application file for complete search history.

(56) **References Cited**

U.S. PATENT DOCUMENTS

3,250,282 A * 5/1966 Thatcher 132/277
D259,912 S * 7/1981 Tontarelli D32/61
D292,327 S * 10/1987 Kalichman D28/40
D340,328 S * 10/1993 Dragoneas et al. D32/61
D415,855 S * 10/1999 Fergusson D28/40

D429,030 S * 8/2000 Yasuda D28/40
D454,657 S * 3/2002 Lau D28/40
D464,465 S * 10/2002 Yasuda D28/40
2009/0032044 A1 * 2/2009 Grimm 132/200

* cited by examiner

Primary Examiner—Janice E Seeger

Assistant Examiner—Zenita I Bennett

(74) *Attorney, Agent, or Firm*—Donald J. Ersler

(57) **CLAIM**

The ornamental design for a hair bow maker, as shown and described.

DESCRIPTION

FIG. 1 is a perspective view of a hair bow maker incorporating my new design;

FIG. 2 is a right side view thereof;

FIG. 3 is a left side view thereof;

FIG. 4 is a front elevation view thereof;

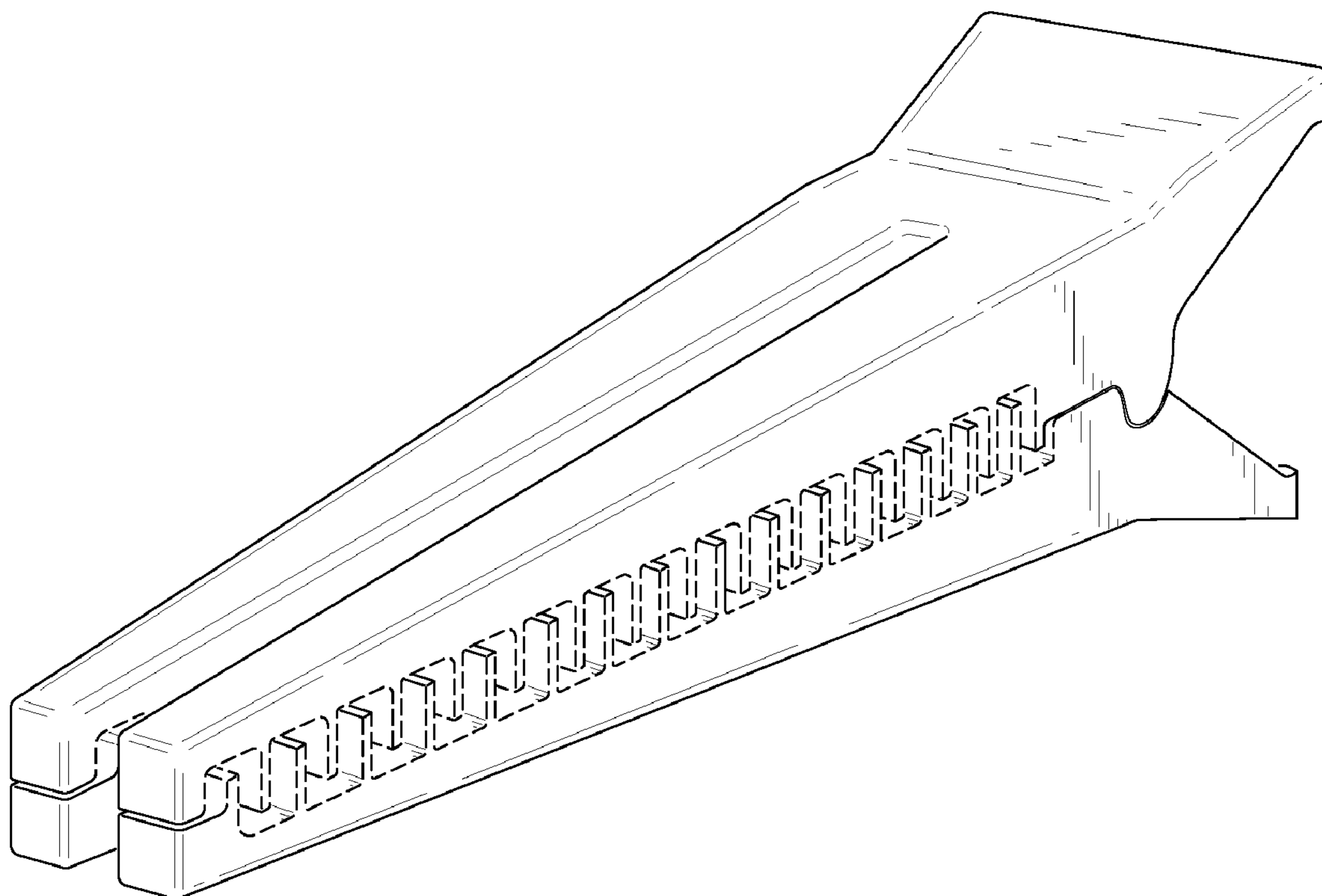
FIG. 5 is a rear elevation view thereof;

FIG. 6 is a bottom plan view thereof; and,

FIG. 7 is a top plan view.

The broken lines in the drawing are for illustrative purposes only and form no part of the claimed design.

1 Claim, 4 Drawing Sheets



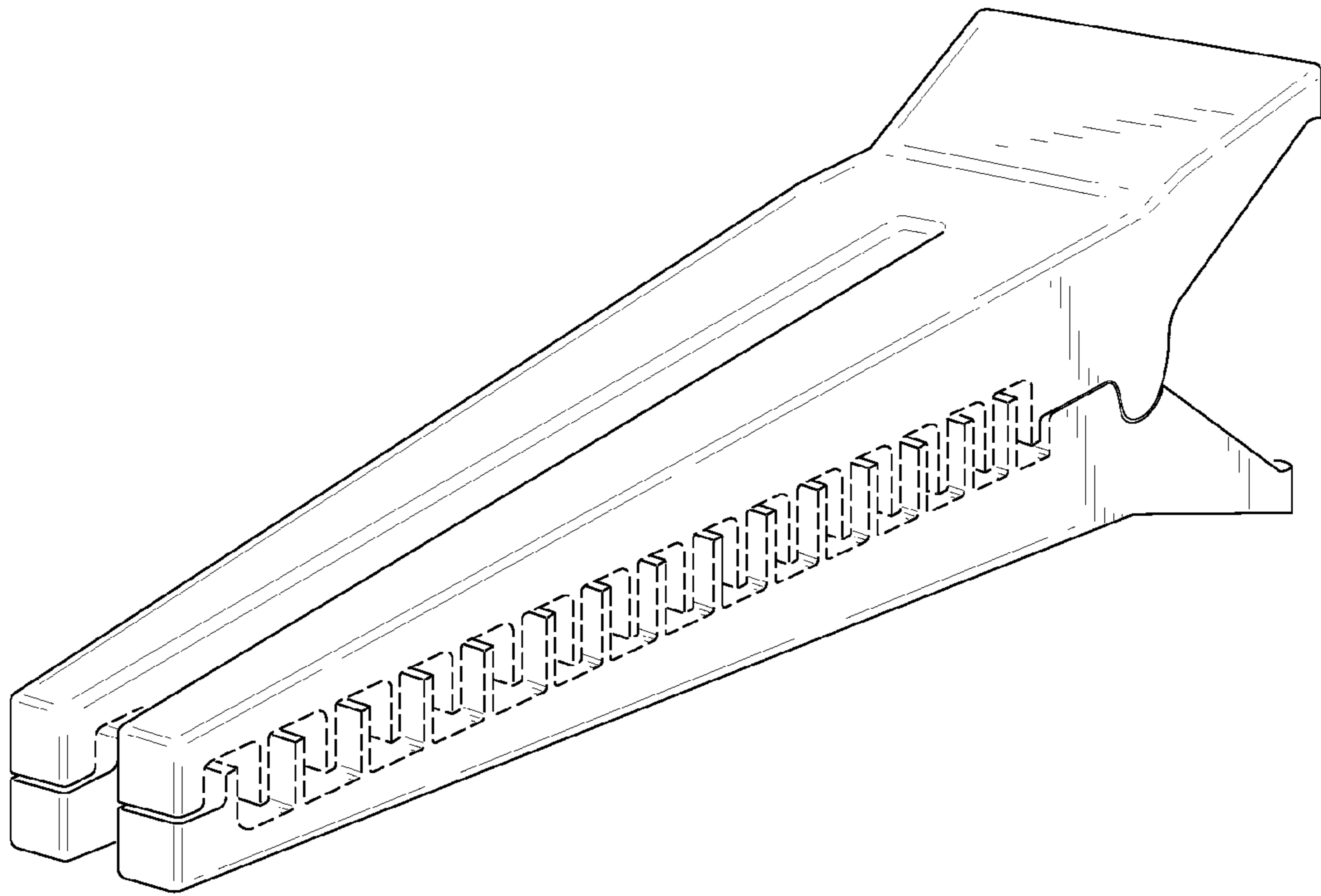


FIG. 1

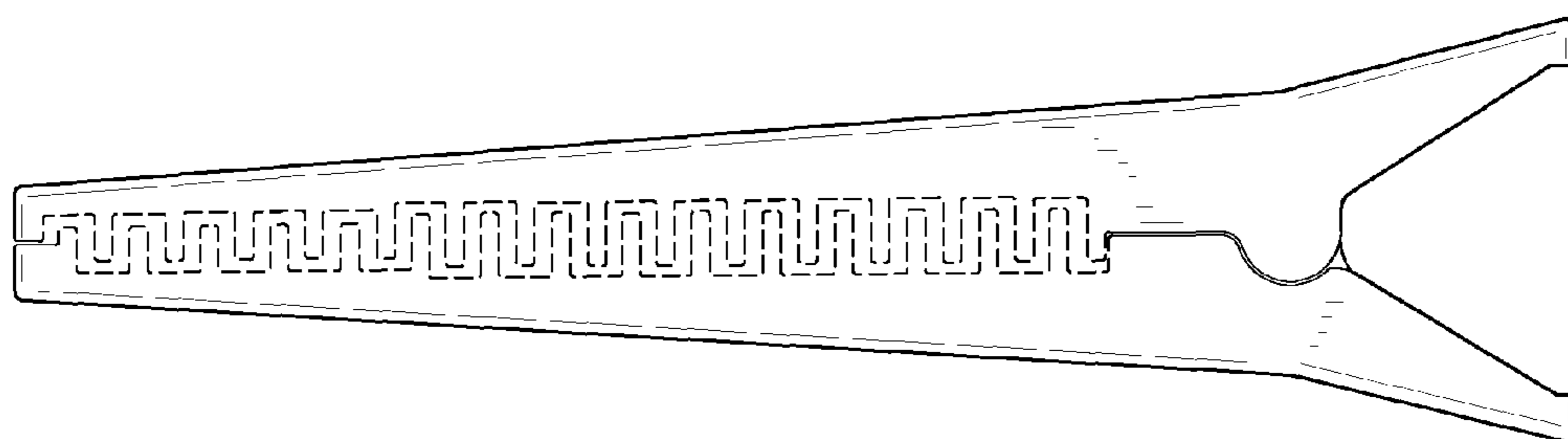


FIG. 2

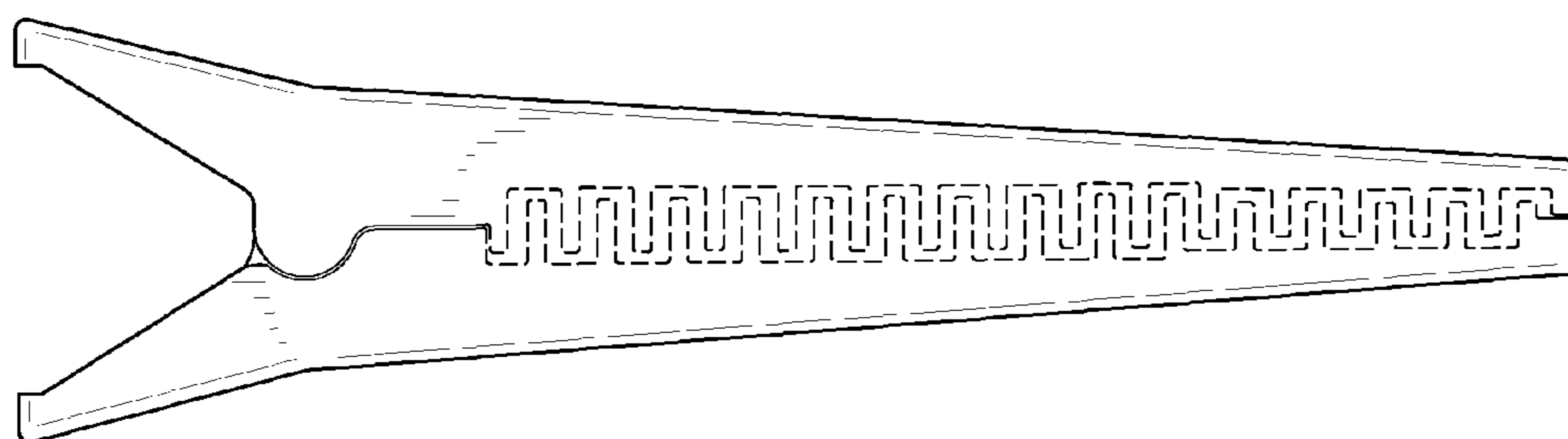


FIG. 3

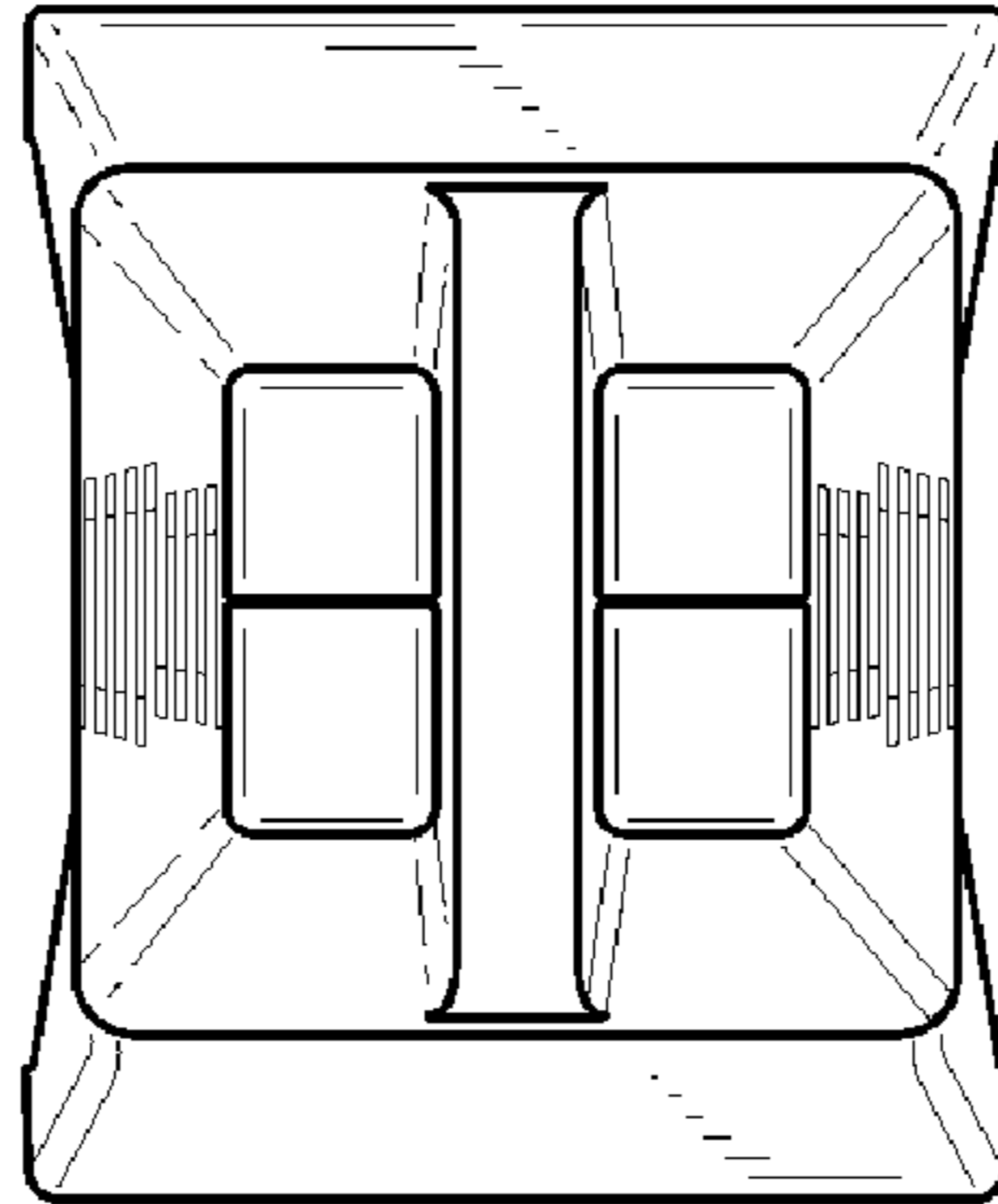


FIG. 4

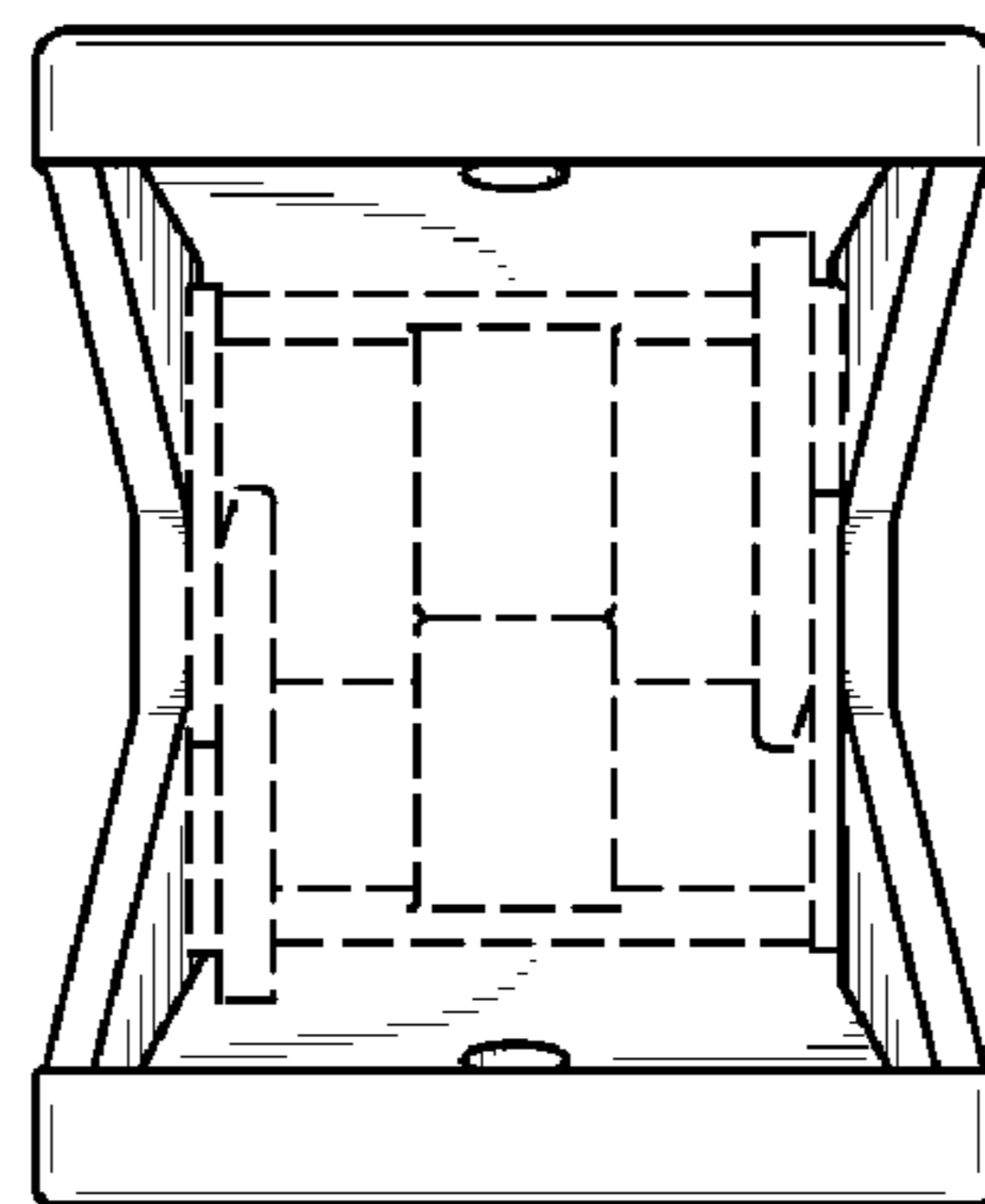


FIG. 5

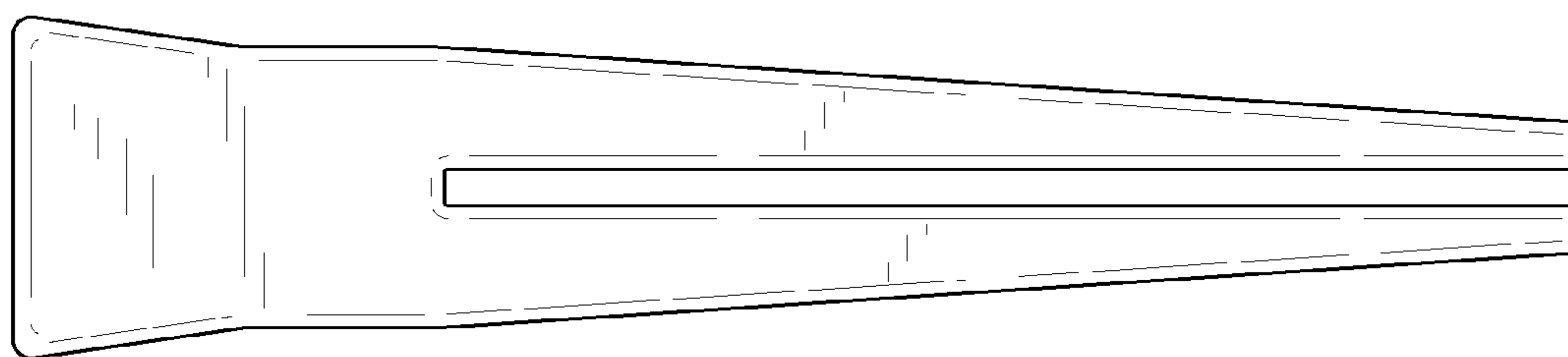


FIG. 6

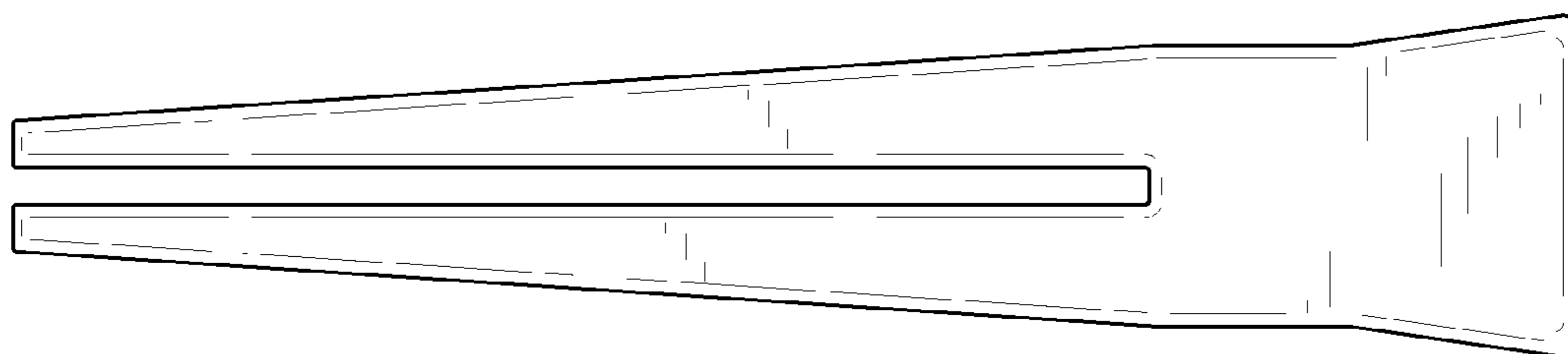


FIG. 7