



US00D632423S

(12) **United States Design Patent**
Canfield

(10) **Patent No.:** **US D632,423 S**

(45) **Date of Patent:** **** Feb. 8, 2011**

(54) **MODULAR BULKHEAD**

(75) Inventor: **Jon D. Canfield**, Fort Wayne, IN (US)

(73) Assignee: **Total Precision Cabinetry, Inc.**, Fort Wayne, IN (US)

(**) Term: **14 Years**

(21) Appl. No.: **29/318,157**

(22) Filed: **May 14, 2008**

(51) **LOC (9) Cl.** **26-99**

(52) **U.S. Cl.** **D26/138**

(58) **Field of Classification Search** D26/145,
D26/150, 120, 128, 129, 138, 140, 141, 142,
D26/151, 154, 108, 109, 110, 111, 112, 113,
D26/118, 119, 155, 92, 93, 102, 103, 104,
D26/106, 107, 42, 24, 60, 61, 62, 63, 64,
D26/65, 66, 67, 68, 69, 71, 72, 75, 76, 80,
D26/81, 83, 85, 86, 87, 88, 89, 90; 362/410,
362/416, 801, 804, 319, 344, 345, 376, 396,
362/102, 145, 147, 219, 647; D34/5, 17,
D34/27; D24/128; 135/16; D6/366, 498,
D6/495

See application file for complete search history.

(56) **References Cited**

U.S. PATENT DOCUMENTS

D123,049	S	*	10/1940	Doane	D26/76
D127,379	S	*	5/1941	Parisson	D26/76
D140,107	S	*	1/1945	Lippincott	D26/76
D162,169	S	*	2/1951	Jernigan	D26/78
D166,671	S	*	5/1952	Jernigan	D26/88
3,061,810	A	*	10/1962	Boyd	439/113
3,218,446	A	*	11/1965	Langer	362/86
3,483,366	A	*	12/1969	Wince	362/333
3,500,036	A	*	3/1970	Szentveri	362/152
D232,257	S	*	7/1974	Paulson	D26/80
4,053,194	A	*	10/1977	Gilman	439/115
4,087,147	A	*	5/1978	Silvestris et al.	439/115
4,223,377	A	*	9/1980	Williams	362/145
D257,899	S	*	1/1981	Scholze et al.	D26/93
4,323,954	A	*	4/1982	Florence et al.	362/267

D295,086	S	*	4/1988	Morten	D26/76
5,113,329	A	*	5/1992	Lin	362/238
D359,374	S	*	6/1995	Weinstock	D26/80
D374,736	S	*	10/1996	DeWinter	D26/72
D397,818	S	*	9/1998	Herst et al.	D26/76
6,093,037	A	*	7/2000	Lin	439/115
6,296,498	B1	*	10/2001	Ross	439/115
6,585,529	B2	*	7/2003	Zakerzewski	439/110
6,719,434	B1	*	4/2004	Finn et al.	362/11
6,761,587	B2	*	7/2004	Lin	439/578
D556,362	S	*	11/2007	Pfund et al.	D26/94
7,296,912	B2	*	11/2007	Beauchamp	362/249.01
D565,786	S	*	4/2008	Willmorth et al.	D26/138
7,434,966	B2	*	10/2008	Finn	362/352

(Continued)

Primary Examiner—Cathron C Brooks
Assistant Examiner—Kevin K Rudzinski
(74) *Attorney, Agent, or Firm*—Barnes & Thornburg LLP

(57) **CLAIM**

The ornamental design for a modular bulkhead, as shown and described.

DESCRIPTION

FIG. 1 is a perspective view of a modular bulkhead of the present invention.

FIG. 2 is a left side elevation view thereof;

FIG. 3 is a right side elevation view thereof;

FIG. 4 is a front elevation view thereof;

FIG. 5 is a rear elevation view thereof;

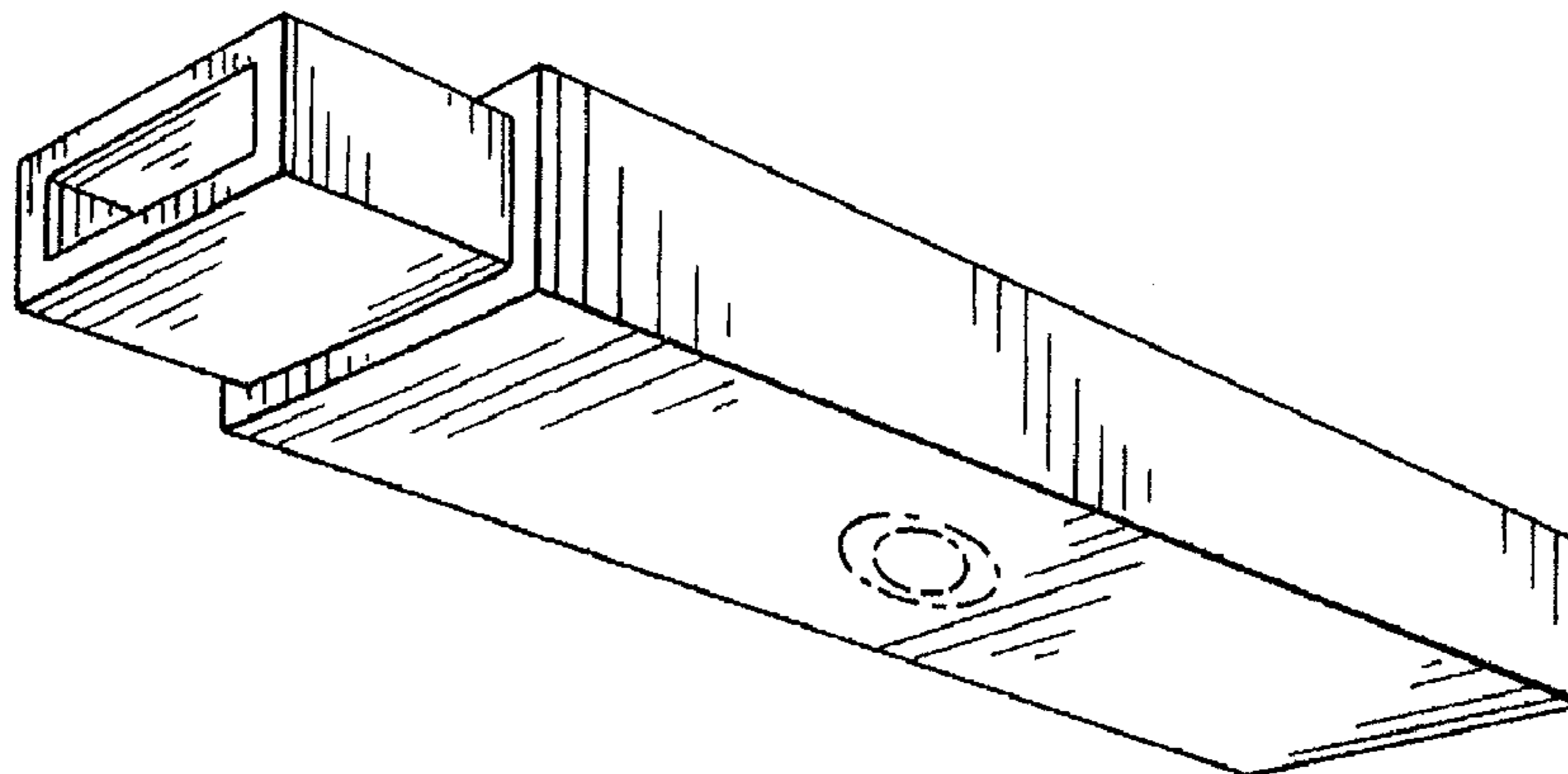
FIG. 6 is a top view thereof;

FIG. 7 is a bottom view thereof; and,

FIG. 8 is a perspective view on a reduced scale thereof, with a multitude of like bulkhead components in broken lines.

The broken lines shown in the drawings are included for the purpose of illustrating environmental structures and form no part of the claimed design.

1 Claim, 2 Drawing Sheets



US D632,423 S

Page 2

U.S. PATENT DOCUMENTS					
D591,443 S	*	4/2009	Beno et al.	D26/88	
D603,549 S	*	11/2009	Ng	D26/80	
					2003/0223231 A1* 12/2003 McCarthy et al. 362/219
					2004/0042203 A1* 3/2004 Ladstatter
					362/147
					* cited by examiner

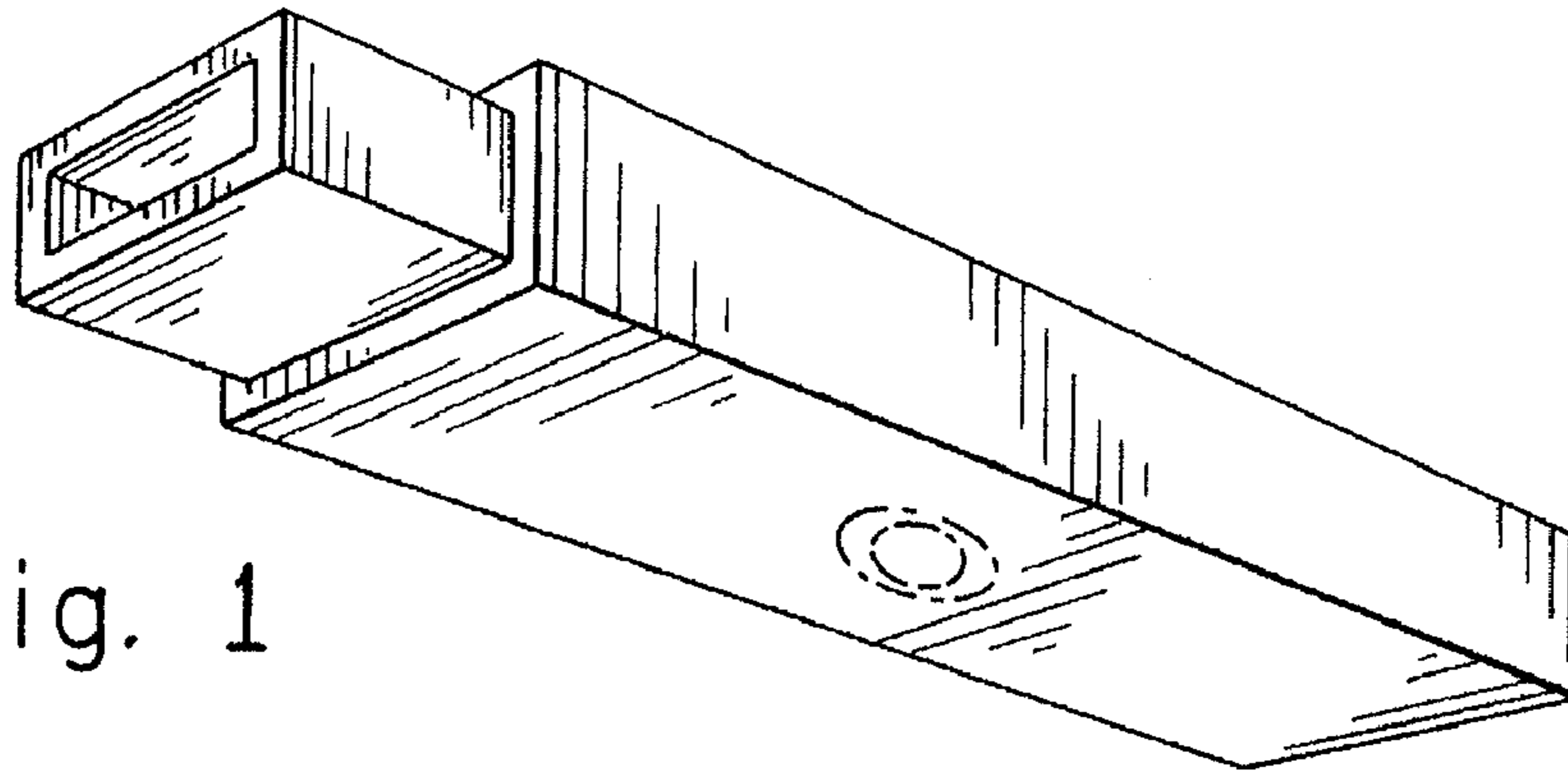


Fig. 1

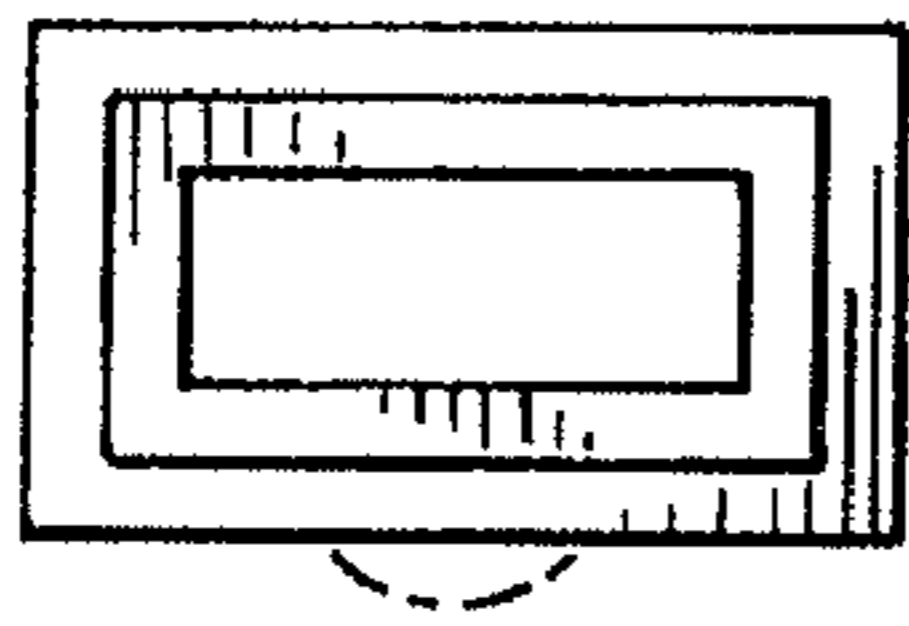


Fig. 2

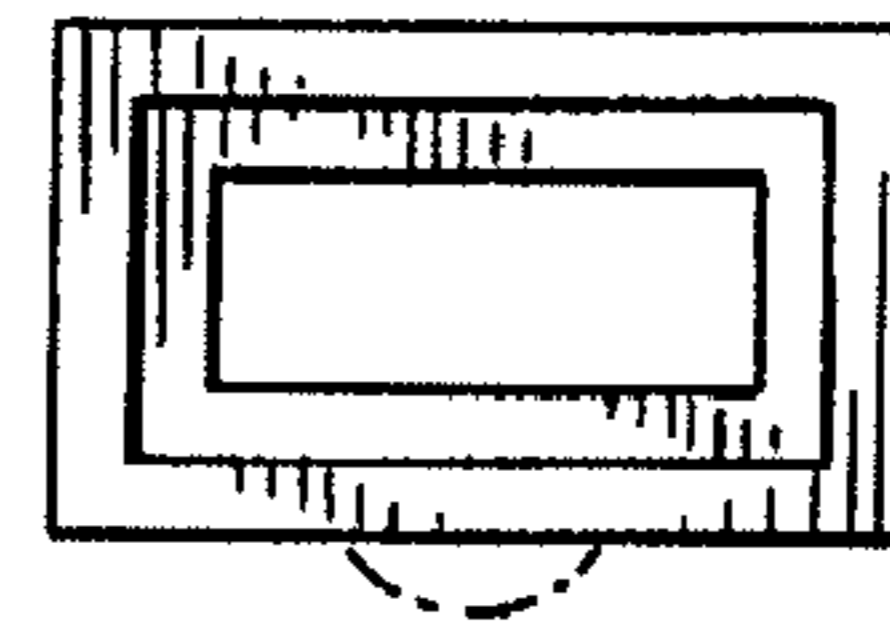


Fig. 3

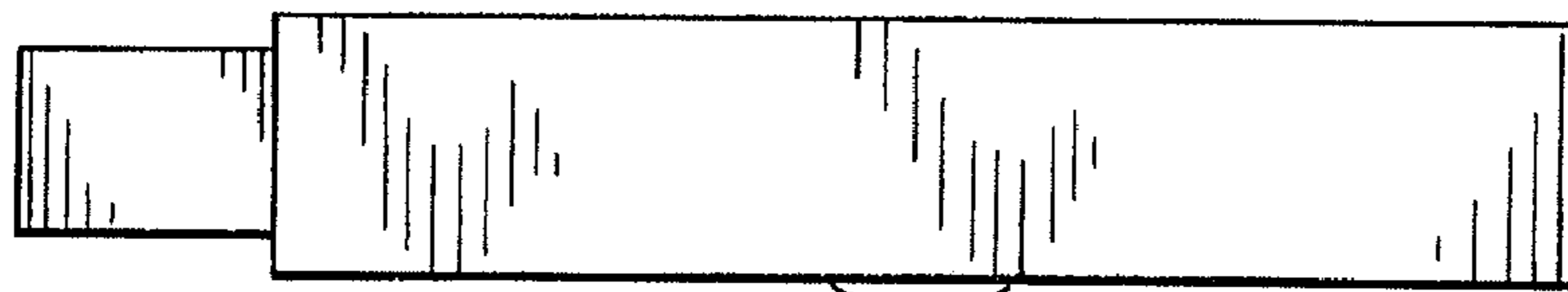


Fig. 4

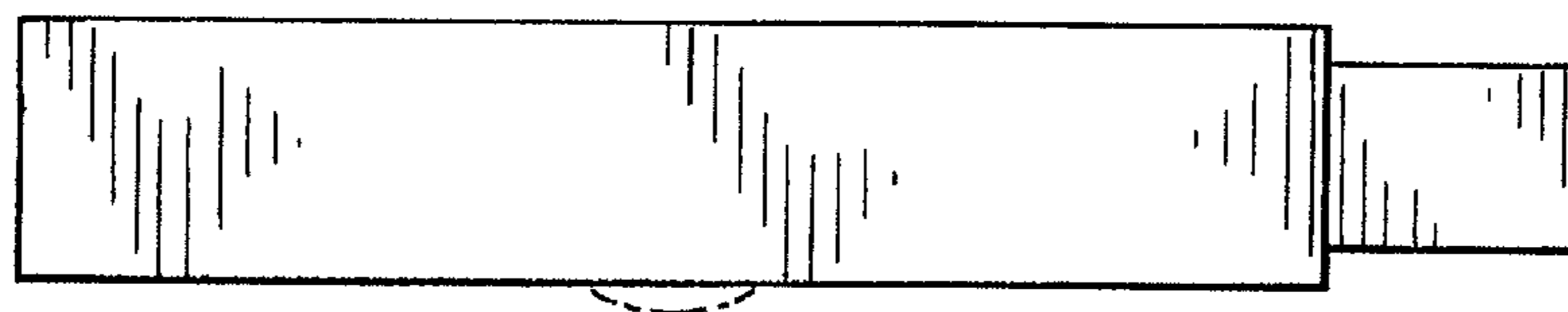


Fig. 5

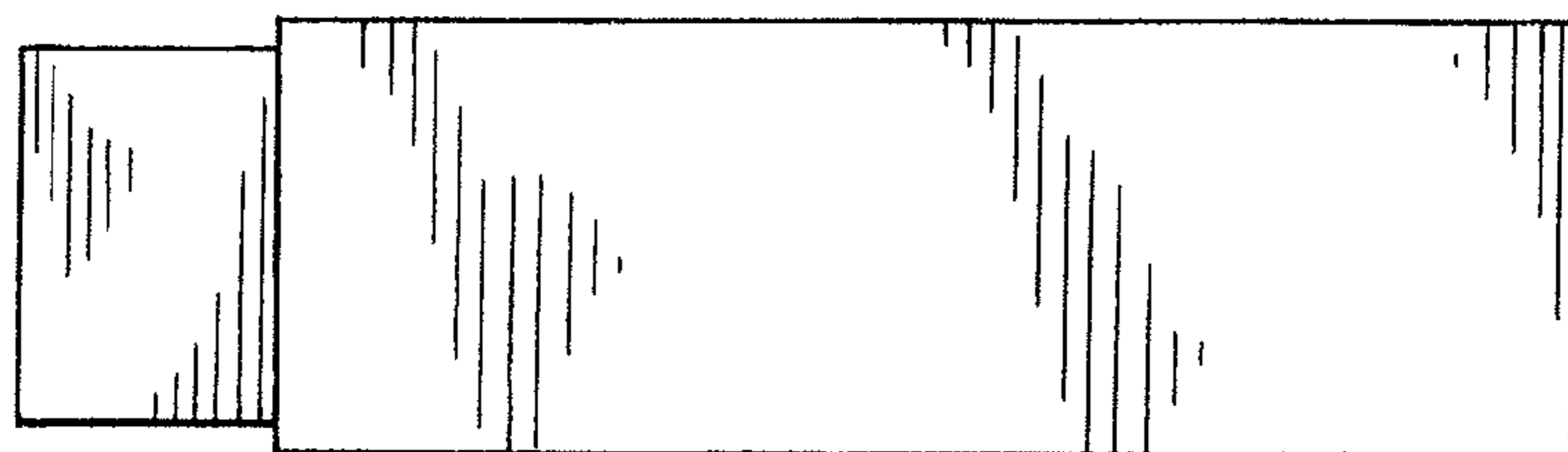


Fig. 6

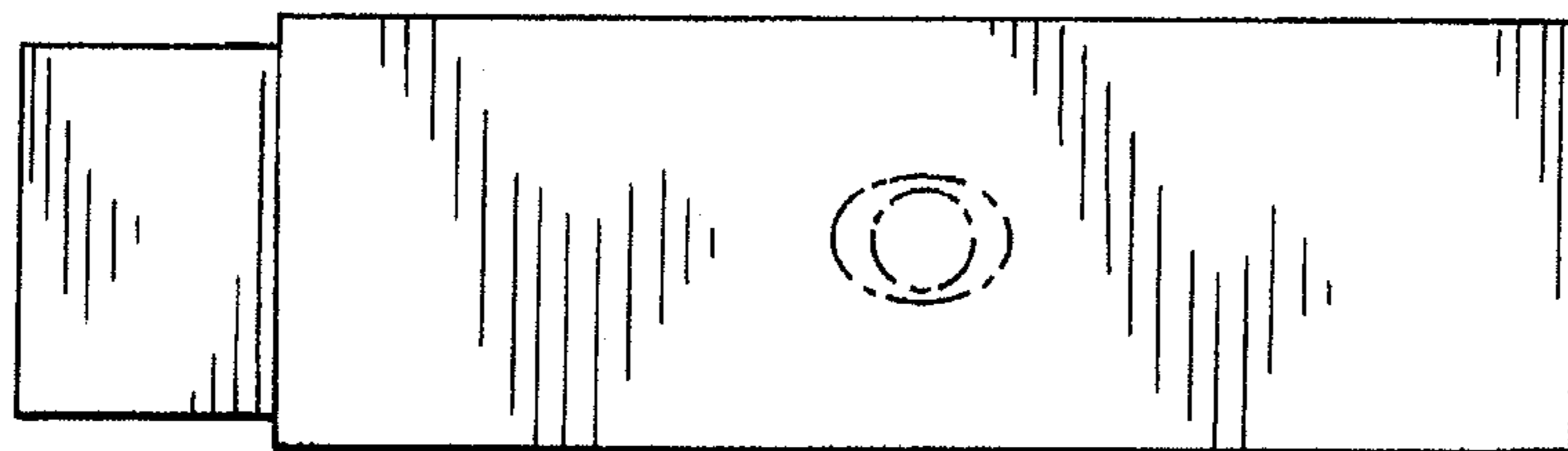


Fig. 7

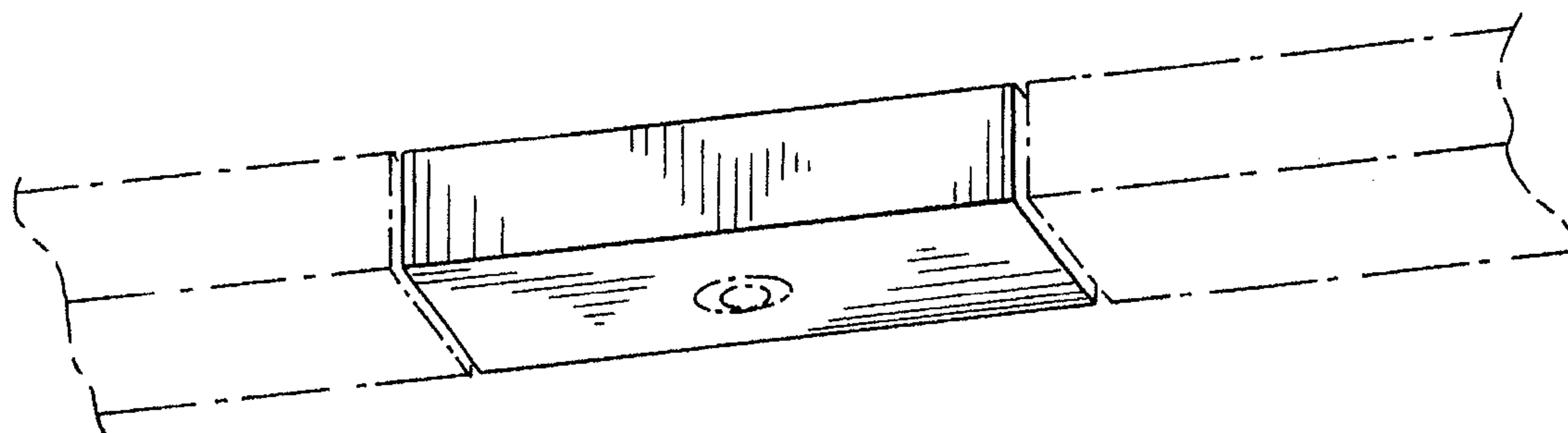


Fig. 8