



US00D632422S

(12) **United States Design Patent**
van den Akker

(10) **Patent No.:** **US D632,422 S**
(45) **Date of Patent:** **** Feb. 8, 2011**

(54) **LUMINAIRE**

(75) Inventor: **Emmanue van den Akker,**
Moerbeke-Waas (BE)

(73) Assignee: **Koninklijke Philips Electronics N.V.,**
Eindhoven (NL)

(**) Term: **14 Years**

(21) Appl. No.: **29/350,825**

(22) Filed: **Nov. 24, 2009**

(30) **Foreign Application Priority Data**

May 26, 2009 (EM) 001139984-0001

(51) **LOC (9) Cl.** **26-99**

(52) **U.S. Cl.** **D26/128**

(58) **Field of Classification Search** D26/122,
D26/76, 52, 84, 85, 87, 67, 68, 69, 154, 155,
D26/152, 81, 128, 142, 144, 124, 116, 138,
D26/120, 60, 43, 24, 63, 72, 113, 71, 65,
D26/118, 61, 78, 51, 2, 119, 130, 140, 141;
D25/119, 138, 140; 362/147, 297, 84, 362,
362/376, 33, 240, 241, 294, 138, 153.1, 650,
362/257, 341, 351; D16/135; D5/62; D8/370;
160/332; 52/533; D11/79, 90, 9, 8; 431/289;
433/29, 30; D24/158, 209, 210; D13/134,
D13/179, 180; 257/712; 359/809

See application file for complete search history.

(56) **References Cited**

U.S. PATENT DOCUMENTS

D34,175 S * 3/1901 Wegg D26/131
D87,355 S * 7/1932 Pospisil D26/72
D125,468 S * 2/1941 Dreyfuss D26/24
D152,177 S * 12/1948 Trombley D7/402
D155,488 S * 10/1949 Crockett D26/60
D175,053 S * 6/1955 Vesely et al. D26/67
D175,188 S * 7/1955 Phillips D26/76
D209,982 S * 1/1968 Cohen D26/24
D223,394 S * 4/1972 Anderson, Jr. D26/68
D268,529 S * 4/1983 Lebowitz D26/65

D306,909 S * 3/1990 Kelley et al. D26/24
D308,261 S * 5/1990 Shemitz D26/87
D313,482 S * 1/1991 Compton D26/69
D348,533 S * 7/1994 Herst et al. D26/85
5,649,759 A * 7/1997 Korte 362/659
D419,258 S * 1/2000 Pfister D26/87
D472,007 S * 3/2003 Weitgasser D26/76
D499,836 S * 12/2004 Sandell D26/128
D501,947 S * 2/2005 Haugaard et al. D26/71
D509,313 S * 9/2005 Friedman et al. D26/71
7,018,063 B2 * 3/2006 Michael et al. 362/183
D560,301 S * 1/2008 Compton D26/85
D563,019 S * 2/2008 Pfund D26/72
RE40,158 E * 3/2008 Weitgasser D26/76
D565,234 S * 3/2008 Pfund et al. D26/87
D568,521 S * 5/2008 Compton D26/71
D572,399 S * 7/2008 Pfund D26/72
D579,140 S * 10/2008 Guercio D26/92
D587,834 S * 3/2009 Moritz D26/76
D588,292 S * 3/2009 Sabernig D26/71
D591,445 S * 4/2009 Guercio D26/92
D601,738 S * 10/2009 Schneider D26/71

* cited by examiner

Primary Examiner—Cathron C Brooks
Assistant Examiner—Kevin K Rudzinski

(57) **CLAIM**

The ornamental design for a luminaire, as shown.

DESCRIPTION

FIG. 1 is a perspective view showing my design;

FIG. 2 is a front elevational view thereof;

FIG. 3 is a rear elevational view thereof;

FIG. 4 is a right side elevational view thereof;

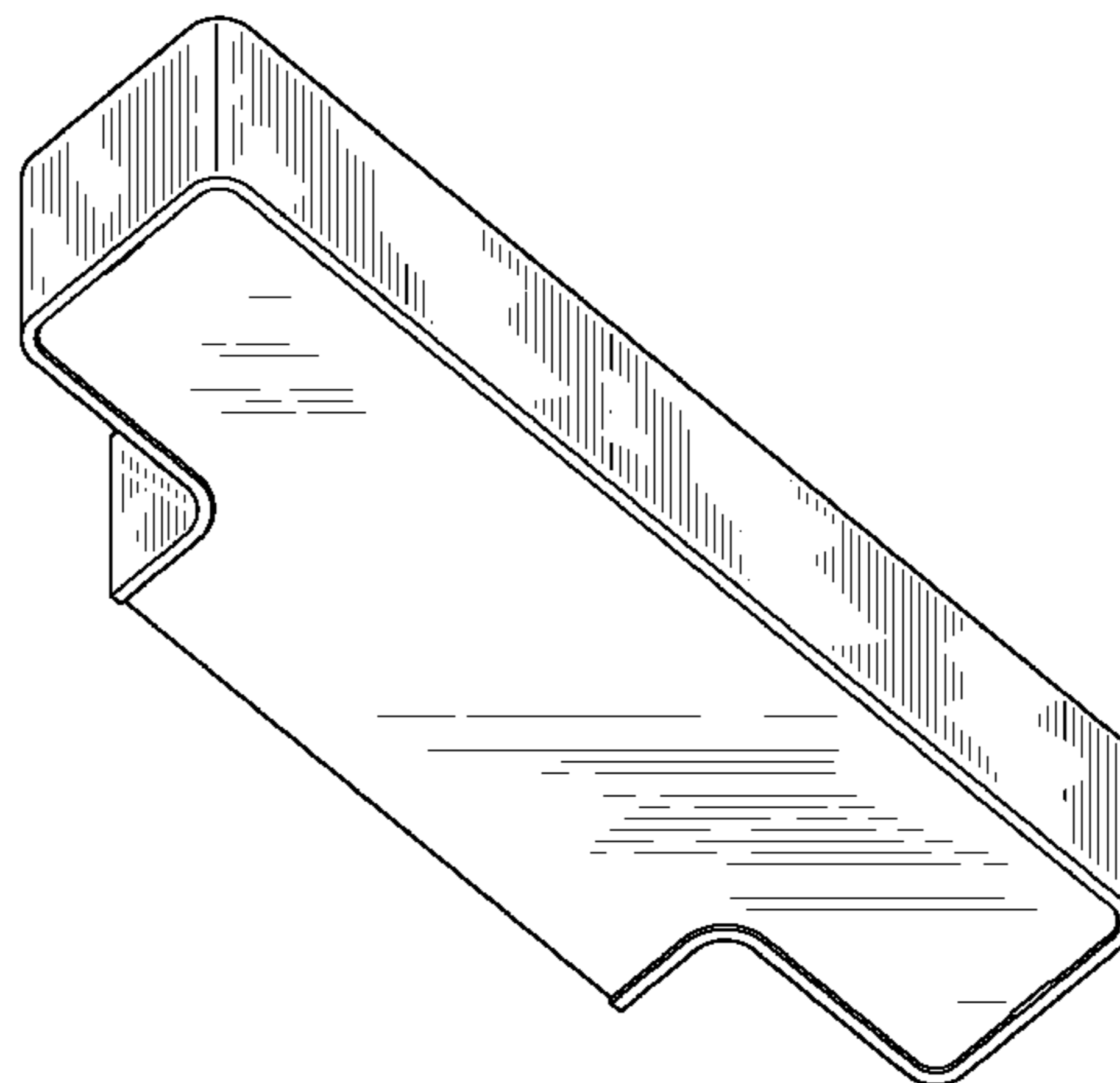
FIG. 5 is a left side elevational view thereof;

FIG. 6 is a top plan view thereof; and,

FIG. 7 is a bottom plan view thereof.

All broken lines in the drawings form no part of the claimed design.

1 Claim, 4 Drawing Sheets



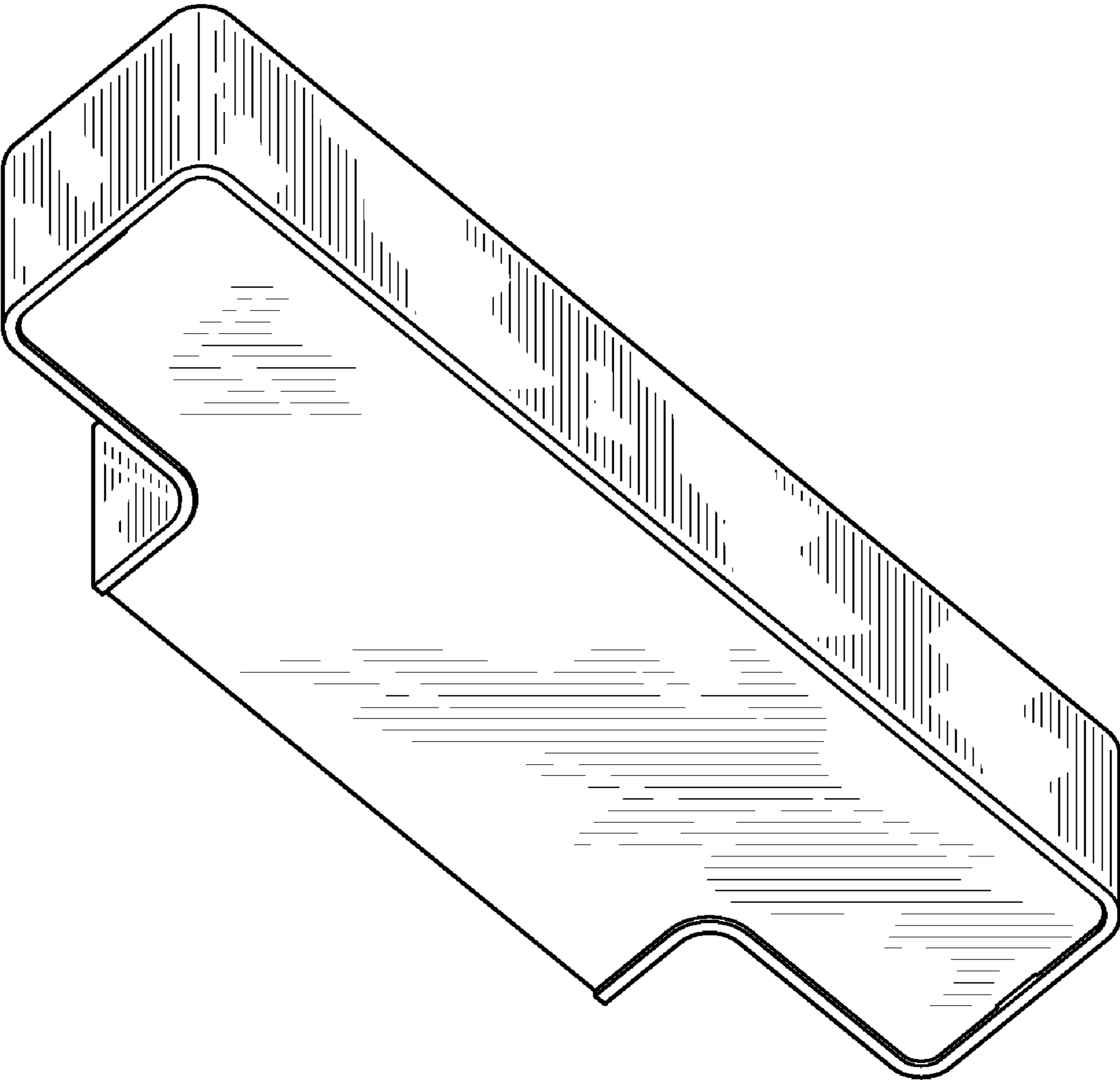


FIG. 1

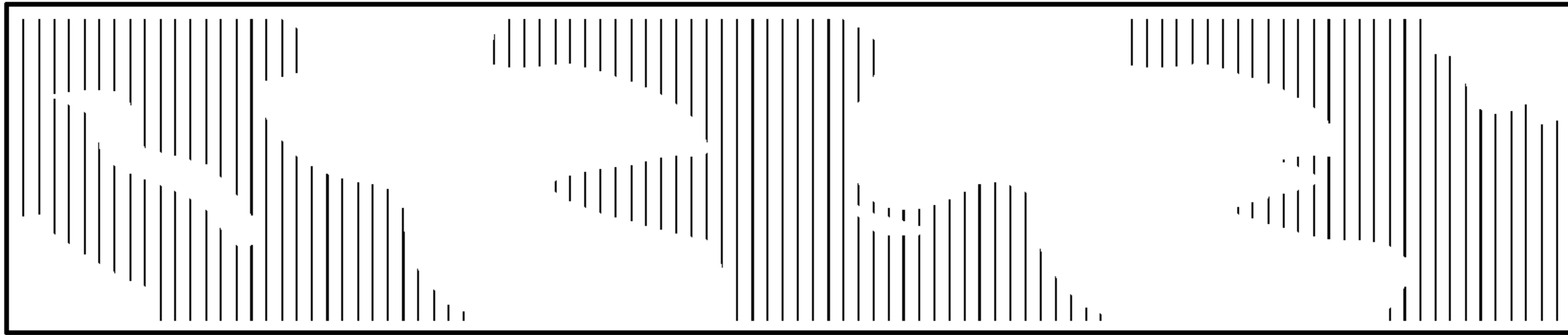


FIG. 2

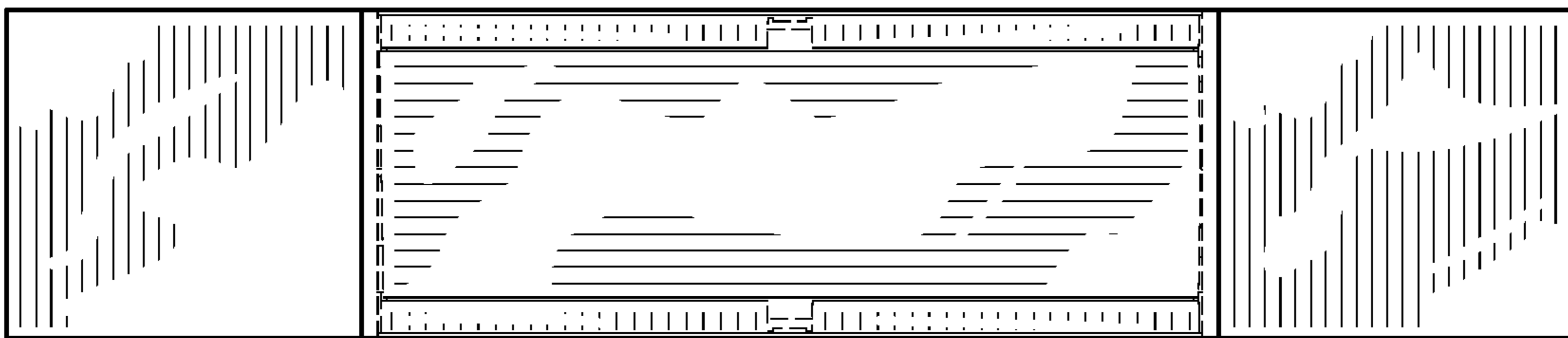


FIG. 3

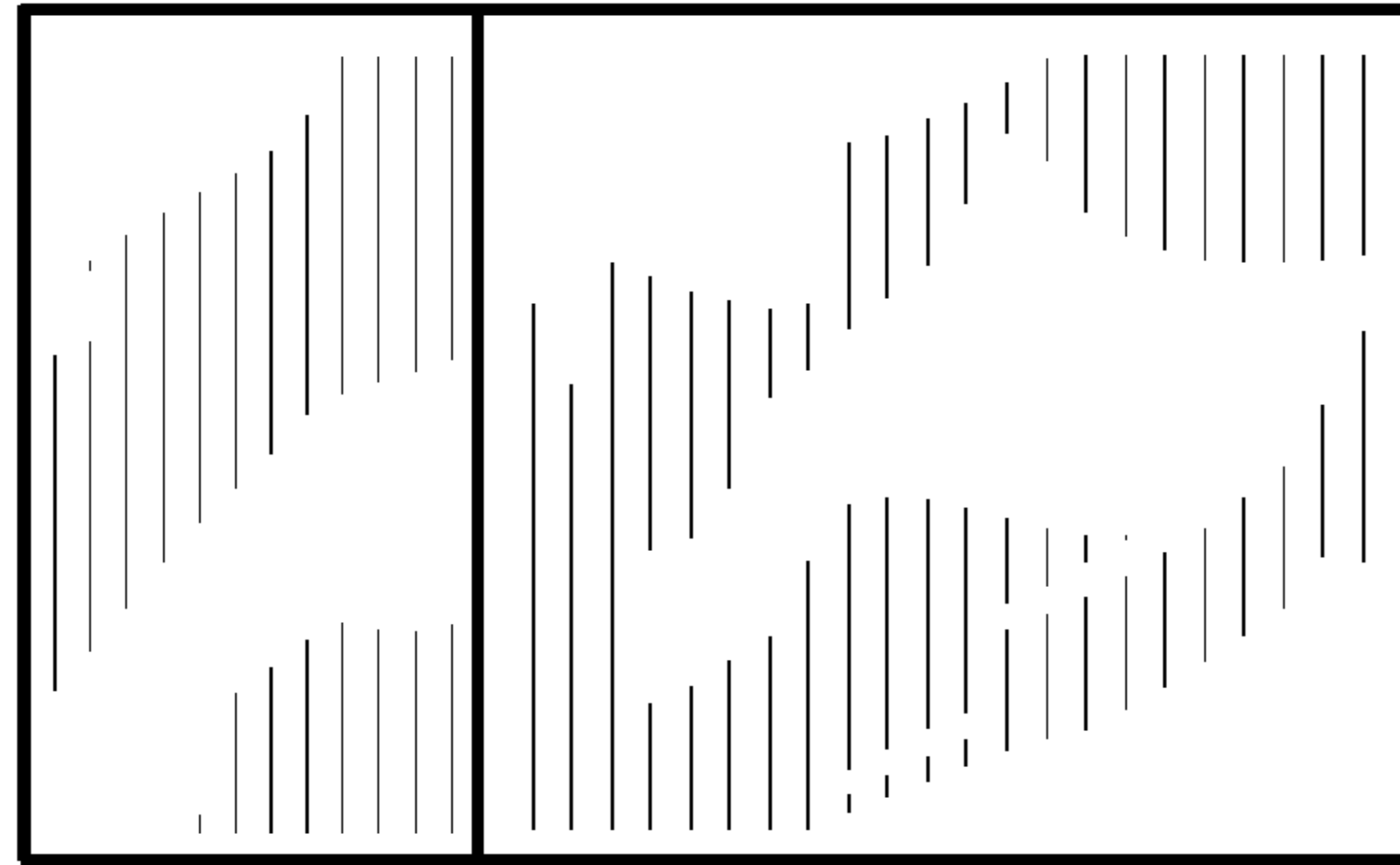


FIG. 4

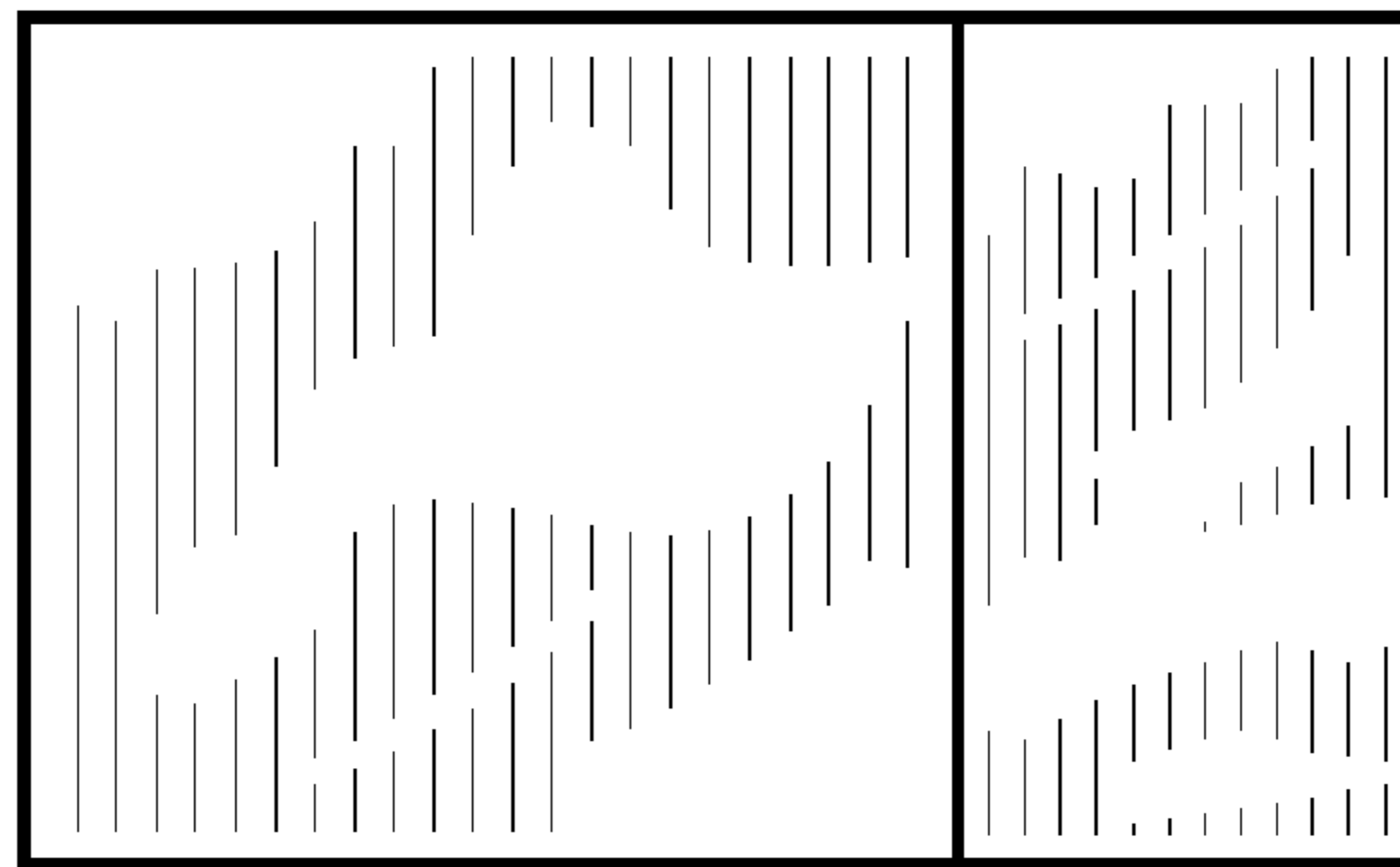


FIG. 5

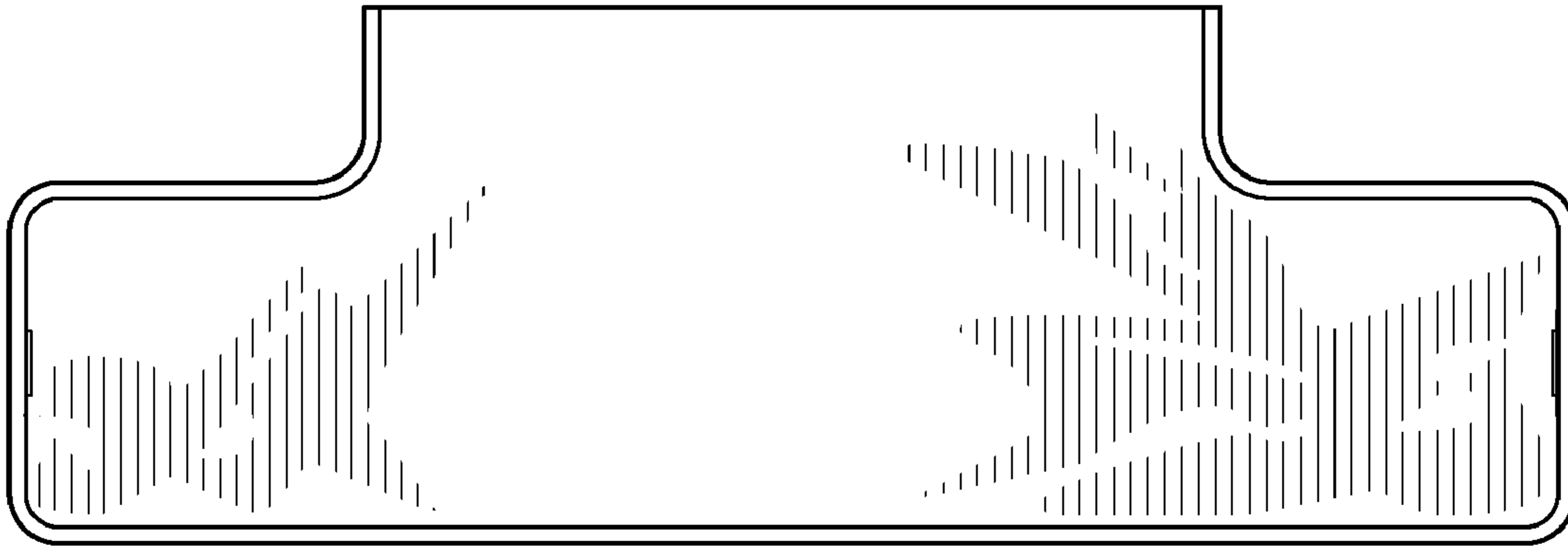


FIG. 6

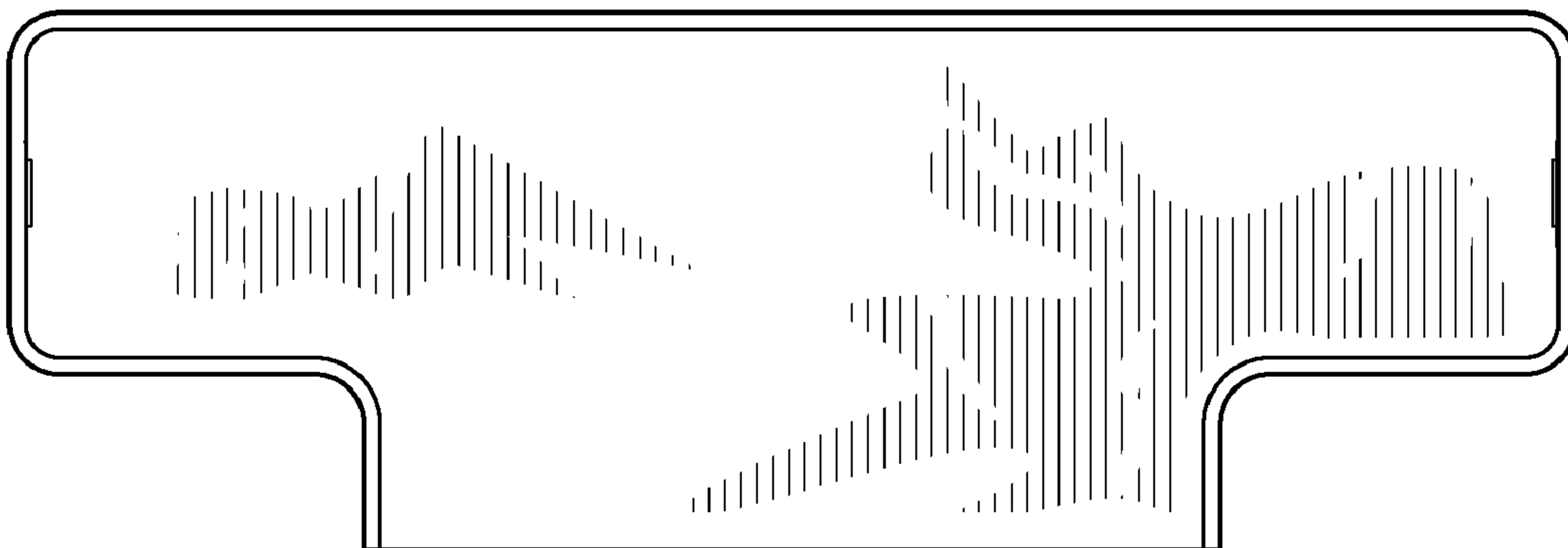


FIG. 7