



US00D632421S

(12) **United States Design Patent**  
**Vukosic et al.**

(10) **Patent No.:** **US D632,421 S**  
(45) **Date of Patent:** **\*\* Feb. 8, 2011**

(54) **OPTICAL LENS FOR PROJECTING LIGHT FROM AN LED LIGHT EMITTER**

(75) Inventors: **Stephen T. Vukosic**, West Henrietta, NY (US); **Oriana J. Starr**, Catskill, NY (US)

(73) Assignee: **Star Headlight & Lantern Co., Inc.**, Avon, NY (US)

(\*\*) Term: **14 Years**

(21) Appl. No.: **29/370,069**

(22) Filed: **Jun. 2, 2010**

(51) **LOC (9) Cl.** ..... **26-99**

(52) **U.S. Cl.** ..... **D26/124**

(58) **Field of Classification Search** ..... D26/138, D26/63, 128, 124, 24, 87, 145, 155, 140, D26/85, 113, 142, 118, 64, 2, 3, 68, 71, 67, D26/76, 65, 120; 362/219, 249.01, 240.02, 362/249.03, 249.04, 249.05, 249.06, 249.07, 362/249.08, 249.09, 249.1, 249.11, 580, 362/373, 290, 362, 183, 240, 294; D7/532, D7/530, 529, 523, 531, 587; D11/152, 153, D11/146; D16/134, 135, 101; 439/110, 439/698, 417, 320; D13/134, 179, 180

See application file for complete search history.

(56) **References Cited**

**U.S. PATENT DOCUMENTS**

3,019,334	A *	1/1962	Lipscomb	.....	362/354
3,541,321	A *	11/1970	Spiteri	.....	362/390
3,668,381	A *	6/1972	Schwartz et al.	.....	362/339
4,240,062	A *	12/1980	Gosswiller	.....	340/472
4,569,002	A *	2/1986	English et al.	.....	362/543
4,742,432	A *	5/1988	Thillays et al.	.....	361/783
5,550,716	A *	8/1996	Dassanayake et al.	.....	362/560
6,067,012	A *	5/2000	Harding	.....	340/472
6,568,826	B1 *	5/2003	Kotovskiy	.....	362/147
6,641,282	B2 *	11/2003	Perlo et al.	.....	362/217.06

(Continued)

**OTHER PUBLICATIONS**

Star Warning Systems, Product Sheet for DECKSTAR, DL25-HLSW, Dual Row LED Light, Dec. 2001.\*

(Continued)

*Primary Examiner*—Cathron C Brooks

*Assistant Examiner*—Kevin K Rudzinski

(74) *Attorney, Agent, or Firm*—Kenneth J. Lukacher; Martin Lukacher

(57) **CLAIM**

The ornamental design for an optical lens for projecting light from an LED light emitter, as shown and described.

**DESCRIPTION**

FIG. 1 is a perspective view looking downwardly from the right side of the front of the optical lens for projecting light from an LED light emitter which embodies our invention;

FIG. 2 is a perspective view looking downwardly from the left side of the front thereof;

FIG. 3 is a perspective view looking downwardly toward the top front thereof;

FIG. 4 is an elevational view thereof;

FIG. 5 is a plan view of the front thereof;

FIG. 6 is a right end view thereof;

FIG. 7 is a left end view thereof;

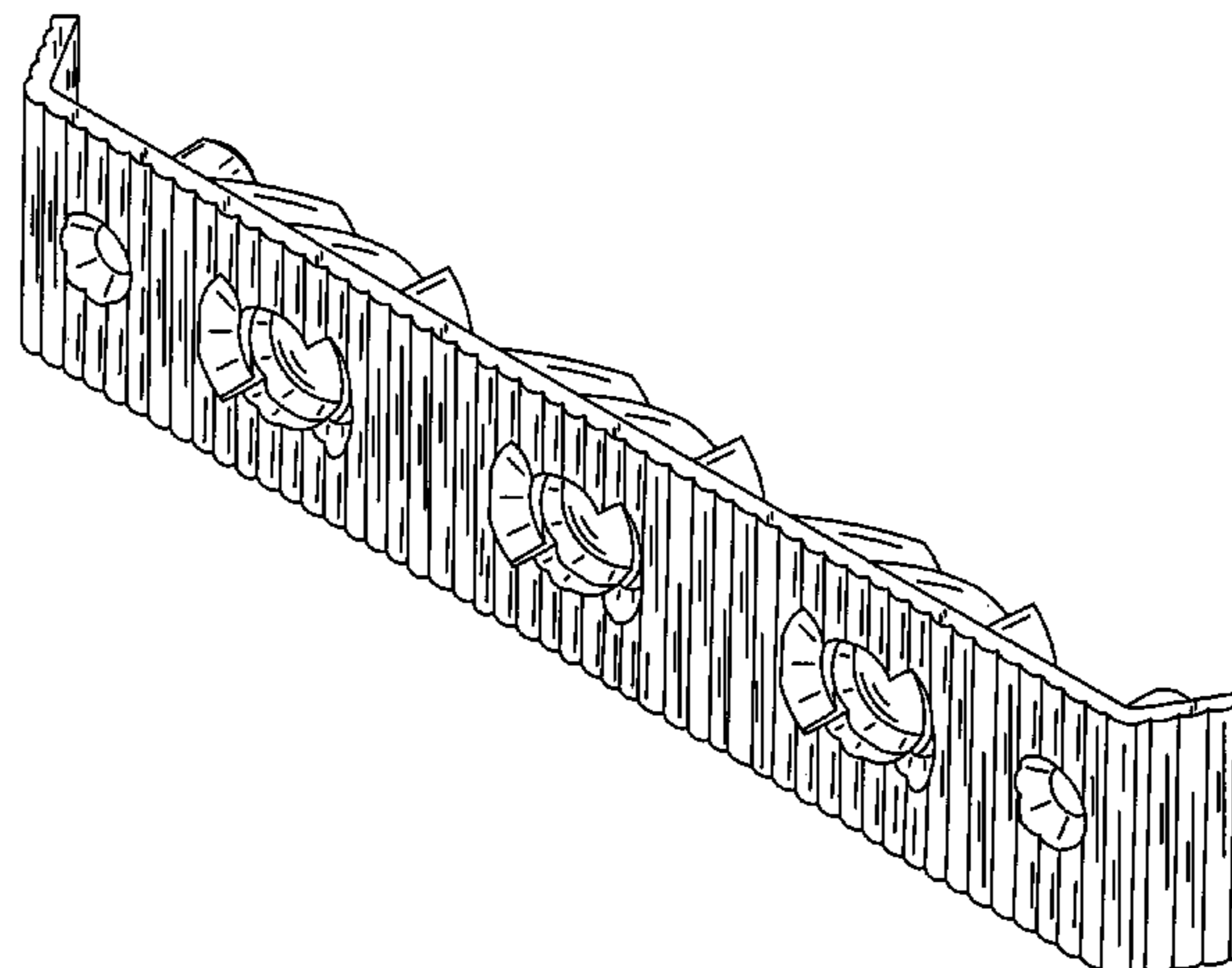
FIG. 8 is a perspective view looking downwardly at the bottom from the right side thereof;

FIG. 9 is a perspective view of the bottom looking downwardly from the left side thereof;

FIG. 10 is a perspective view of the bottom thereof looking downwardly toward the front thereof; and,

FIG. 11 is a longitudinal central sectional view thereof illustrating the internal shape of the lens structure thereof.

**1 Claim, 10 Drawing Sheets**



# US D632,421 S

Page 2

---

## U.S. PATENT DOCUMENTS

6,793,368 B2 \* 9/2004 Ladstatter ..... 362/221  
D500,384 S \* 12/2004 Lyons et al. .... D26/120  
6,851,835 B2 \* 2/2005 Smith et al. .... 362/305  
D531,332 S \* 10/2006 Duvall et al. .... D26/28  
7,131,758 B2 \* 11/2006 Ishida ..... 362/545  
7,258,466 B2 \* 8/2007 Watanabe et al. .... 362/294  
7,434,959 B1 \* 10/2008 Wang ..... 362/249.01  
D581,092 S \* 11/2008 Demarest et al. .... D26/142  
7,465,070 B2 \* 12/2008 Engel ..... 362/297  
2002/0172046 A1 \* 11/2002 Perlo et al. .... 362/304  
2004/0008516 A1 \* 1/2004 Amano ..... 362/300  
2008/0002413 A1 \* 1/2008 Wang et al. .... 362/341

2008/0144322 A1 \* 6/2008 Norfidathul et al. .... 362/310

## OTHER PUBLICATIONS

Wingman, Code 3 Catalog, p. 18-19, download from [www.code3pse.com](http://www.code3pse.com) on Jan. 31, 2008.\*  
XF2300, Code 3 Catalog, p. 4-5, download from [www.code3pse.com](http://www.code3pse.com) on Jan. 31, 2008.\*  
LED X Exterior, LC-LED, Code 3 Catalog, p. 25, download from [www.code3pse.com](http://www.code3pse.com) on Jan. 31, 2008.\*  
Prizm LED Reflector, Code3 Catalog, p. 24, download from [www.code3pse.com](http://www.code3pse.com) on Jan. 31, 2008.\*

\* cited by examiner

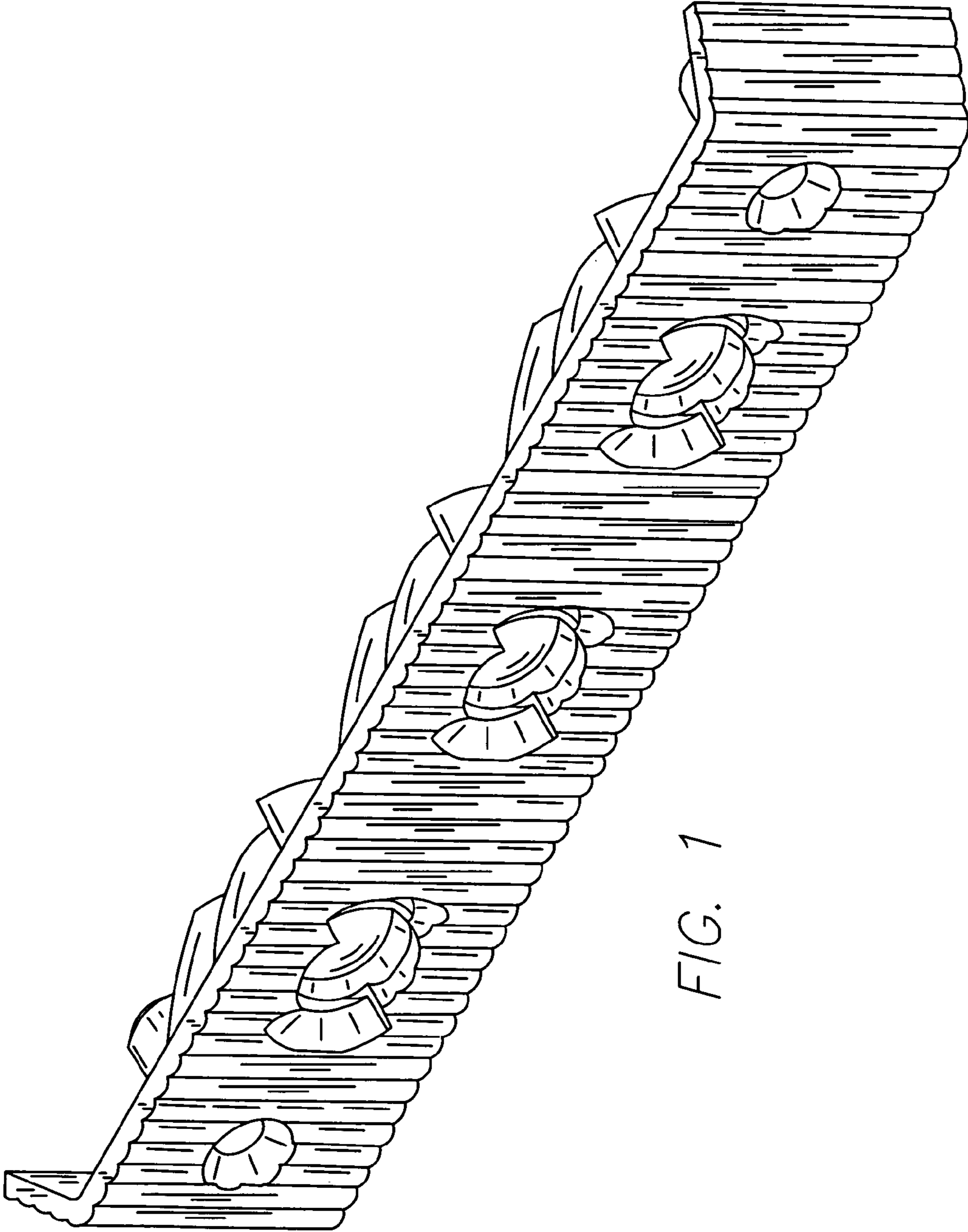


FIG. 1

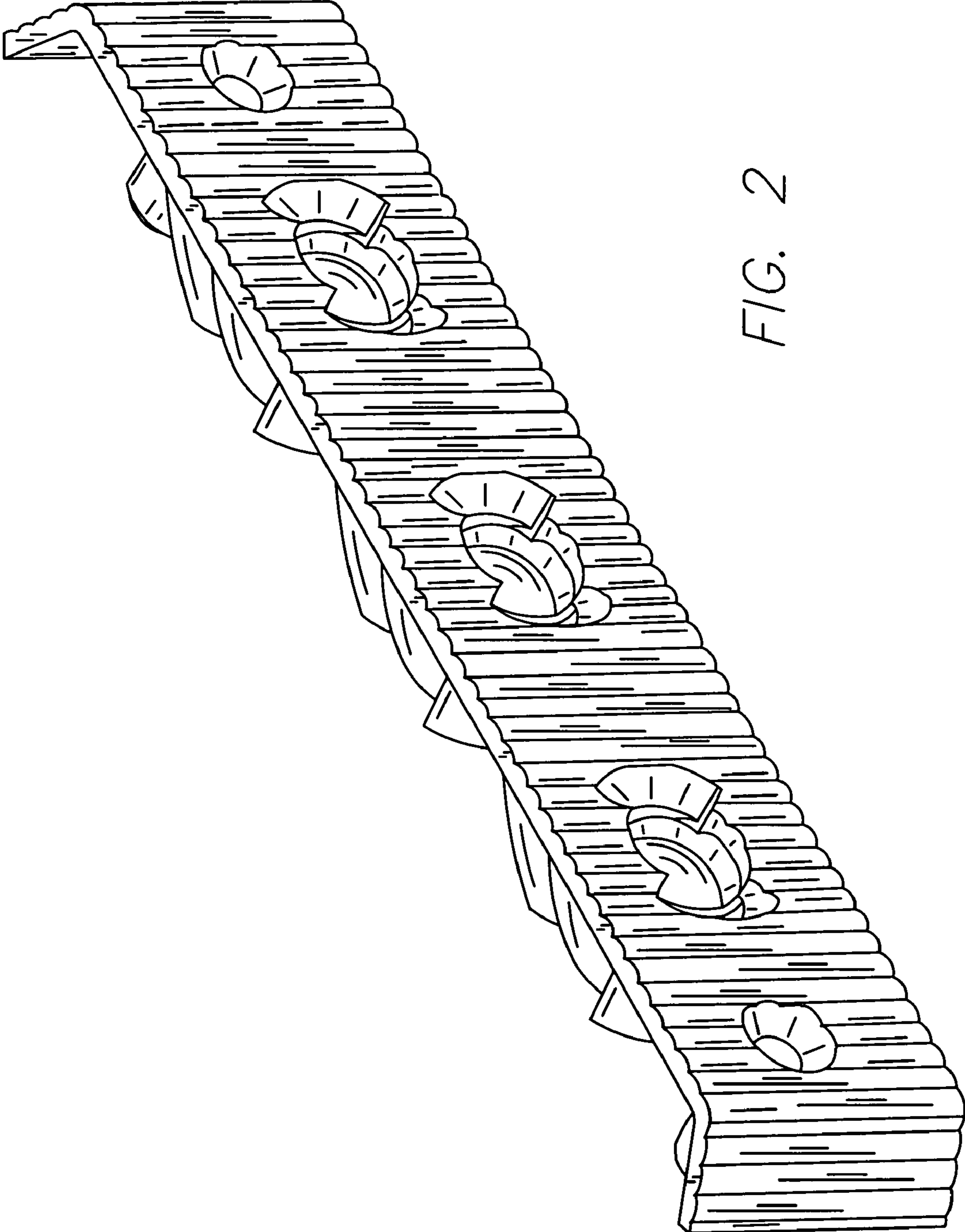


FIG. 2

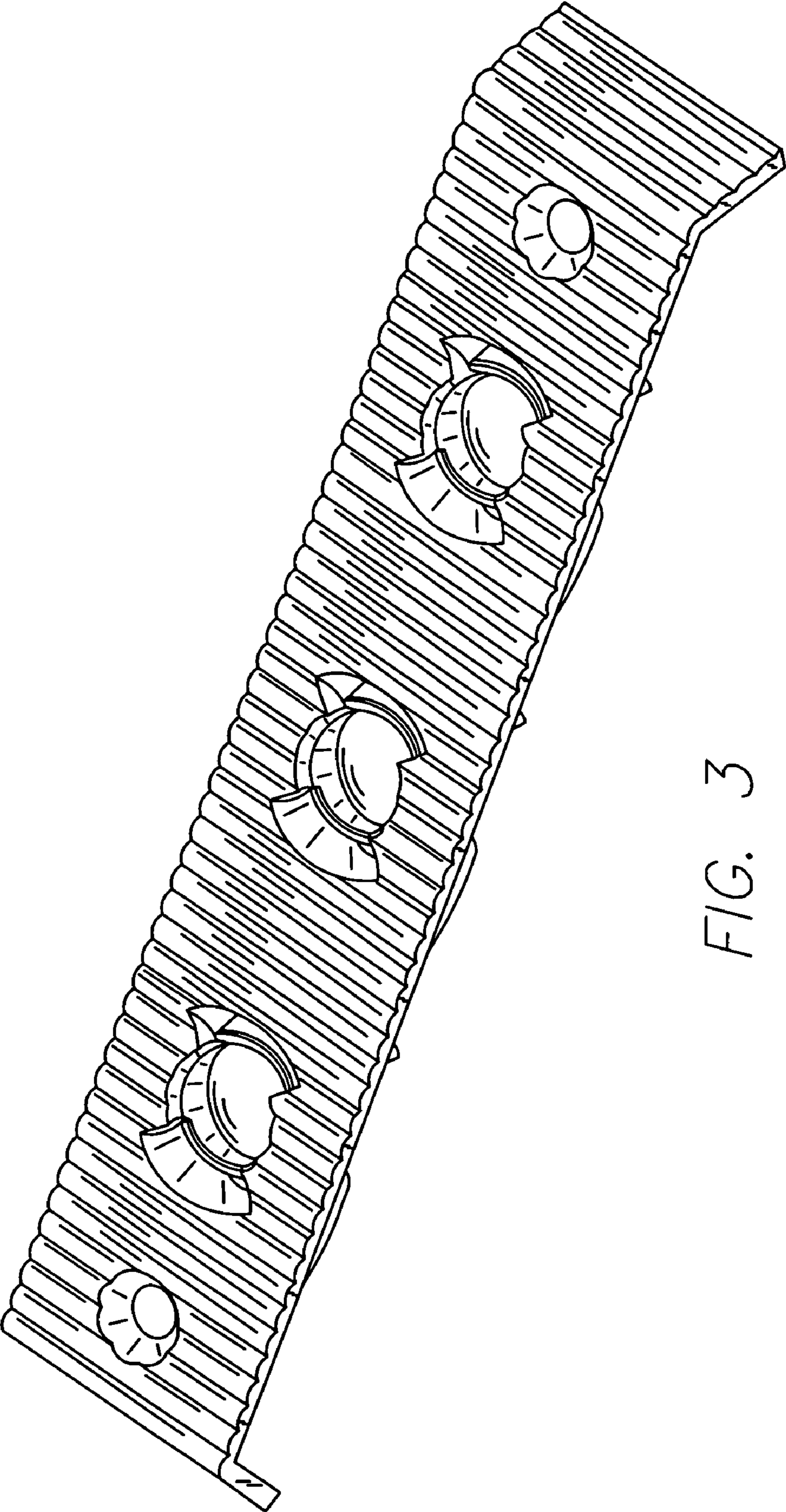


FIG. 3

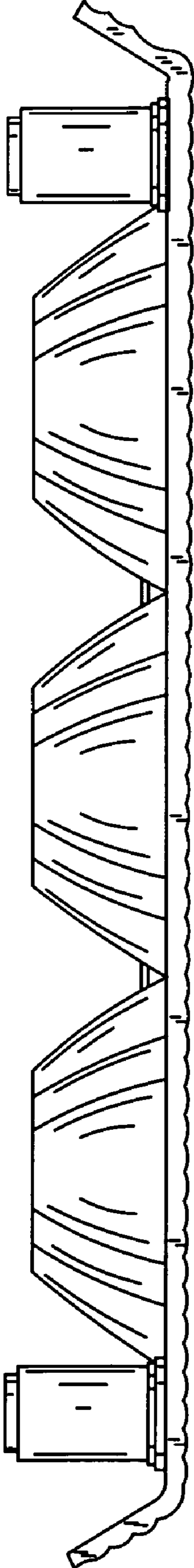


FIG. 4

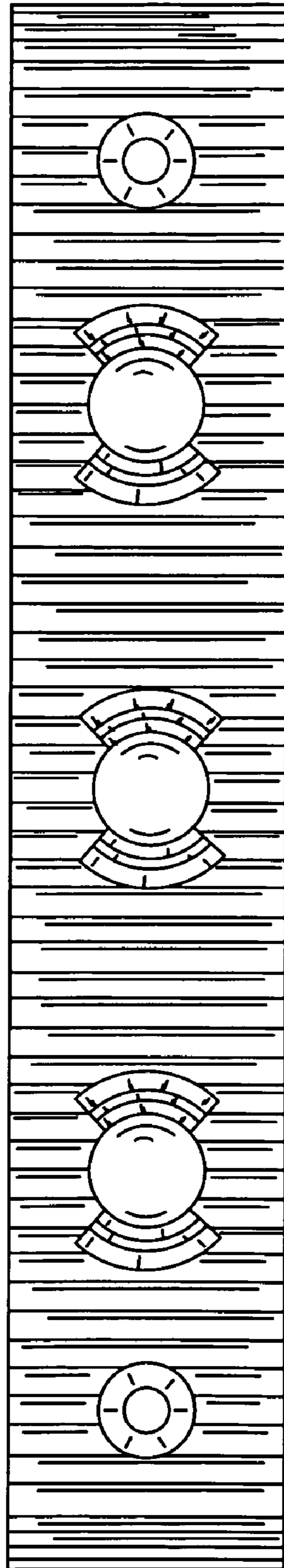


FIG. 5

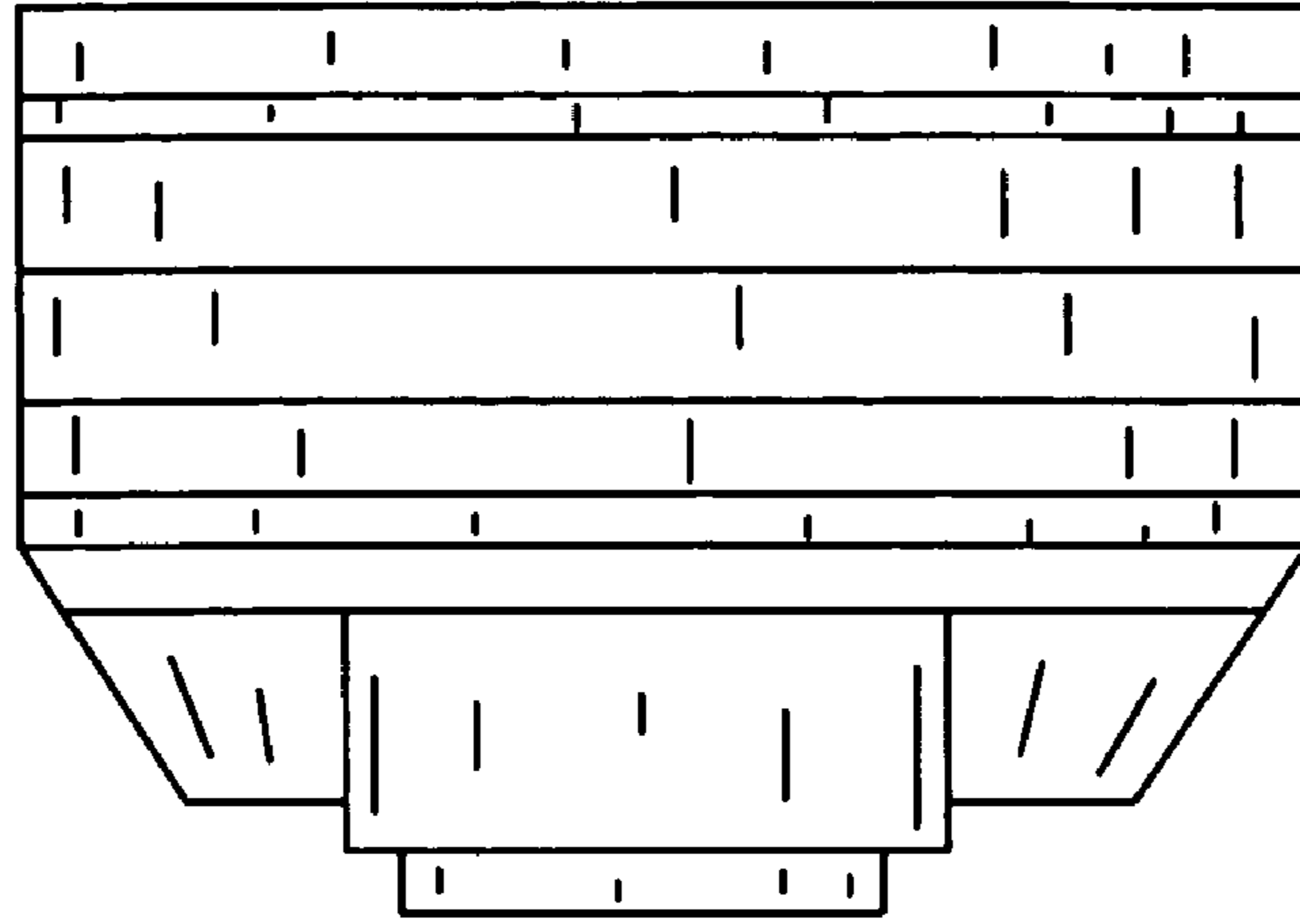


FIG. 7

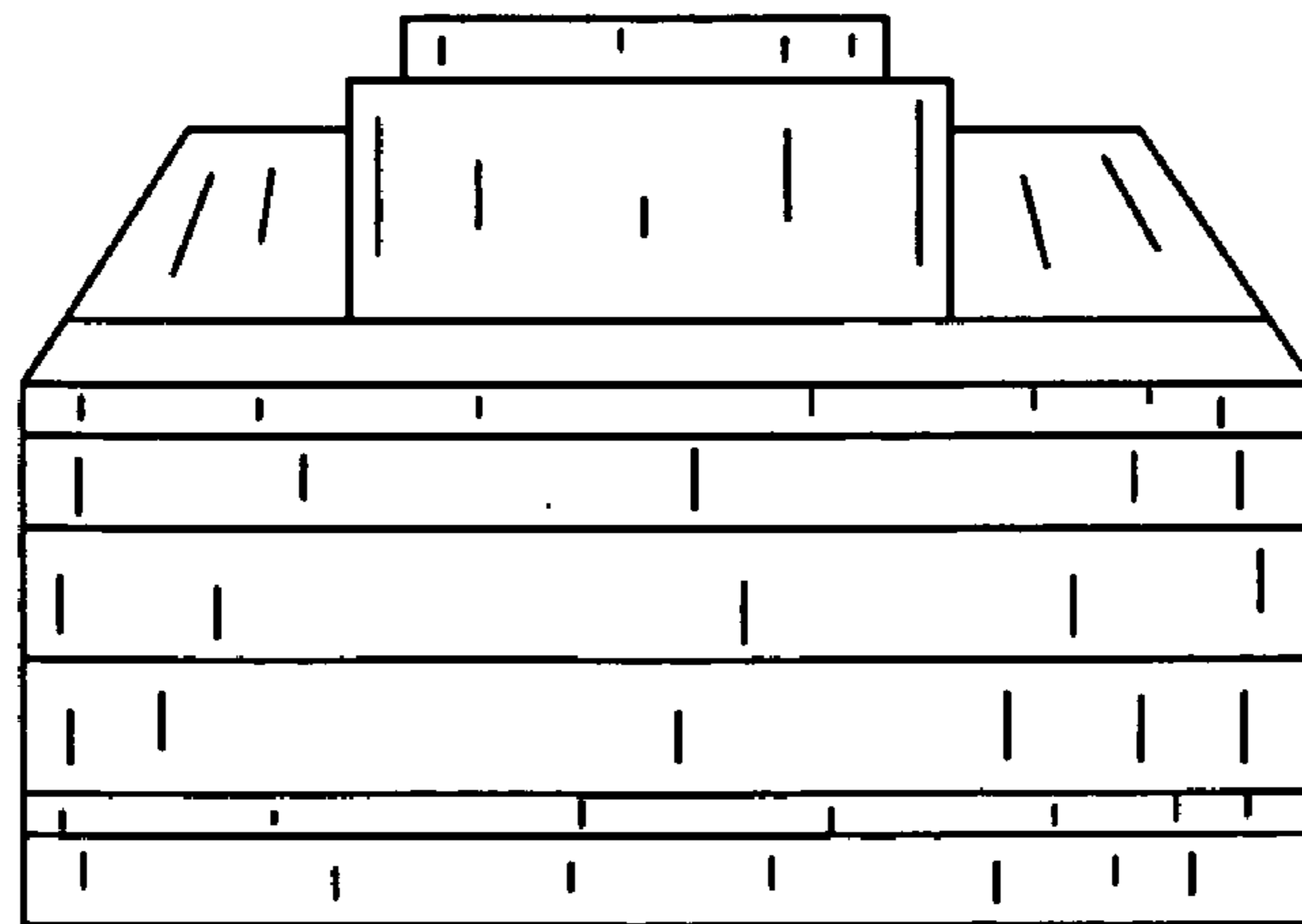


FIG. 6



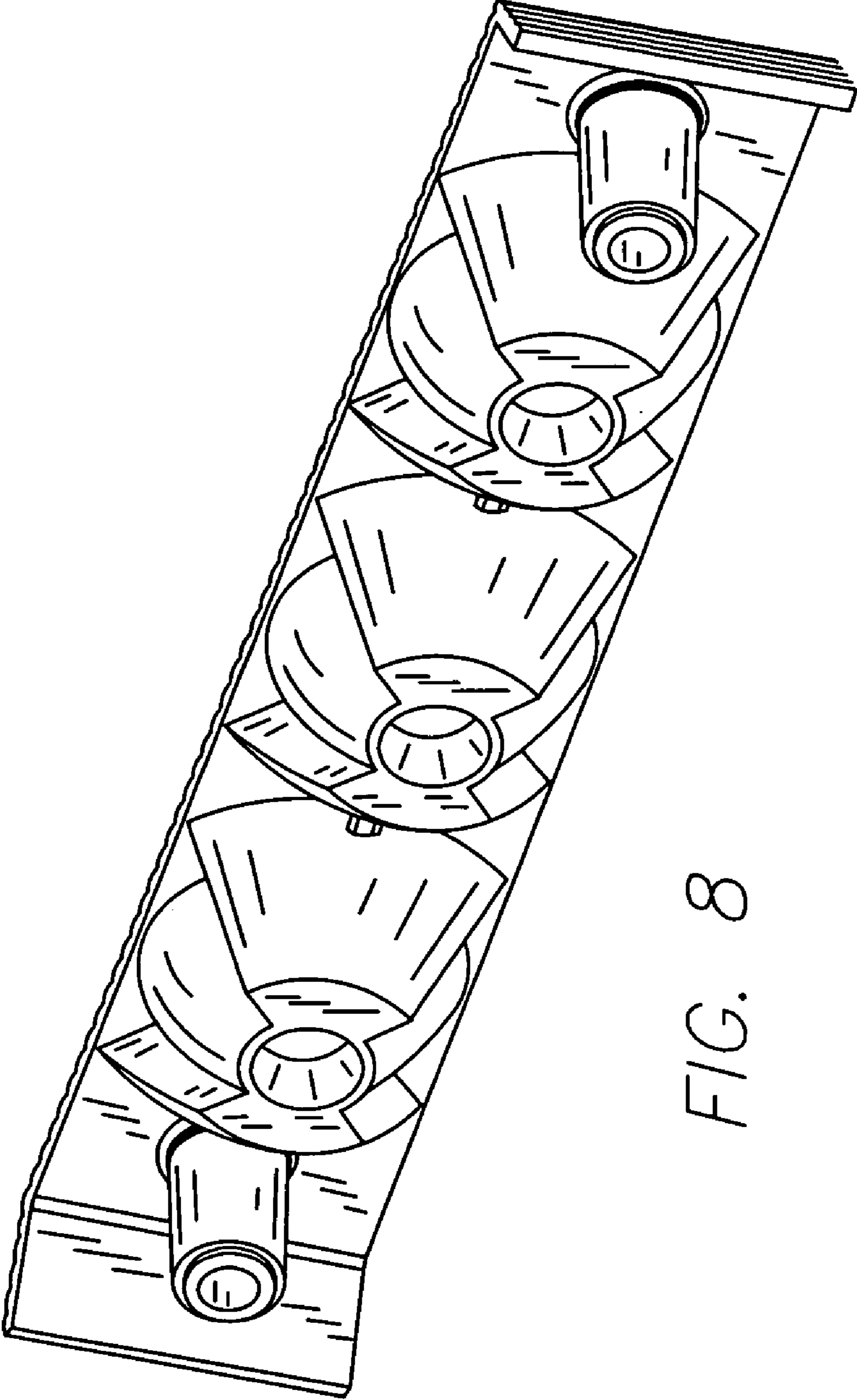


FIG. 8

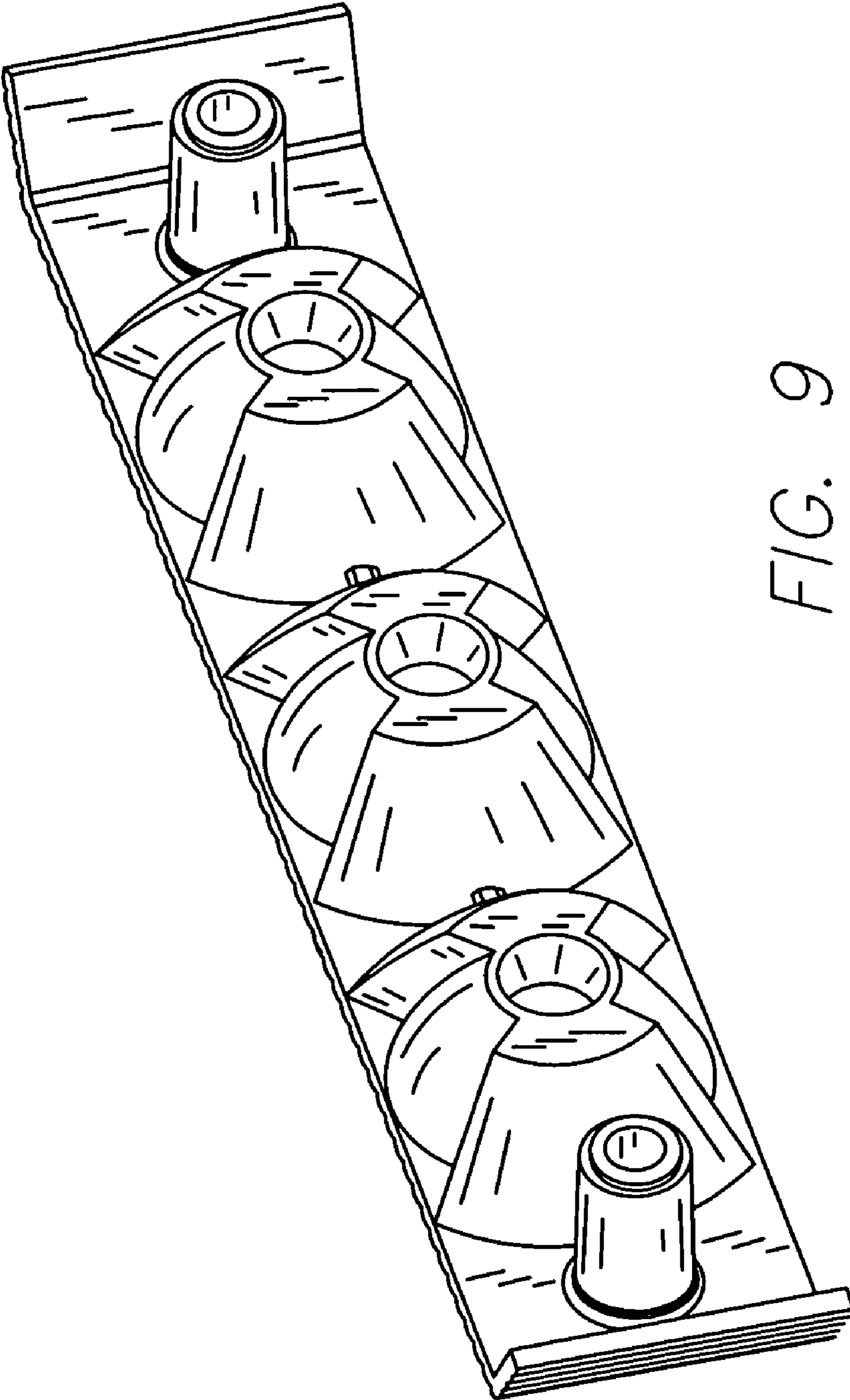


FIG. 9

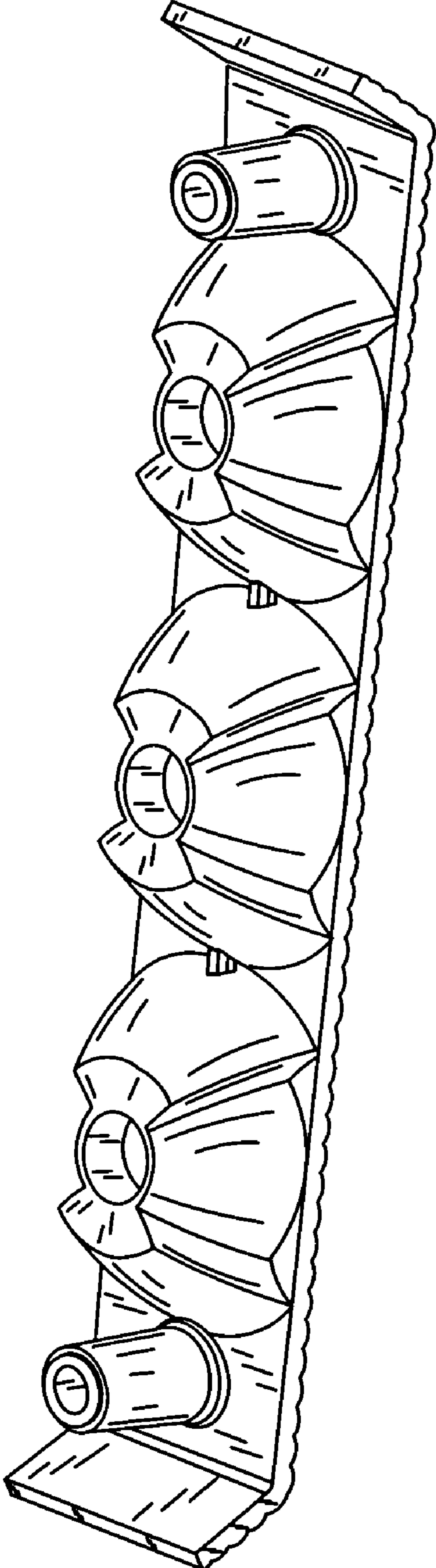


FIG. 10

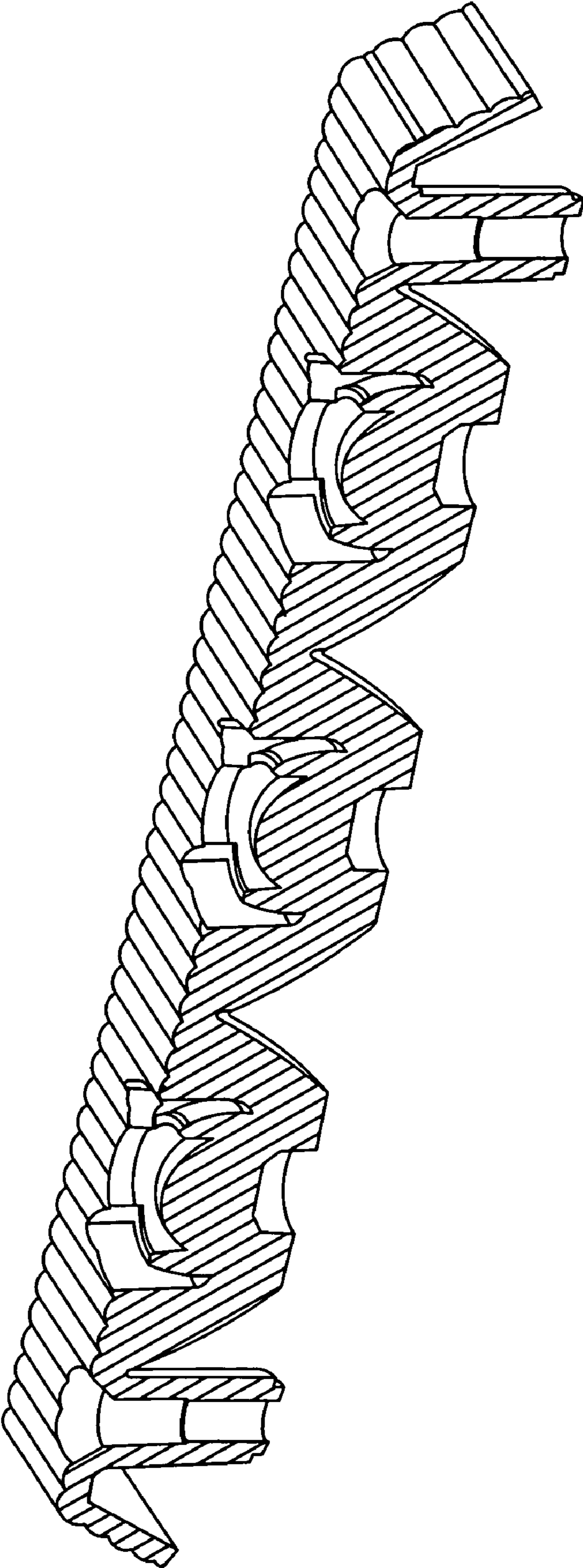


FIG. 11