



US00D632420S

(12) **United States Design Patent**
Gibler et al.

(10) **Patent No.:** **US D632,420 S**
(45) **Date of Patent:** **** Feb. 8, 2011**

(54) **LIGHT FIXTURE**

(75) Inventors: **Zach Gibler**, Granville, OH (US); **David Henderson**, Indialantic, FL (US); **Fred Maxik**, Indialantic, FL (US); **Ryan R. Berger**, Columbus, OH (US); **Michael T. Kopczewski**, Grove City, OH (US); **Jay F. Perkins**, Pickerington, OH (US)

(73) Assignee: **Lighting Science Group Corporation**, Westampton, NJ (US)

(**) Term: **14 Years**

(21) Appl. No.: **29/332,602**

(22) Filed: **Feb. 20, 2009**

(51) **LOC (9) Cl.** **26-99**

(52) **U.S. Cl.** **D26/120**

(58) **Field of Classification Search** D26/138,
D26/63, 128, 124, 24, 87, 145, 155, 140,
D26/85, 113, 142, 118, 64, 2, 3, 68, 71, 67,
D26/76, 65, 120; 362/219, 249.01, 249.02,
362/249.03, 249.04, 249.05, 249.06, 249.07,
362/249.08, 249.09, 249.1, 249.11, 580,
362/373, 290, 362, 183, 240, 294; D7/532,
D7/530, 529, 523, 531, 587; D11/152, 153,
D11/146; D16/134, 135, 101; 439/110,
439/698, 417, 320; D13/134, 179, 180

See application file for complete search history.

(56) **References Cited**

U.S. PATENT DOCUMENTS

D123,757 S	12/1940	Dreyfuss
D171,952 S	4/1954	Pettengill
D174,975 S	6/1955	Agnew et al.
D180,535 S	6/1957	Stevens
2,916,609 A	12/1959	Barchmann et al.
D195,583 S	7/1963	Phillips
D198,812 S	8/1964	Pettengill
3,183,346 A	5/1965	Spaulding et al.

(Continued)

FOREIGN PATENT DOCUMENTS

EP 1431653 A2 6/2004

(Continued)

OTHER PUBLICATIONS

F.S. Maxik, et al. "Light Fixture" co-pending patent application filed Feb. 19, 2010; U.S. Appl. No. 29/356,097.

(Continued)

Primary Examiner—Cathron C Brooks

Assistant Examiner—Kevin K Rudzinski

(74) *Attorney, Agent, or Firm*—Cantor Colburn LLP

(57) **CLAIM**

We claim, the ornamental design for a light fixture, as shown and described.

DESCRIPTION

FIG. 1 is a first perspective view of the light fixture of the invention;

FIG. 2 is a second perspective view thereof;

FIG. 3 is a top plan view thereof;

FIG. 4 is a side elevation view thereof, with the opposite side being a mirror image thereof;

FIG. 5 is a front elevation view thereof; and,

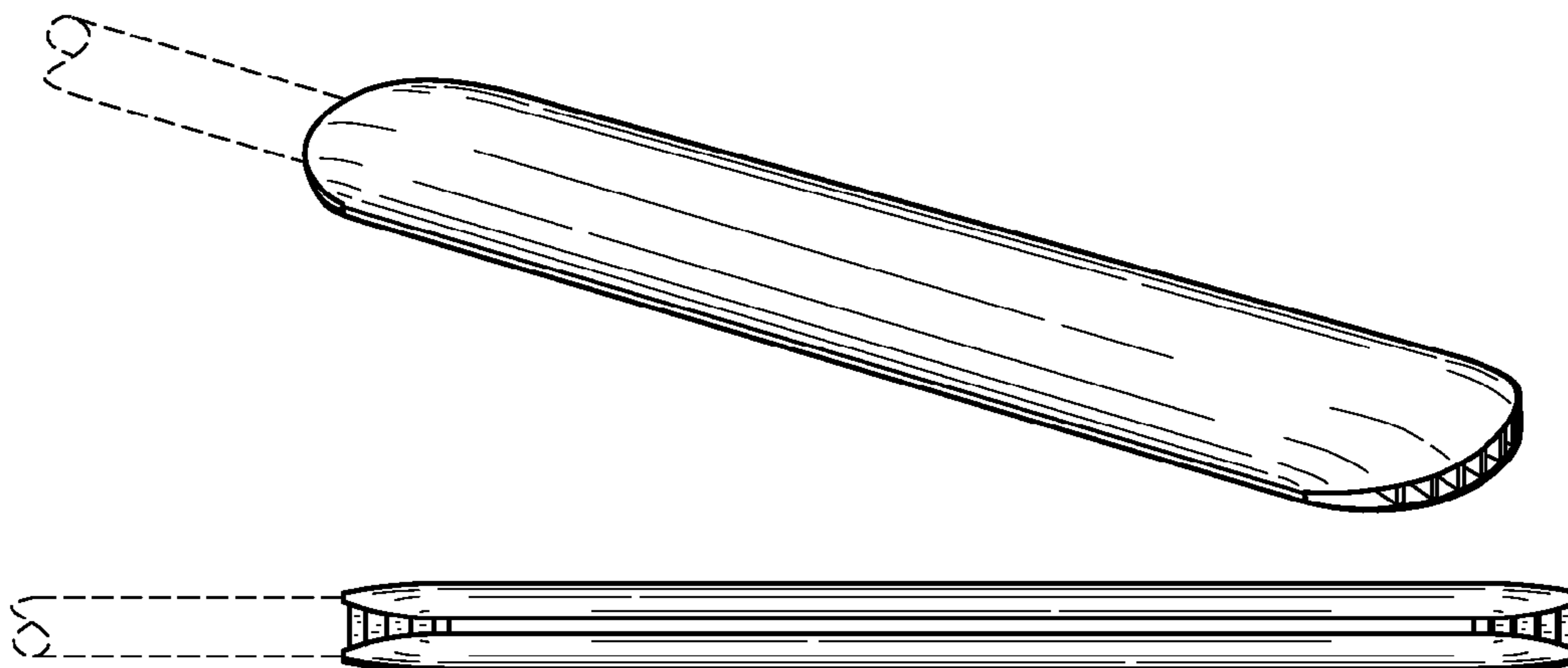
FIG. 6 is a rear elevation view thereof.

The degree of transparency or opaqueness of the lens of the light fixture forms no part of the claimed design.

The phantom lines shown in FIG. 1-4 and FIG. 6 are environmental and not part of the claimed design.

References to "side", "top", "front" and "rear" in the figure descriptions are not meant to require certain in-use orientation, a light fixture according to the claimed design may be used in any orientation.

1 Claim, 2 Drawing Sheets



U.S. PATENT DOCUMENTS

D202,212 S 9/1965 Izzi
 D204,558 S 4/1966 Zeitz
 3,297,864 A 1/1967 Waldbauer
 D208,491 S 9/1967 Brooks
 D209,081 S 10/1967 Netland
 D251,930 S 5/1979 Didone
 D272,003 S * 12/1983 Jankowski D26/63
 D278,461 S 4/1985 Pepall
 4,551,793 A 11/1985 Mellema
 D318,929 S * 8/1991 Herst et al. D26/76
 D333,528 S * 2/1993 Blet D26/62
 D337,843 S * 7/1993 Huang D26/65
 D346,237 S 4/1994 Schreder
 D348,531 S 7/1994 Mehaffey et al.
 D356,647 S 3/1995 Jung
 D362,315 S * 9/1995 Herst et al. D26/76
 D376,219 S * 12/1996 Heuel D26/62
 D382,362 S * 8/1997 Huang D26/65
 D405,907 S 2/1999 Herst et al.
 D427,704 S 7/2000 Bossy
 D428,179 S * 7/2000 Huang D26/65
 D430,686 S * 9/2000 Gismondi D26/63
 6,174,069 B1 1/2001 Plunk et al.
 D437,959 S * 2/2001 Lewis D26/76
 D442,313 S 5/2001 Wojtkowiak et al.
 D450,408 S * 11/2001 Wang D26/109
 D468,046 S 12/2002 Bernard et al.
 D468,855 S * 1/2003 Gismondi D26/109
 D474,296 S * 5/2003 Shen D26/60
 D484,998 S * 1/2004 Cvek D26/65
 D488,248 S * 4/2004 Toyoaki et al. D26/65
 D500,380 S * 12/2004 Chen D26/65
 6,942,361 B1 9/2005 Kishimura et al.
 D545,477 S * 6/2007 DeBruyne et al. D26/76
 D555,272 S * 11/2007 Iai et al. D26/62
 D563,583 S * 3/2008 Iai et al. D26/65
 7,347,706 B1 3/2008 Wu et al.
 D566,872 S * 4/2008 Michel D26/62
 D567,425 S * 4/2008 Yates D26/76

D568,520 S * 5/2008 Castellucci et al. D26/65
 D569,540 S 5/2008 Bourgeois et al.
 D570,521 S * 6/2008 Belleau D26/85
 D578,697 S * 10/2008 Zheng et al. D26/71
 D595,885 S 7/2009 Daidone et al.
 D598,597 S 8/2009 Lu et al.
 D598,598 S 8/2009 Zhou et al.
 D599,048 S 8/2009 Xiao et al.
 D599,929 S * 9/2009 Huang D26/63
 D610,287 S 2/2010 Gill
 D611,648 S 3/2010 Coplin et al.
 D612,525 S * 3/2010 Huang D26/63
 2008/0298051 A1 12/2008 Chu
 2009/0040750 A1 2/2009 Myer

FOREIGN PATENT DOCUMENTS

WO 2006118457 A1 11/2006
 WO 2009013317 A1 1/2009

OTHER PUBLICATIONS

F.S. Maxik, et al. "Pole For a Street Light Luminaire" co-pending patent application filed Feb. 19, 2010; U.S. Appl. No. 29/356,102.
 "New York architect firm, LSG to build prototype LED streetlights", LEDs Magazine, PennWell, Aug. 2008, [http:// www.ledsmagazine.com/news/5/8/23](http://www.ledsmagazine.com/news/5/8/23), accessed Apr. 20, 2010.
 Tim Whitaker, "LED design wins New York City streetlight competition", LEDs Magazine, PennWell, Dec. 2004, <http://www.ledsmagazine.com/features/1/12/2>, accessed Apr. 20, 2010.
 Erica A. Taub, "Lighting the Big Apple with L.E.D.S.'s.", New York Times, Aug. 20, 2008, <http://bits.blogs.nytimes.com/2008/08/20/lighting-the-big-apple-with-leds/?pagemode=print>, accessed Apr. 20, 2010.
 Jerry James Stone, "New York City to Get LED Street Lighting", Red Green and Blue, Dec. 20, 2008, <http://redgreenandblue.org/2008/12/20/new-york-city-to-get-led-street-lighting/>, accessed Apr. 20, 2008.
 J.M. Sundin, et al. "Elegant Solution; New Street Light for New York City/USA" Professional Lighting Design Magazine for Professional Lighting Design (Nov./Dec.-2004); pp. 44-47 No. 40.

* cited by examiner

FIG. 1

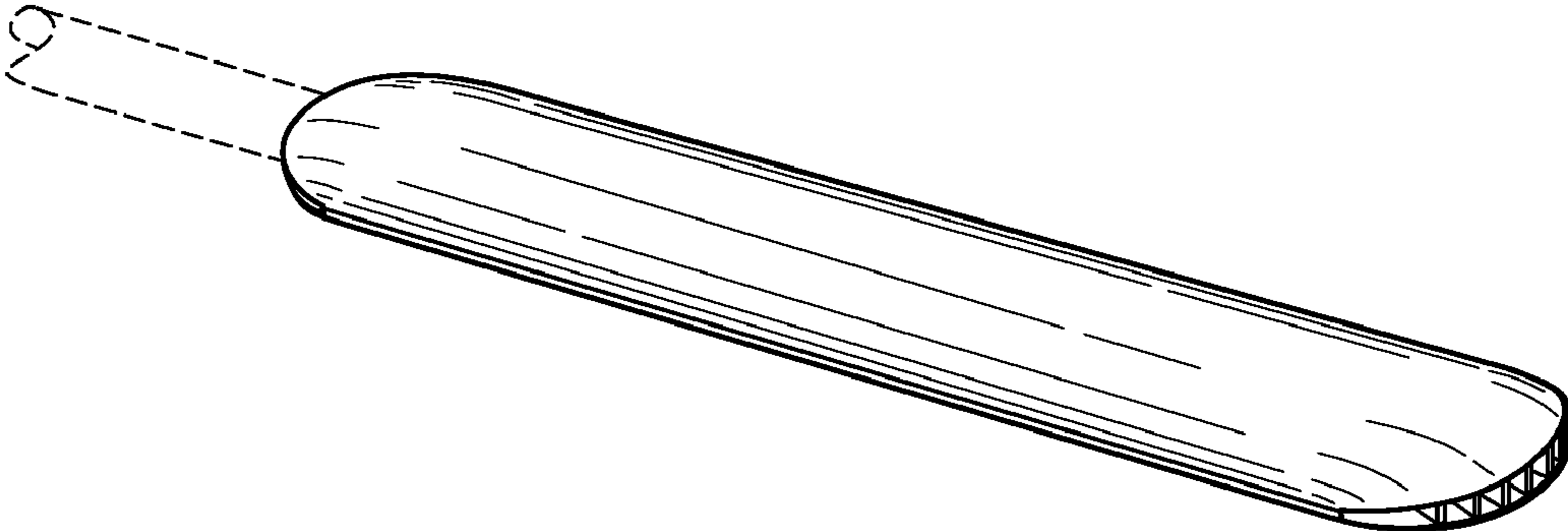


FIG. 2

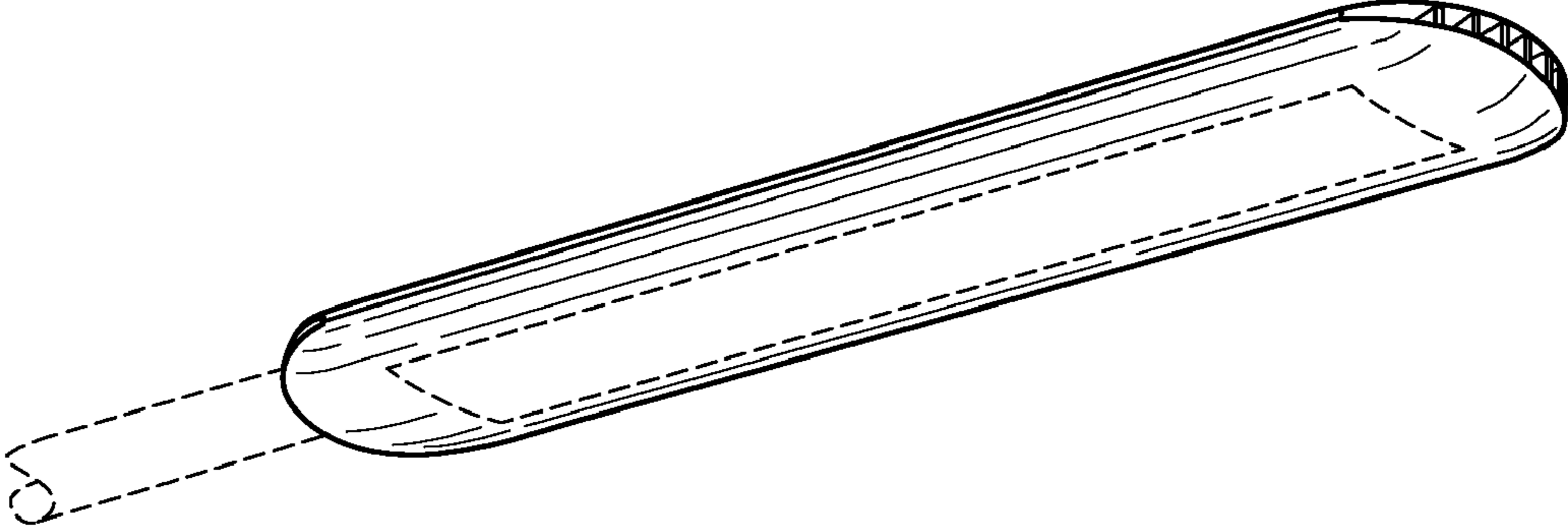


FIG. 3

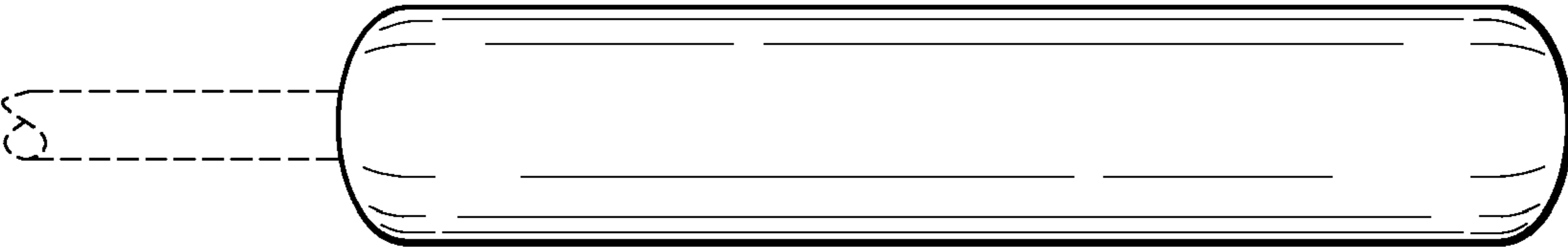


FIG. 4



FIG. 5



FIG. 6

