



US00D632418S

(12) **United States Design Patent**
Bisberg et al.

(10) **Patent No.:** **US D632,418 S**
(45) **Date of Patent:** **** Feb. 8, 2011**

- (54) **HIGH BAY LED LIGHT FIXTURE**
- (75) Inventors: **Jeffrey Bisberg**, Boulder, CO (US);
Peter Van Laanen, Boulder, CO (US);
Neil Cannon, Eldorado Springs, CO (US);
Tracy Earles, Boulder, CO (US);
Christopher Wilke, Louisville, CO (US)
- (73) Assignee: **AlbEO Technologies, Inc.**, Boulder, CO (US)
- (**) Term: **14 Years**
- (21) Appl. No.: **29/325,189**
- (22) Filed: **Sep. 26, 2008**
- (51) **LOC (9) Cl.** **26-03**
- (52) **U.S. Cl.** **D26/76**
- (58) **Field of Classification Search** D26/24,
D26/67, 72, 75-78, 88; 362/147, 294.02,
362/373, 217.01, 218
See application file for complete search history.

(56) **References Cited**

U.S. PATENT DOCUMENTS

D123,887 S	12/1940	Koehler	
D127,398 S	5/1941	Jordan	
D130,570 S	12/1941	Borkland	
2,312,617 A *	3/1943	Beck	362/221
D150,735 S	8/1948	Schwartz et al.	
D151,575 S	10/1948	Winkler et al.	
2,606,998 A	8/1952	Wyman et al.	
D173,255 S	10/1954	Brooks et al.	
2,715,449 A	8/1955	Smith	
D188,436 S	7/1960	Budke et al.	
3,009,055 A *	11/1961	Franzese	362/217.07
3,209,142 A *	9/1965	Michel et al.	362/236
D208,491 S	9/1967	Brooks, Jr.	
D255,851 S *	7/1980	Crane	D6/514

D291,598 S 8/1987 Elkerbout
4,726,781 A 2/1988 Bernhart et al.

(Continued)

OTHER PUBLICATIONS

Selected Pages from Image File Wrapper of U.S. Appl. No. 29/318,648, dated May 23, 2008 through Mar. 16, 2009, 23 pages.

(Continued)

Primary Examiner—Clare E Heflin

(74) *Attorney, Agent, or Firm*—Lathrop & Gage LLP

(57) **CLAIM**

The ornamental design for a high bay LED light fixture, as shown and described.

DESCRIPTION

FIG. 1 is a perspective view of the high bay LED light fixture, showing the new design;

FIG. 2 is an end elevation of the high bay LED light fixture, enlarged relative to the view shown in FIG. 1, an opposing end elevation of the high bay LED light fixture being identical;

FIG. 3 is a side elevation of the high bay LED light fixture, an opposing side elevation of the high bay LED light fixture being a mirror image thereof;

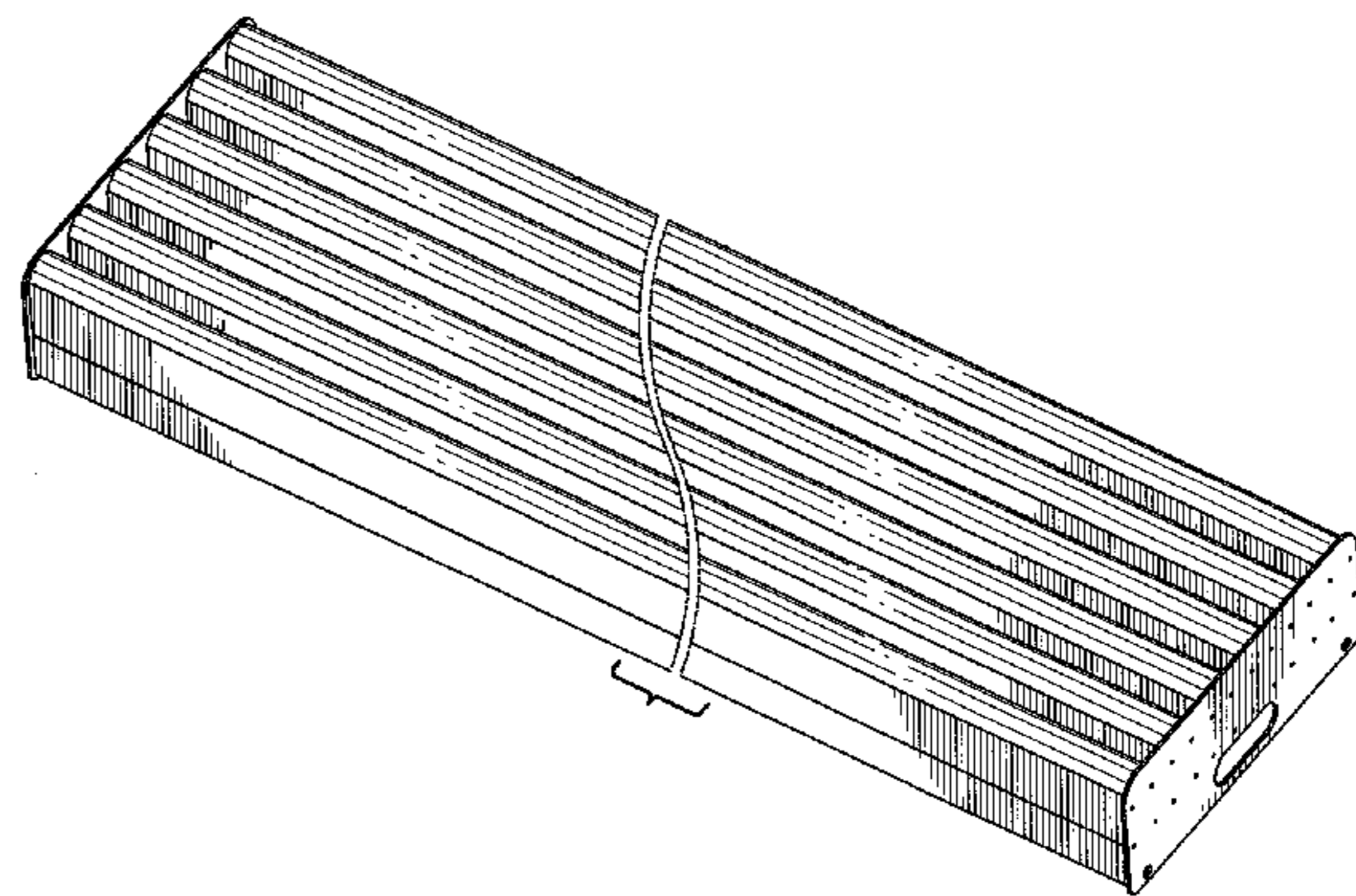
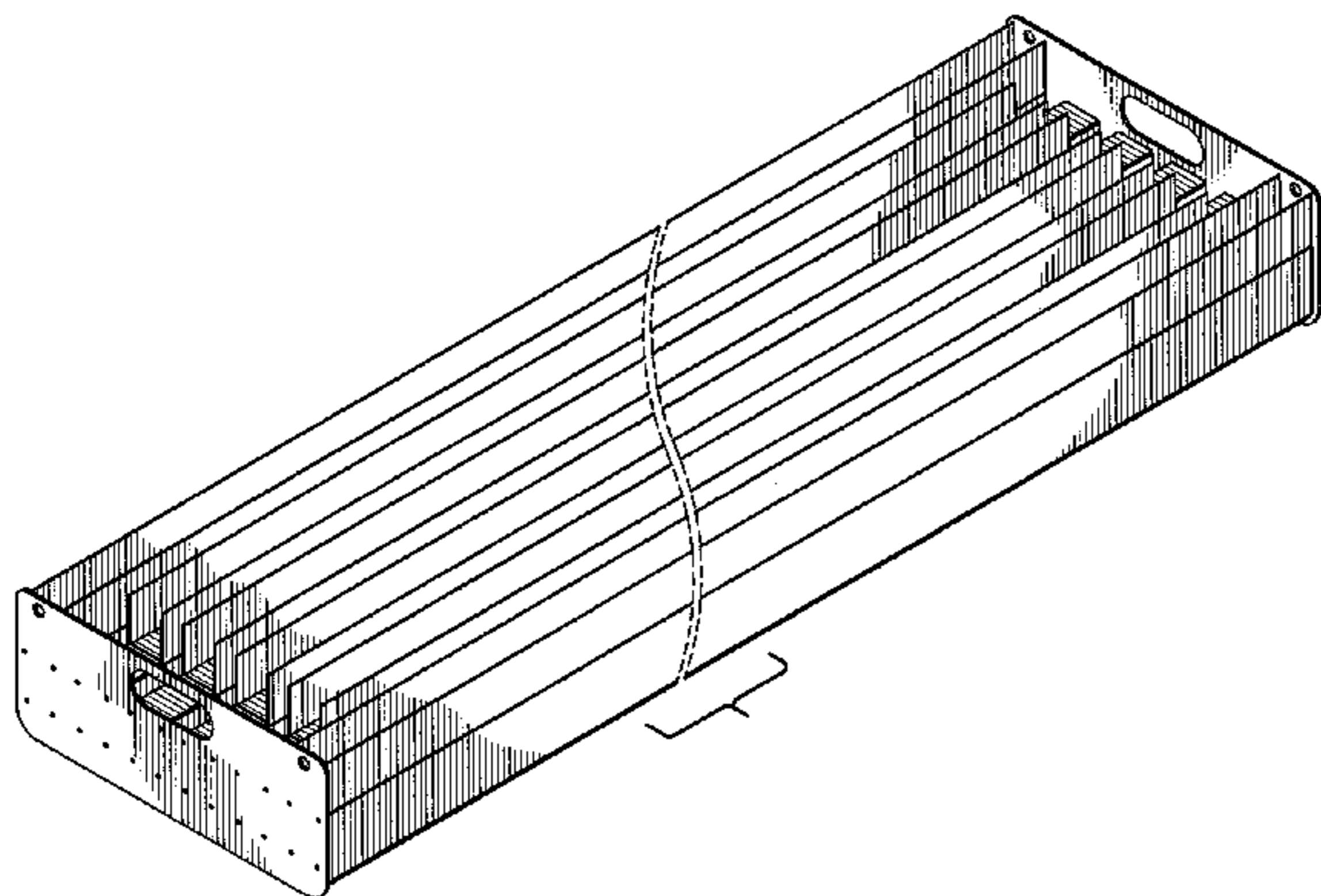
FIG. 4 is a top plan view of the high bay LED light fixture;

FIG. 5 is a bottom plan view of the high bay LED light fixture of FIG. 1; and,

FIG. 6 is a bottom perspective view of the high bay LED light fixture.

In FIG. 1, FIG. 3, FIG. 4, FIG. 5 and FIG. 6, breaks and an accompanying bracket indicate that the fixture has no specific length, and dashed lines indicate environmental structure that forms no part of the claimed design.

1 Claim, 6 Drawing Sheets



US D632,418 S

Page 2

U.S. PATENT DOCUMENTS

5,803,589	A *	9/1998	Lee	362/225	D592,785	S *	5/2009	Bisberg et al.	D26/76
6,076,943	A	6/2000	Lassovsky		D592,786	S *	5/2009	Bisberg et al.	D26/76
D463,059	S *	9/2002	Verfuert	D26/78	7,628,506	B2 *	12/2009	Verfuert et al.	362/218
D472,007	S	3/2003	Weitgasser		D609,386	S *	2/2010	Castelli	D26/76
6,585,396	B1 *	7/2003	Verfuert	362/260	7,793,447	B2 *	9/2010	Fang et al.	362/249.02
D485,635	S *	1/2004	Schuetz et al.	D26/76	2002/0181229	A1	12/2002	Wei	
D485,932	S *	1/2004	Crane	D26/76	2010/0110679	A1 *	5/2010	Teng et al.	362/235
D492,809	S	7/2004	Weitgasser		2010/0110683	A1 *	5/2010	Fang et al.	362/249.02
6,758,580	B1 *	7/2004	Verfuert	362/241	2010/0128480	A1 *	5/2010	Watanabe et al.	362/249.02
D494,700	S	8/2004	Hartman et al.		2010/0177514	A1 *	7/2010	Liu et al.	362/235
D499,504	S	12/2004	Meyer						
D521,172	S	5/2006	Chen						
7,207,690	B2 *	4/2007	Haugaard et al.	362/225					
RE40,158	E	3/2008	Weitgasser						
7,438,432	B2	10/2008	Yaphe et al.						

OTHER PUBLICATIONS

Selected Pages from Image File Wrapper of U.S. Appl. No. 29/318,524, dated May 21, 2008 through Feb. 26, 2009, 16 pages.

* cited by examiner

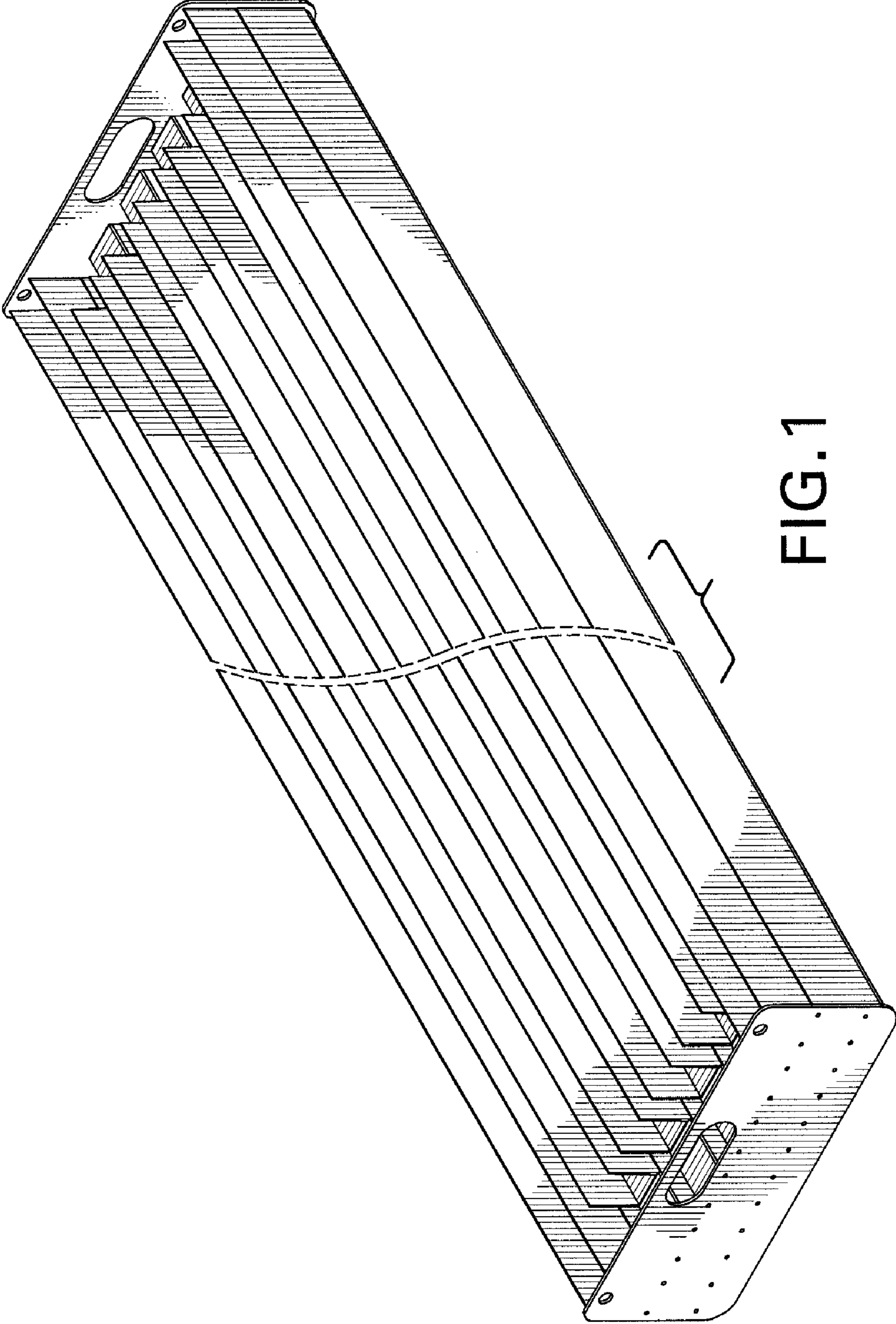


FIG. 1

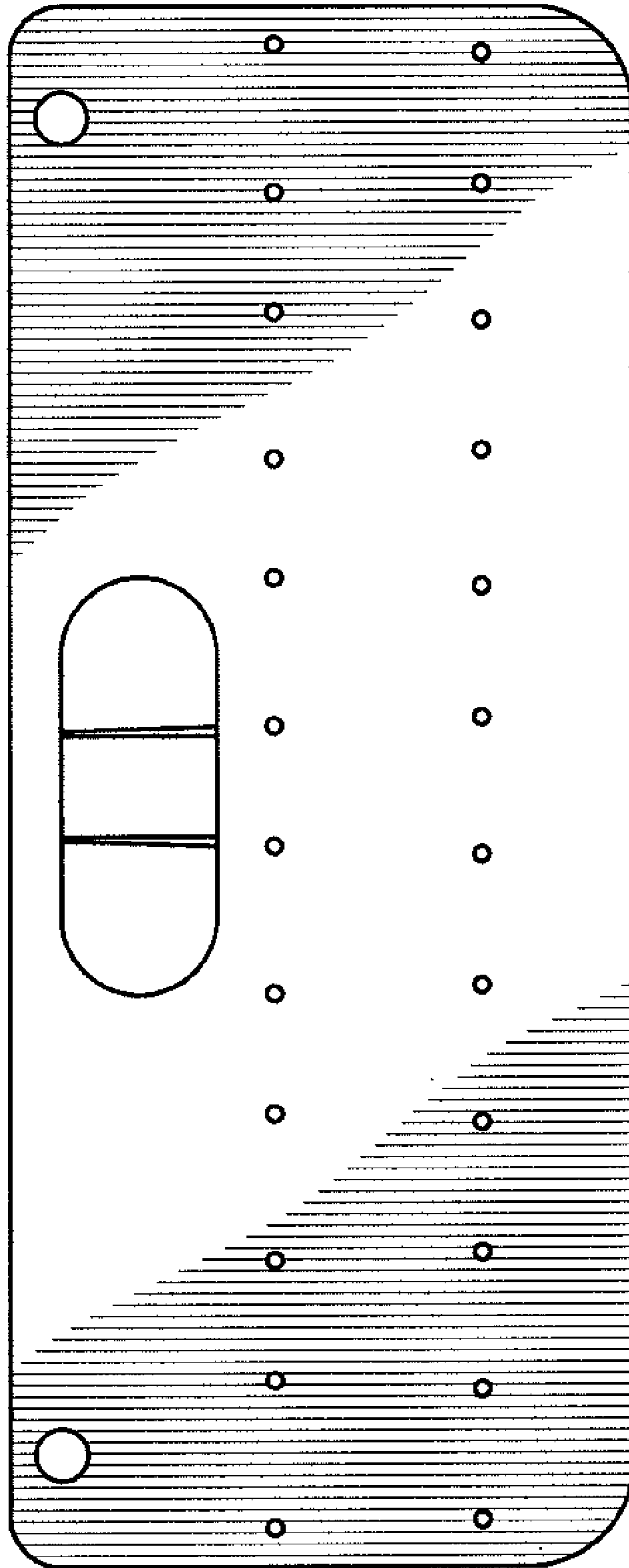


FIG. 2

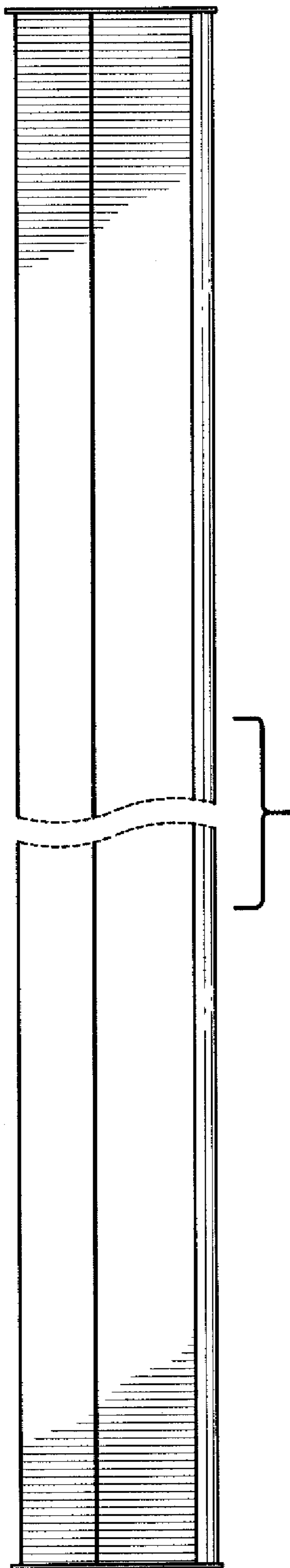


FIG. 3

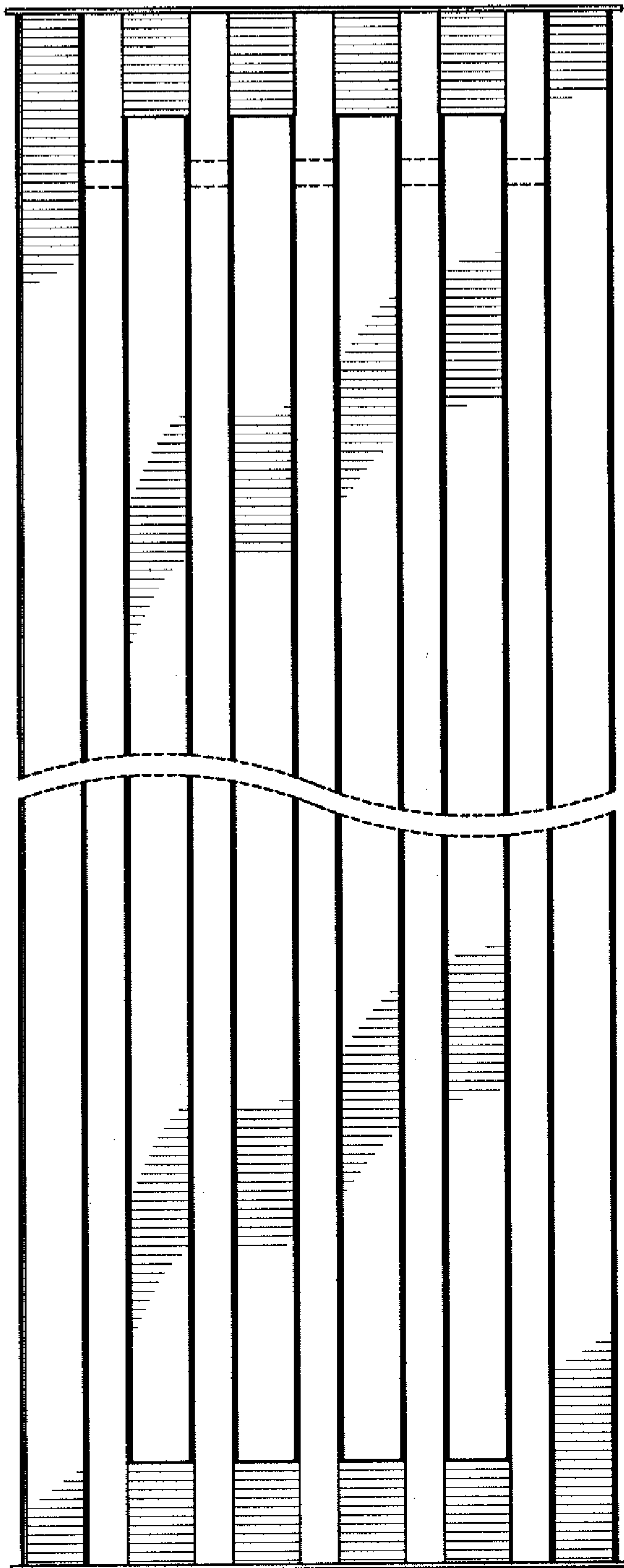


FIG. 4

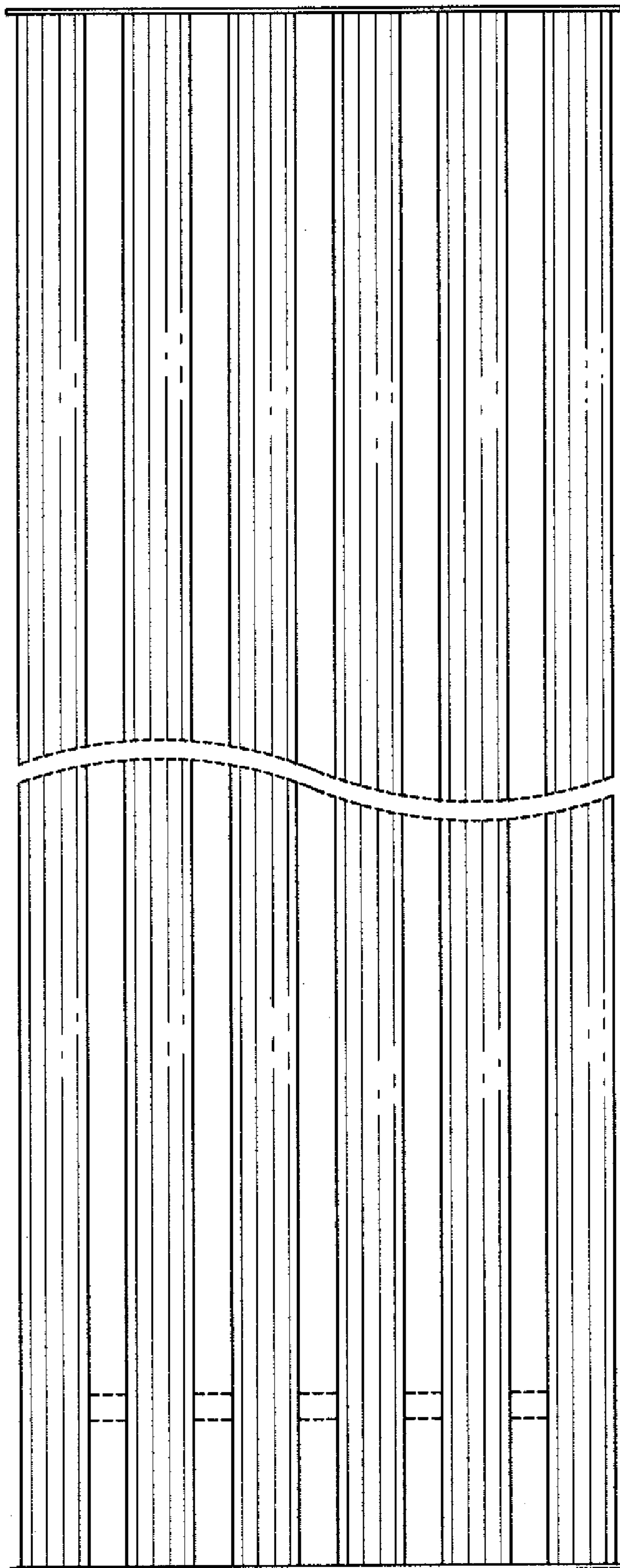


FIG. 5

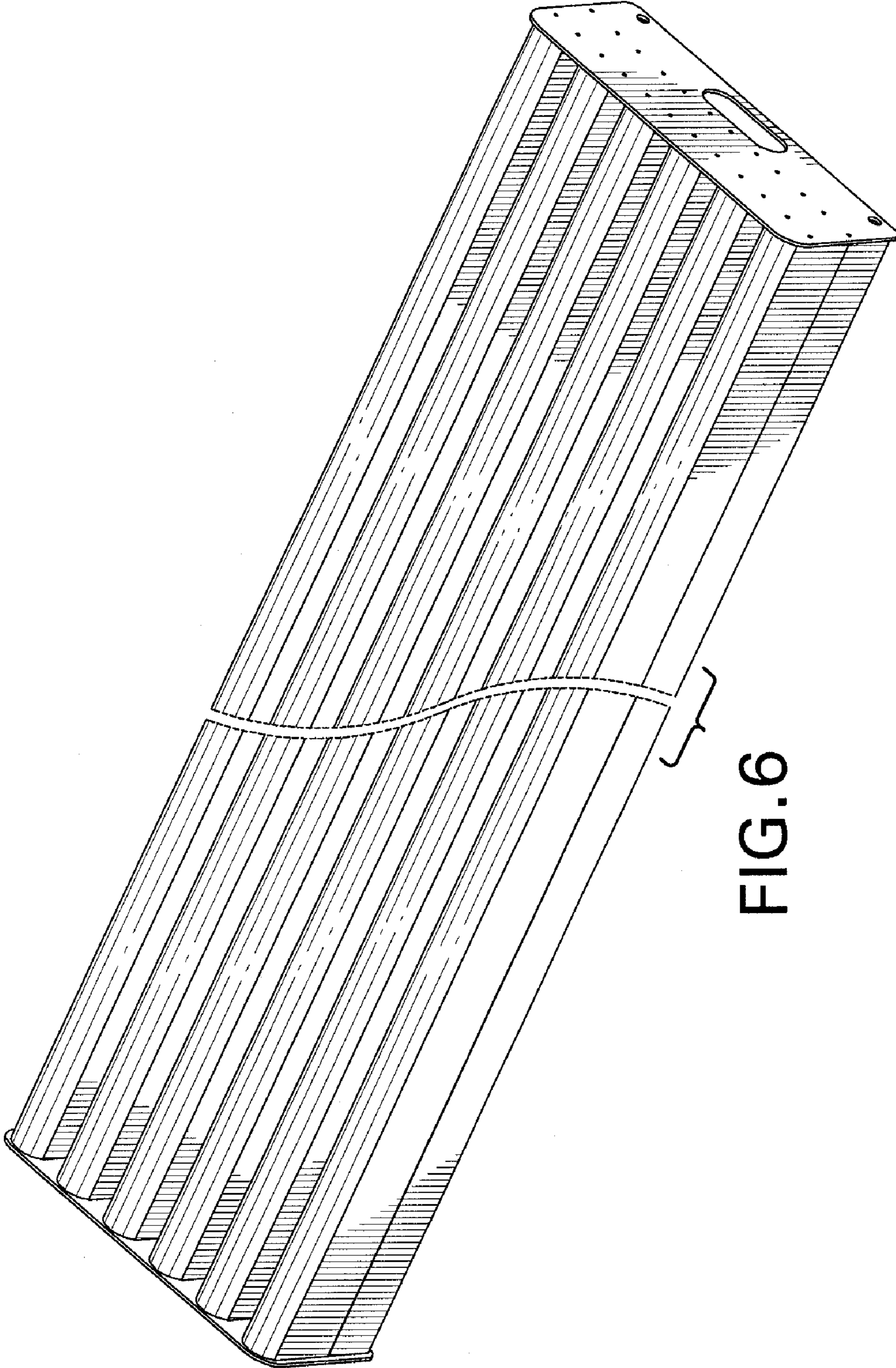


FIG. 6